



US00D486847S

(12) **United States Design Patent**
Uehara

(10) **Patent No.:** **US D486,847 S**

(45) **Date of Patent:** **** Feb. 17, 2004**

(54) **VIDEO CAMERA**

D339,365 S * 9/1993 Urculio D16/203

(75) Inventor: **Mitsuhiro Uehara**, Tokyo (JP)

* cited by examiner

(73) Assignee: **Sony Corporation**, Tokyo (JP)

Primary Examiner—Adir Aronovich
(74) *Attorney, Agent, or Firm*—Rader, Fishman & Grauer
PLLC

(**) Term: **14 Years**

(21) Appl. No.: **29/179,296**

(57) **CLAIM**

(22) Filed: **Apr. 9, 2003**

The ornamental design for a video camera, as shown.

(51) **LOC (7) Cl.** **16-01**

DESCRIPTION

(52) **U.S. Cl.** **D16/203; D16/202**

FIG. 1 is a perspective view of a video camera showing my new design;

(58) **Field of Search** D16/200, 202,
D16/203, 204, 208, 217, 218; 348/373-376,
143; 396/427, 428, 535-541

FIG. 2 is a front elevational view thereof;

FIG. 3 is a rear elevational view thereof;

FIG. 4 is a left side elevational view thereof;

FIG. 5 is a right side elevational view thereof;

FIG. 6 is a top plan view thereof; and,

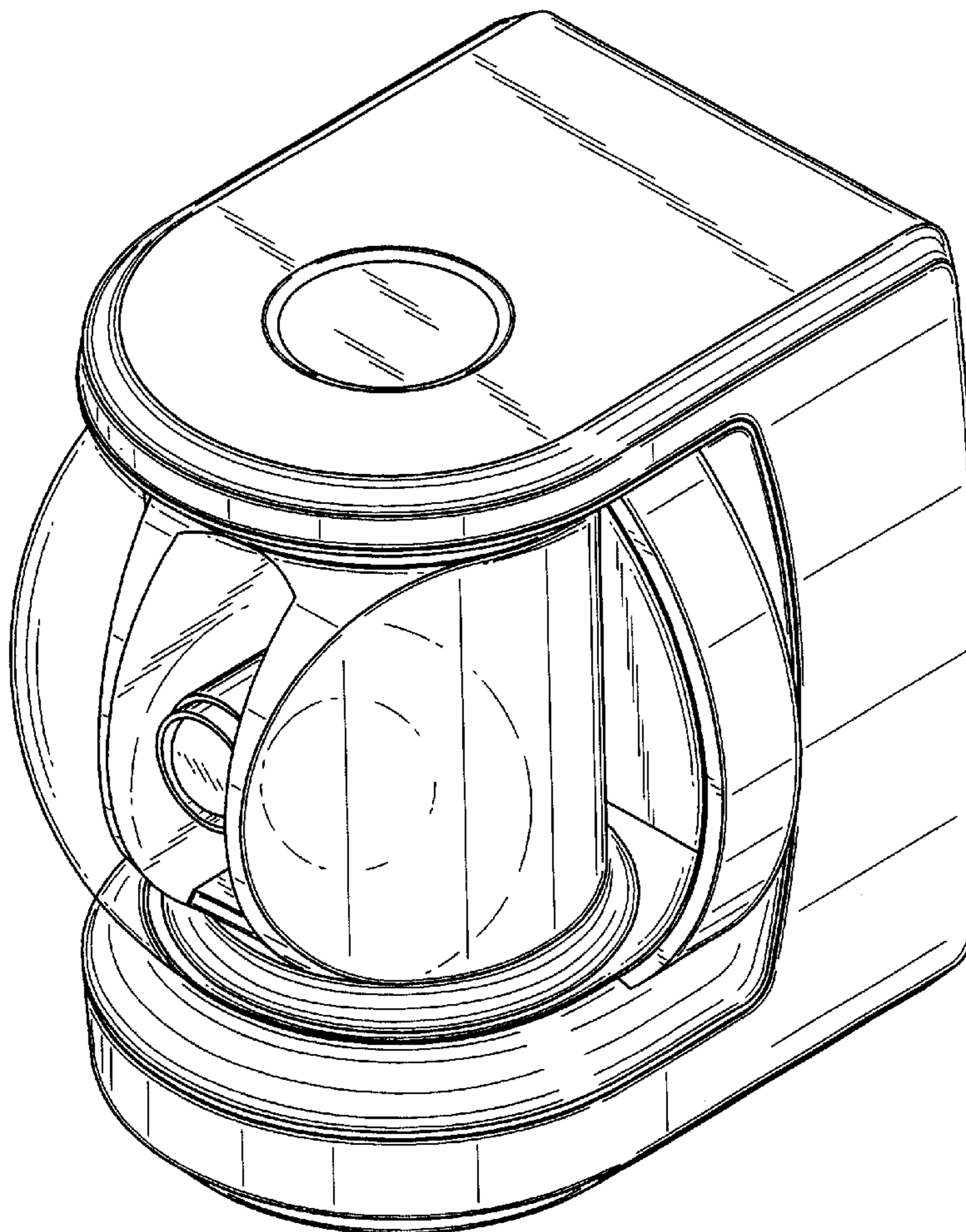
FIG. 7 is a bottom plan view thereof.

(56) **References Cited**

U.S. PATENT DOCUMENTS

- D92,830 S * 7/1934 Teague D16/217
- D248,305 S * 6/1978 Scott D16/203
- D262,117 S * 12/1981 Sasaki D16/203

1 Claim, 4 Drawing Sheets



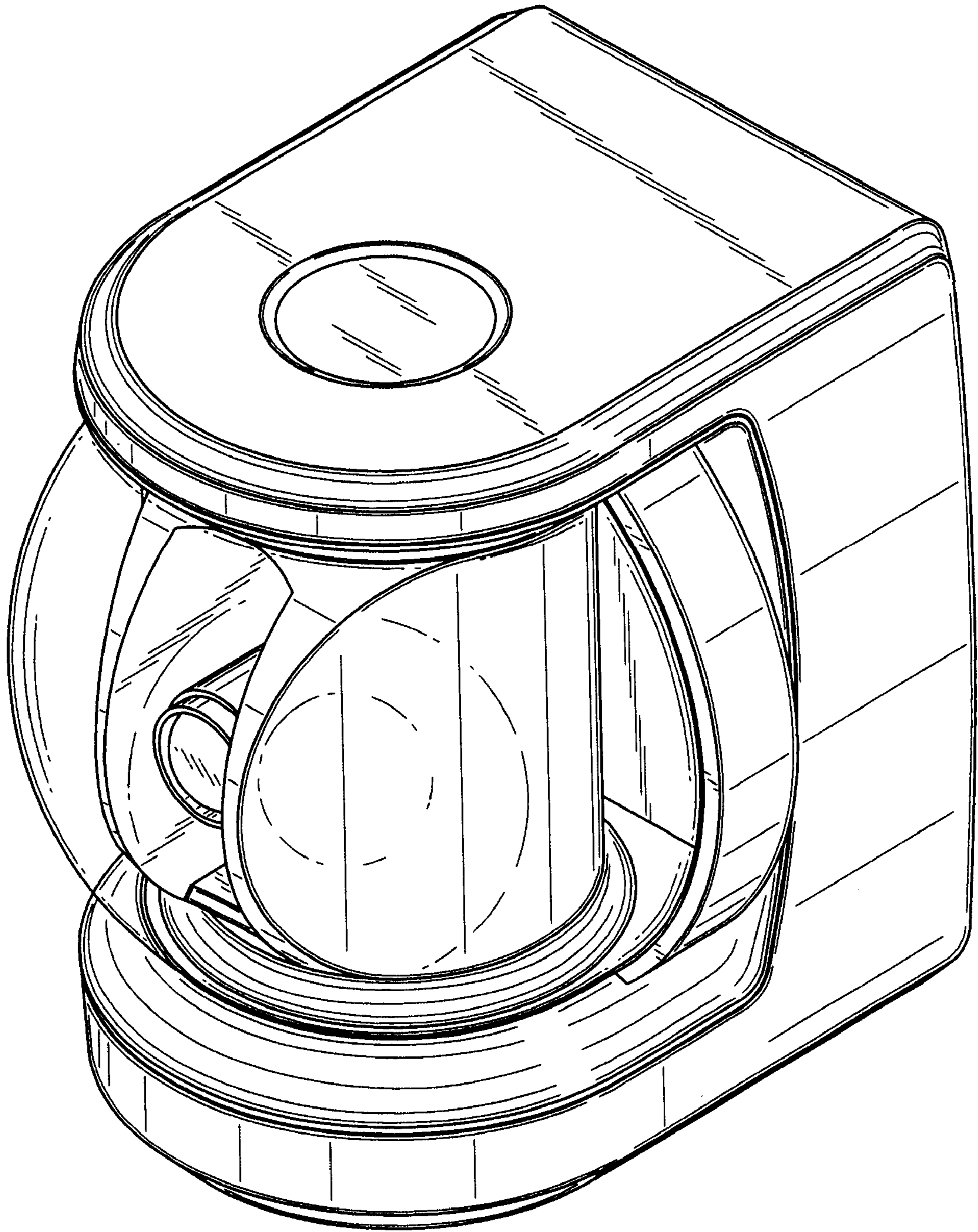


FIG. 1

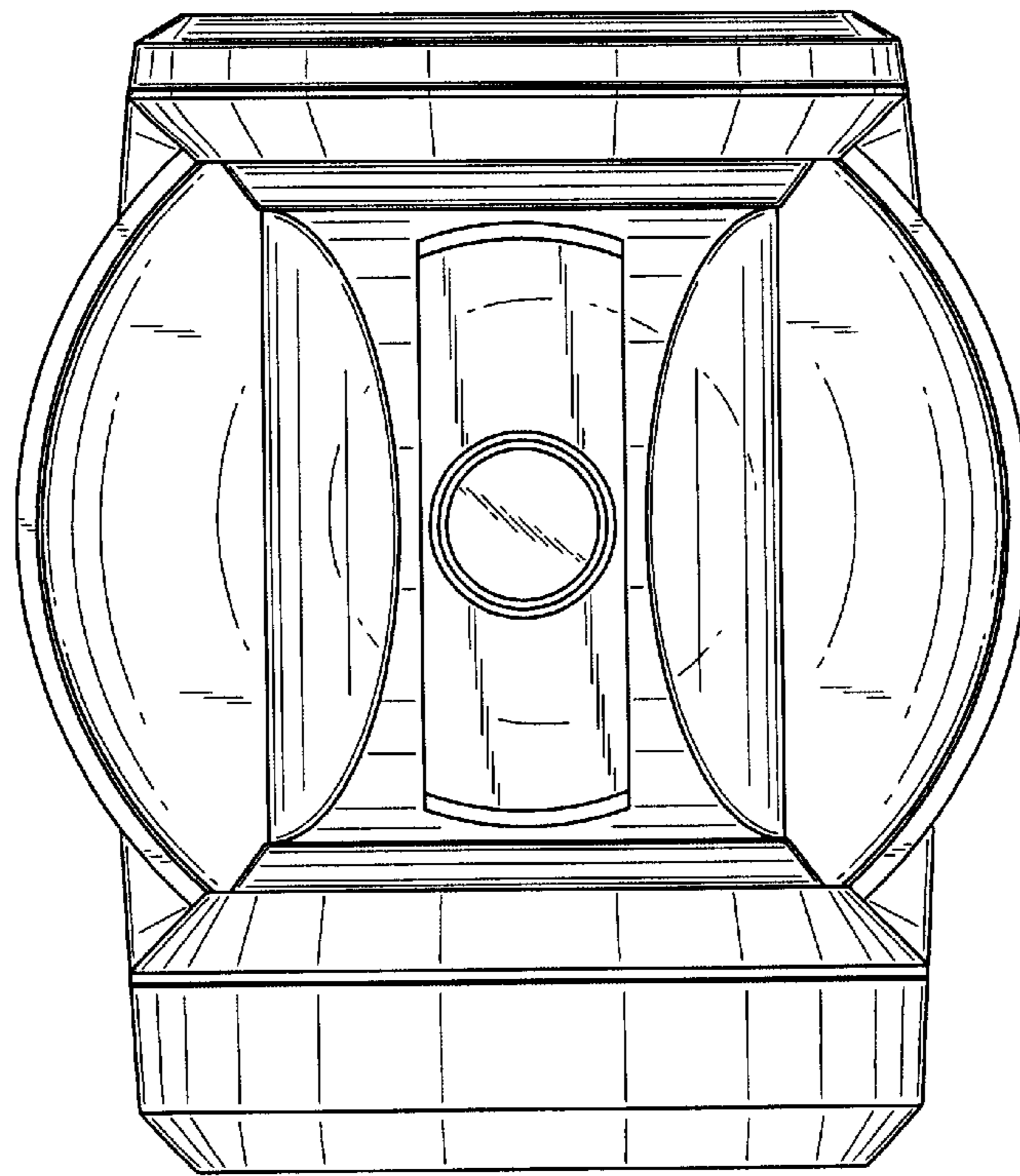


FIG. 2

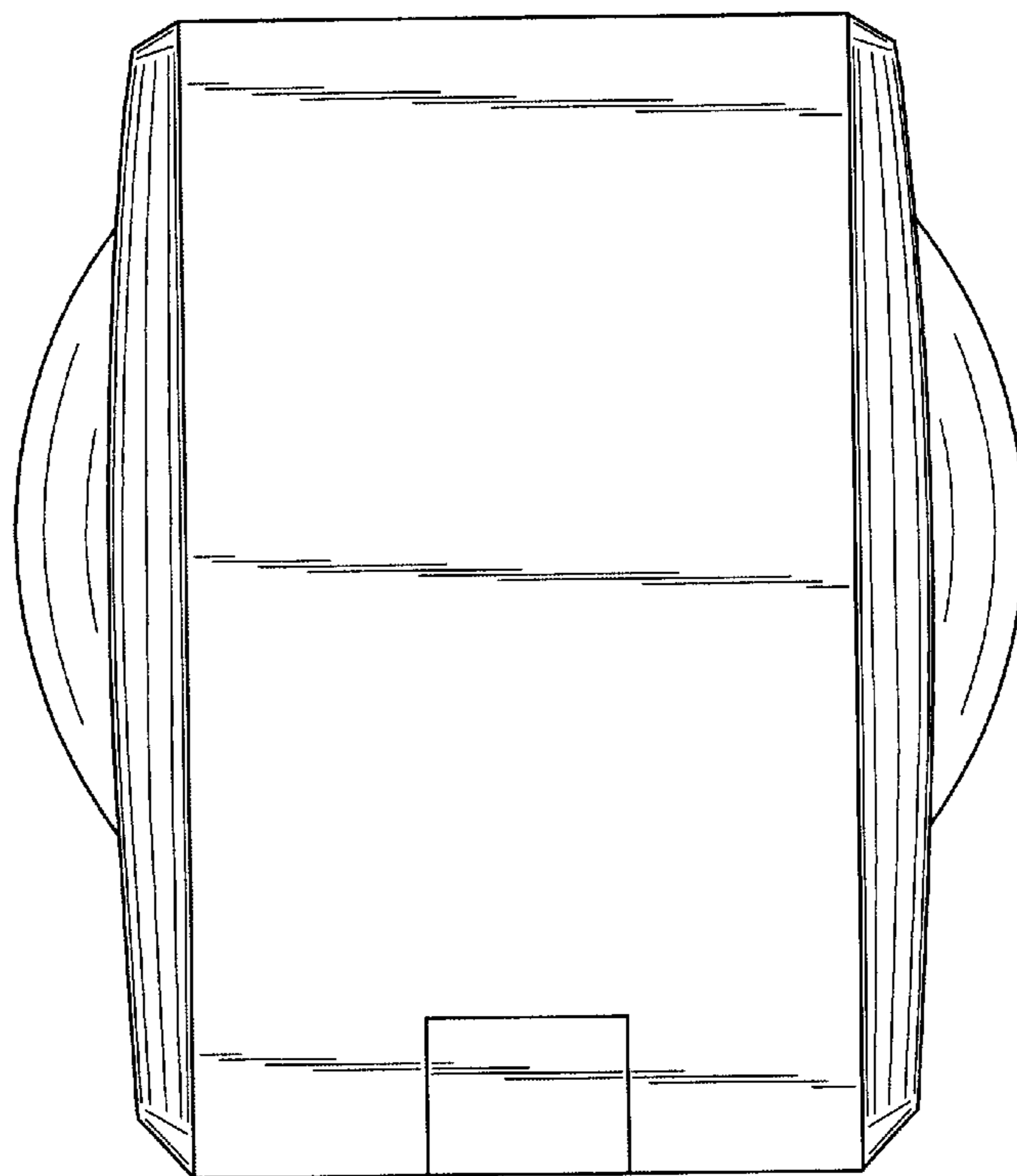


FIG. 3

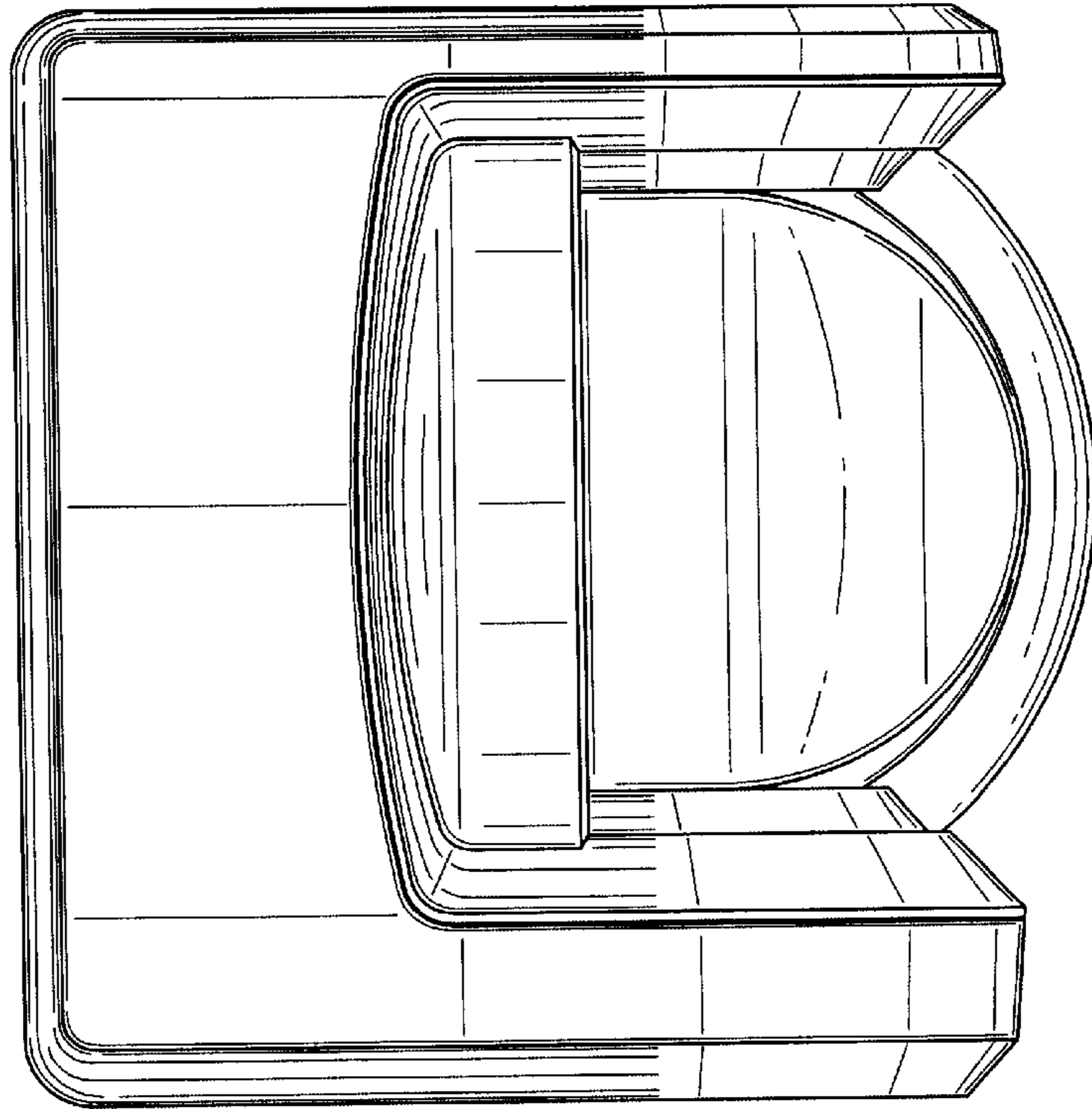


FIG. 4

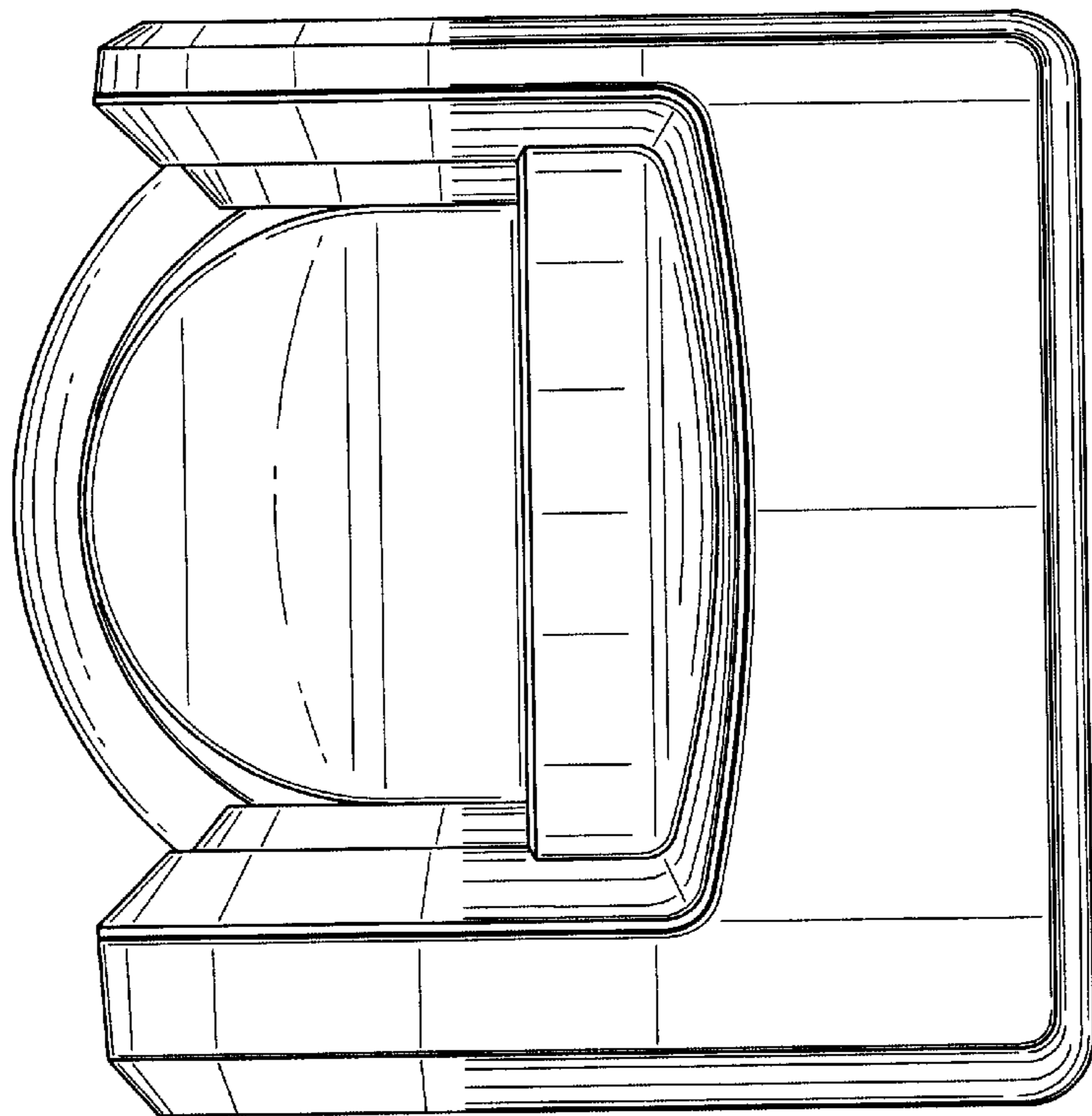


FIG. 5

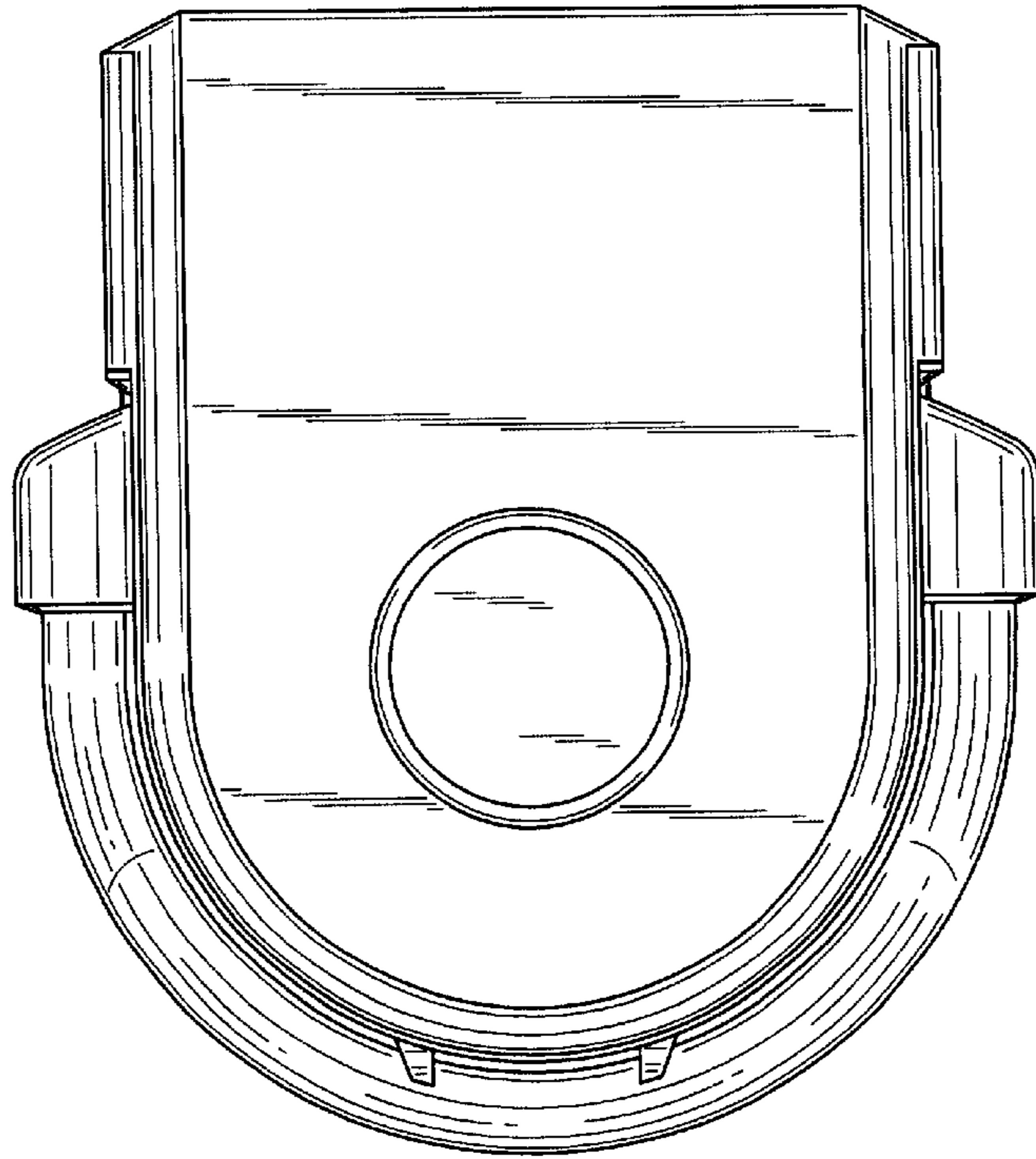


FIG. 6

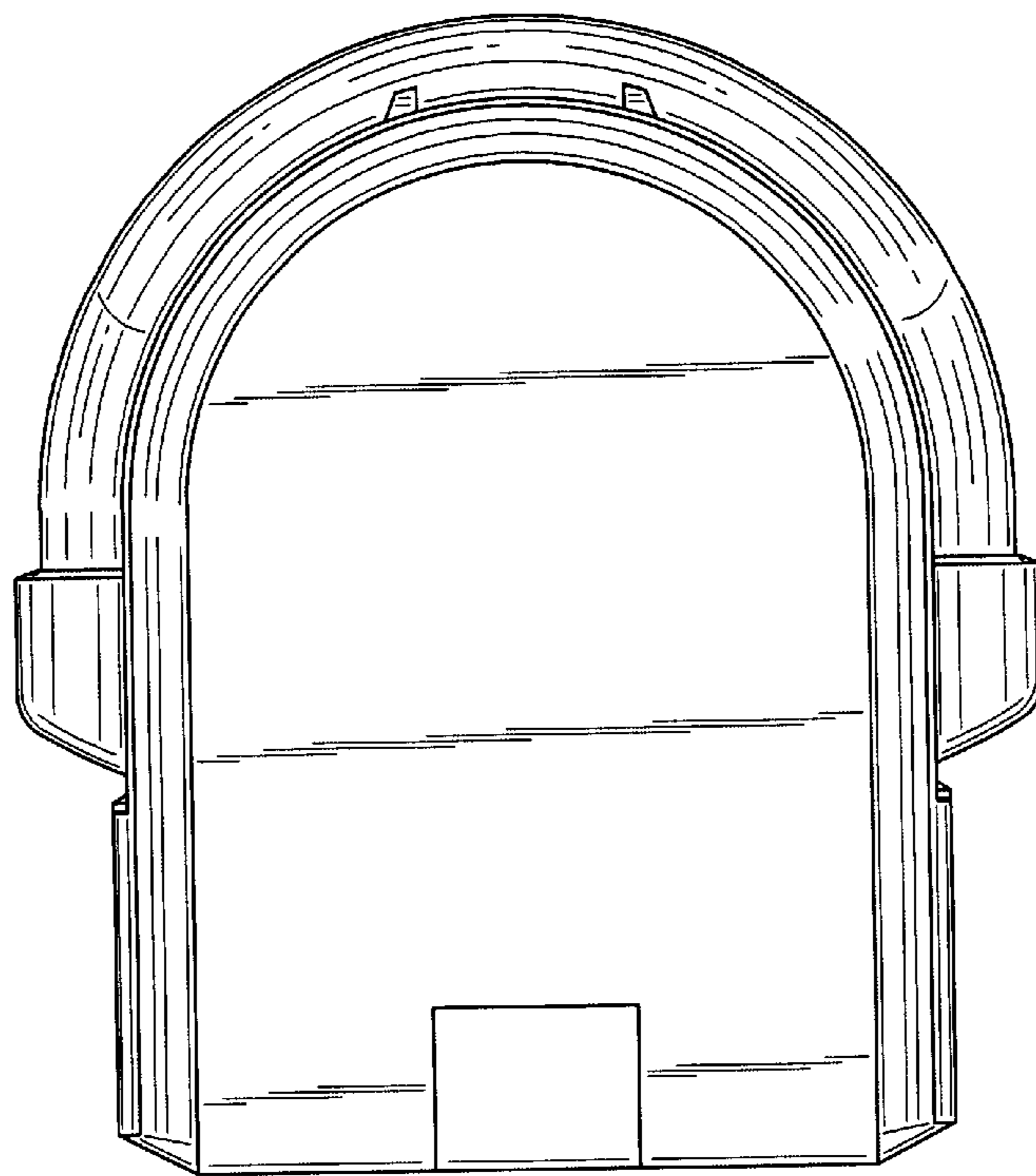


FIG. 7