



US00D486845S

(12) **United States Design Patent**
Oka

(10) **Patent No.:** **US D486,845 S**

(45) **Date of Patent:** **** Feb. 17, 2004**

(54) **VIDEO CAMERA**

(75) Inventor: **Hiroki Oka**, Tokyo (JP)

(73) Assignee: **Sony Corporation**, Tokyo (JP)

(**) Term: **14 Years**

(21) Appl. No.: **29/180,082**

(22) Filed: **Apr. 21, 2003**

(51) **LOC (7) Cl.** **16-01**

(52) **U.S. Cl.** **D16/202**

(58) **Field of Search** **D16/200-205,**
D16/208, 218; 348/373-376; 396/535-541

(56) **References Cited**

U.S. PATENT DOCUMENTS

D298,134 S	*	10/1988	Mori	D16/202
D314,782 S	*	2/1991	Hong	D16/202
D316,554 S	*	4/1991	Ooi et al.	D16/202
D350,552 S	*	9/1994	Cha	D16/202
D412,515 S		8/1999	Oka		

OTHER PUBLICATIONS

Video Review, Jan. 1987 p. 36 (Aiwa camcorder).
Web page "AV Watch, NAB2002 Real Time Report," <http://www.watch.impress.co.jp/av/docs/20020409/nab01.html>, 3 sheets, Impress Corporation (Feb. 2003).

Web page "Broadcast," <http://www.ikegami.co.jp/broadcast/products/editcam2.html>, 1 sheet, Ikegami Tsushinki Co., Ltd., (Feb. 2003).

* cited by examiner

Primary Examiner—Adir Aronovich
(74) *Attorney, Agent, or Firm*—Rader, Fishman & Grauer PLLC

(57) **CLAIM**

The ornamental design for a video camera, as shown.

DESCRIPTION

FIG. 1 is a perspective view of a video camera showing my new design;

FIG. 2 is a front elevational view thereof;

FIG. 3 is a rear elevational view thereof;

FIG. 4 is a left side elevational view thereof;

FIG. 5 is a right side elevational view thereof;

FIG. 6 is a top plan view thereof; and,

FIG. 7 is a bottom plan view thereof.

1 Claim, 4 Drawing Sheets

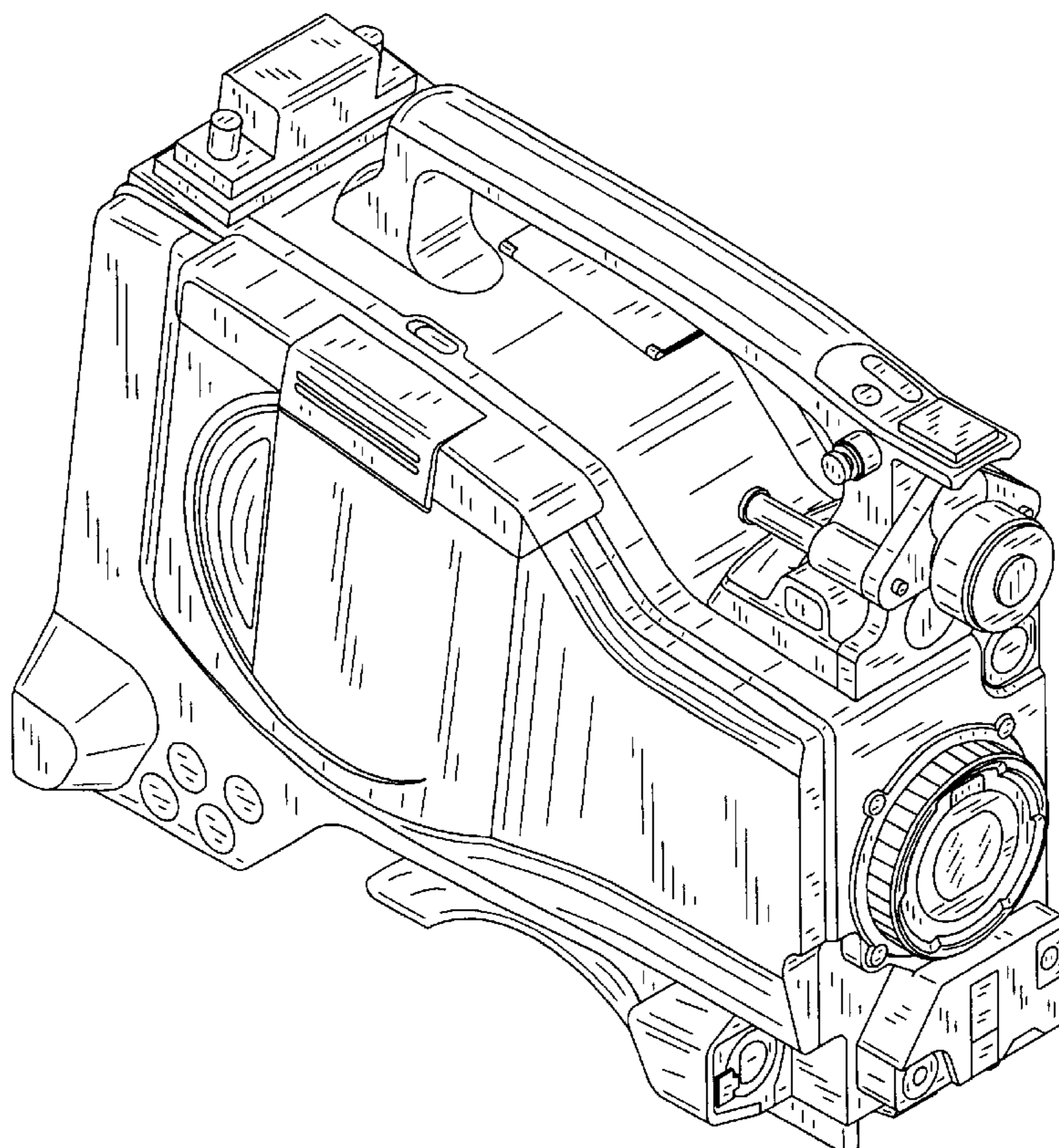


FIG. 1

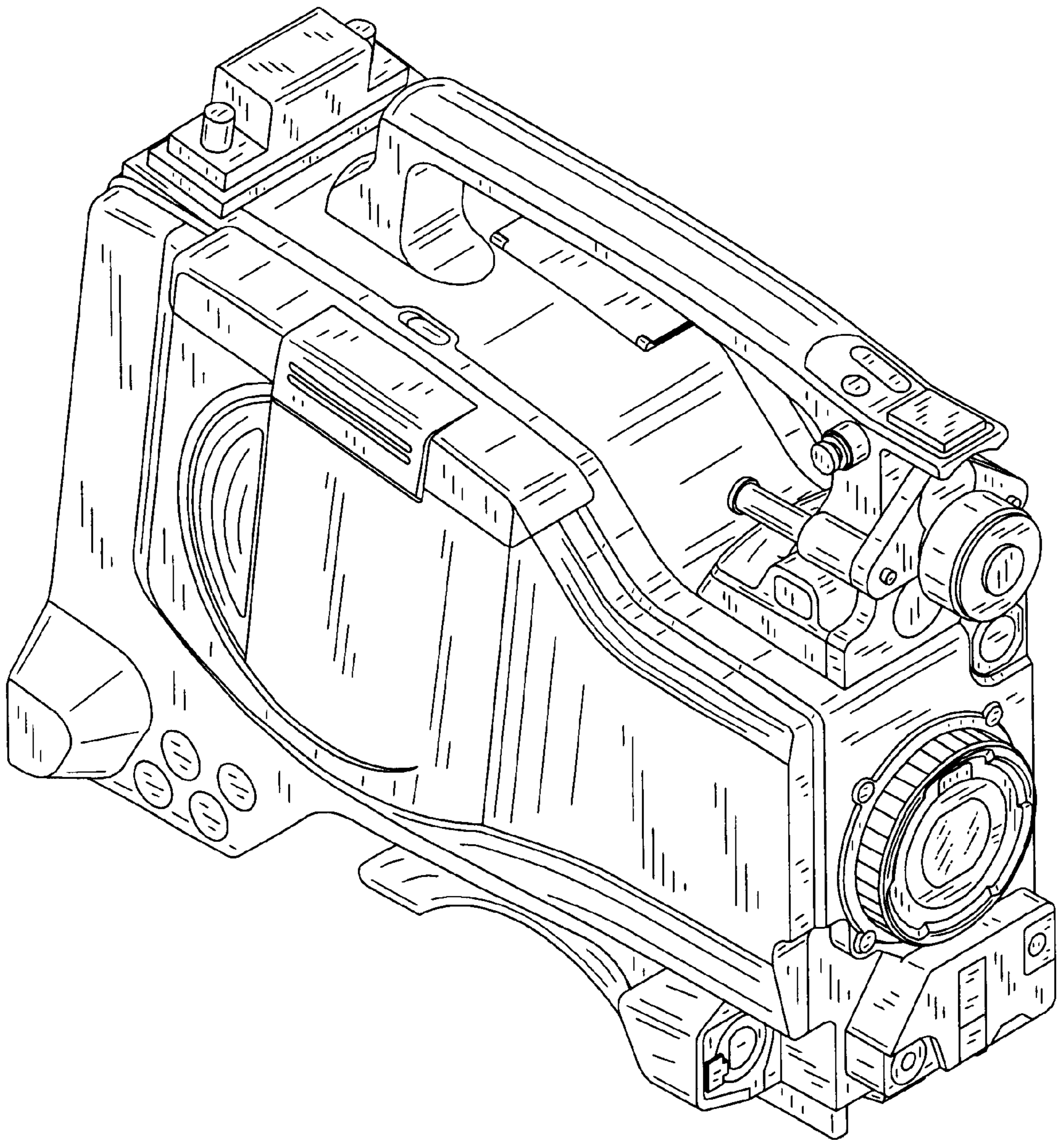


FIG. 2

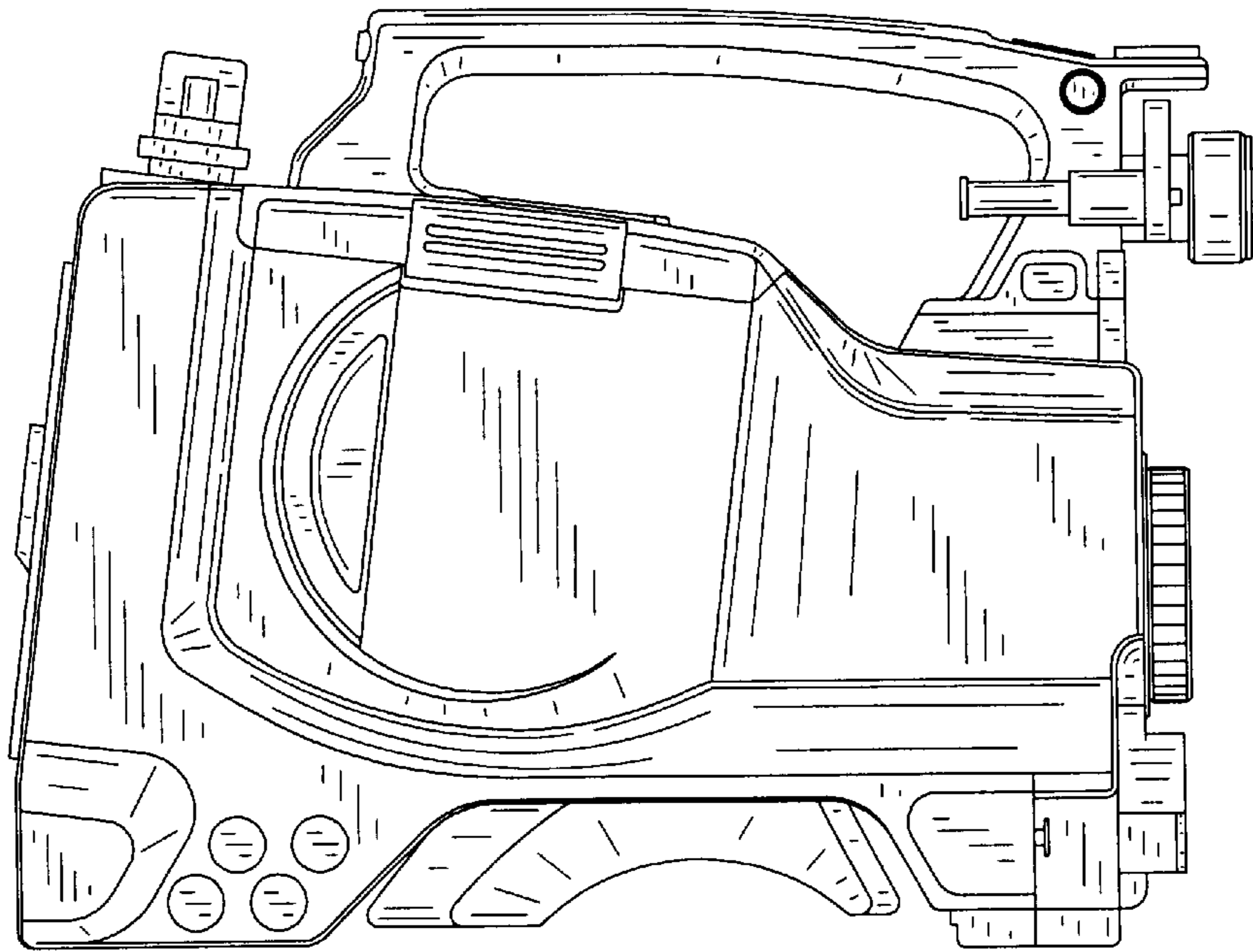


FIG. 3

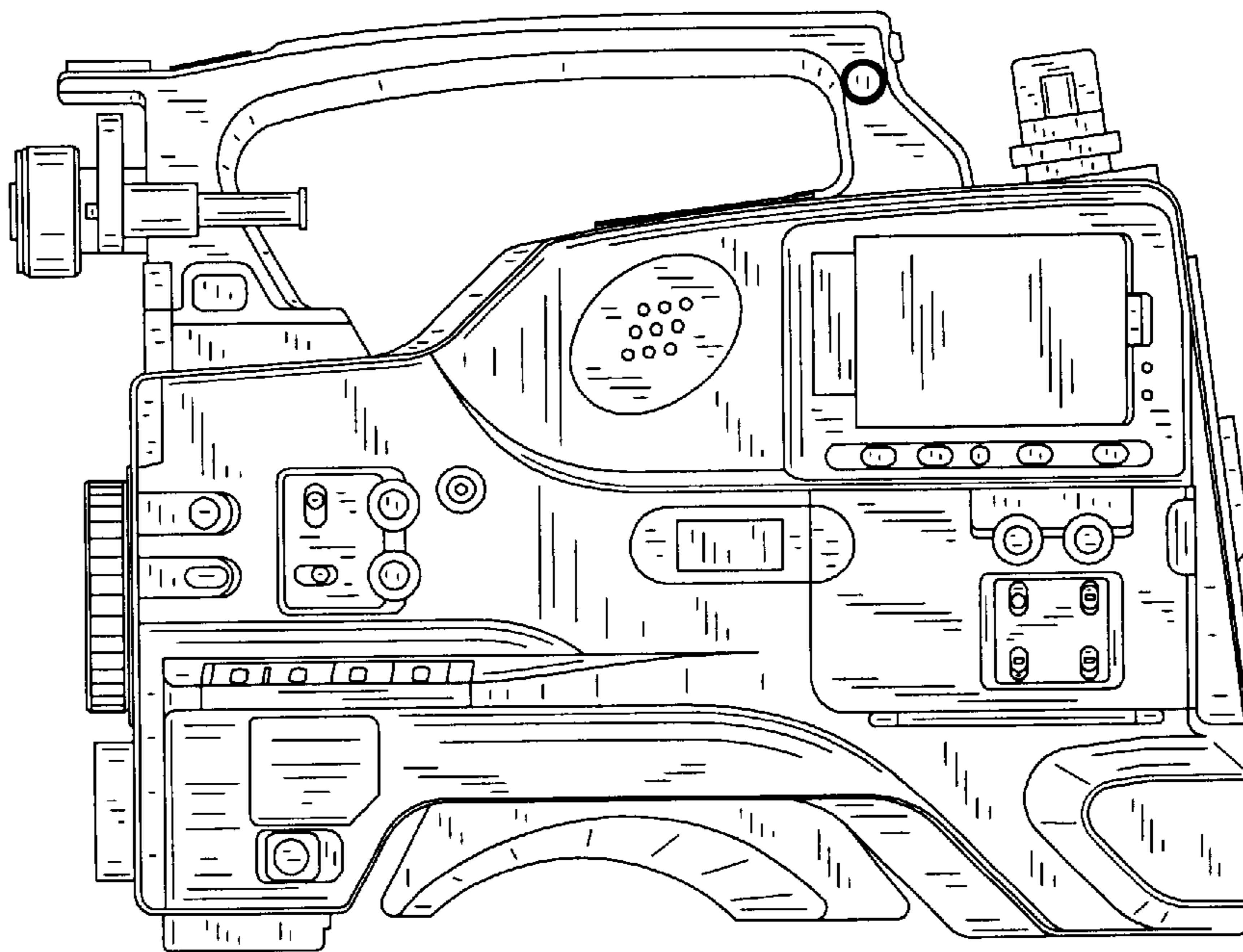


FIG. 4

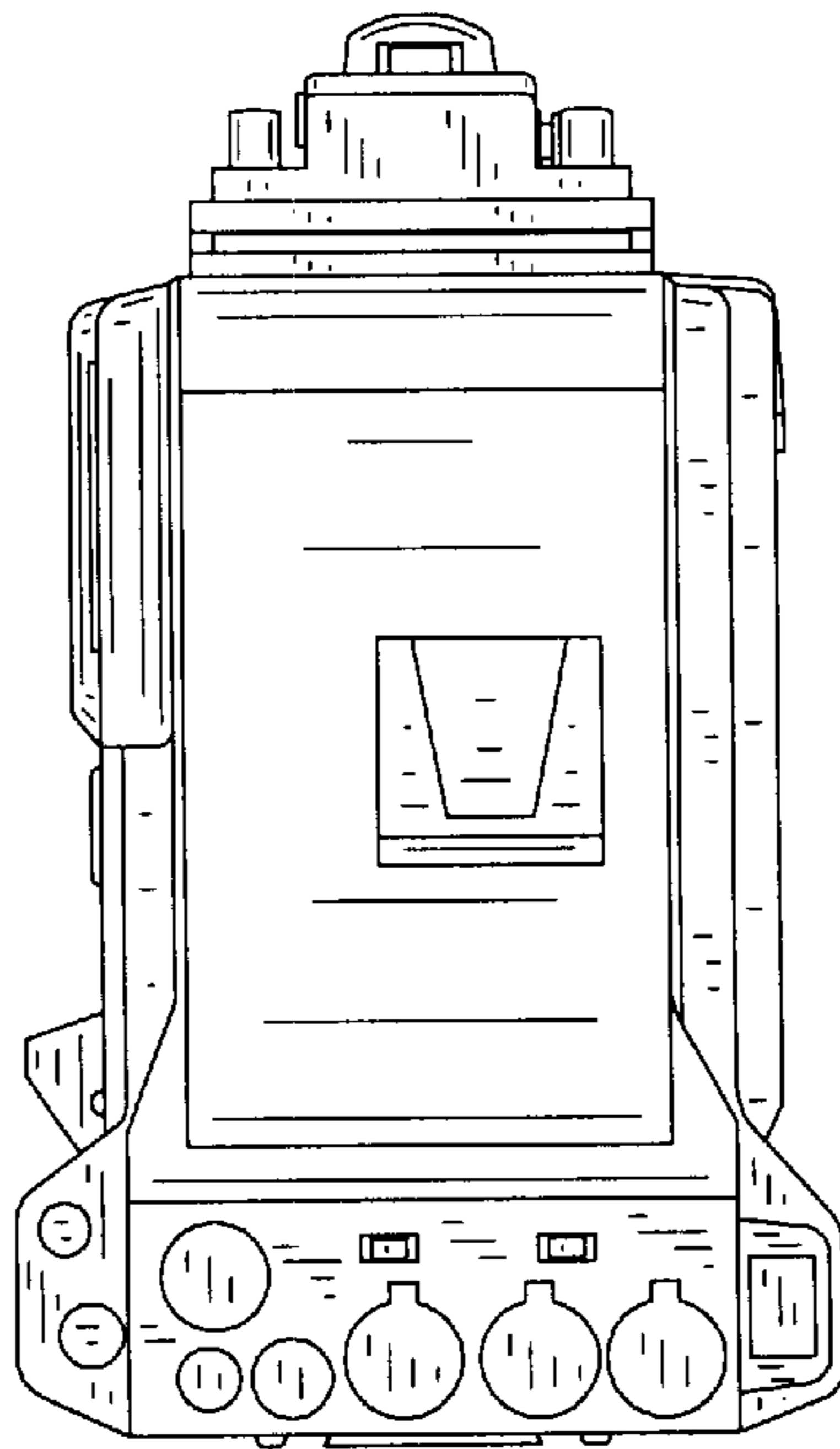


FIG. 5

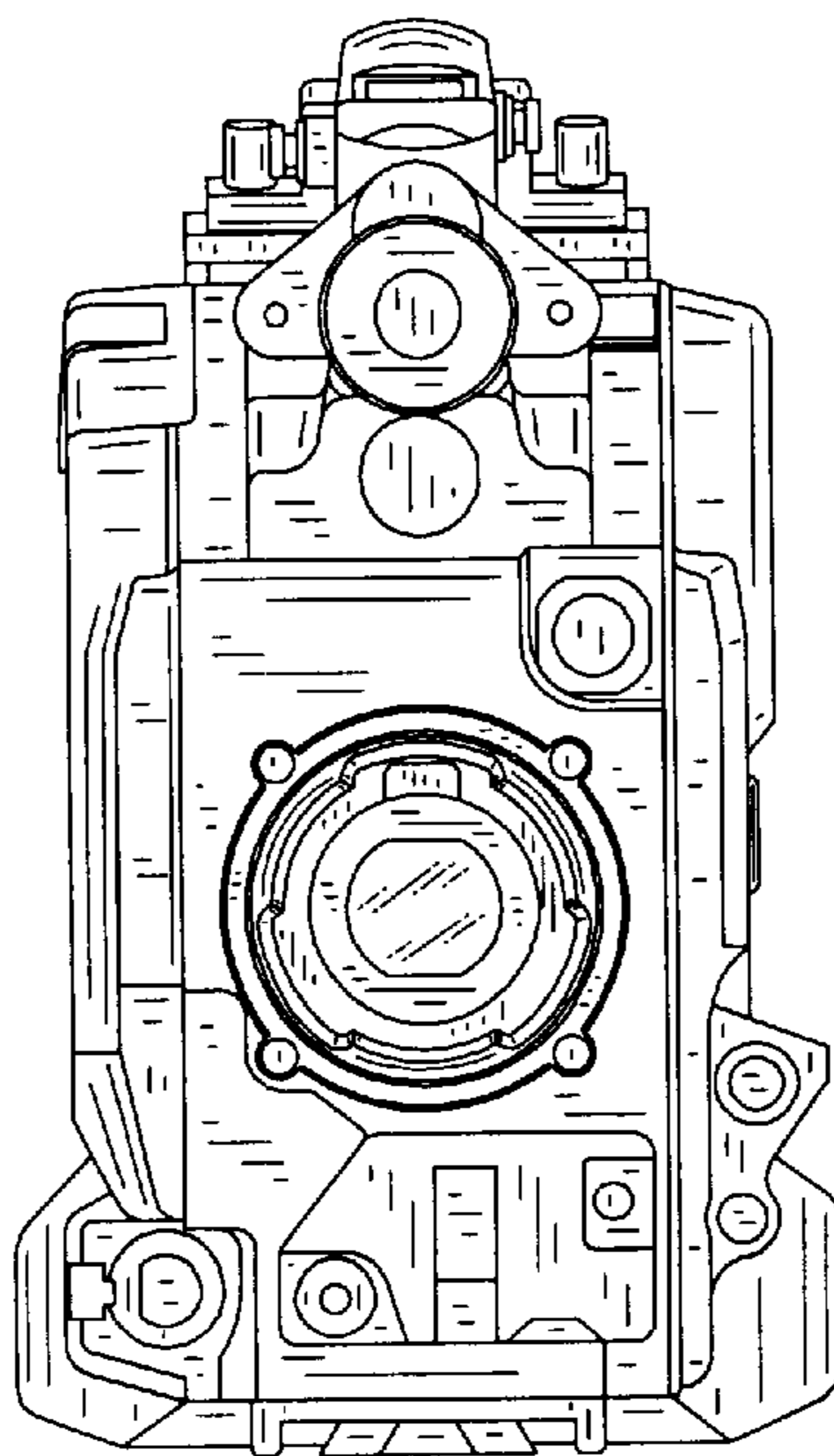


FIG. 6

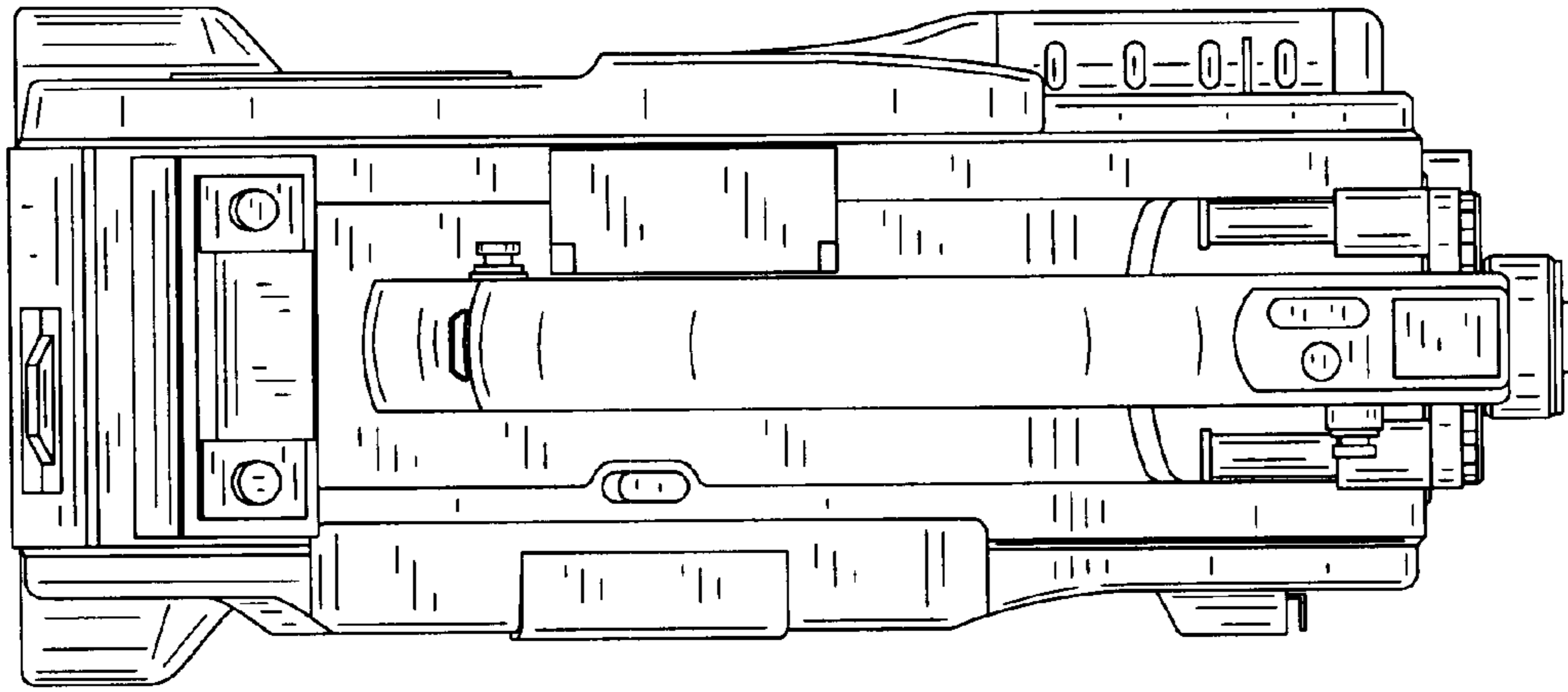


FIG. 7

