



US00D486844S

(12) **United States Design Patent**
Mitsuse

(10) **Patent No.:** **US D486,844 S**

(45) **Date of Patent:** **** Feb. 17, 2004**

(54) **DIGITAL CAMERA**

(75) Inventor: **Akinori Mitsuse**, Fuchu (JP)

(73) Assignee: **Olympus Corporation**, Tokyo (JP)

(**) Term: **14 Years**

(21) Appl. No.: **29/172,057**

(22) Filed: **Dec. 4, 2002**

(30) **Foreign Application Priority Data**

Sep. 24, 2002	(JP)	2002-026045
Sep. 24, 2002	(JP)	2002-026046
Sep. 24, 2002	(JP)	2002-026053

(51) **LOC (7) Cl.** **16-01**

(52) **U.S. Cl.** **D16/202; D16/212**

(58) **Field of Search** **D16/200-205,**
D16/208, 209, 211, 212, 218; 348/373-376;
396/349, 448, 535-541

(56) **References Cited**

U.S. PATENT DOCUMENTS

5,701,533	A	*	12/1997	Suzuki et al.	396/349
5,708,891	A	*	1/1998	Ando et al.	396/448
D412,518	S	*	8/1999	Naito	D16/212
D449,324	S	*	10/2001	Iue et al.	D16/202

D467,953 S * 12/2002 Suzuki et al. D16/202

* cited by examiner

Primary Examiner—Adir Aronovich

(74) *Attorney, Agent, or Firm*—Hogan & Hartson LLP

(57) **CLAIM**

The ornamental design for a digital camera, as shown and described.

DESCRIPTION

FIG. 1 is a front and left side perspective view of a digital camera showing my new design;
 FIG. 2 is a rear and right side perspective view thereof;
 FIG. 3 is a front elevational view thereof;
 FIG. 4 is a rear elevational view thereof;
 FIG. 5 is a top plan view thereof;
 FIG. 6 is a bottom plan view thereof;
 FIG. 7 is a right side elevational view thereof;
 FIG. 8 is a left side elevational view thereof;
 FIG. 9 is a front elevational view thereof, with a lens barrier in an opened state;
 FIG. 10 is a top plan view thereof, with a lens barrier in an opened state; and,
 FIG. 11 is a right side elevational view thereof, with a lens barrier in an opened state.

1 Claim, 7 Drawing Sheets

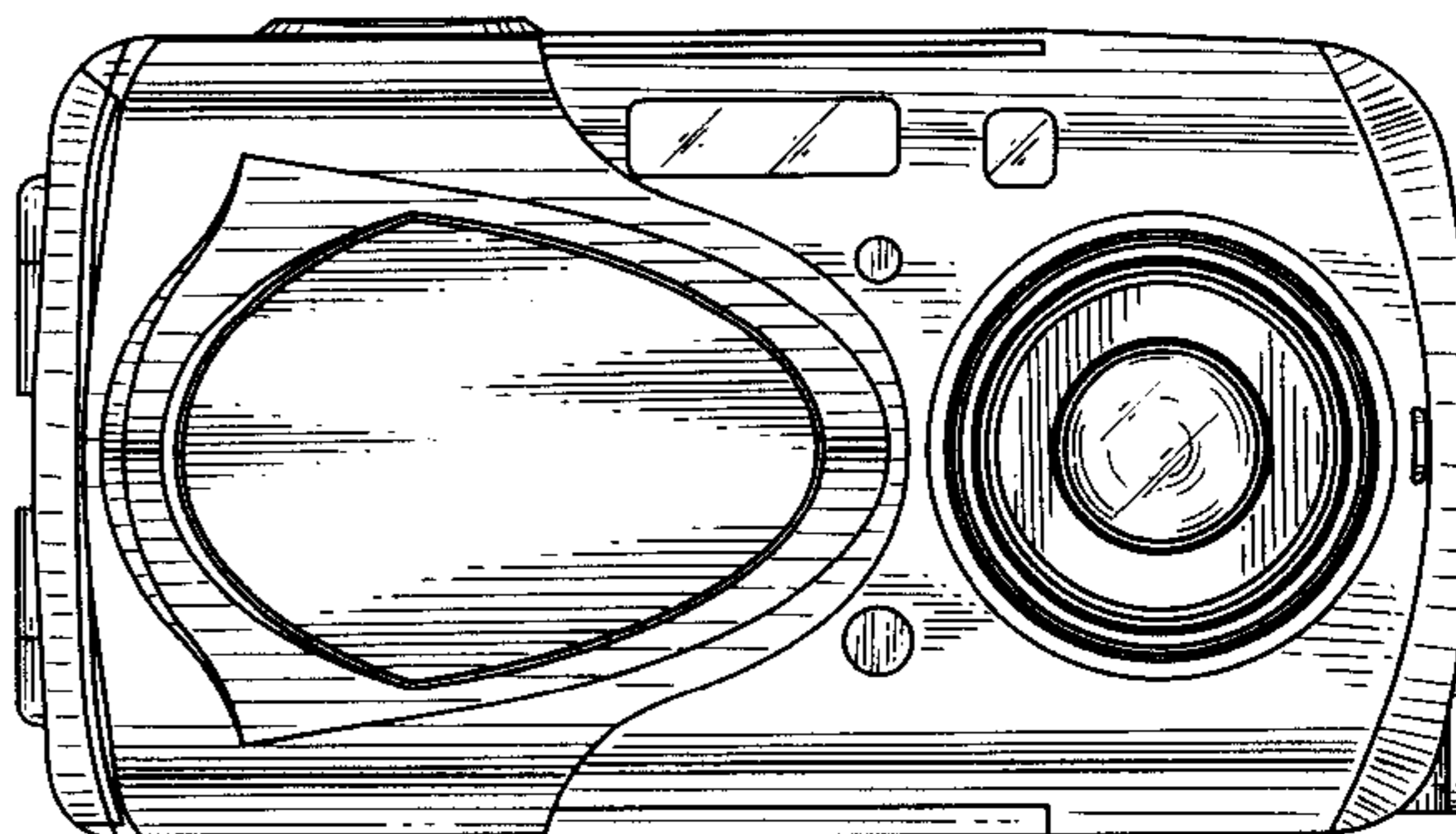
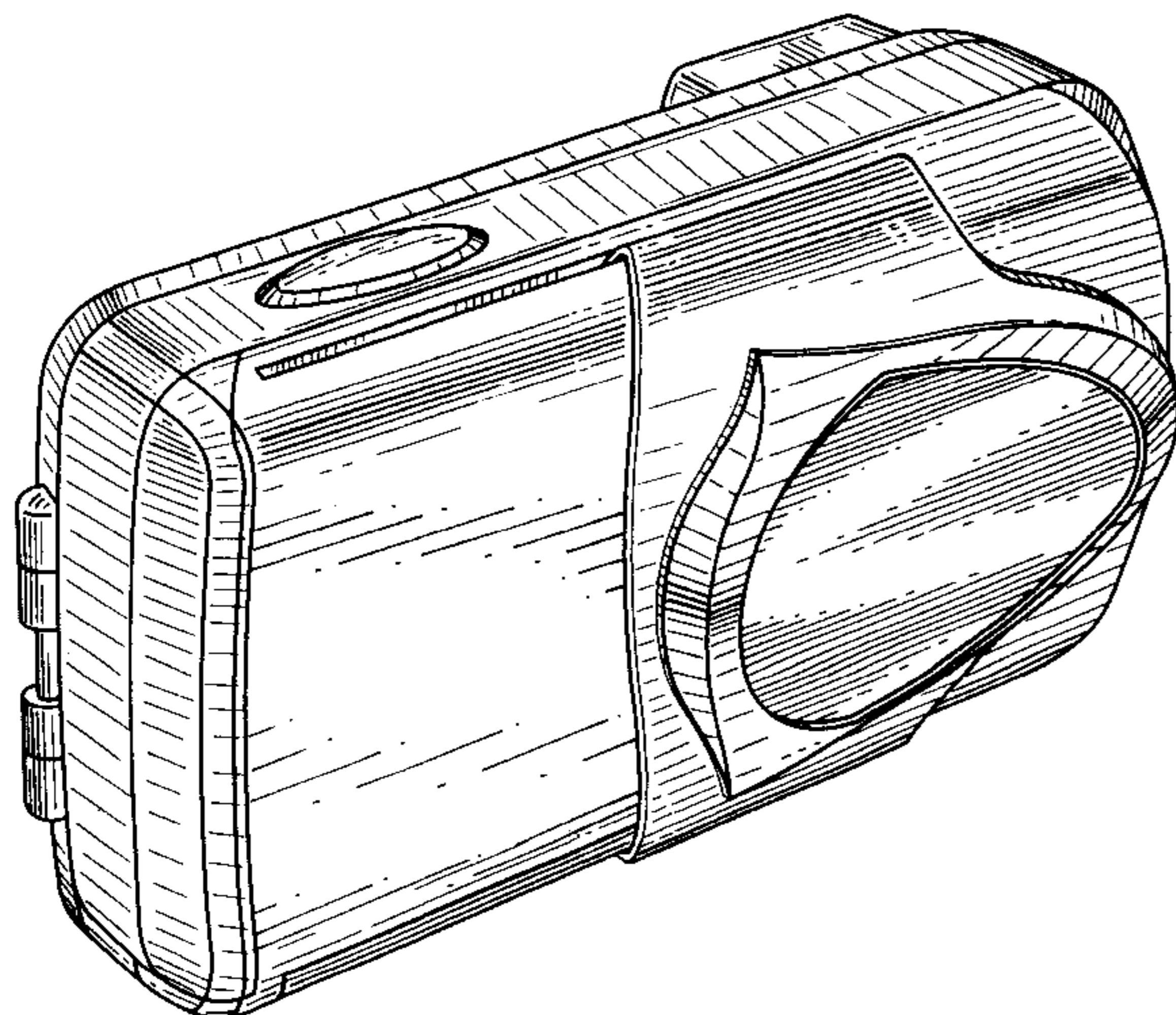


FIG.1

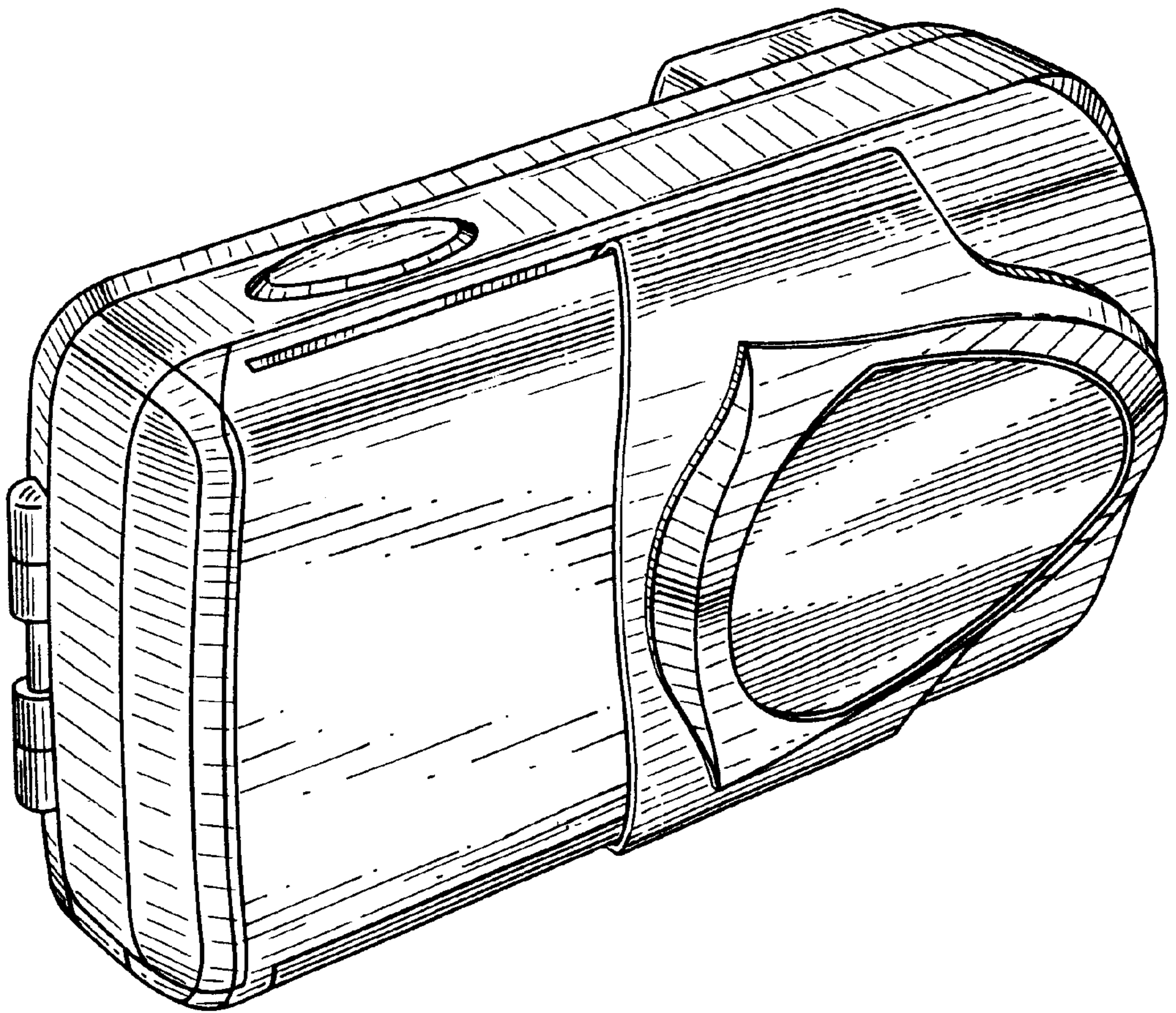


FIG.2

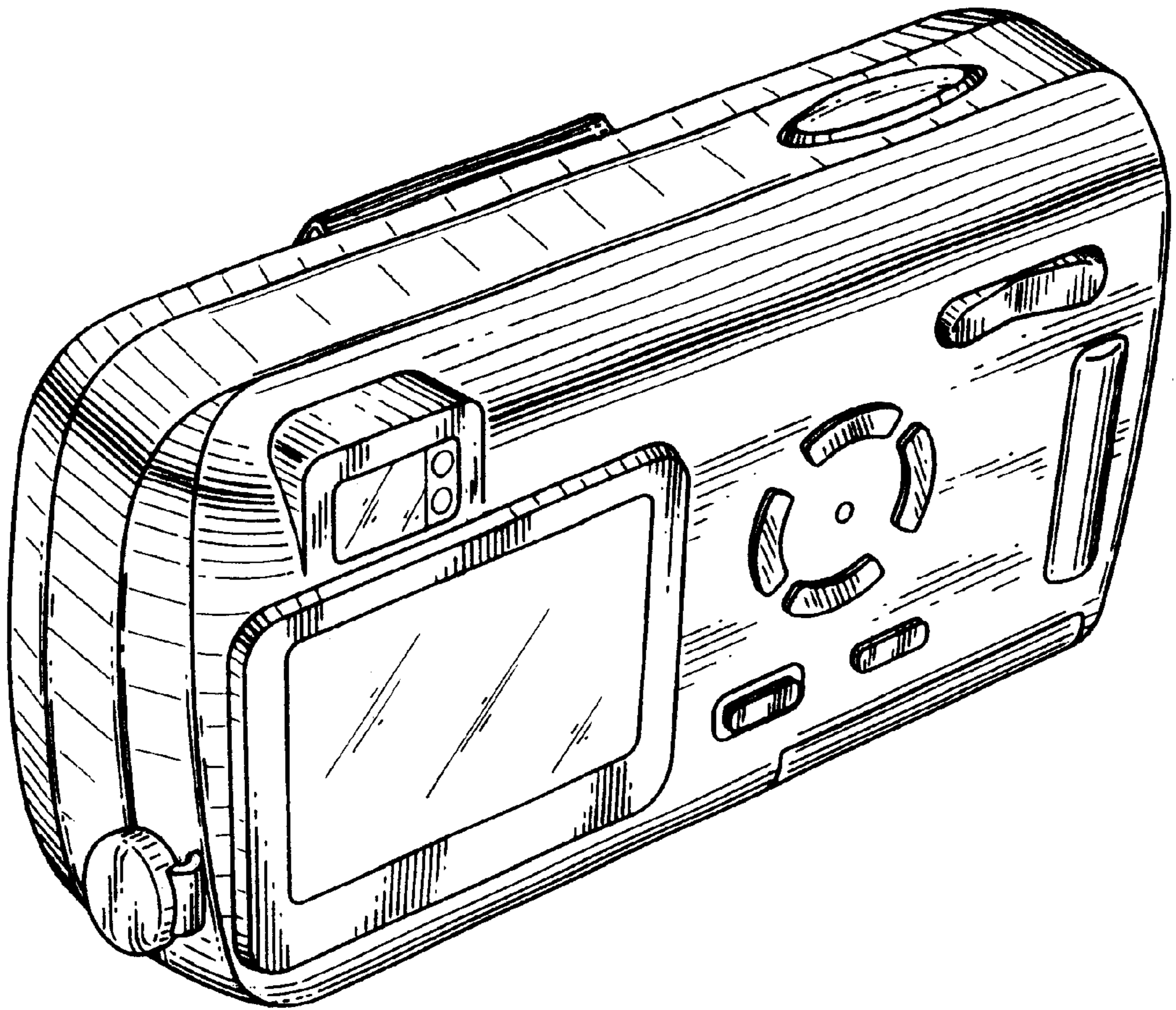


FIG.3

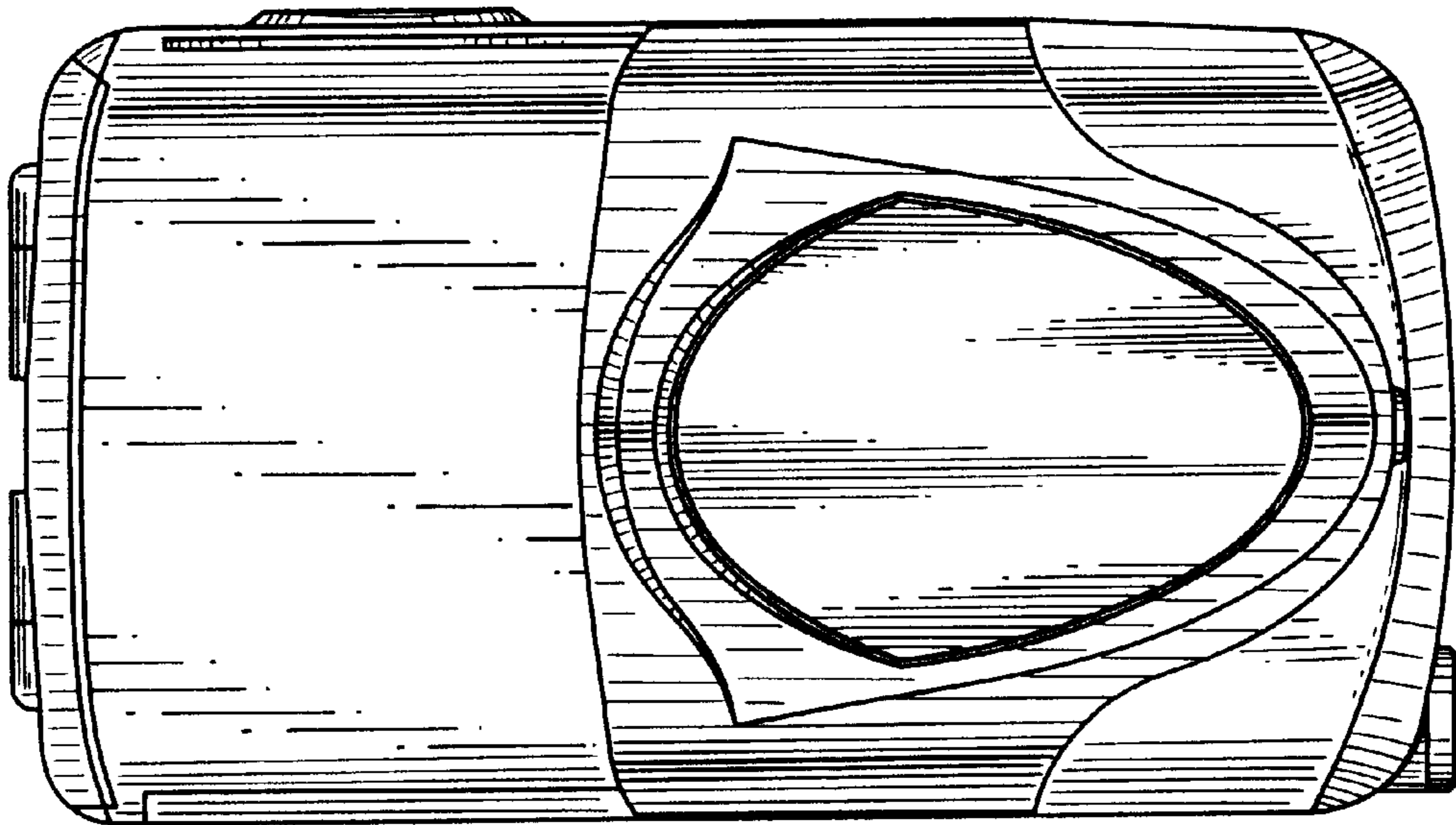


FIG.4

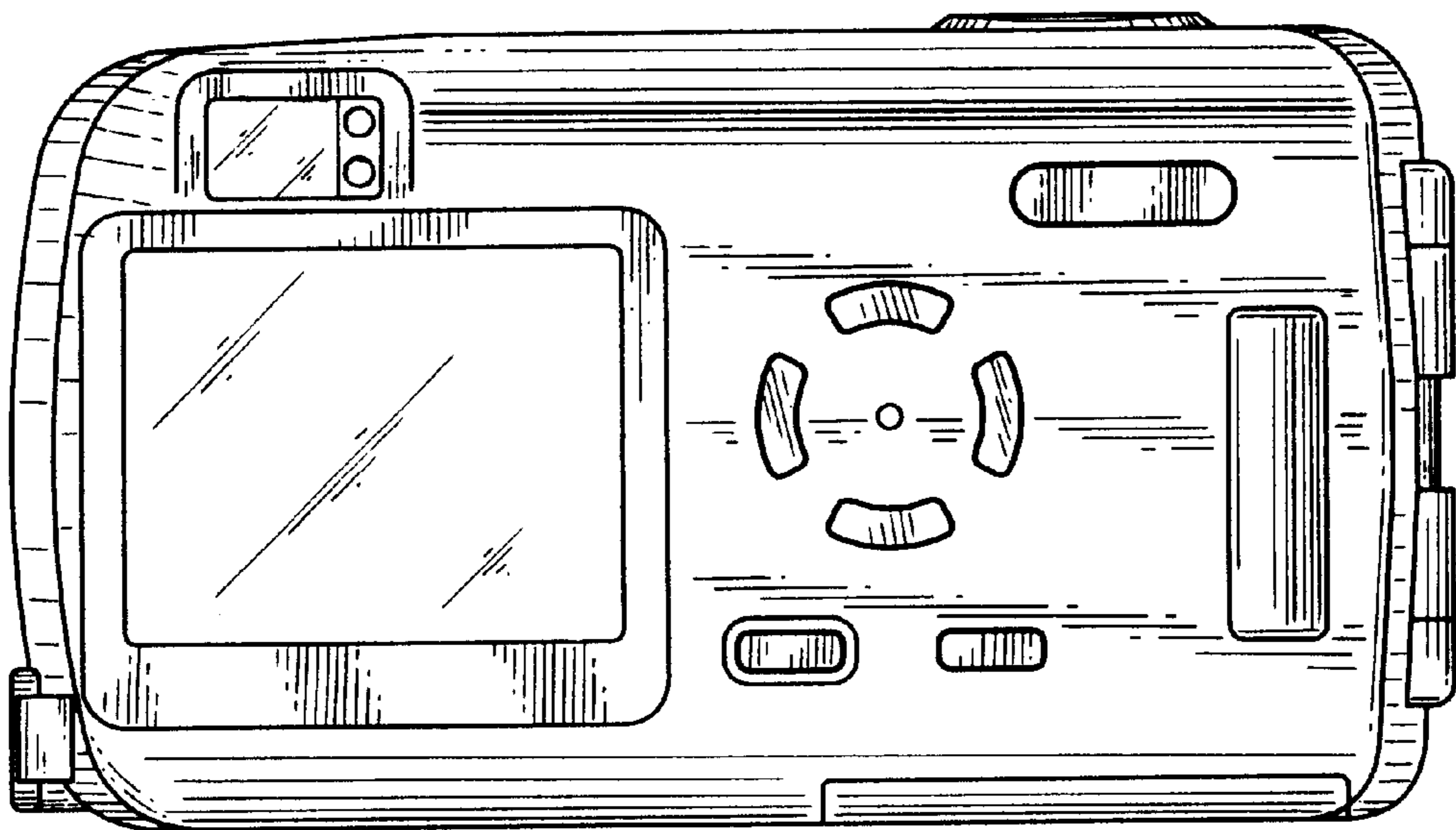


FIG.5

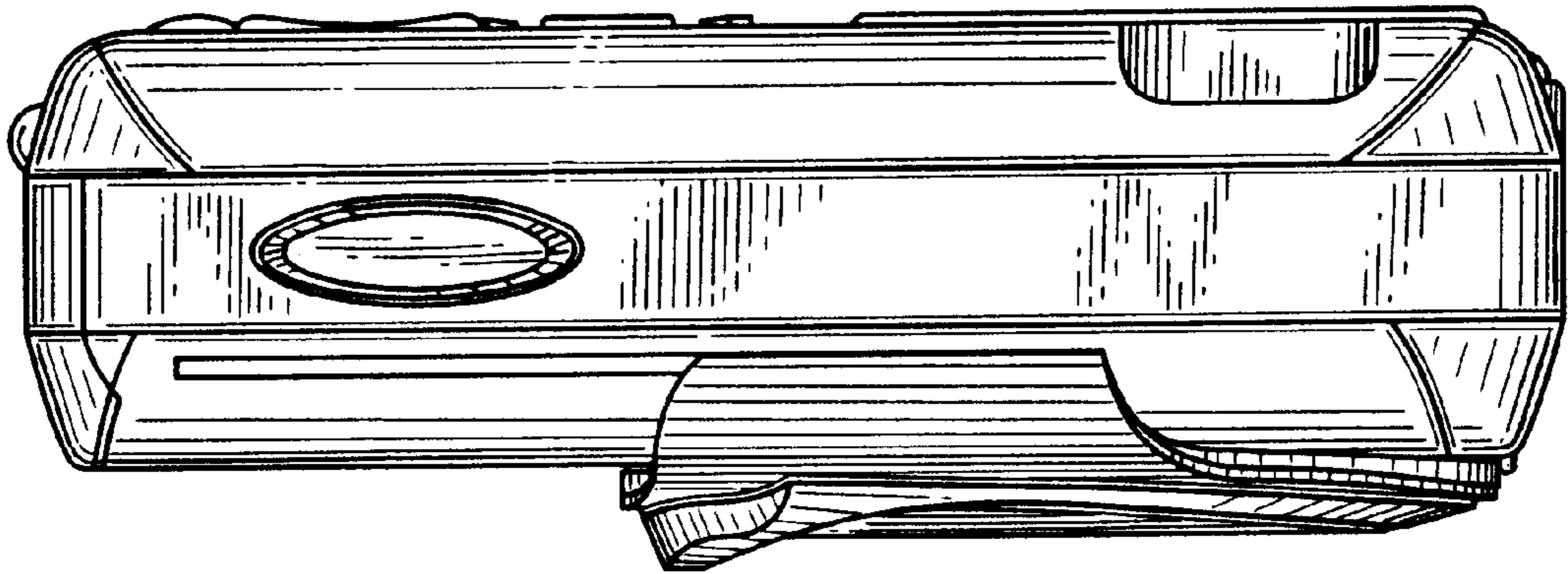


FIG.6

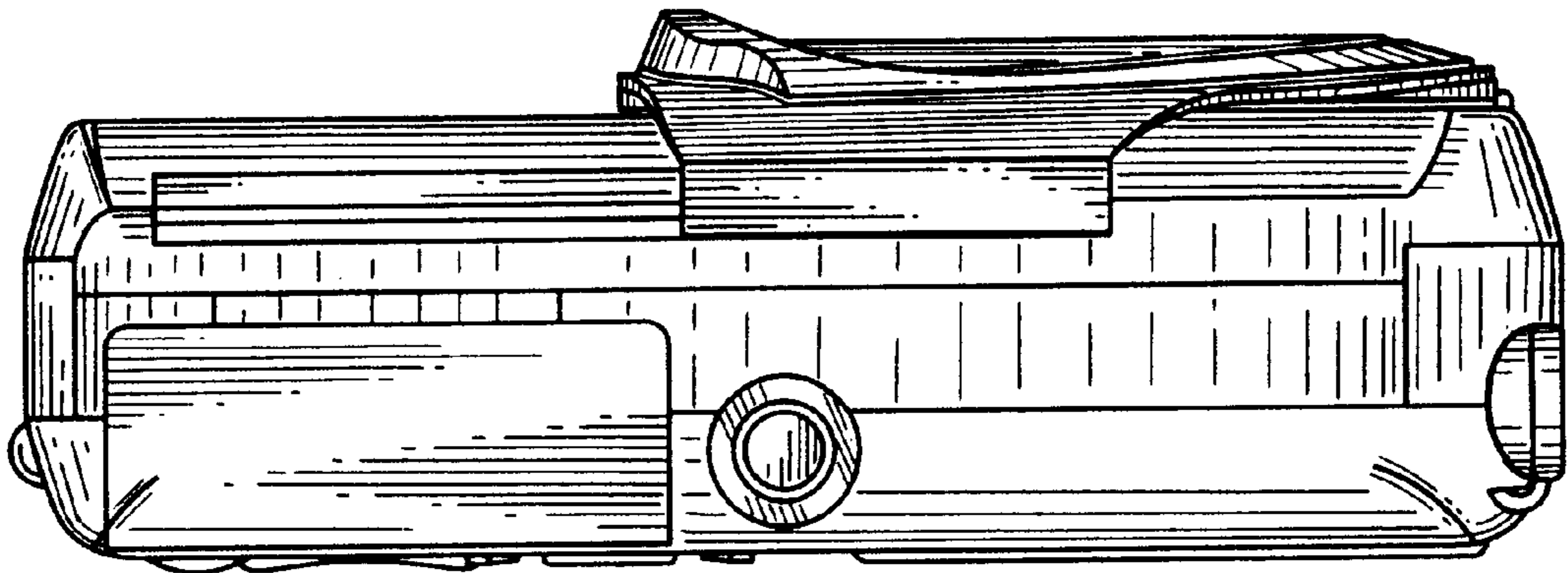


FIG.7

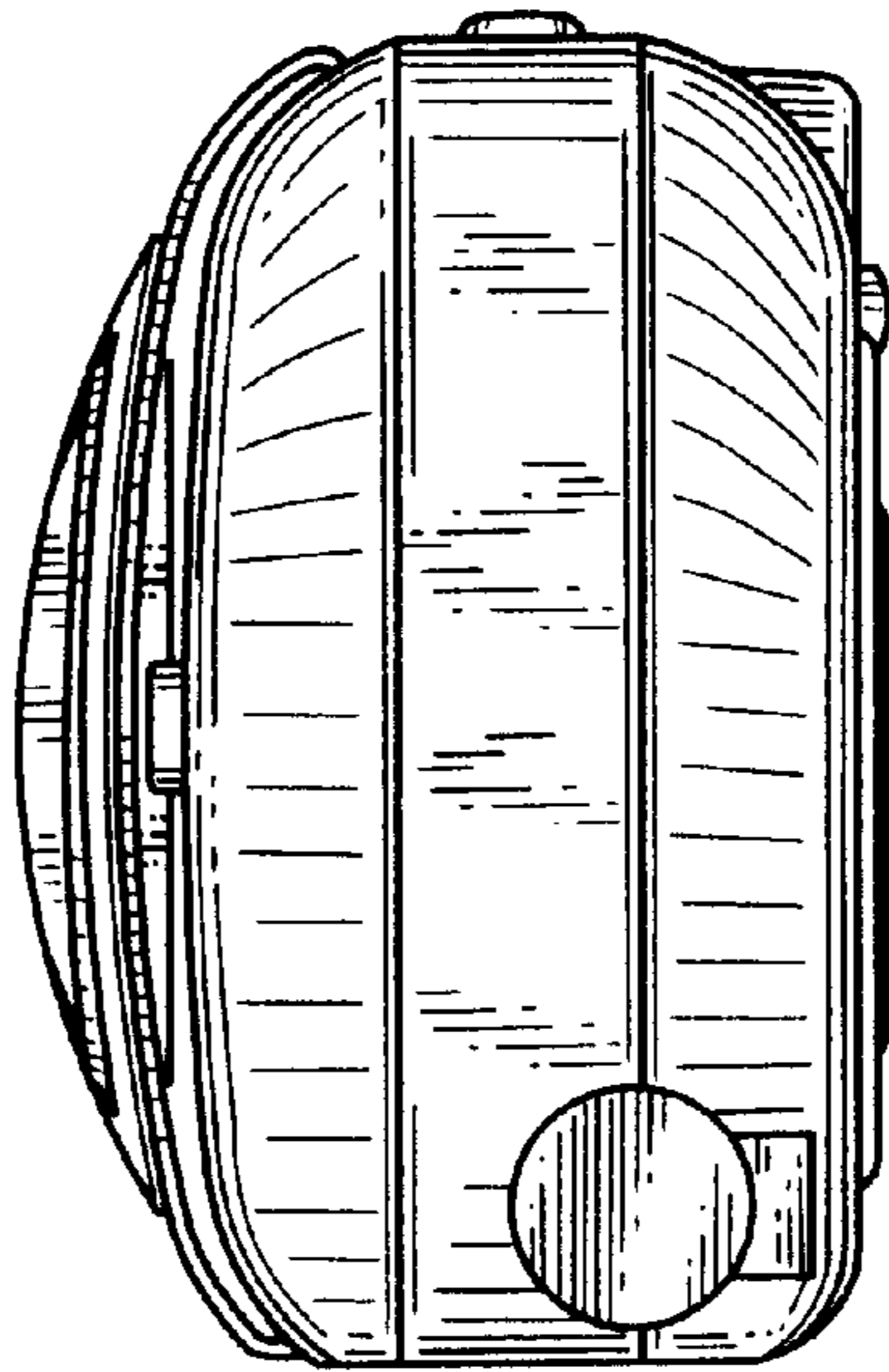


FIG.8

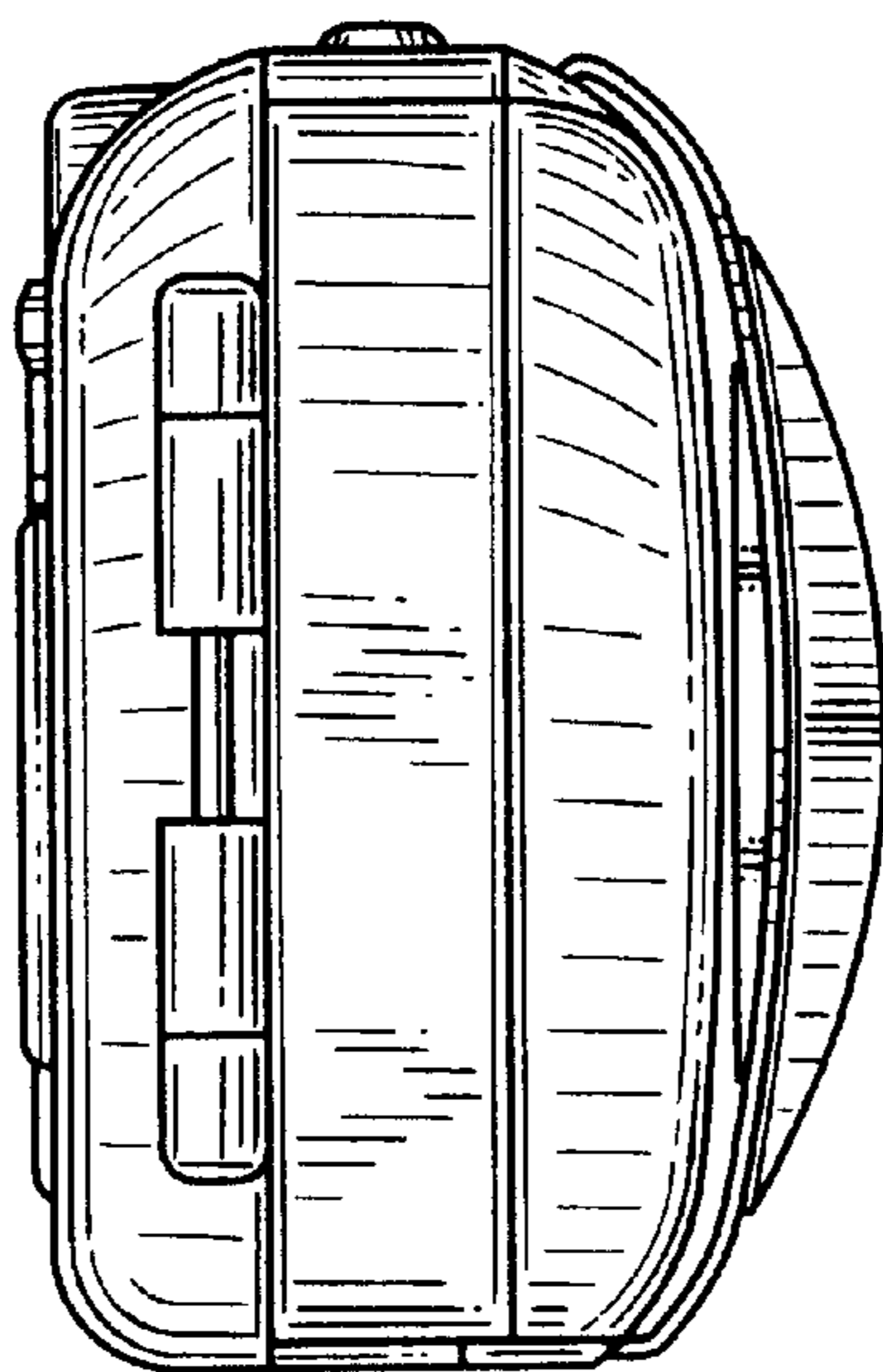


FIG.9

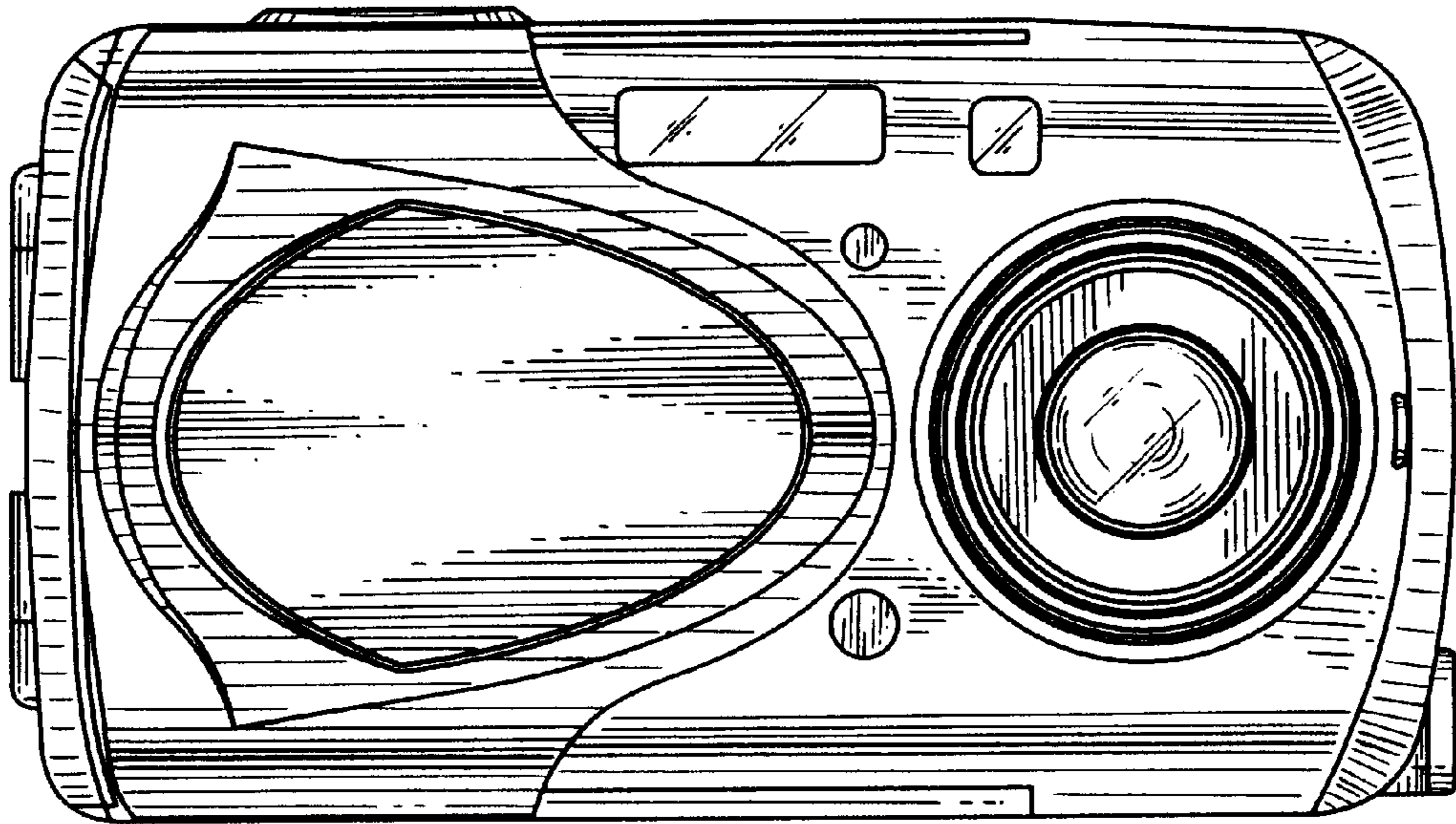


FIG.10

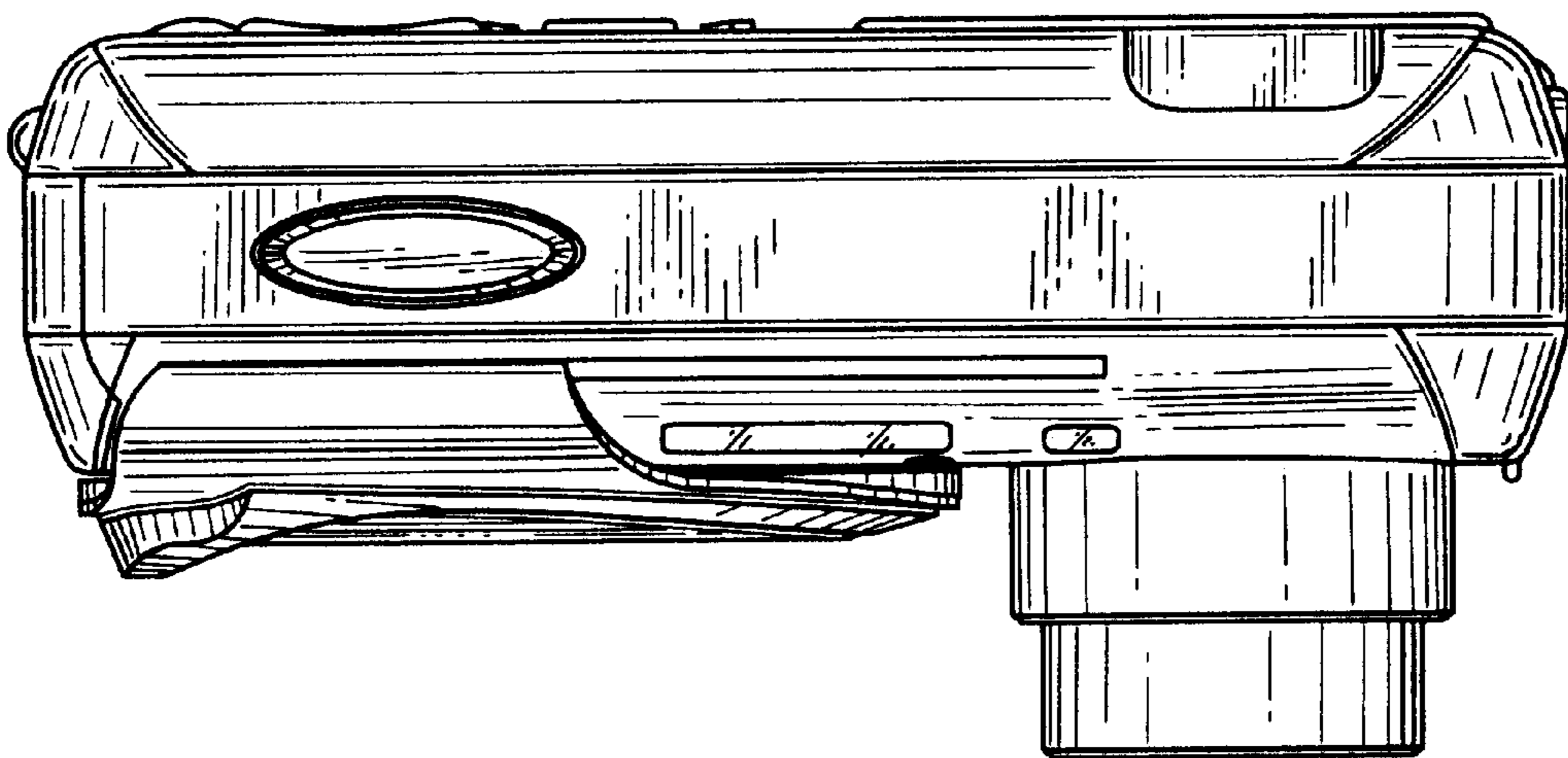


FIG. 11

