



US00D486843S

(12) **United States Design Patent**  
**Takahashi**

(10) **Patent No.:** **US D486,843 S**

(45) **Date of Patent:** **\*\* Feb. 17, 2004**

(54) **ELECTRONIC STILL CAMERA**

(75) Inventor: **Hitoshi Takahashi**, Tokyo (JP)

(73) Assignee: **Sony Corporation**, Tokyo (JP)

(\*\*) Term: **14 Years**

(21) Appl. No.: **29/159,802**

(22) Filed: **Apr. 30, 2002**

(51) **LOC (7) Cl.** ..... **16-01**

(52) **U.S. Cl.** ..... **D16/202**

(58) **Field of Search** ..... D16/200-204,  
D16/208, 213, 218; 348/373-376; 358/909.1;  
396/535-541

(56) **References Cited**

**U.S. PATENT DOCUMENTS**

5,610,678	A	*	3/1997	Tsuboi et al. ....	348/375
D383,475	S	*	9/1997	Yamauchi et al. ....	D16/202
D389,500	S	*	1/1998	Krekelberg .....	D16/202
D390,585	S	*	2/1998	Sakata et al. ....	D16/202
D394,868	S	*	6/1998	Lee .....	D16/202
D421,597	S		3/2000	Oba .....	D13/182
D421,967	S		3/2000	Oba et al. ....	D13/182
D427,159	S		6/2000	Oba .....	D13/182
D431,827	S	*	10/2000	Yim .....	D16/202
D432,505	S		10/2000	Oba et al. ....	D13/182
D440,587	S		4/2001	Morooka .....	D16/202
D463,468	S	*	9/2002	Fujita et al. ....	D16/202

**OTHER PUBLICATIONS**

Sony Press release, <http://www.sony.co.jp/SonyInfo/News/Press/200011/00-1114/>, 4 sheets, Sony Corporation (Nov. 2000).

Home page "ZDNet, Japan, Products Center, Sony Memory Stick & GPS, <http://www.zdnet.co.jp/mofile/palm/news/0109/11/0000000000000235.html>", 5 sheets, ZDNET, Japan, (Sep. 2001).

\* cited by examiner

*Primary Examiner*—Adir Aronovich

(74) *Attorney, Agent, or Firm*—Rader, Fishman & Grauer PLLC

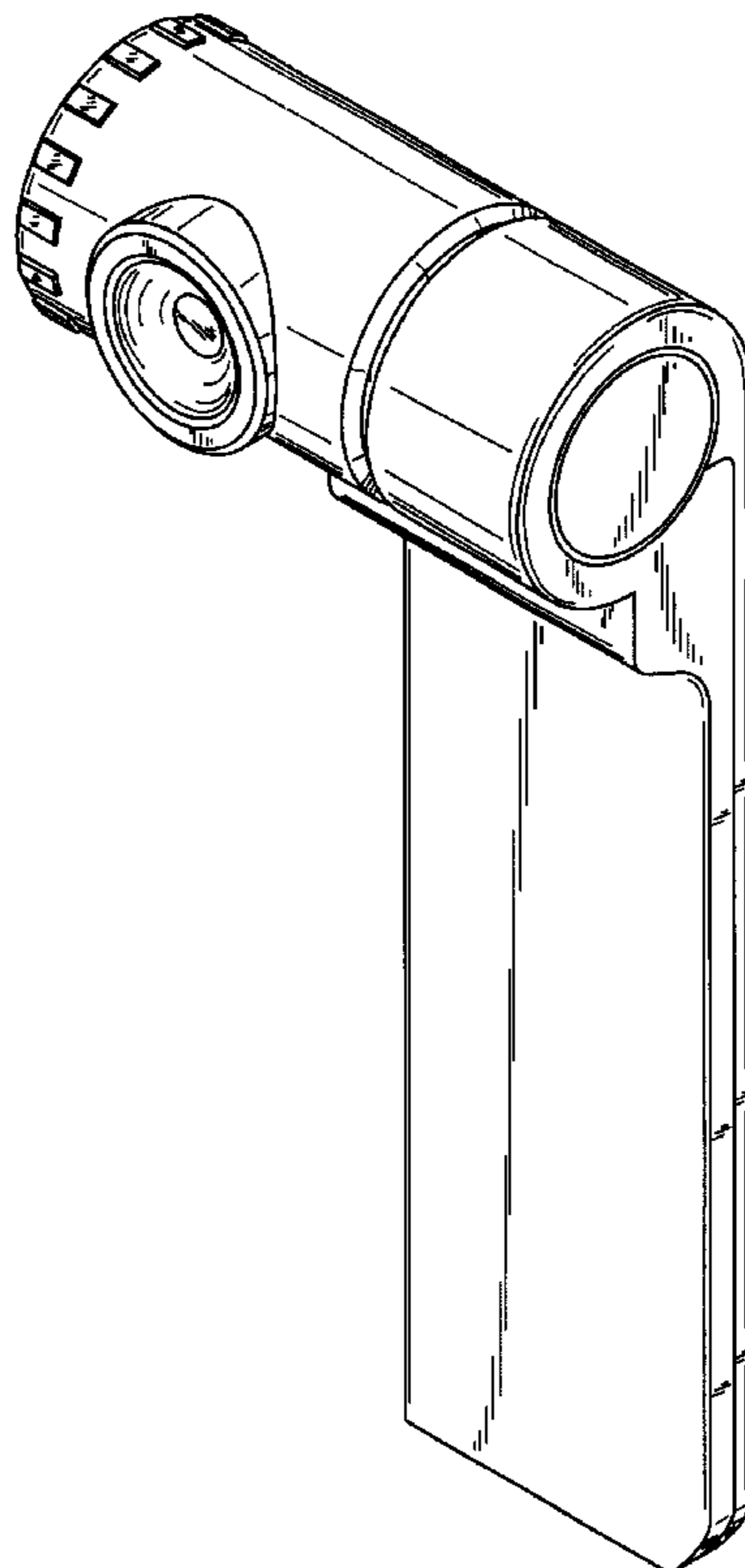
(57) **CLAIM**

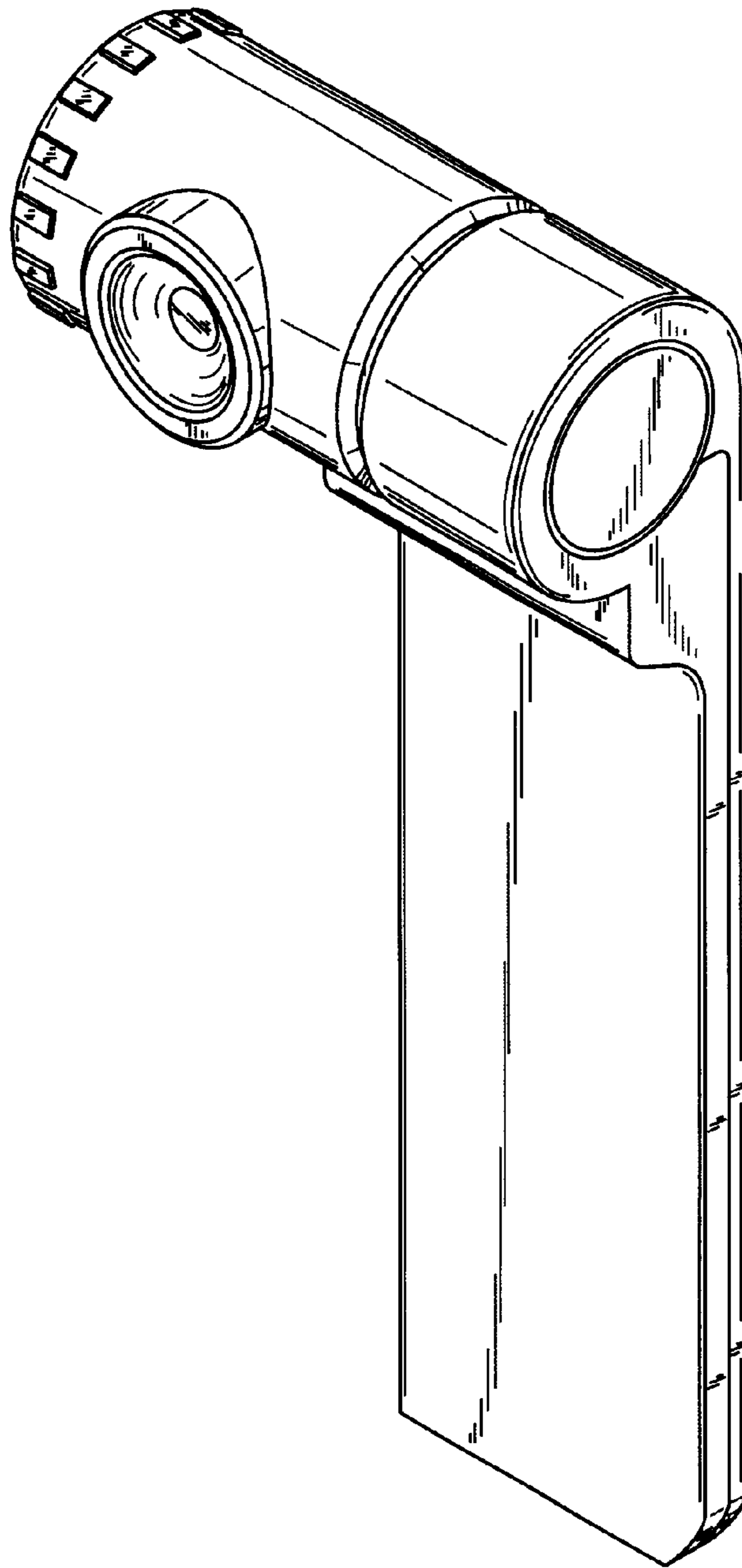
The ornamental design for an electronic still camera, as shown.

**DESCRIPTION**

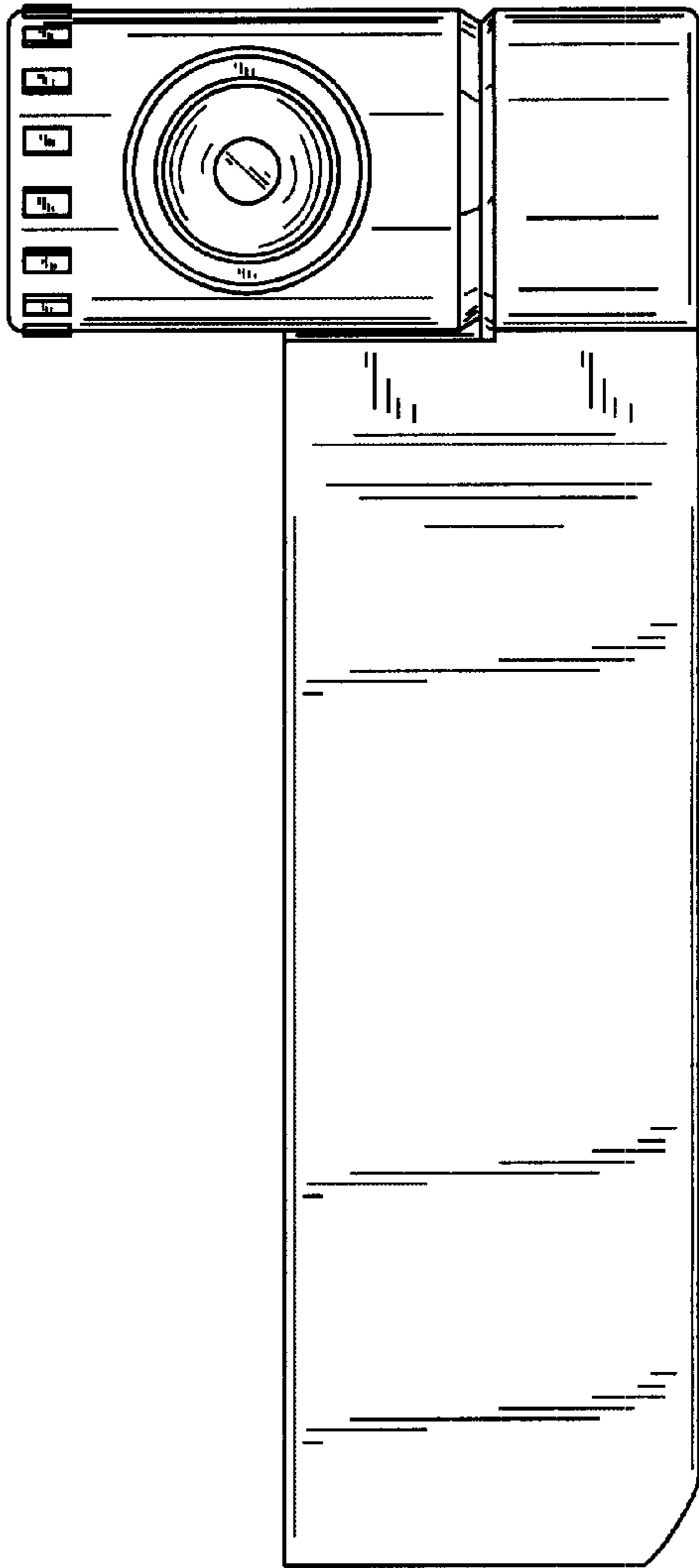
FIG. 1 is a perspective view of an electronic still camera showing my new design;  
FIG. 2 is a front elevational view thereof;  
FIG. 3 is a rear elevational view thereof;  
FIG. 4 is a left side elevational view thereof;  
FIG. 5 is a right side elevational view thereof;  
FIG. 6 is a top plan view thereof; and,  
FIG. 7 is a bottom plan view thereof.

**1 Claim, 4 Drawing Sheets**

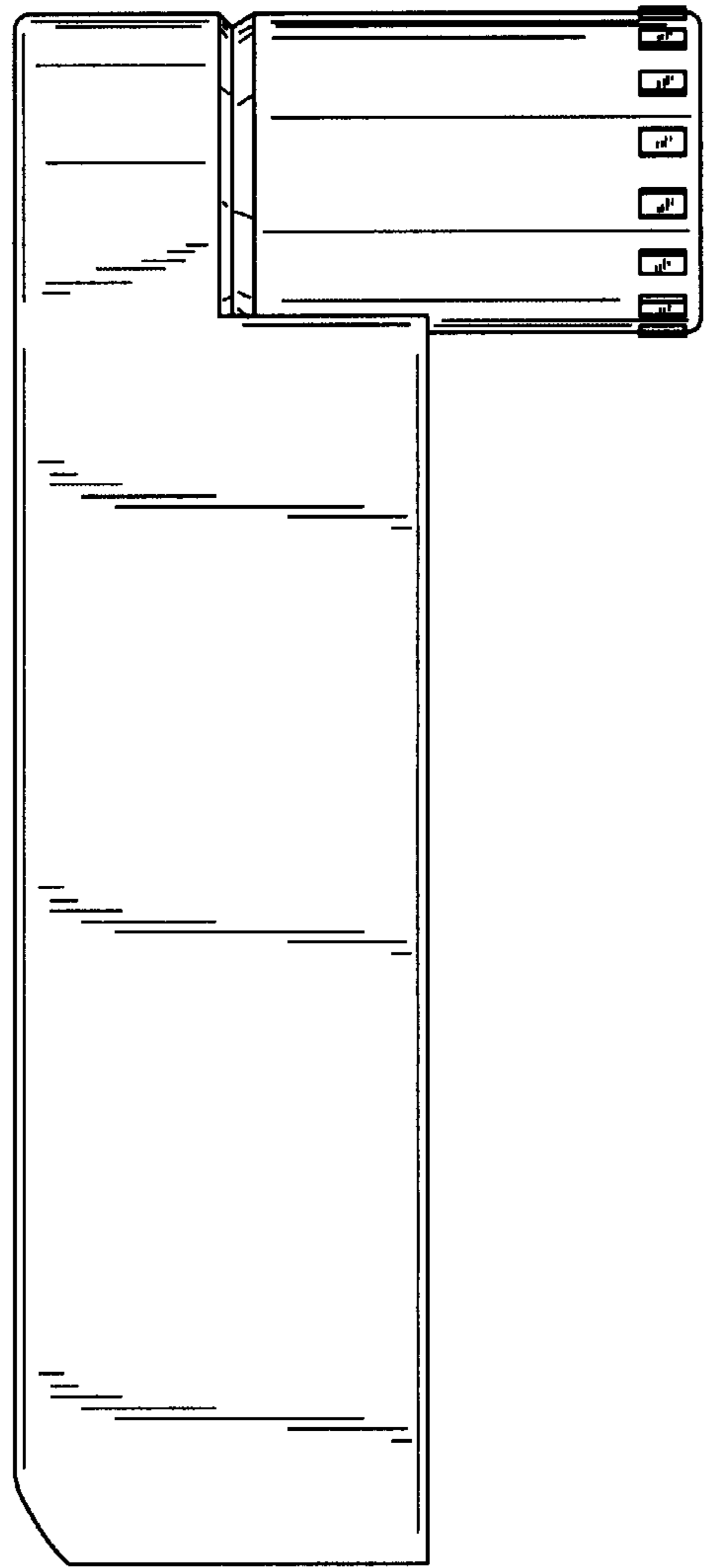




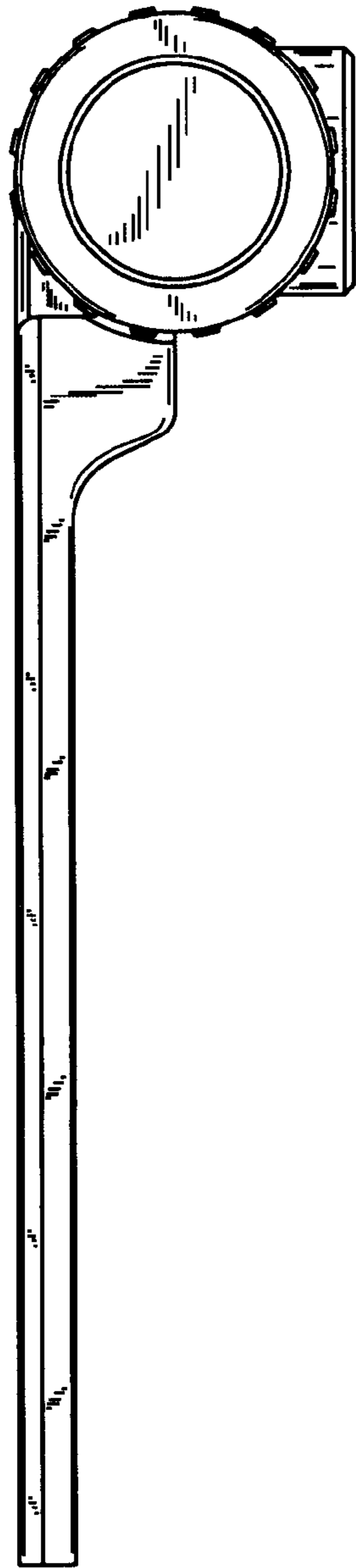
**Fig. 1**



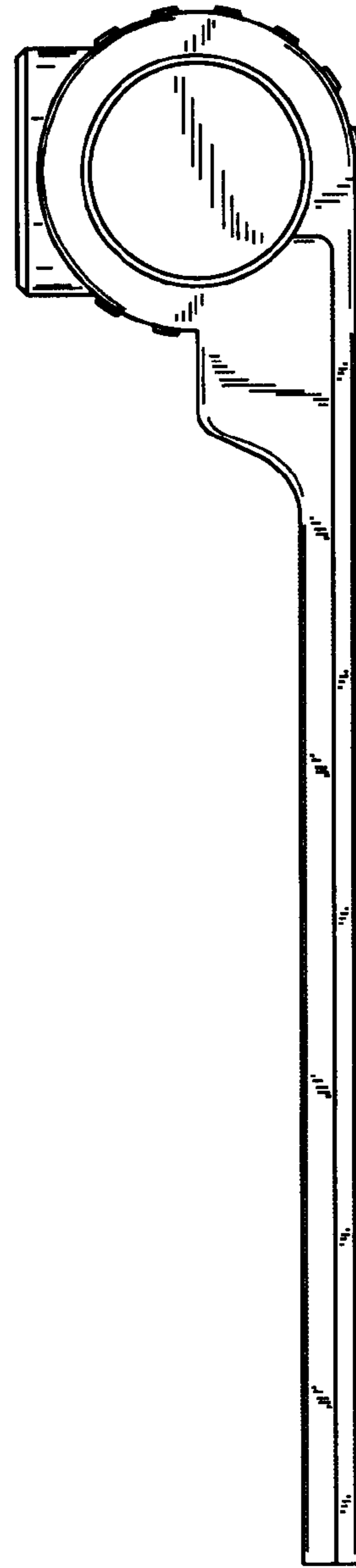
**Fig. 2**



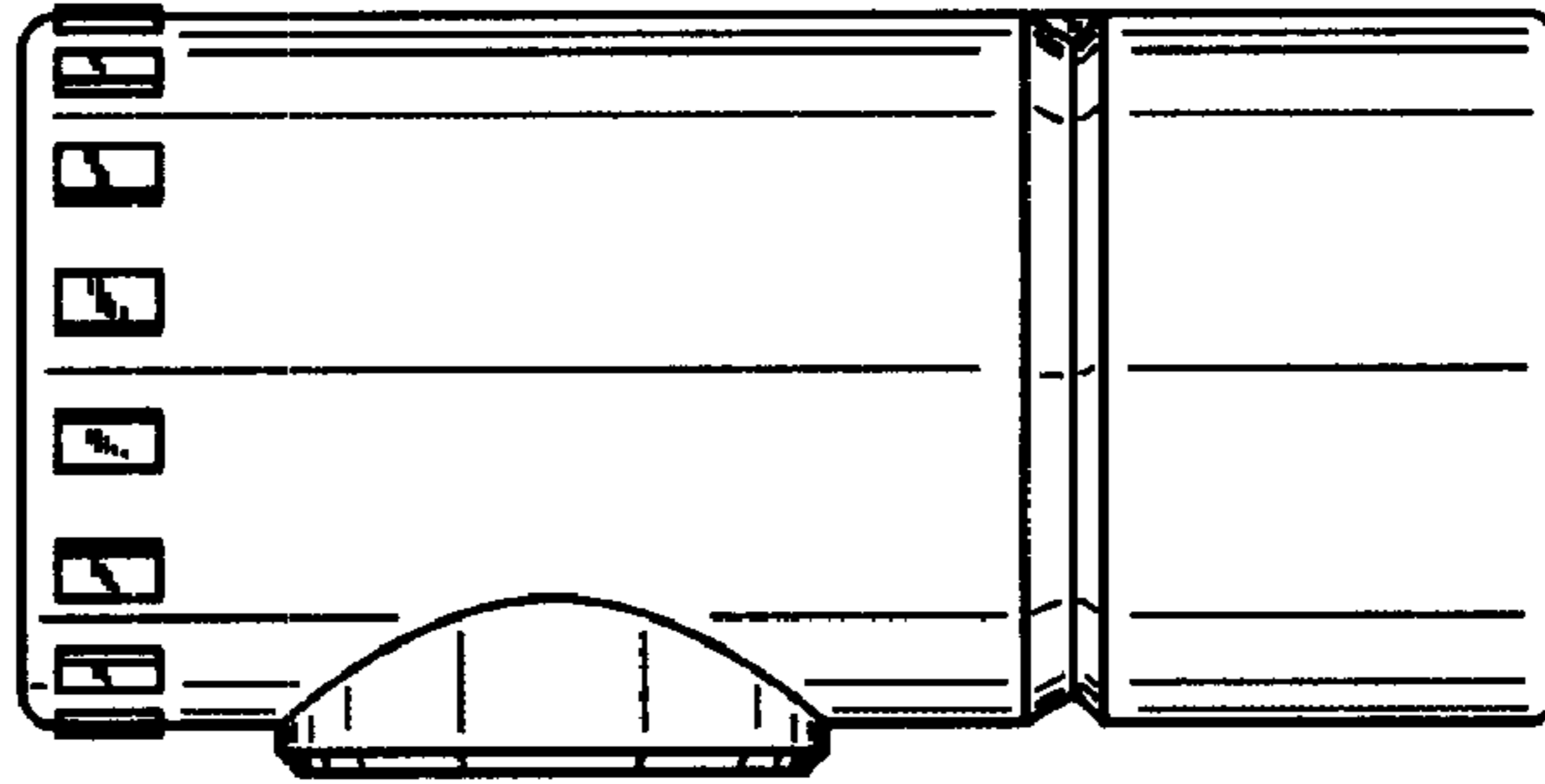
**Fig. 3**



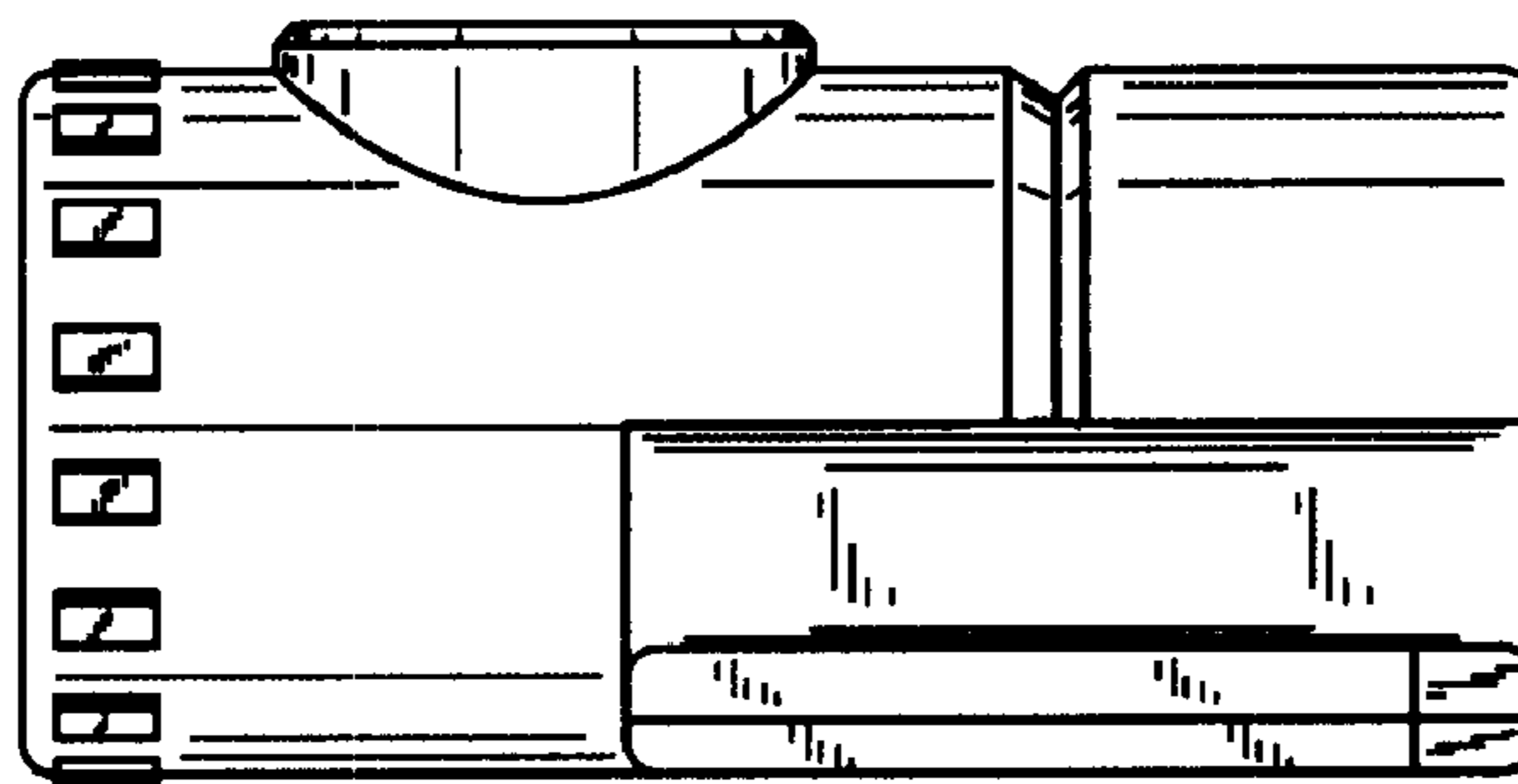
**Fig. 4**



**Fig. 5**



**Fig. 6**



**Fig. 7**