



US00D486842S

(12) **United States Design Patent**  
**Kim et al.**

(10) **Patent No.:** **US D486,842 S**

(45) **Date of Patent:** **\*\* Feb. 17, 2004**

(54) **IMAGE CAPTURE DEVICE**

(75) Inventors: **Sung Ho Kim**, Seoul (KR); **Ye Jin Jung**, Seoul (KR); **Chi Ping Yeung**, Sai Ying Pun (HK)

(73) Assignee: **Concord Camera Corp.**, Hollywood, FL (US)

(\*\*) Term: **14 Years**

(21) Appl. No.: **29/156,094**

(22) Filed: **Feb. 22, 2002**

(51) **LOC (7) Cl.** ..... **16-01**

(52) **U.S. Cl.** ..... **D16/202**

(58) **Field of Search** ..... D16/200-204,  
D16/208, 209, 218; 348/373-376; 358/909.1;  
396/535-541

(56) **References Cited**

**U.S. PATENT DOCUMENTS**

5,373,341 A \* 12/1994 SanGregory ..... 396/147  
D388,449 S \* 12/1997 Ohi et al. .... D16/202

D397,706 S \* 9/1998 Shibata ..... D16/202

6,148,149 A \* 11/2000 Kagle ..... 358/909.1

D450,072 S \* 11/2001 Katayama ..... D16/202

6,434,337 B1 \* 8/2002 Misawa ..... 358/909.1

D470,519 S \* 2/2003 Ogura ..... D16/202

\* cited by examiner

*Primary Examiner*—Adir Aronovich

(74) *Attorney, Agent, or Firm*—Scott L. Lampert; Kerry Sisselman

(57) **CLAIM**

The ornamental design for an image capture device, as shown and described.

**DESCRIPTION**

FIG. 1 is a front elevational view of a image capture device showing our new design.

FIG. 2 is a top plan view thereof.

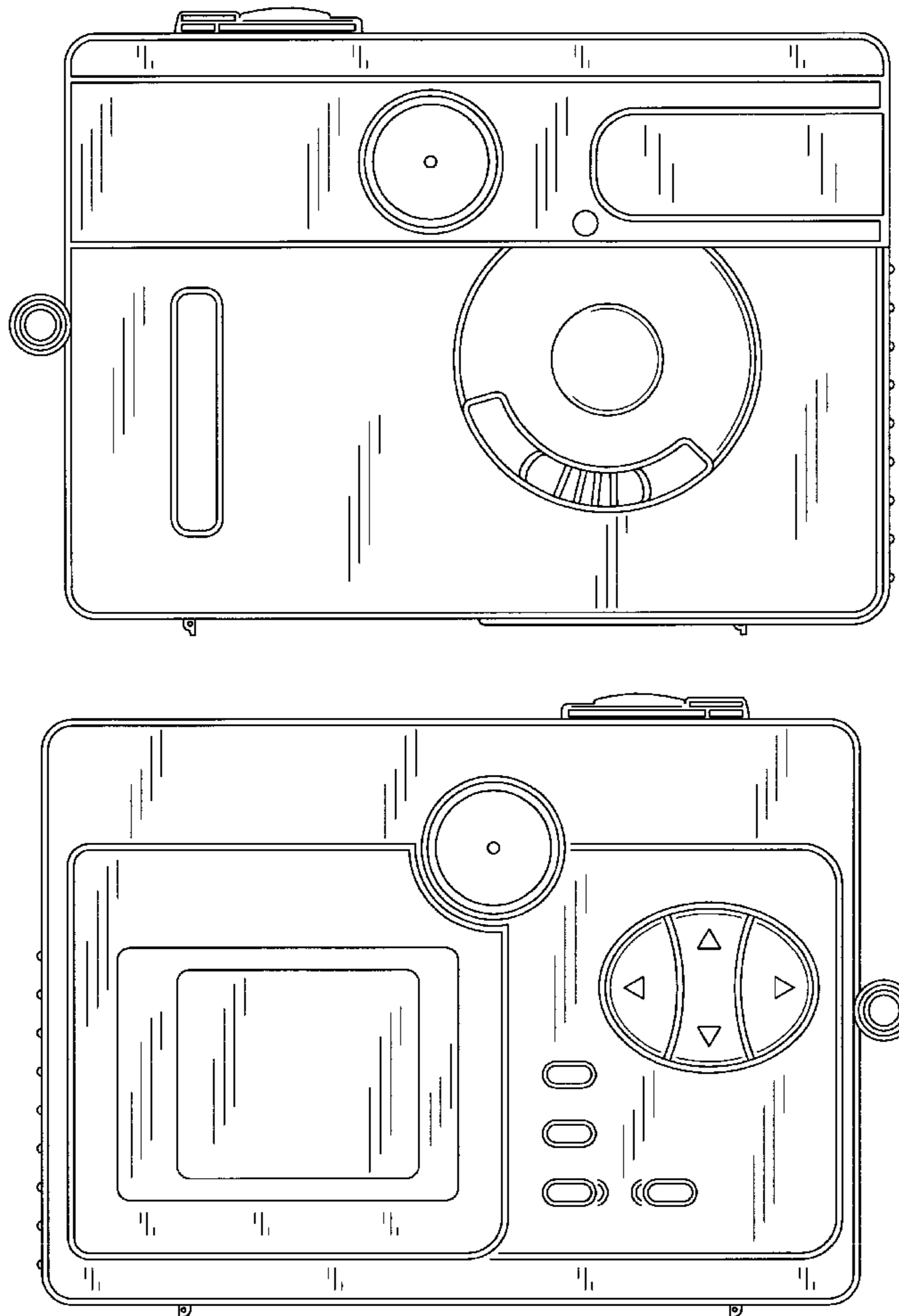
FIG. 3 is a bottom plan view thereof.

FIG. 4 is a left side elevational view thereof.

FIG. 5 is a rear elevational view thereof; and,

FIG. 6 is a right side elevational view thereof.

**1 Claim, 4 Drawing Sheets**



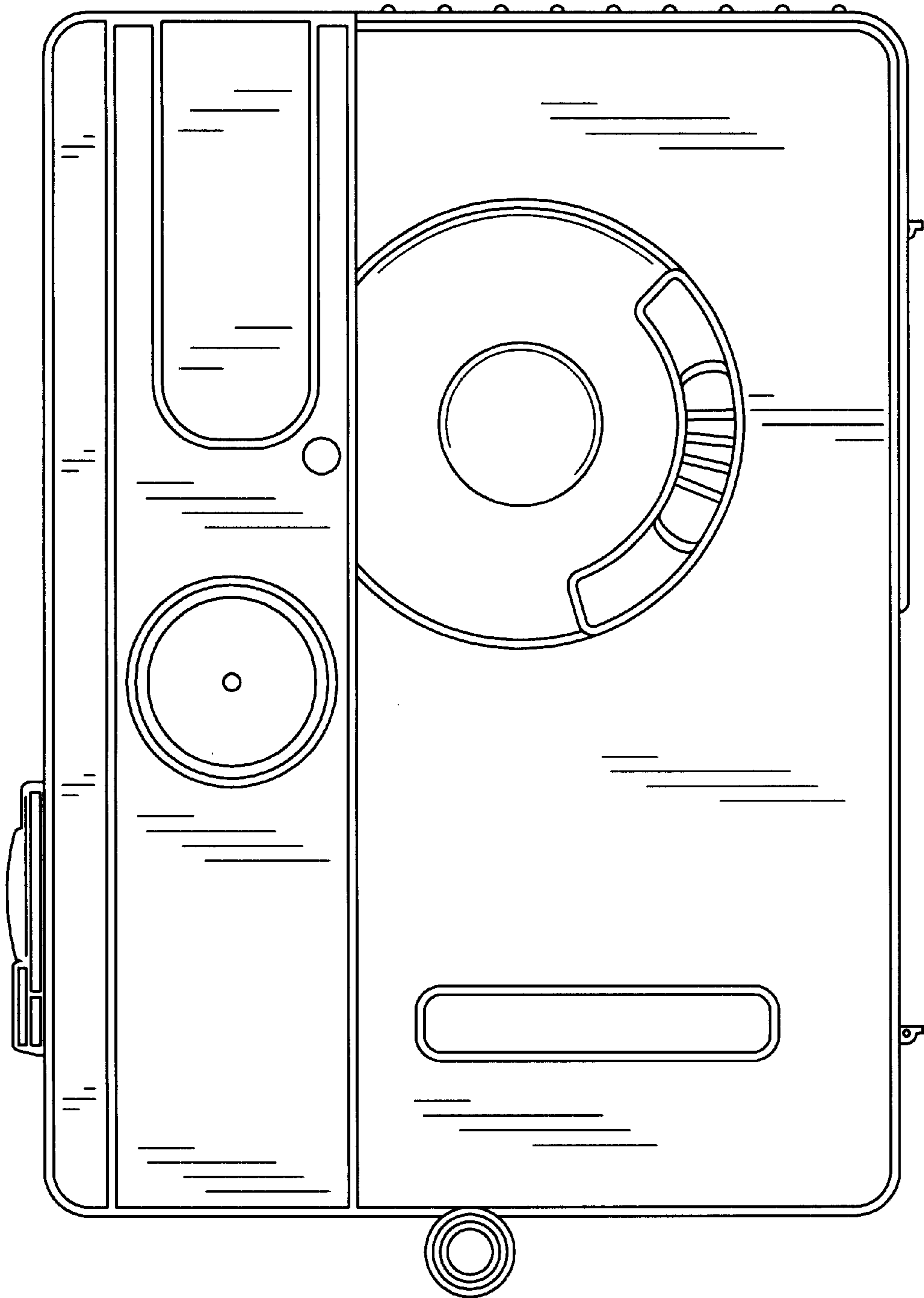


FIG. 1

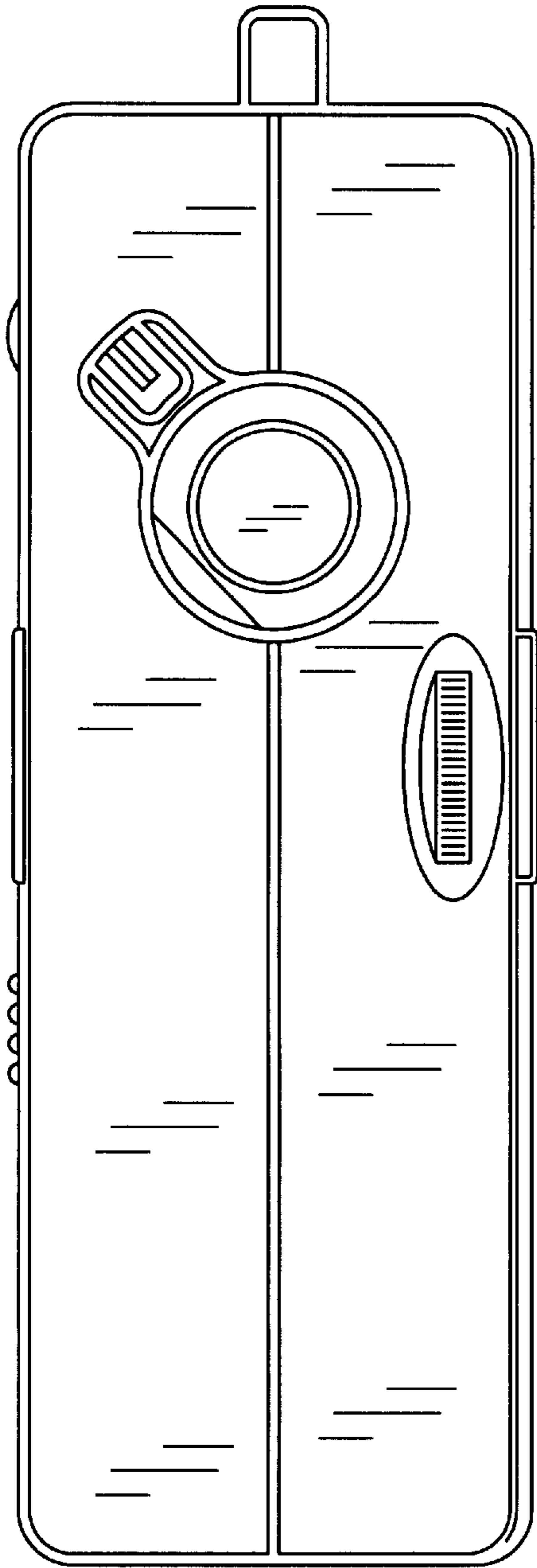


FIG. 2

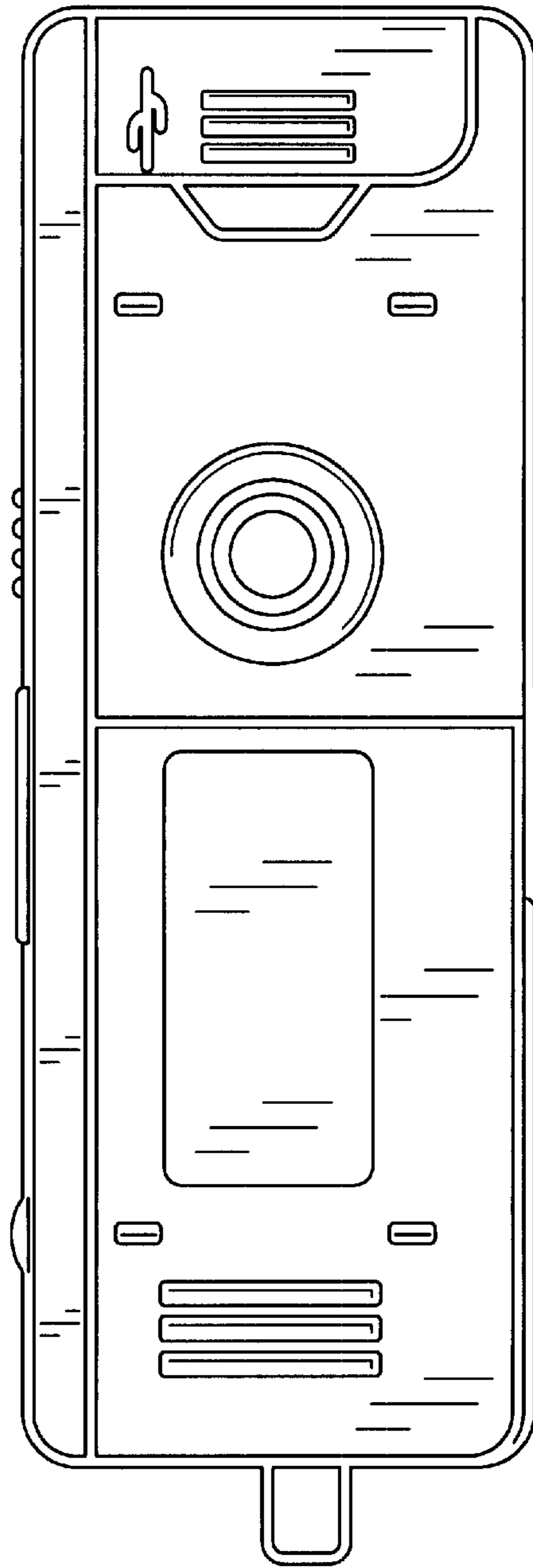


FIG. 3

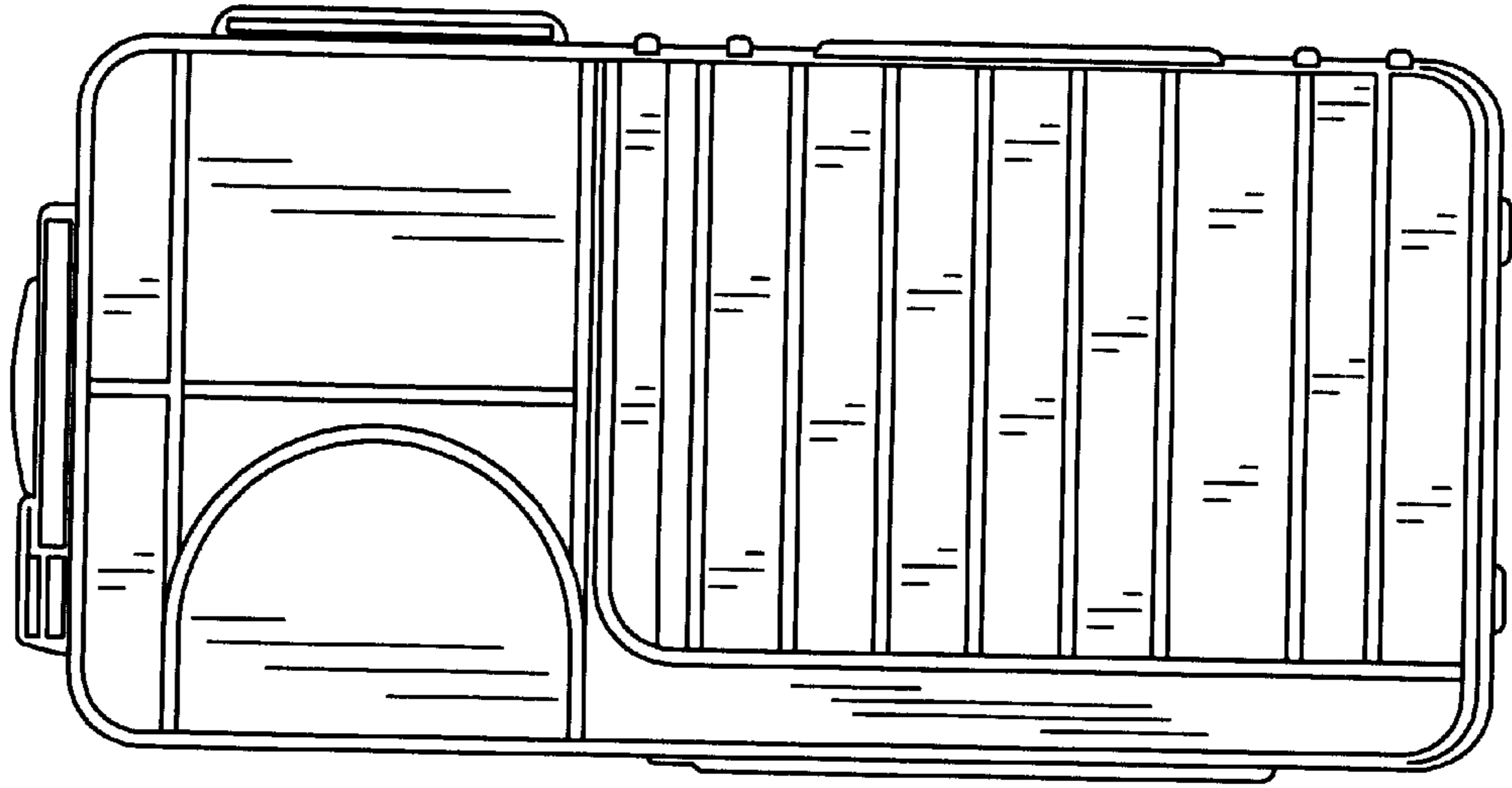


FIG. 6

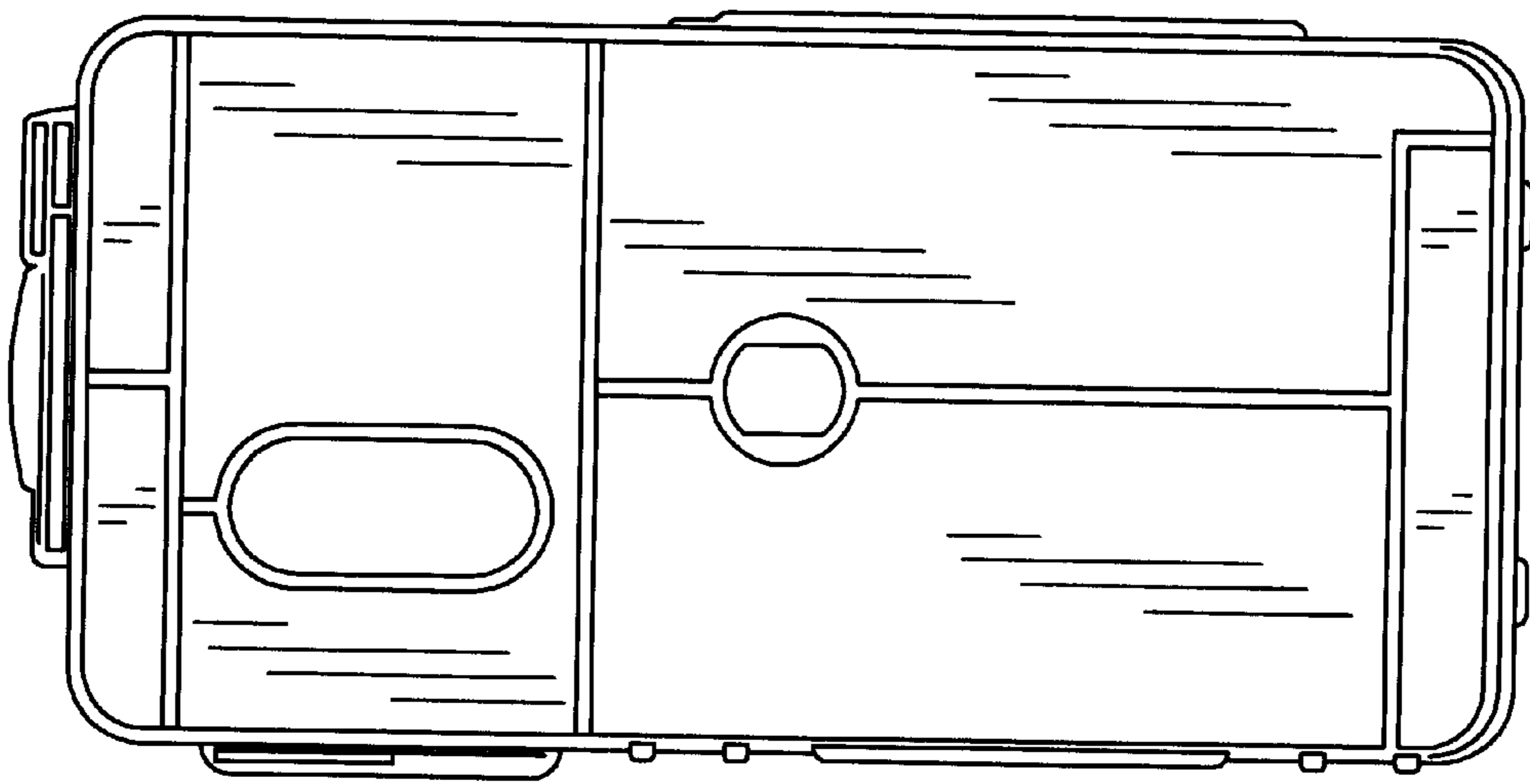


FIG. 4

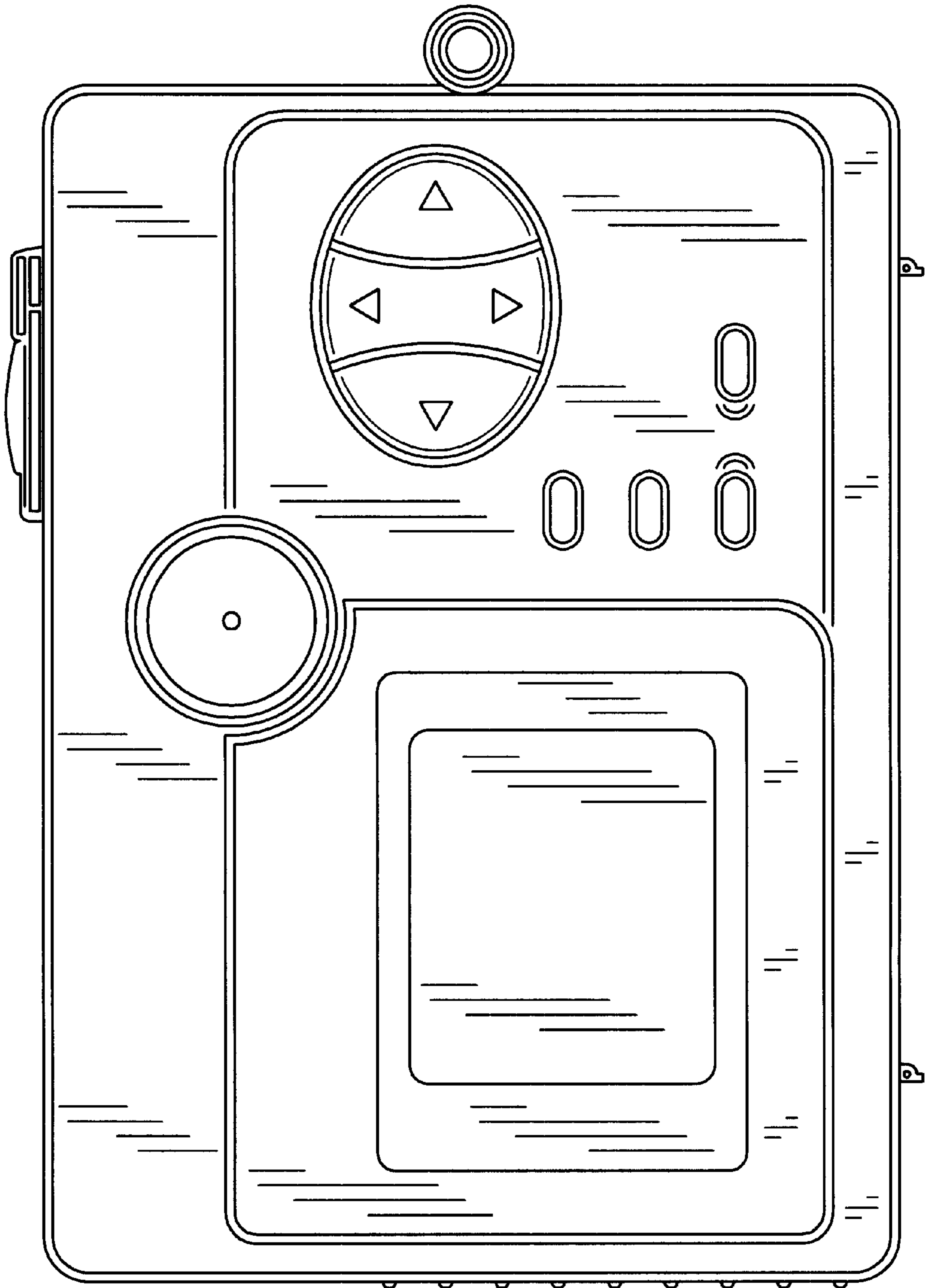


FIG. 5