



US00D486840S

(12) **United States Design Patent**
Beer et al.

(10) **Patent No.:** **US D486,840 S**
(45) **Date of Patent:** **** Feb. 17, 2004**

(54) **OIL TANK FOR TRANSMISSION FLUID FILTER**

6,276,481 B1 * 8/2001 Matsuto et al. 180/220
6,318,333 B1 * 11/2001 Narita et al. 123/196 R
6,443,263 B1 * 9/2002 Ito et al. 184/6.5
6,508,224 B2 * 1/2003 Ito et al. 123/196 R

(75) Inventors: **Markus Beer**, Morsbach (DE); **Marco Rosendahl**, Wiehl (DE); **Deitmar Sahm**, Reichshof (DE)

* cited by examiner

(73) Assignee: **IBS Filtran Kunststoff-Metallerzeugnisse GmbH**, Morsbach (DE)

Primary Examiner—Antoine Duval Davis
(74) *Attorney, Agent, or Firm*—Baker & Hostetler LLP

(**) Term: **14 Years**

(57) **CLAIM**

(21) Appl. No.: **29/179,219**

The ornamental design for a oil tank for transmission fluid filter, as shown and described.

(22) Filed: **Apr. 8, 2003**

DESCRIPTION

Related U.S. Application Data

(63) Continuation of application No. 29/156,040, filed on Feb. 25, 2002, now abandoned.

FIG. 1 is a top perspective view of the oil tank for transmission fluid filter, particularly showing the inventive design thereof;

(51) **LOC (7) Cl.** **15-09**

FIG. 2 is a right side elevation view thereof;

(52) **U.S. Cl.** **D15/150**

FIG. 3 is a left side elevation view thereof;

(58) **Field of Search** D15/150; 184/1.5, 184/6.5; 141/98; 123/196 R, 195 R; 180/220, 226, 65.2

FIG. 4 is a top plan view thereof;

FIG. 5 is a bottom plan view thereof;

FIG. 6 is a rear elevation view thereof; and,

FIG. 7 is a front elevation view thereof.

(56) **References Cited**

U.S. PATENT DOCUMENTS

5,915,499 A * 6/1999 Few 184/1.5

1 Claim, 4 Drawing Sheets

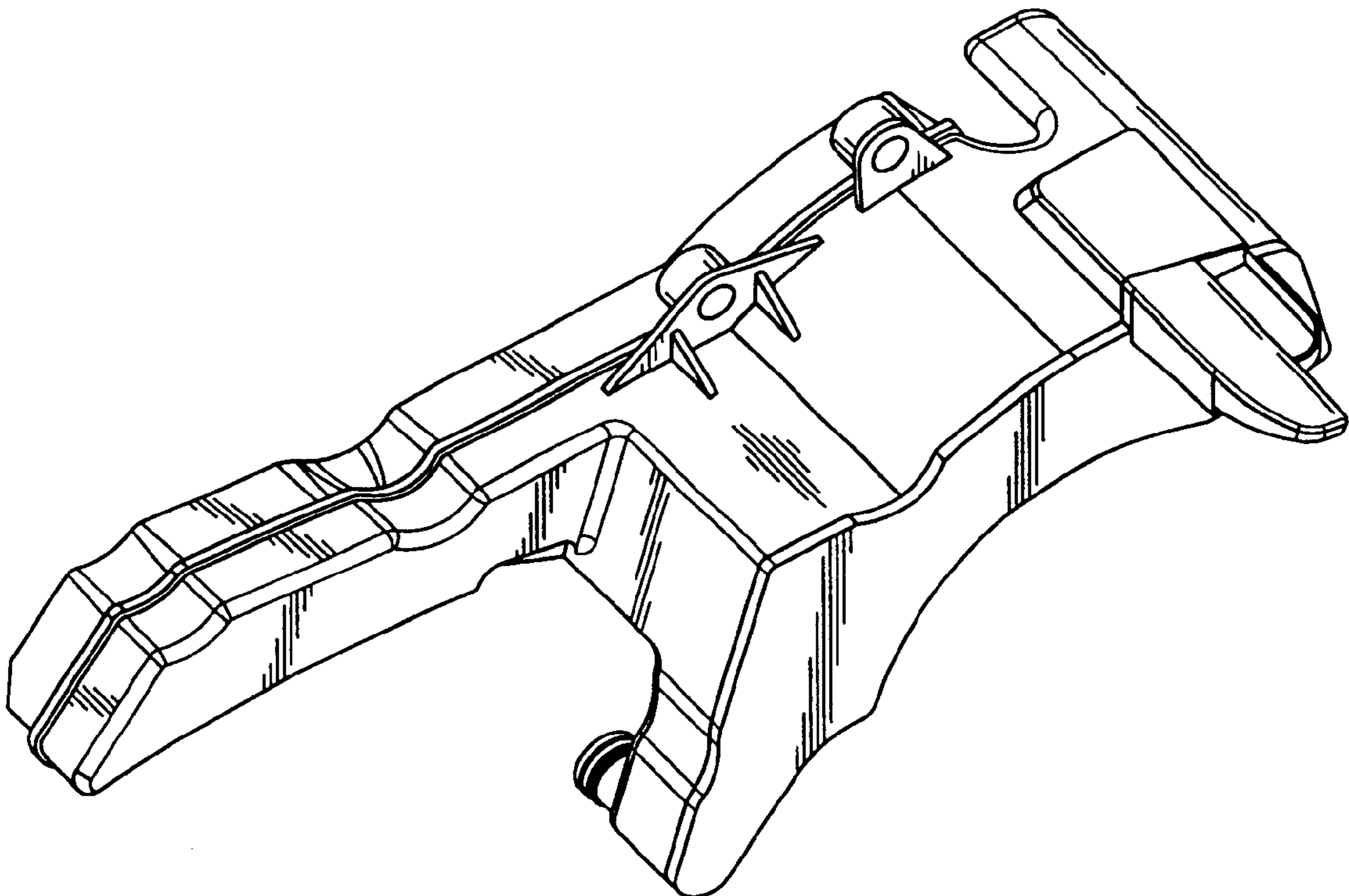


Fig. 1

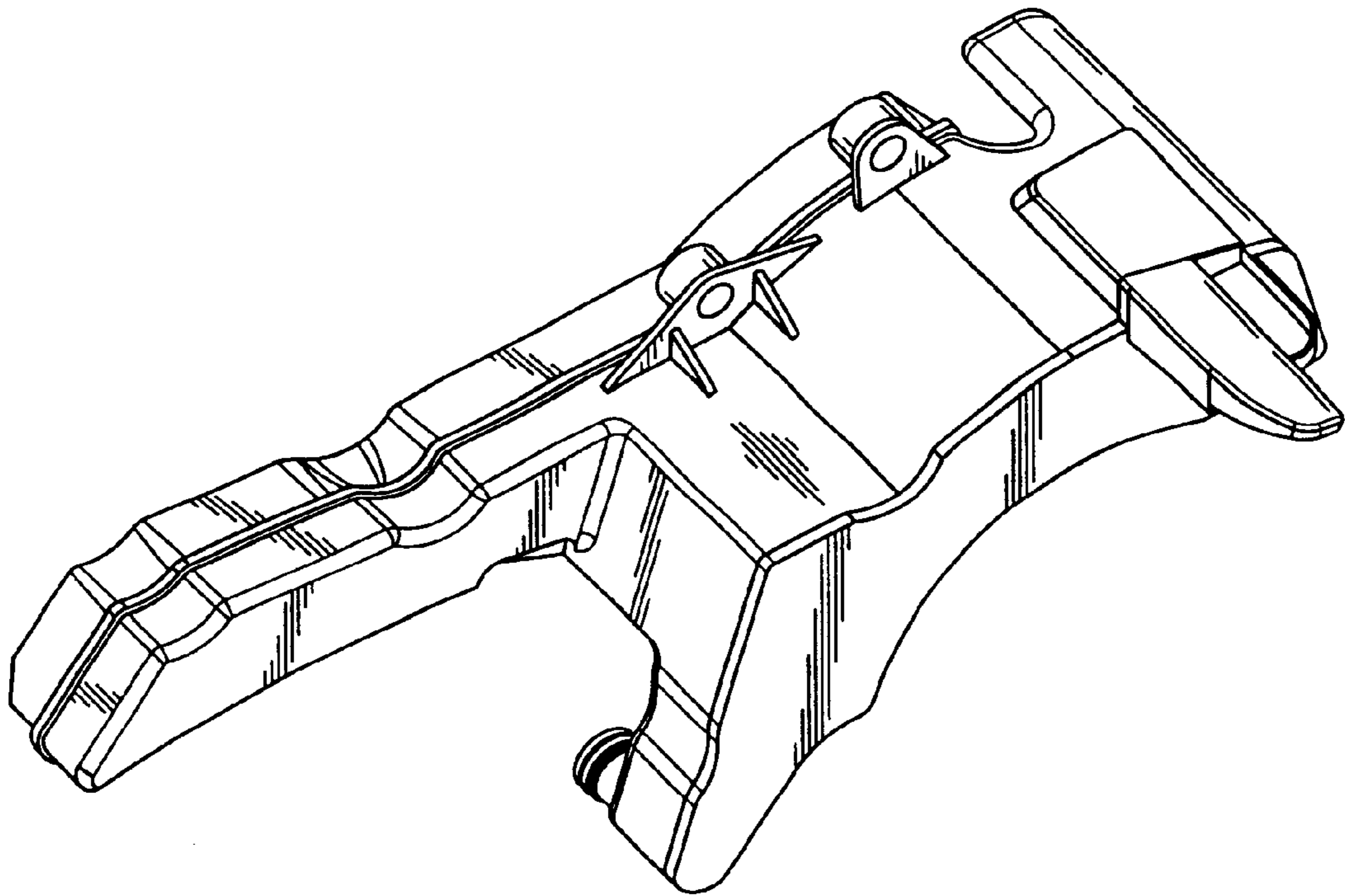


Fig. 2

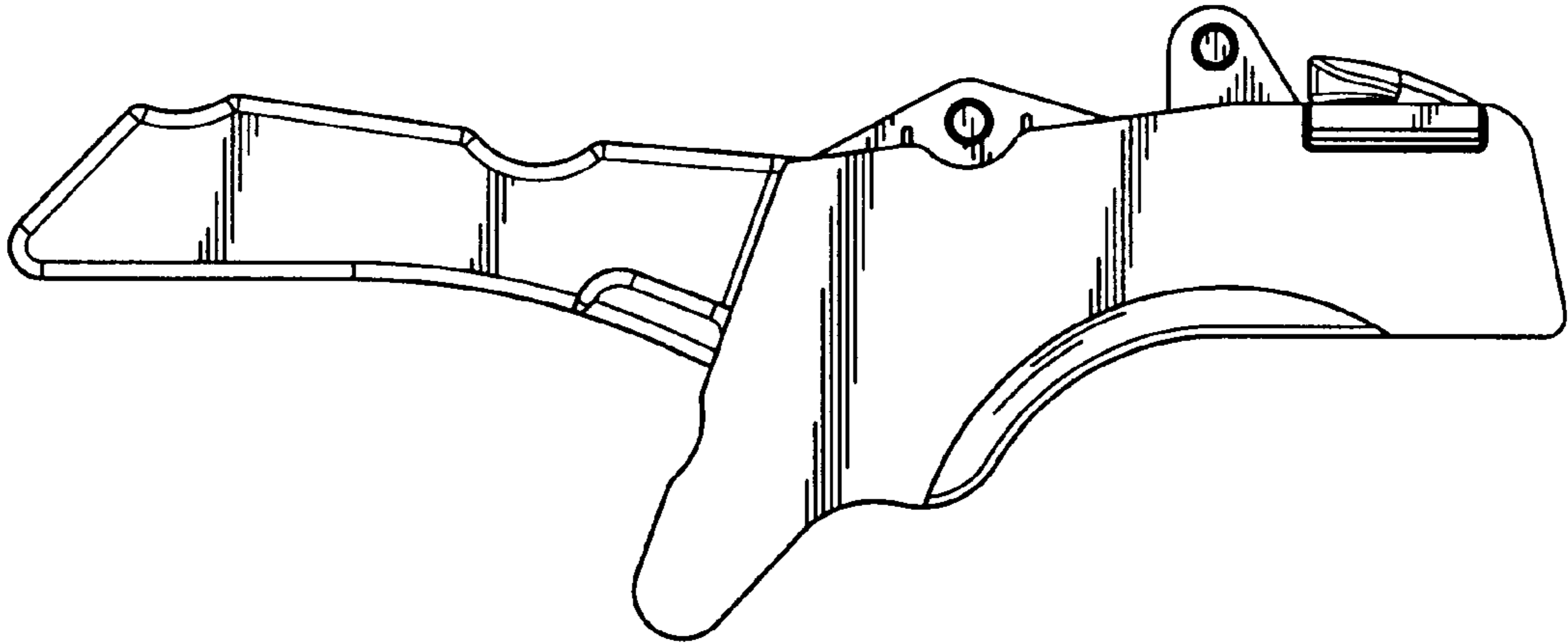


Fig. 3

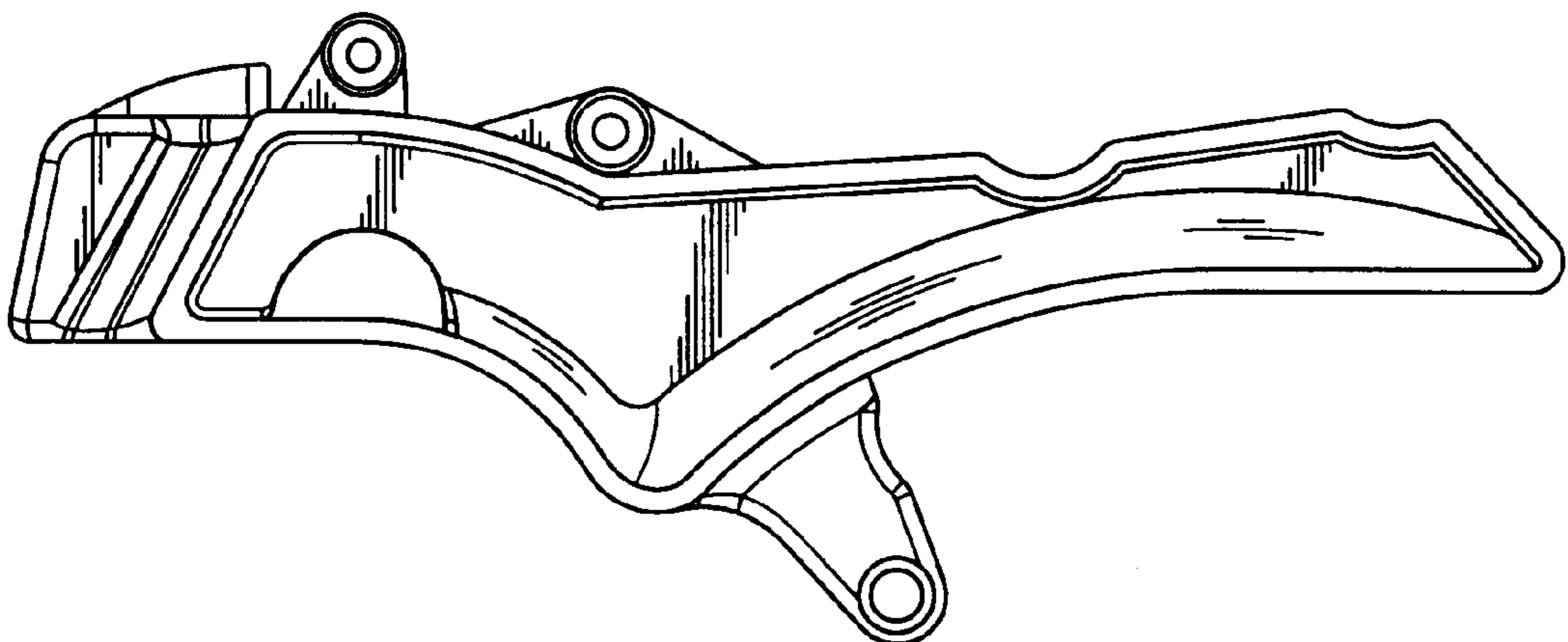


Fig. 4

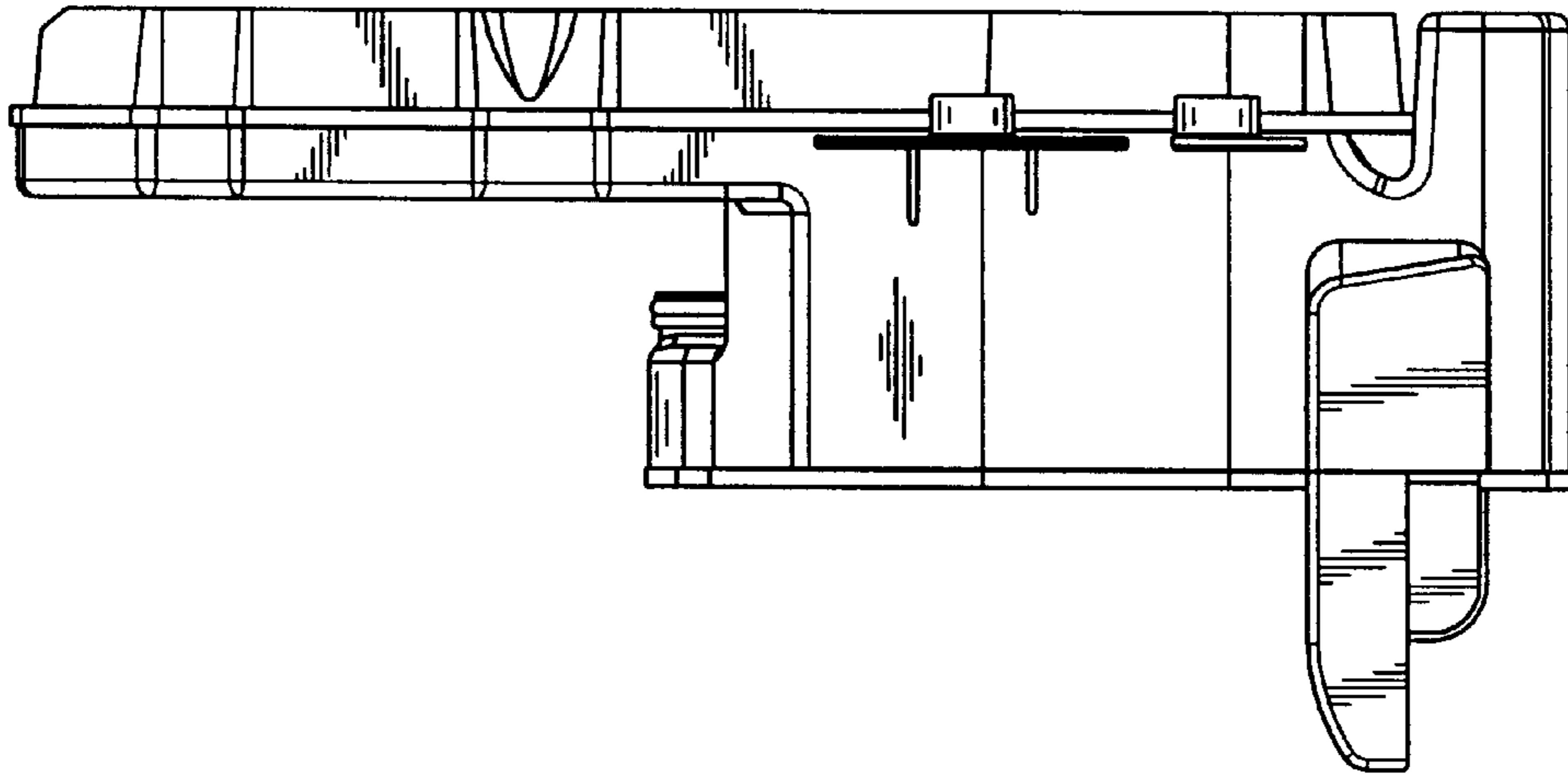


Fig. 5

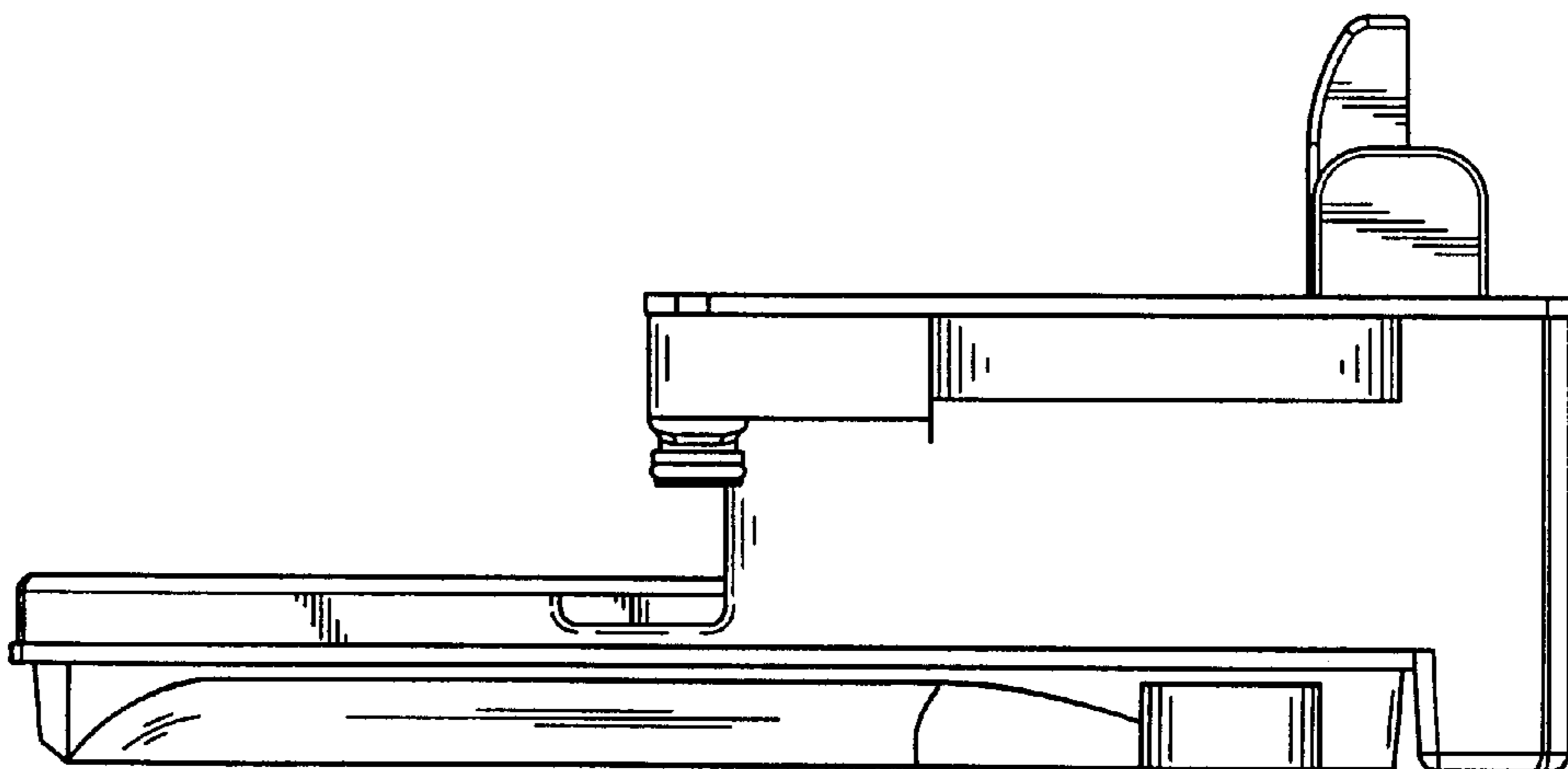


Fig. 6

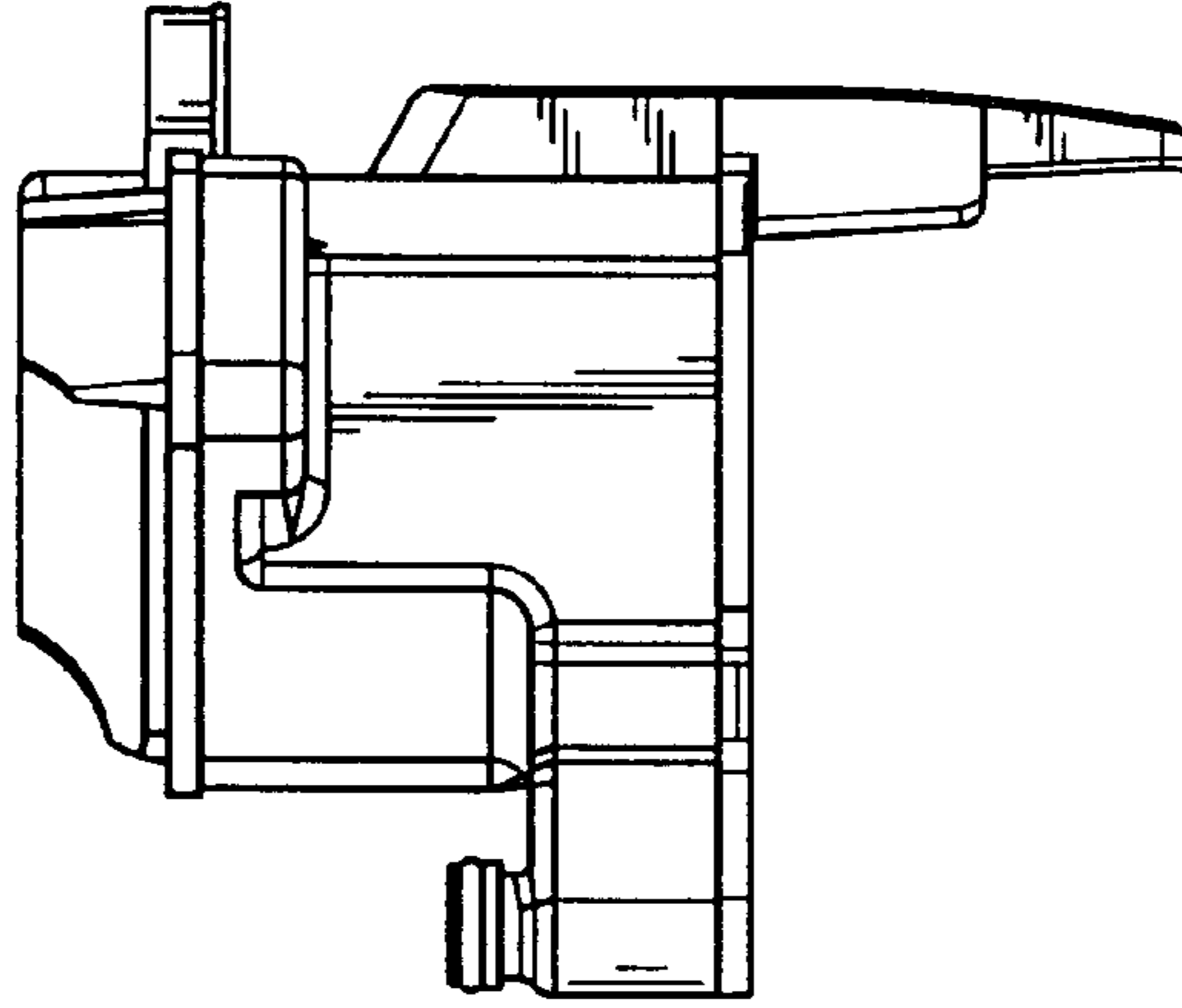


Fig. 7

