



US00D486839S

(12) **United States Design Patent**
Sunagawa et al.

(10) **Patent No.:** **US D486,839 S**
(45) **Date of Patent:** **** Feb. 17, 2004**

(54) **GRINDING DISC**

(75) Inventors: **Katsuji Sunagawa**, Hirakata (JP);
Hisayuki Murata, Joyo (JP)

(73) Assignee: **Sanwa Kenma, Ltd.** (JP)

(**) Term: **14 Years**

(21) Appl. No.: **29/175,294**

(22) Filed: **Feb. 1, 2003**

(51) **LOC (7) Cl.** **15-09**

(52) **U.S. Cl.** **D15/126; D8/70**

(58) **Field of Search** **D8/70; D15/126;**
83/589, 663, 676; 451/548-551

(56) **References Cited**

U.S. PATENT DOCUMENTS

3,517,466 A *	6/1970	Bouvier	451/548 X
6,371,842 B1 *	4/2002	Romero	451/548 X
6,419,574 B1 *	7/2002	Takahashi et al.	451/548 X

FOREIGN PATENT DOCUMENTS

JP	383532	8/1974
JP	771815	10/1989
JP	771815-1	8/1990
JP	996046	11/1997

* cited by examiner

Primary Examiner—Antoine Duval Davis

(74) *Attorney, Agent, or Firm*—Gerald E. Hespos; Anthony J. Casella

(57) **CLAIM**

The ornamental design for a grinding disc, as shown and described.

DESCRIPTION

FIG. 1 is a front perspective view of a grinding disc showing a first embodiment of our new design;

FIG. 2 is a rear perspective thereof;
 FIG. 3 is a front view thereof;
 FIG. 4 is a rear view thereof;
 FIG. 5 is a left side view thereof, the opposite side being a mirror image of the side shown herein;
 FIG. 6 is a top view thereof, the opposite side being a mirror image of the side shown herein;
 FIG. 7 is a front perspective view of a grinding disc showing a second embodiment of our new design;
 FIG. 8 is a rear perspective thereof;
 FIG. 9 is a front view thereof;
 FIG. 10 is a rear view thereof;
 FIG. 11 is a left side view thereof, the opposite side being a mirror image of the side shown herein;
 FIG. 12 is a top view thereof, the opposite side being a mirror image of the side shown herein;
 FIG. 13 is a front perspective view of a grinding disc showing a third embodiment of our new design;
 FIG. 14 is a rear perspective thereof;
 FIG. 15 is a front view thereof;
 FIG. 16 is a rear view thereof;
 FIG. 17 is a left side view thereof, the opposite side being a mirror image of the side shown herein;
 FIG. 18 is a top view thereof, the opposite side being a mirror image of the side shown herein;
 FIG. 19 is a front perspective view of a grinding disc showing a fourth embodiment of our new design;
 FIG. 20 is a rear perspective thereof;
 FIG. 21 is a front view thereof;
 FIG. 22 is a rear view thereof;
 FIG. 23 is a left side view thereof, the opposite side being a mirror image of the side shown herein;
 FIG. 24 is a top view thereof; and,
 FIG. 25 is a bottom view thereof.

1 Claim, 13 Drawing Sheets

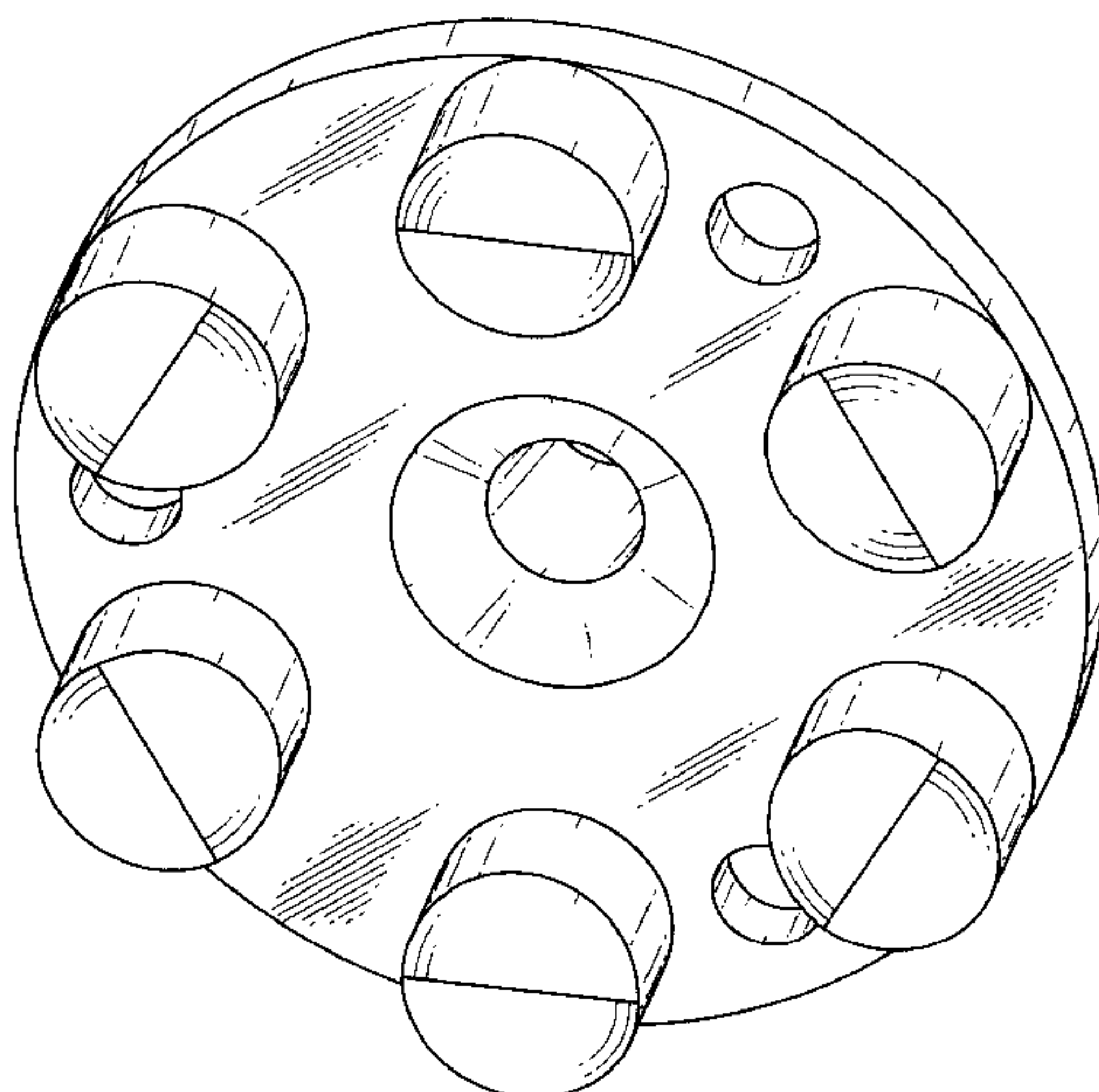


Fig. 1

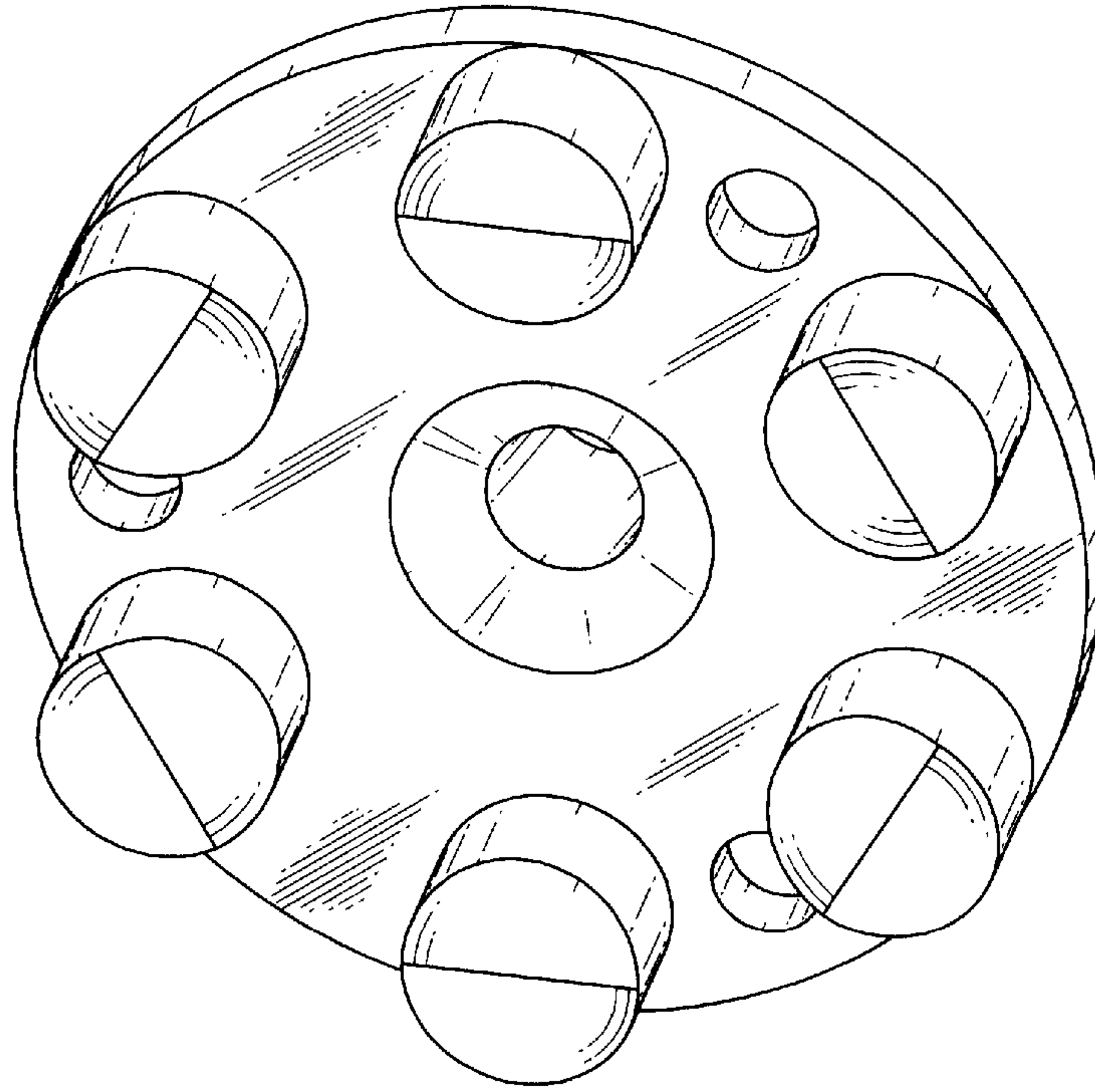


Fig. 2

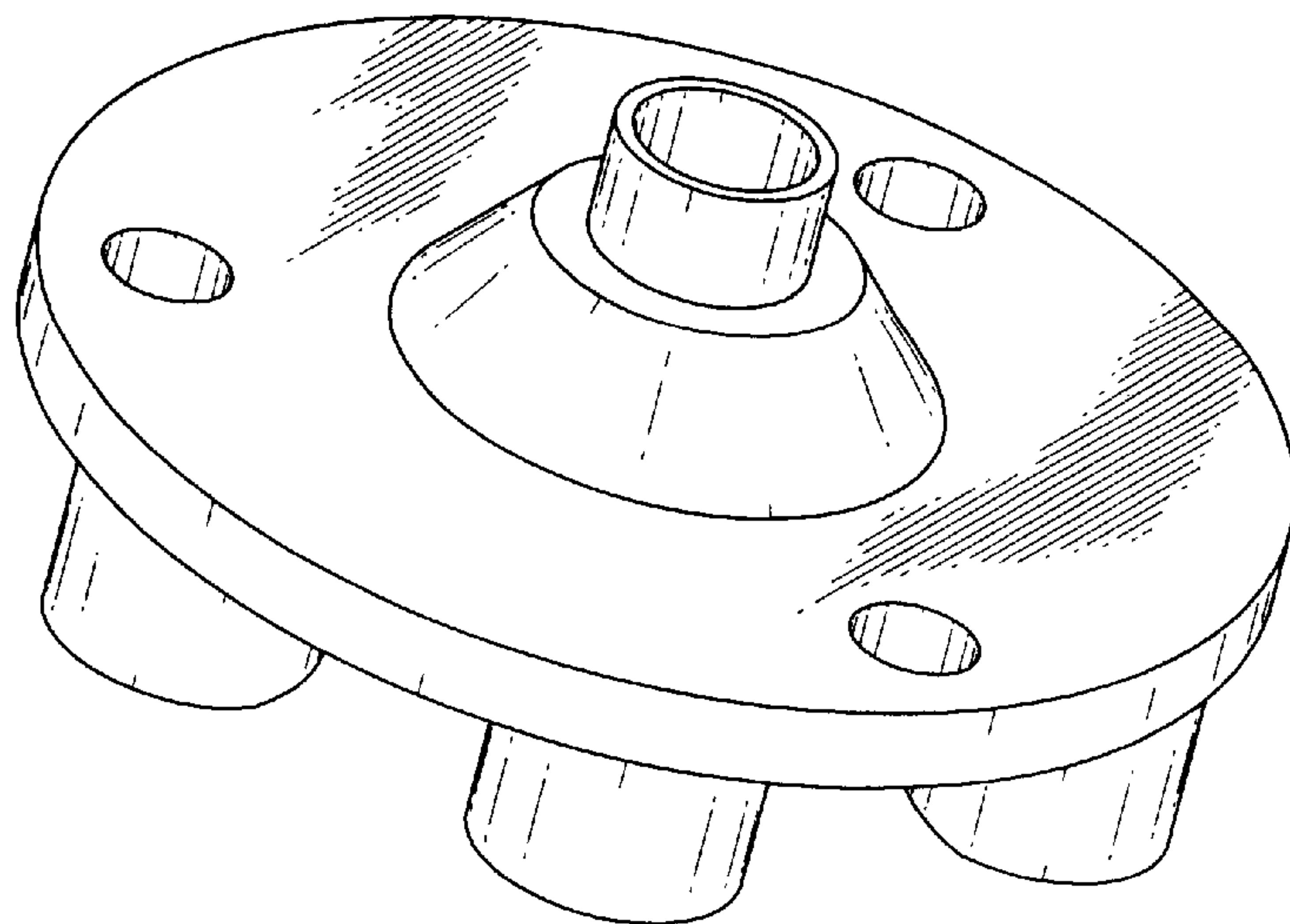


Fig. 3

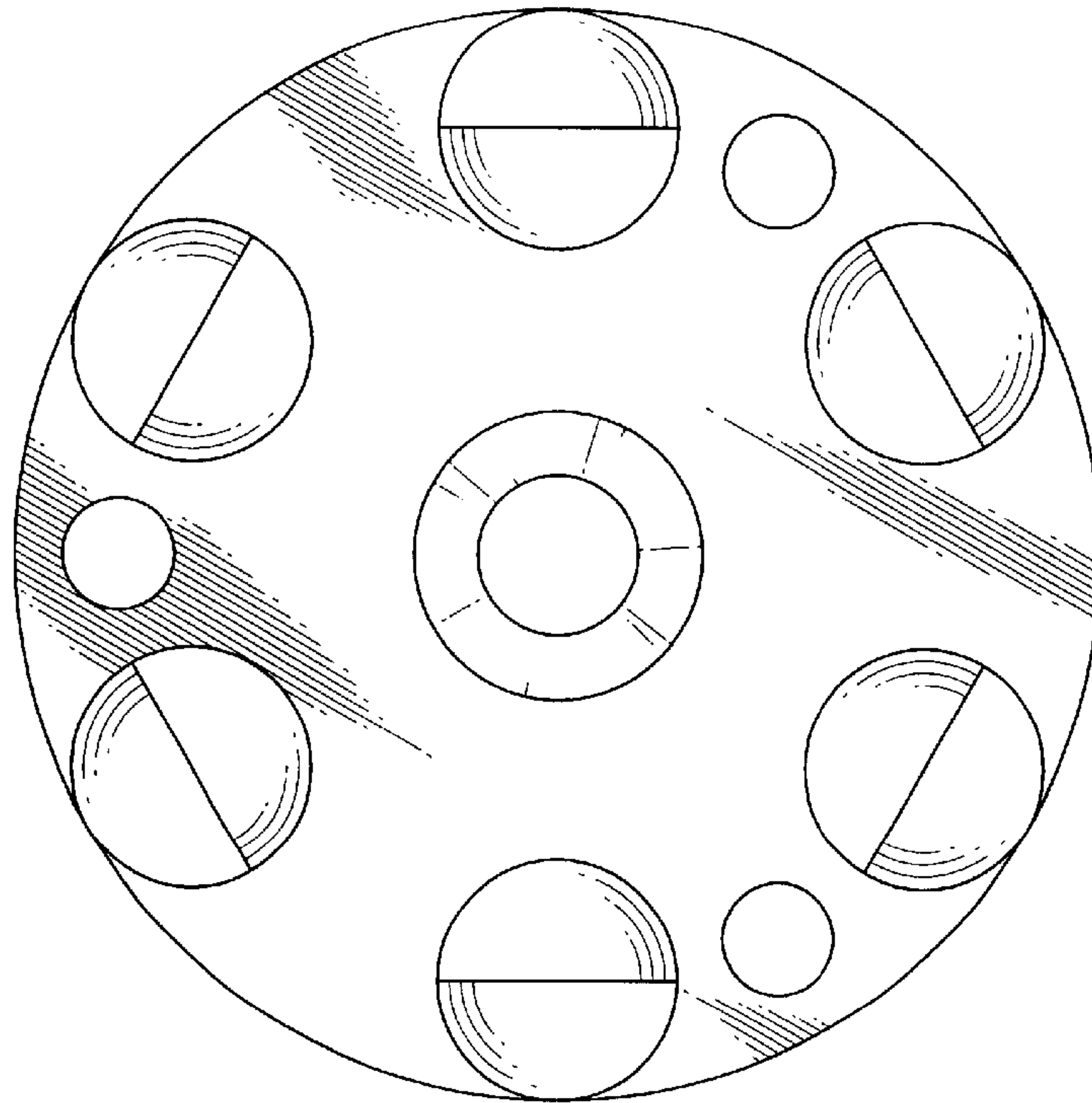


Fig. 4

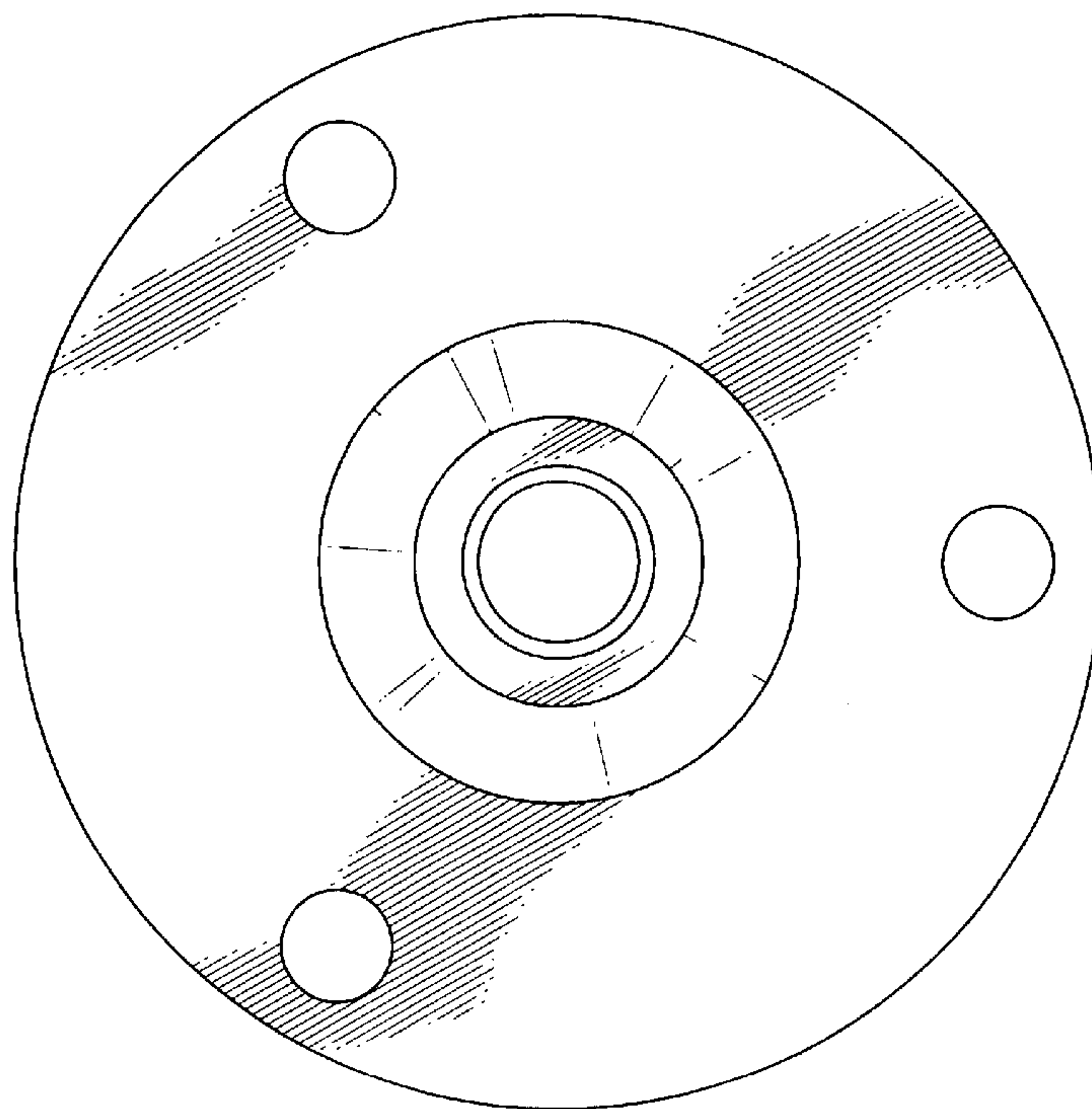


Fig. 5

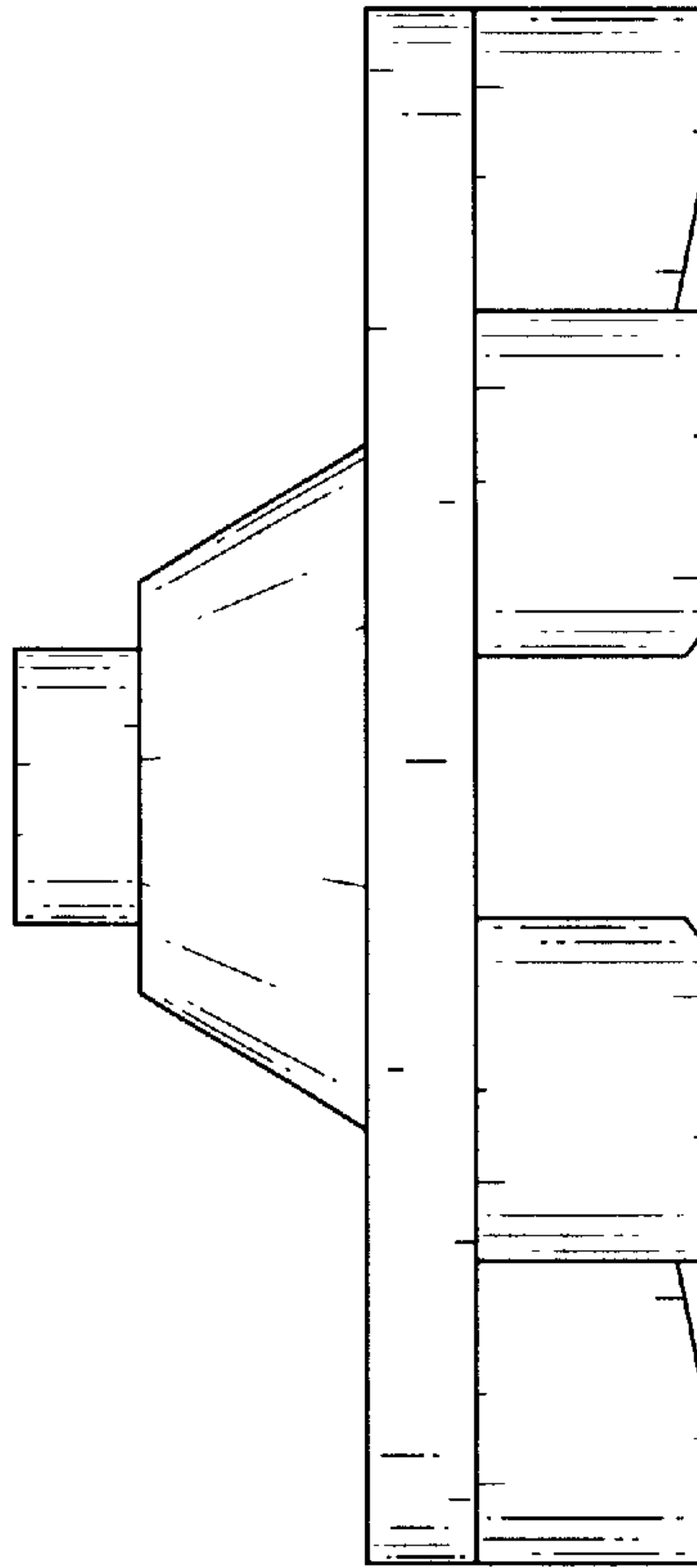


Fig. 6

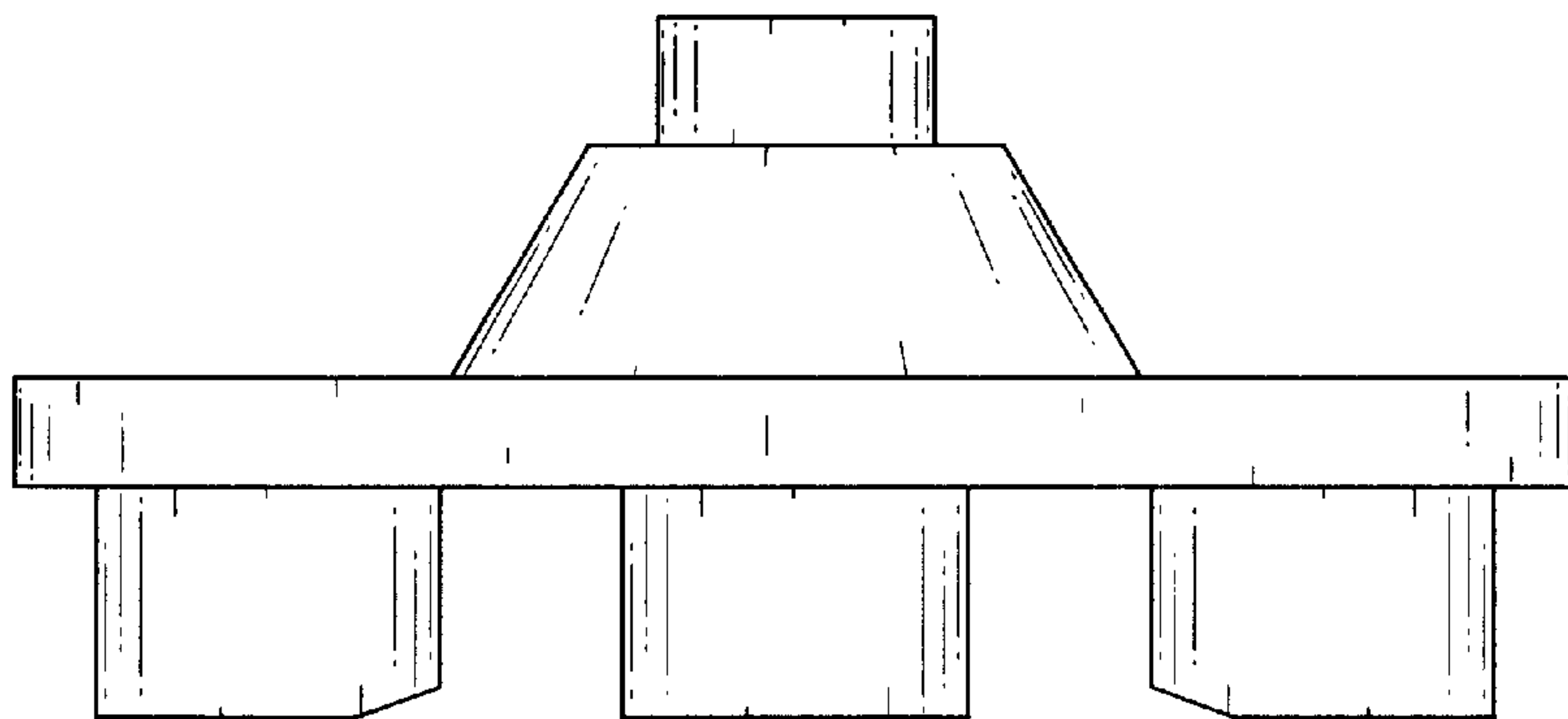


Fig. 7

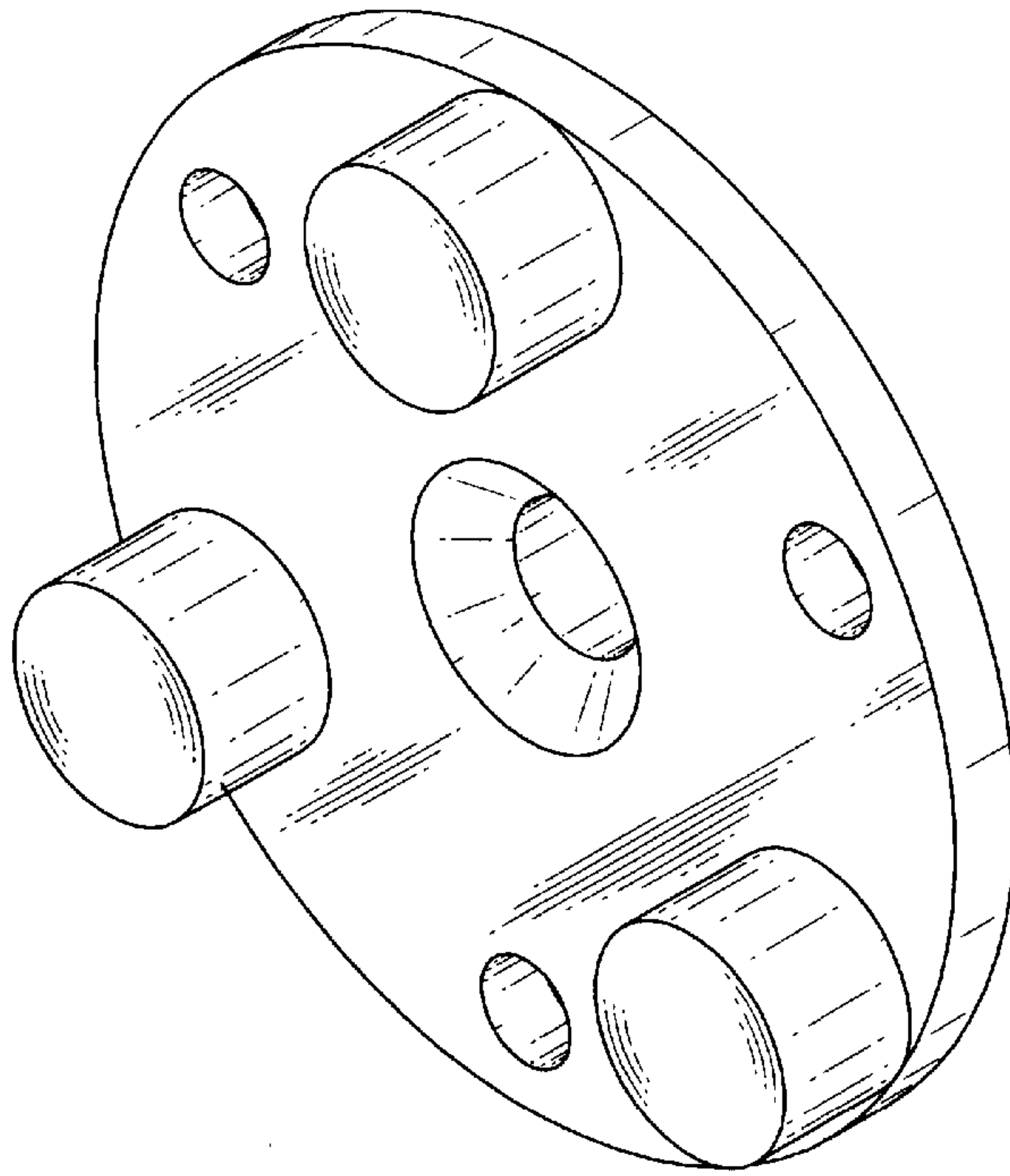


Fig. 8

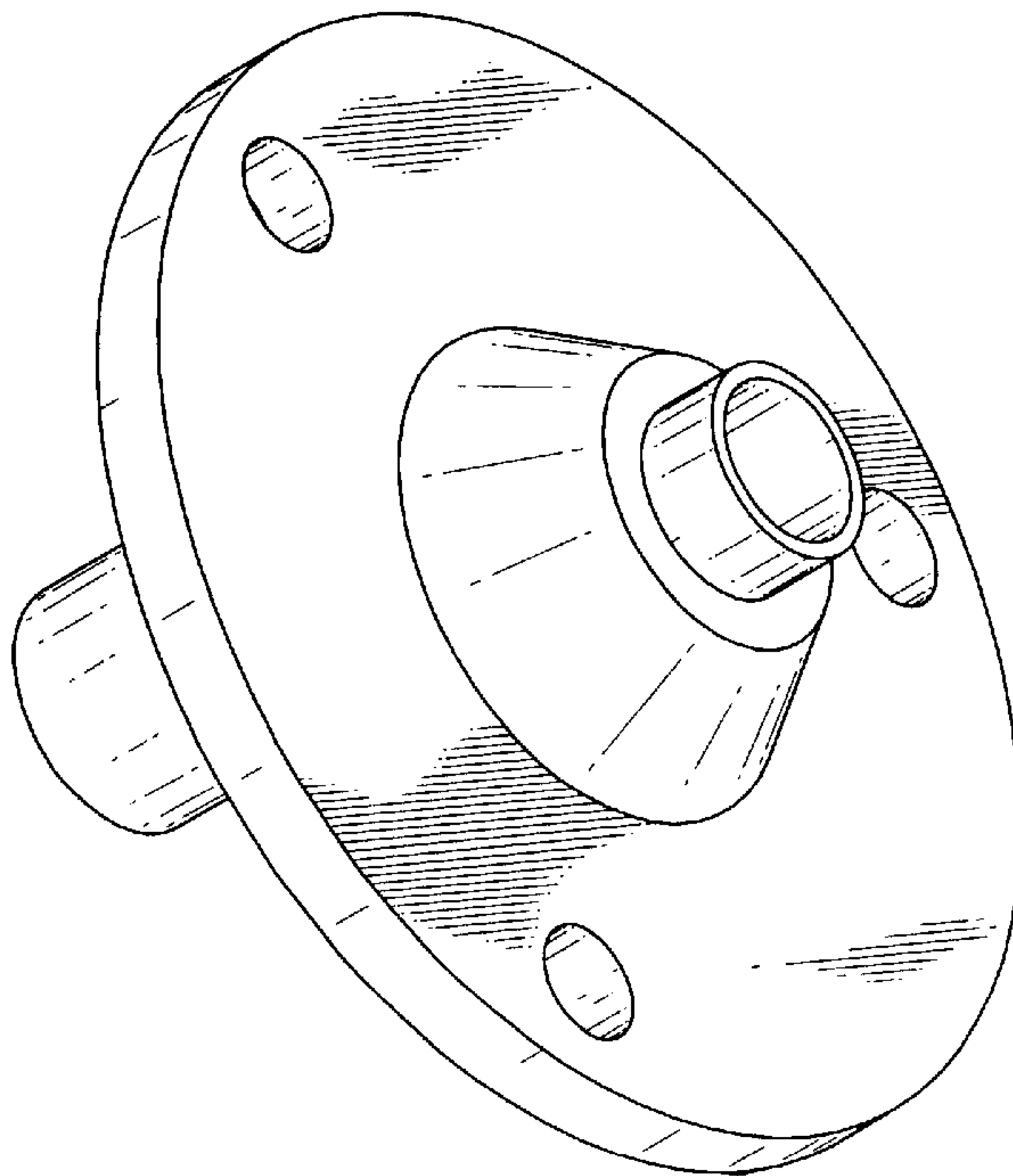


Fig. 9

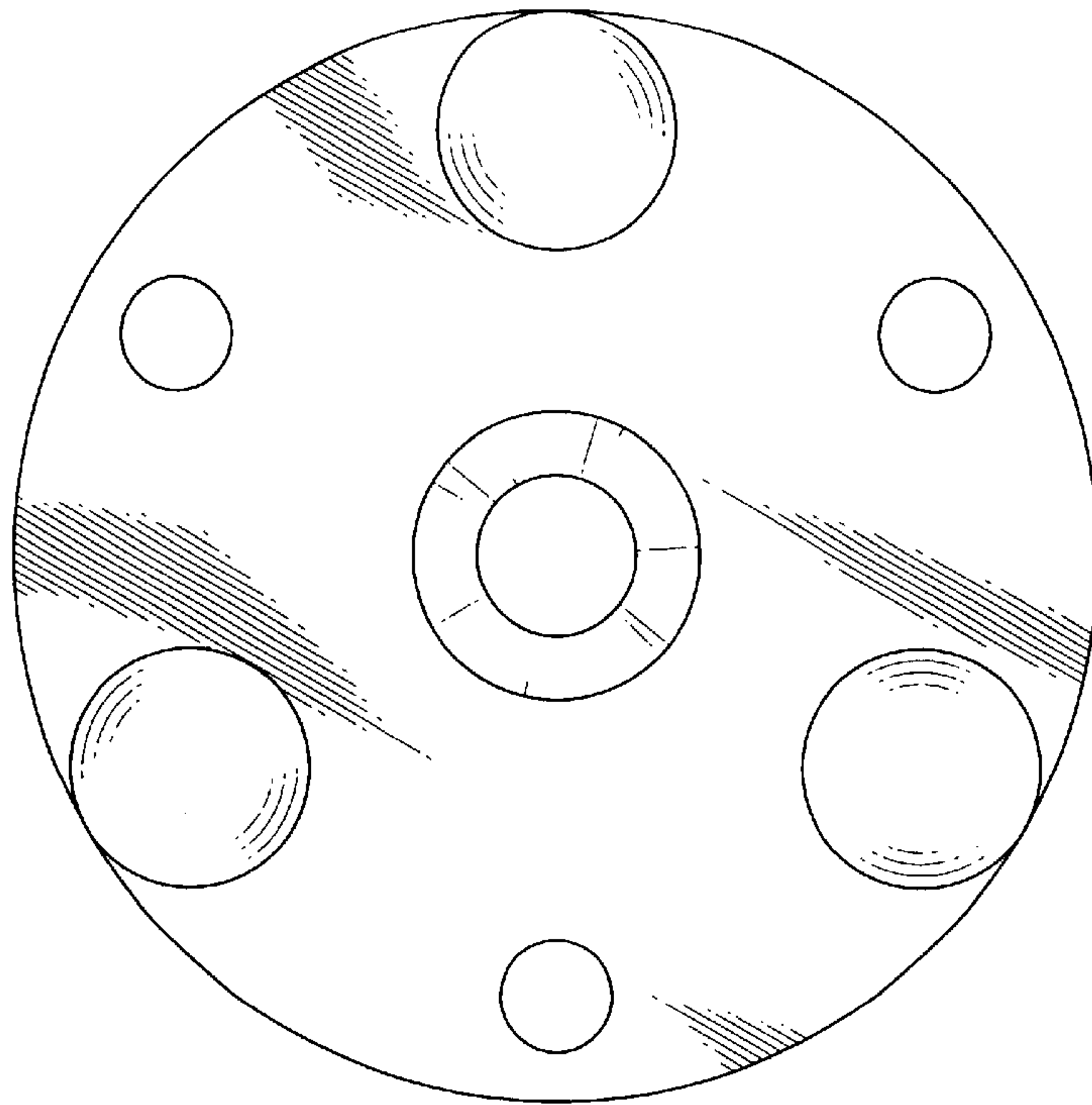


Fig. 10

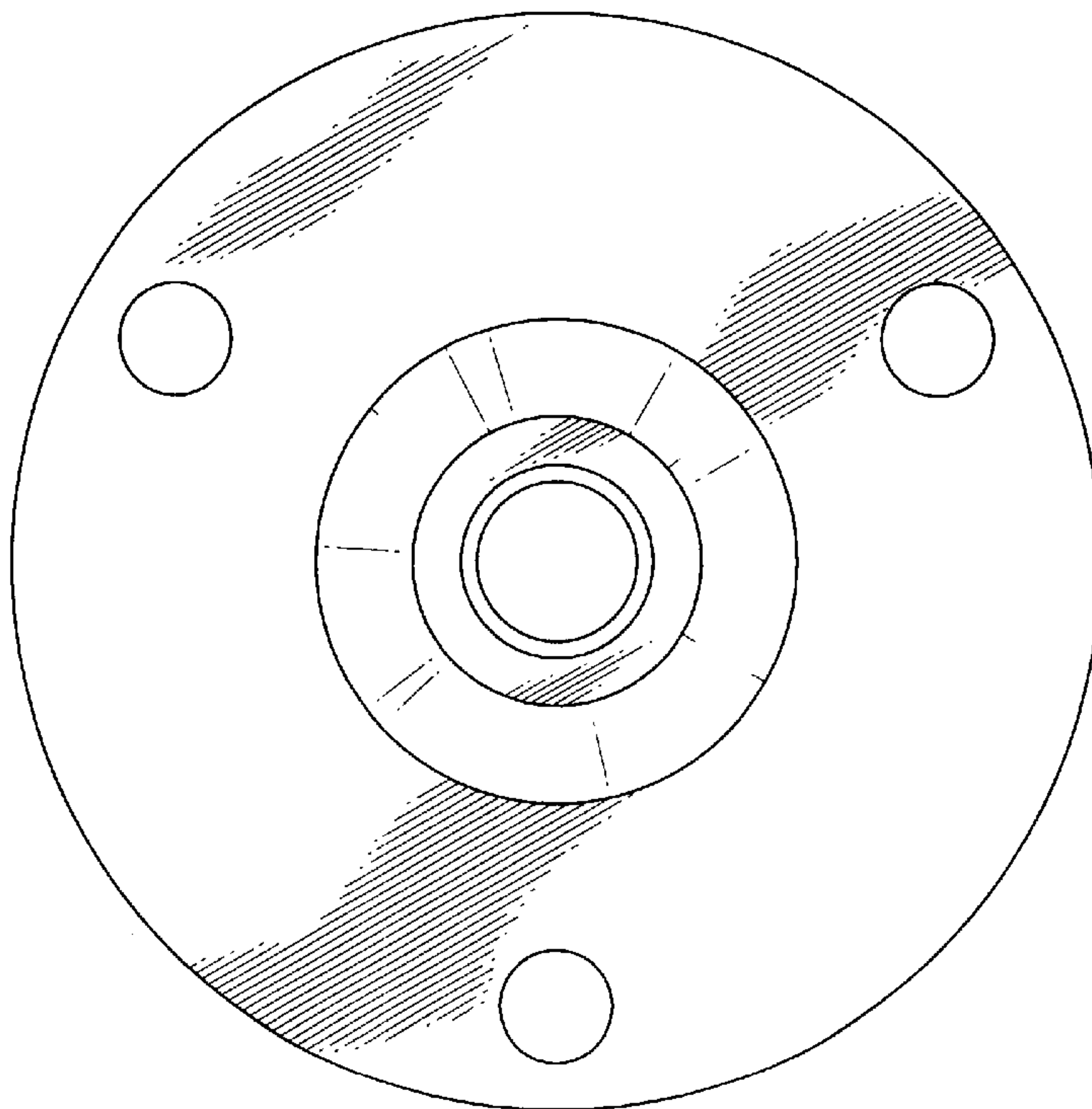


Fig. 11

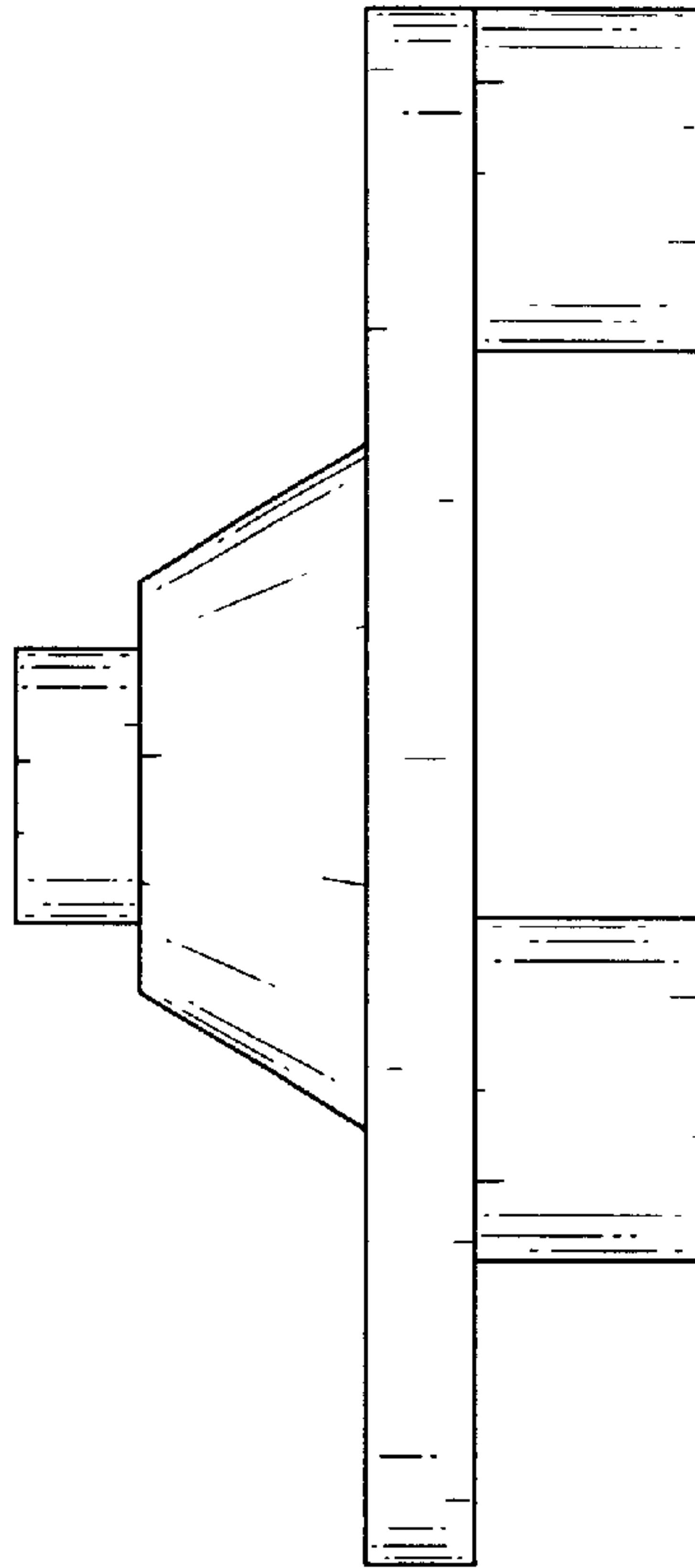


Fig. 12

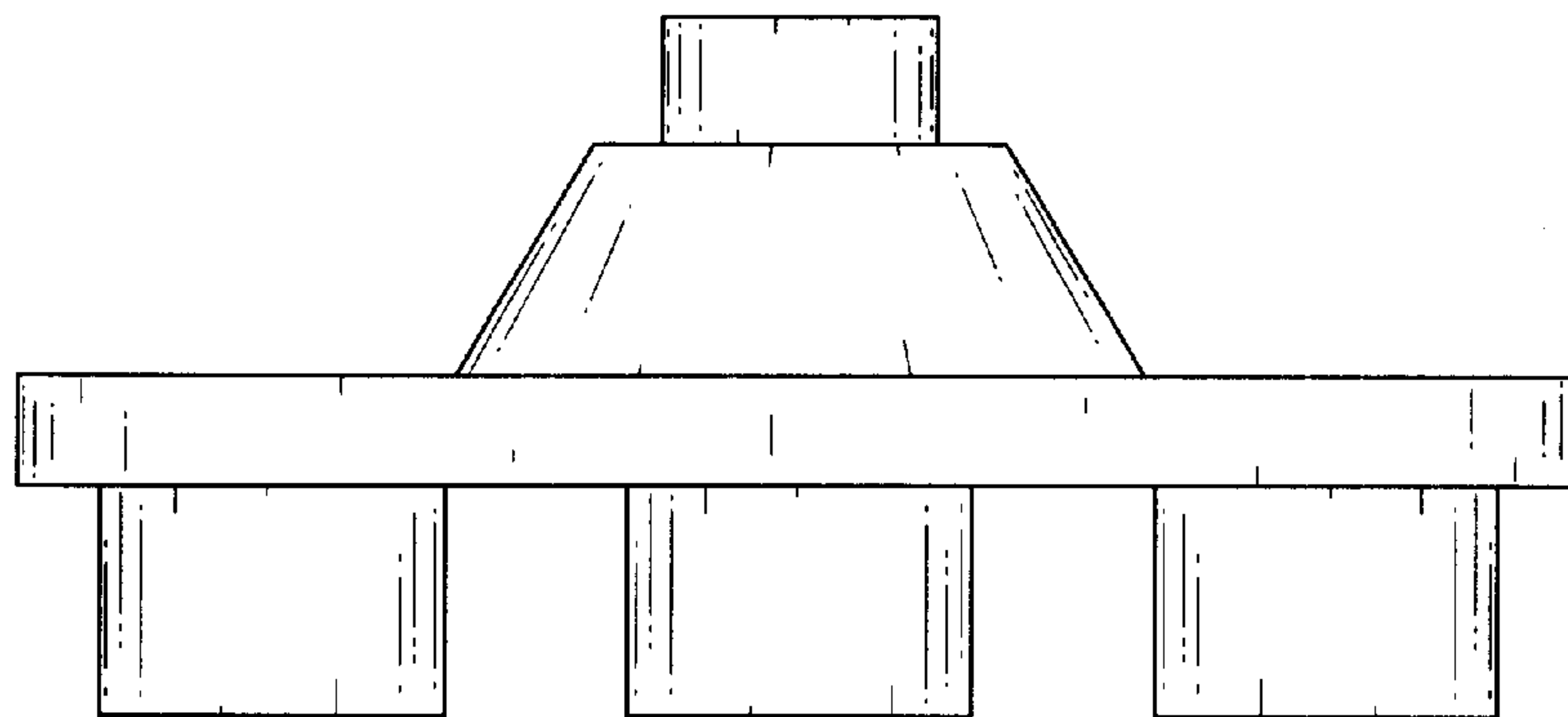


Fig. 13

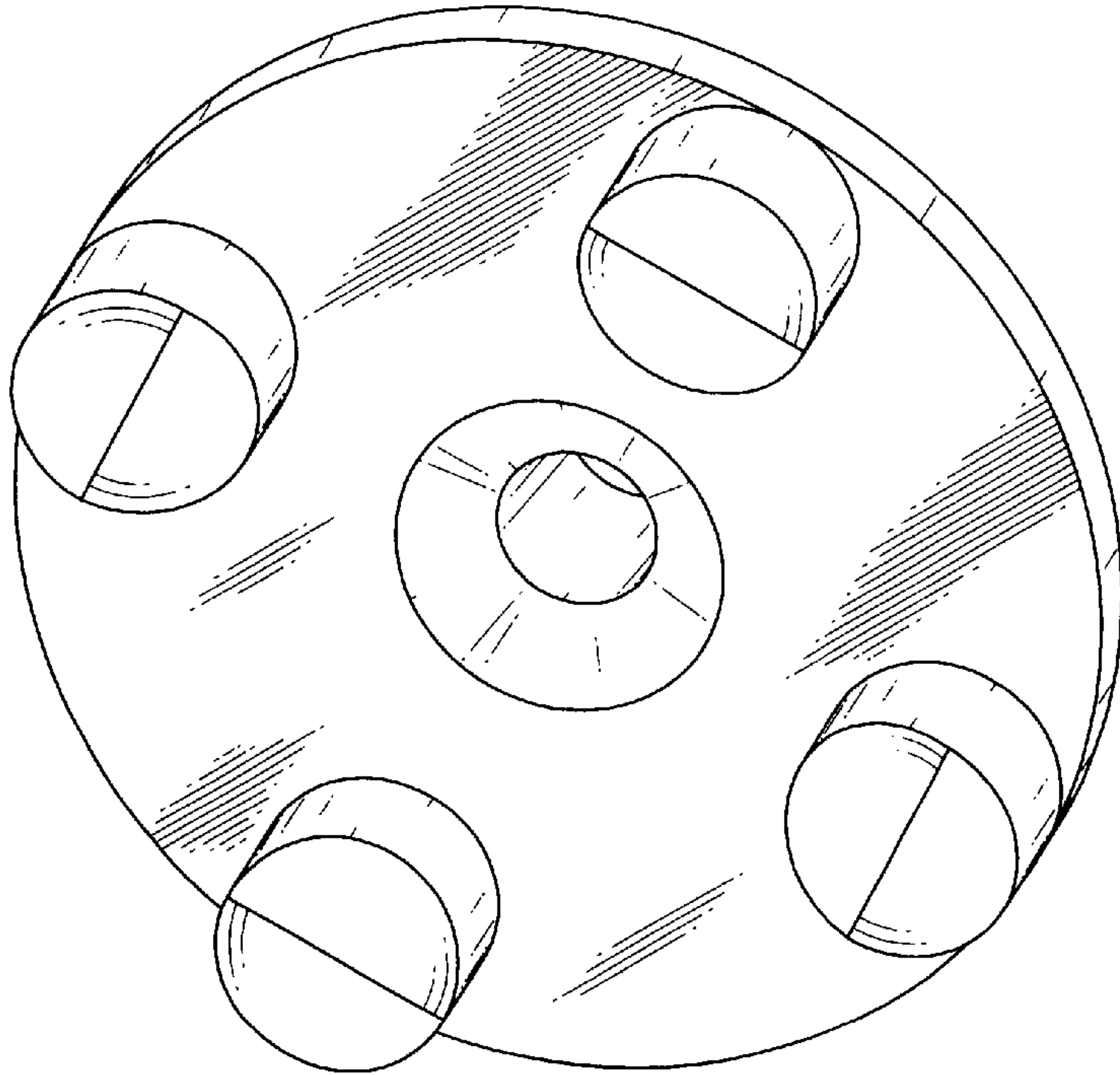


Fig. 14

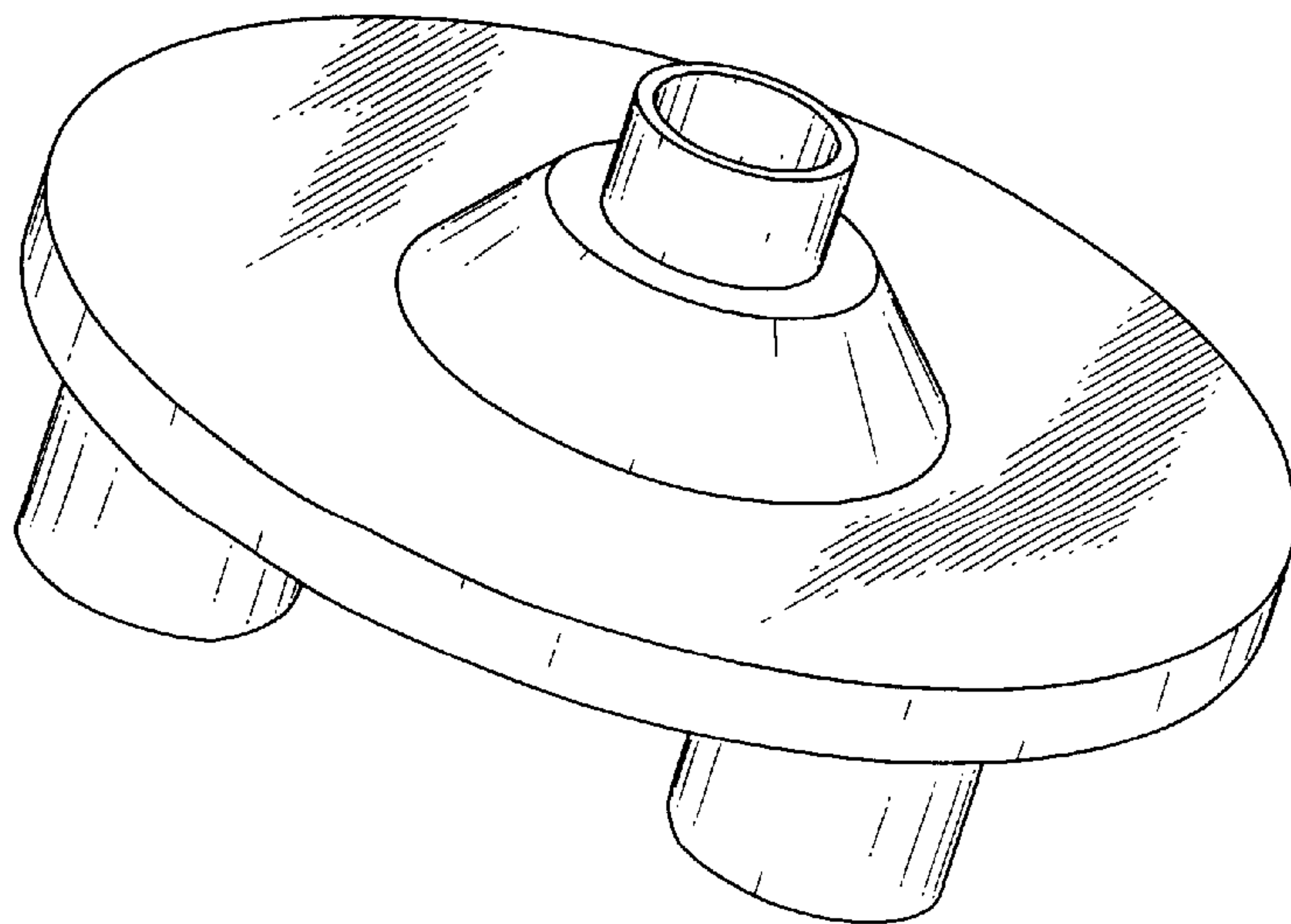


Fig. 15

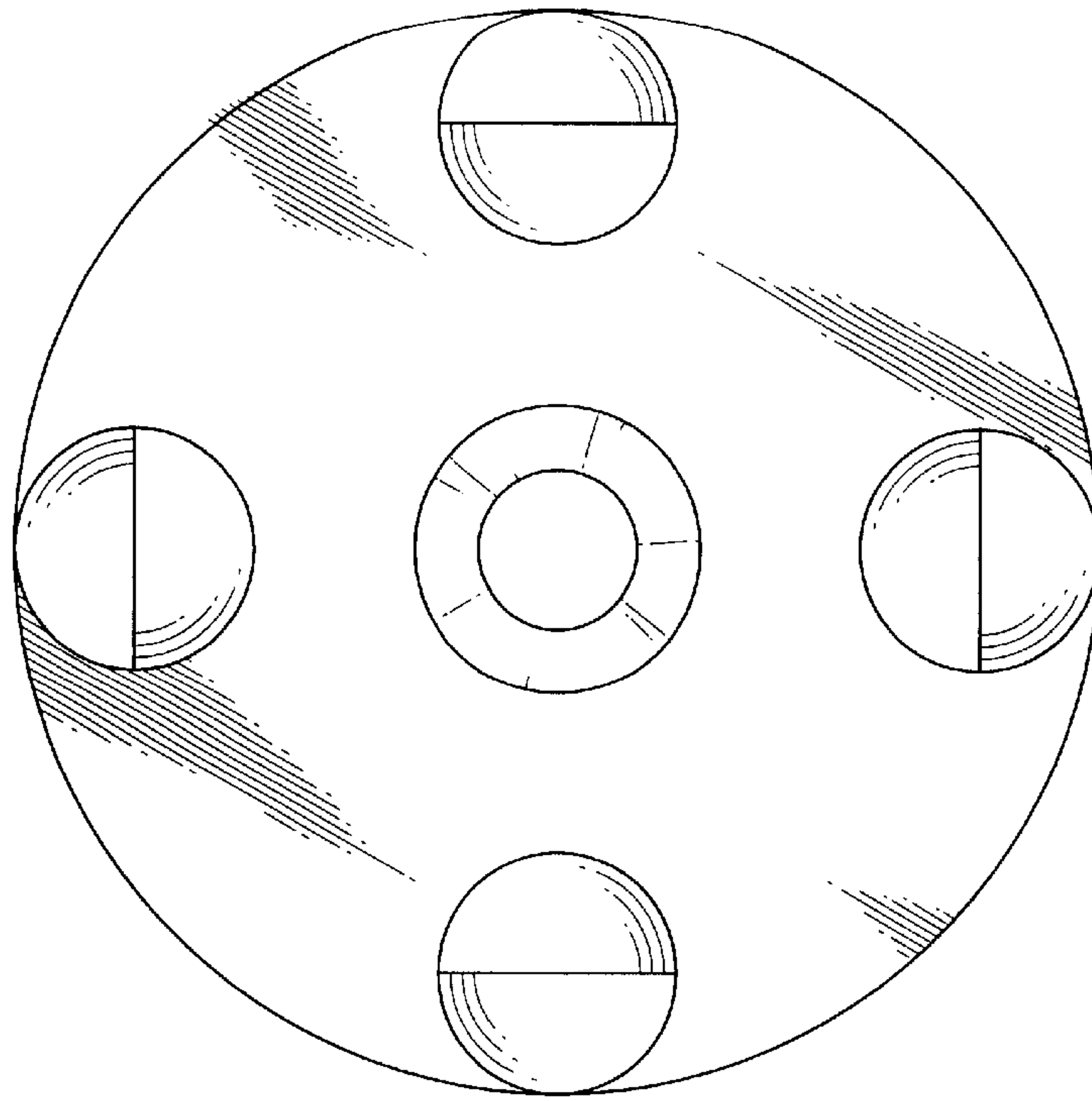


Fig. 16



Fig. 17

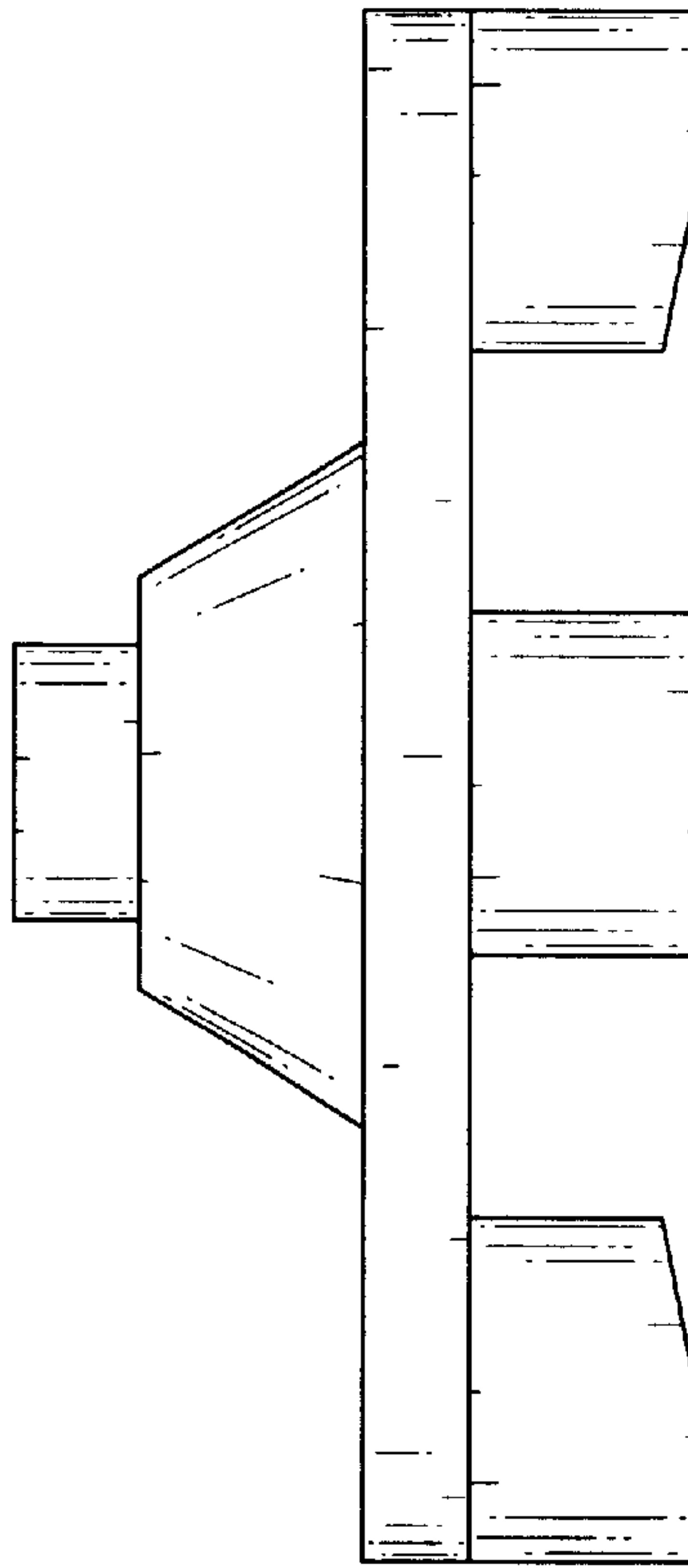


Fig. 18

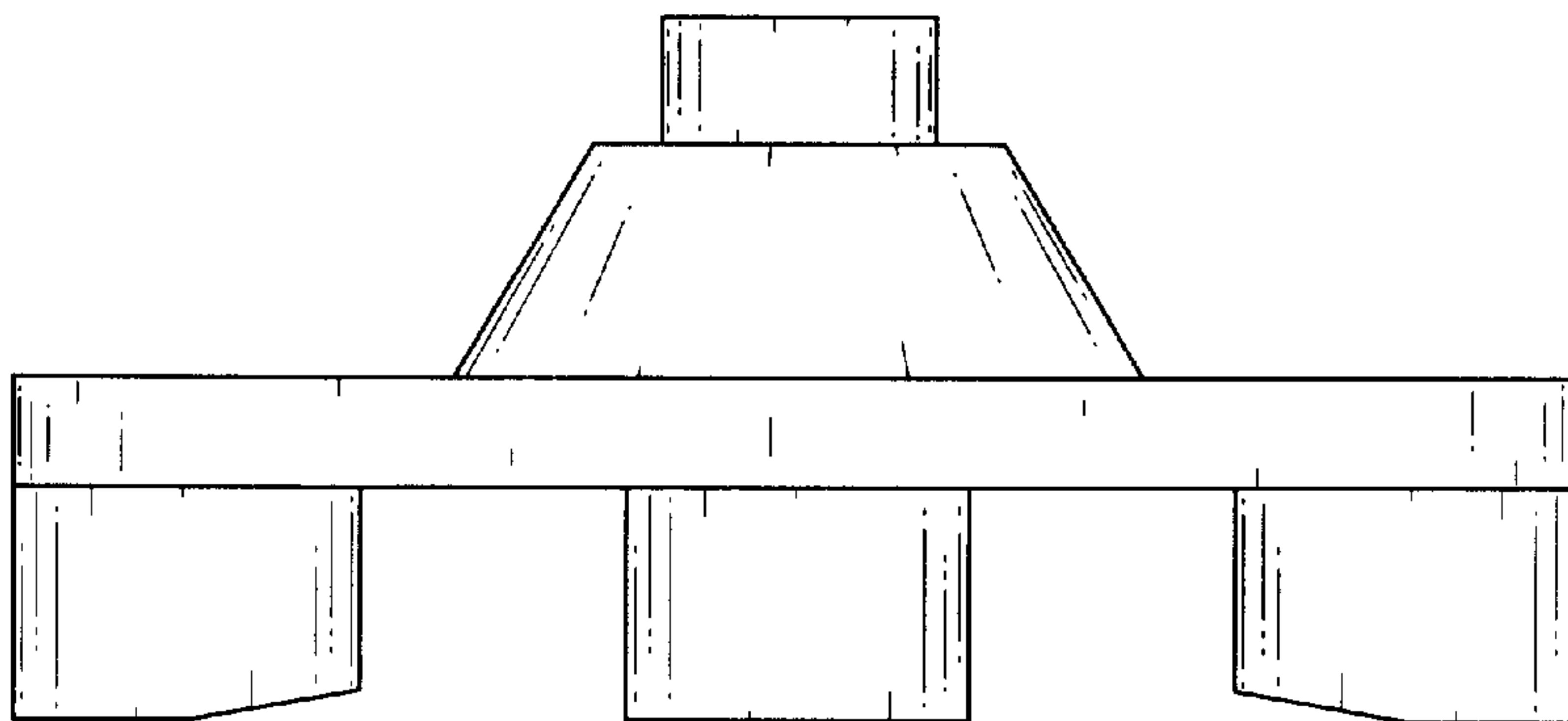


Fig. 19

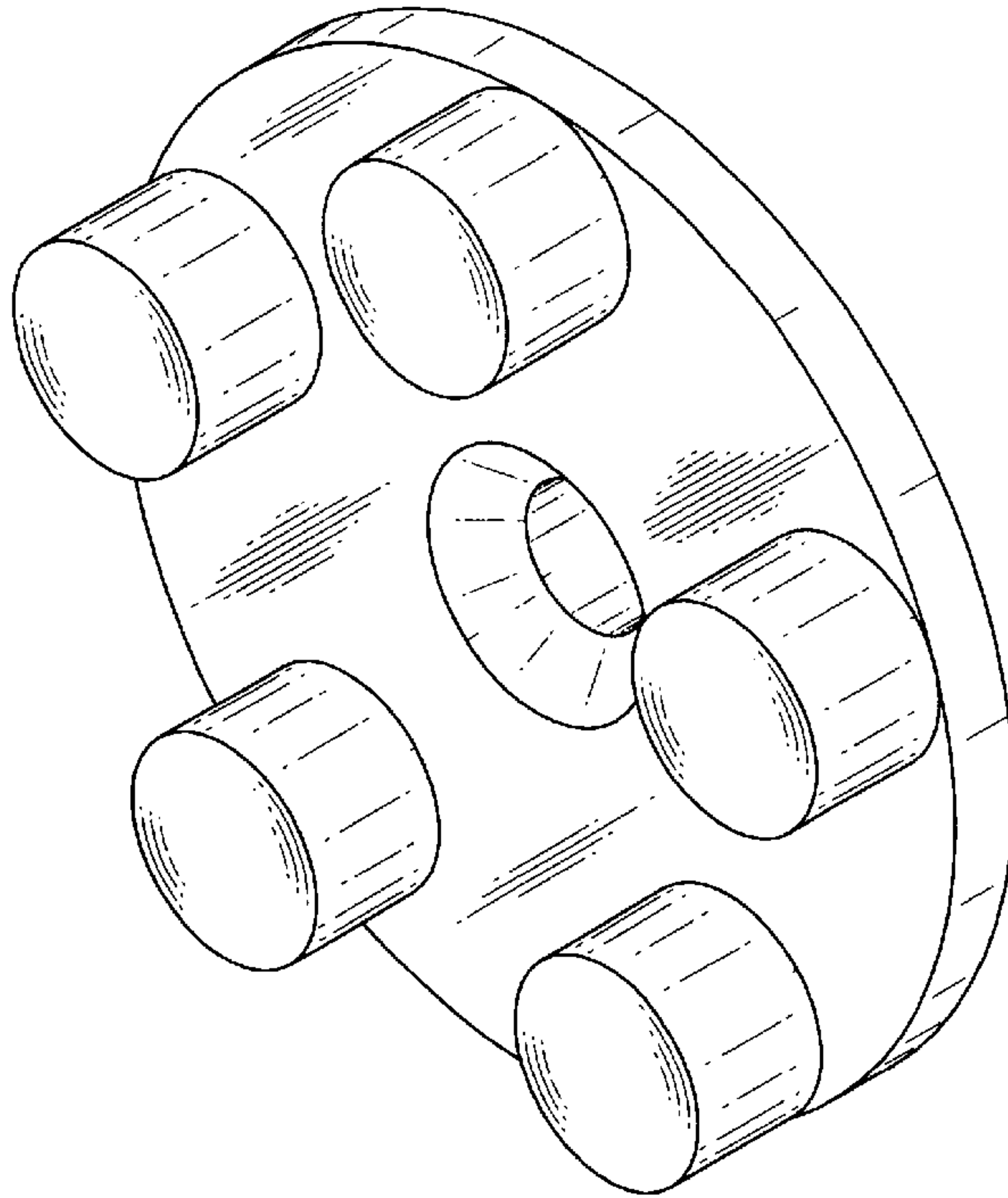


Fig. 20

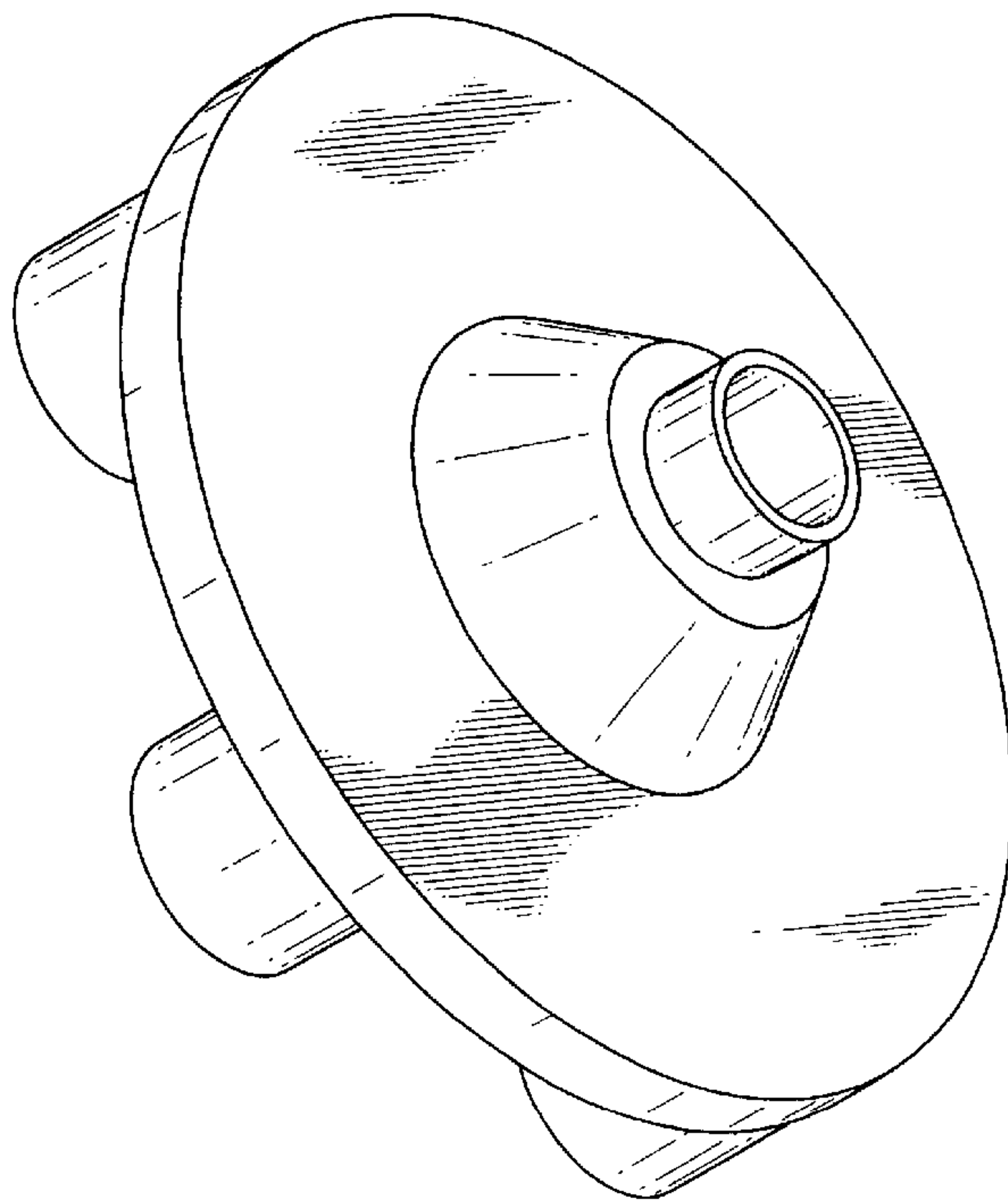


Fig. 21

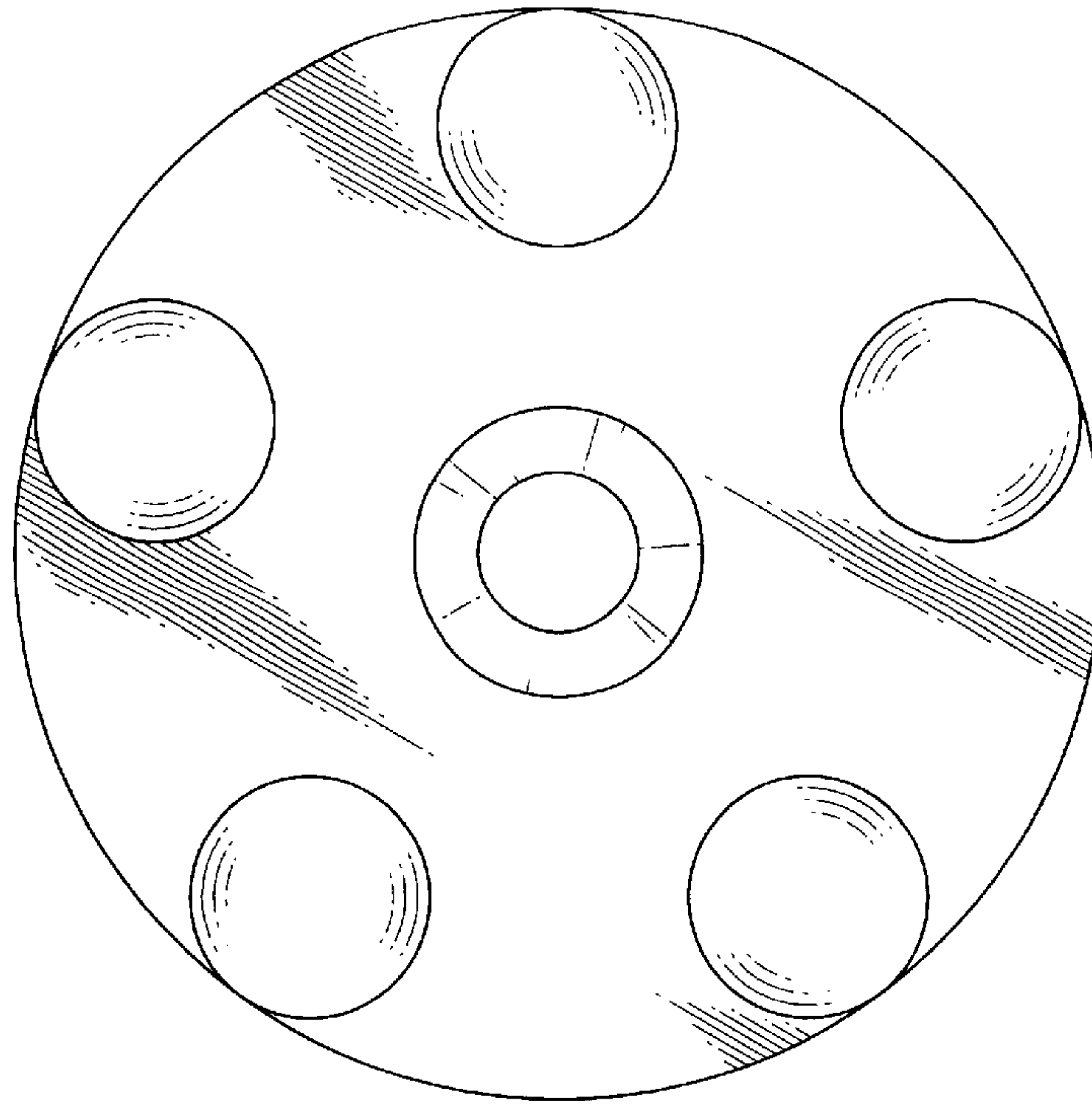


Fig. 22



Fig. 23

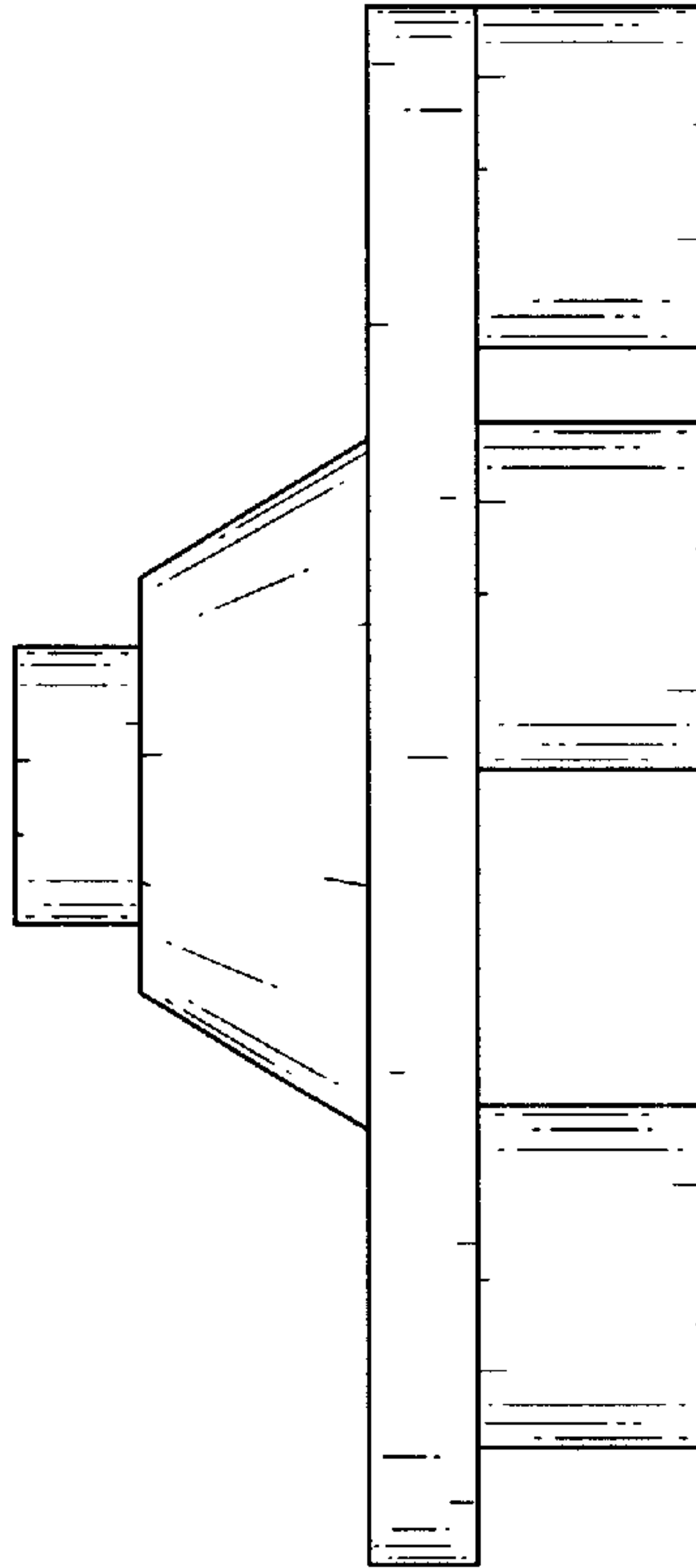


Fig. 24

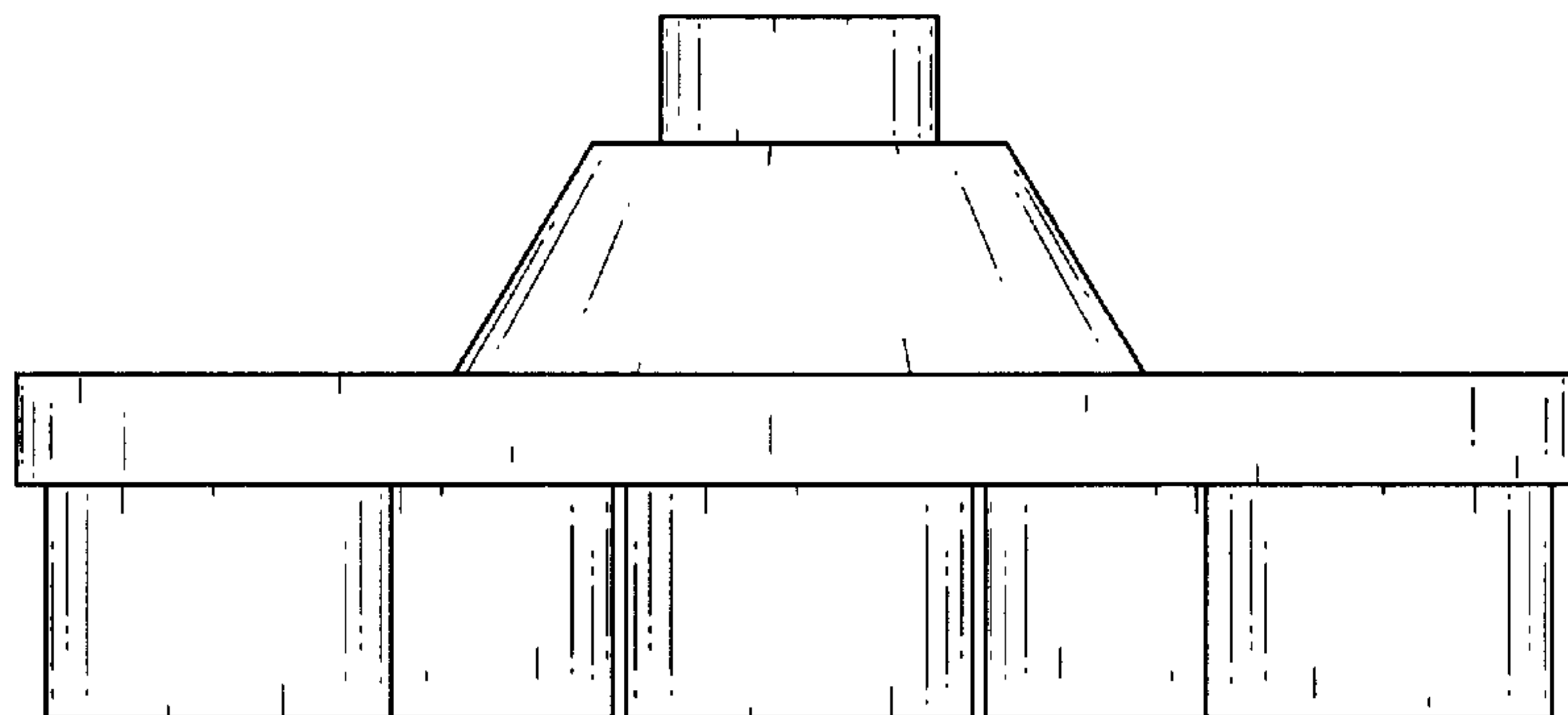


Fig. 25

