



US00D486837S

(12) **United States Design Patent**
Mori et al.

(10) **Patent No.:** **US D486,837 S**

(45) **Date of Patent:** **** Feb. 17, 2004**

(54) **THREAD WINDING DEVICE FOR A SEWING MACHINE**

(75) Inventors: **Sanae Mori**, Chofu (JP); **Shigemasa Kato**, Chofu (JP)

(73) Assignee: **Juki Corporation**, Tokyo (JP)

(**) Term: **14 Years**

(21) Appl. No.: **29/158,671**

(22) Filed: **Apr. 8, 2002**

(30) **Foreign Application Priority Data**

Oct. 12, 2001 (JP) 2001-030091

(51) **LOC (7) Cl.** **15-06**

(52) **U.S. Cl.** **D15/72**

(58) **Field of Search** D15/66, 69, 72;
112/258-261, 217.1-217.4, 475.01; 242/134;
57/261, 279, 352

(56) **References Cited**

U.S. PATENT DOCUMENTS

3,805,504 A	*	4/1974	Franzen	57/261
3,987,978 A	*	10/1976	Alberelli et al.	242/134
D309,739 S	*	8/1990	Itoh et al.	D15/69
D321,518 S	*	11/1991	Uchida	D15/69
D338,022 S	*	8/1993	Takada et al.	D15/69
D356,096 S	*	3/1995	Barros et al.	D15/78
D372,720 S	*	8/1996	Hattori et al.	D15/69
D392,294 S	*	3/1998	Kato et al.	D15/69

D450,721 S	*	11/2001	Kawaguchi	D15/69
D462,368 S	*	9/2002	Kuroki	D15/69
D465,793 S	*	11/2002	Takada et al.	D15/69
D478,337 S	*	8/2003	Kuroki	D15/69
D478,916 S	*	8/2003	Kuroki	D15/69

* cited by examiner

Primary Examiner—Mitchell Siegel

(74) *Attorney, Agent, or Firm*—Morgan & Finnegan LLP

(57) **CLAIM**

The ornamental design for a thread winding device for a sewing machine, as shown and described.

DESCRIPTION

FIG. 1. is a front view of a first embodiment of the thread winding device for a sewing machine showing our new design.

FIG. 2. is a back view thereof.

FIG. 3 is a top plan view thereof.

FIG. 4. is a bottom plan view thereof.

FIG. 5. is a right side view thereof.

FIG. 6. is a left side view thereof.

FIG. 7. is a front, top and right side perspective view thereof.

FIG. 8 is a reference drawing thereof.

FIG. 9 is a front view of the thread winding device for a sewing machine, and for clarity the thread guide of FIGS. 1-8, a detachable piece, is not shown; and,

FIG. 10 is a front, top, and right side perspective view of a second embodiment of that shown in FIG. 9.

1 Claim, 8 Drawing Sheets

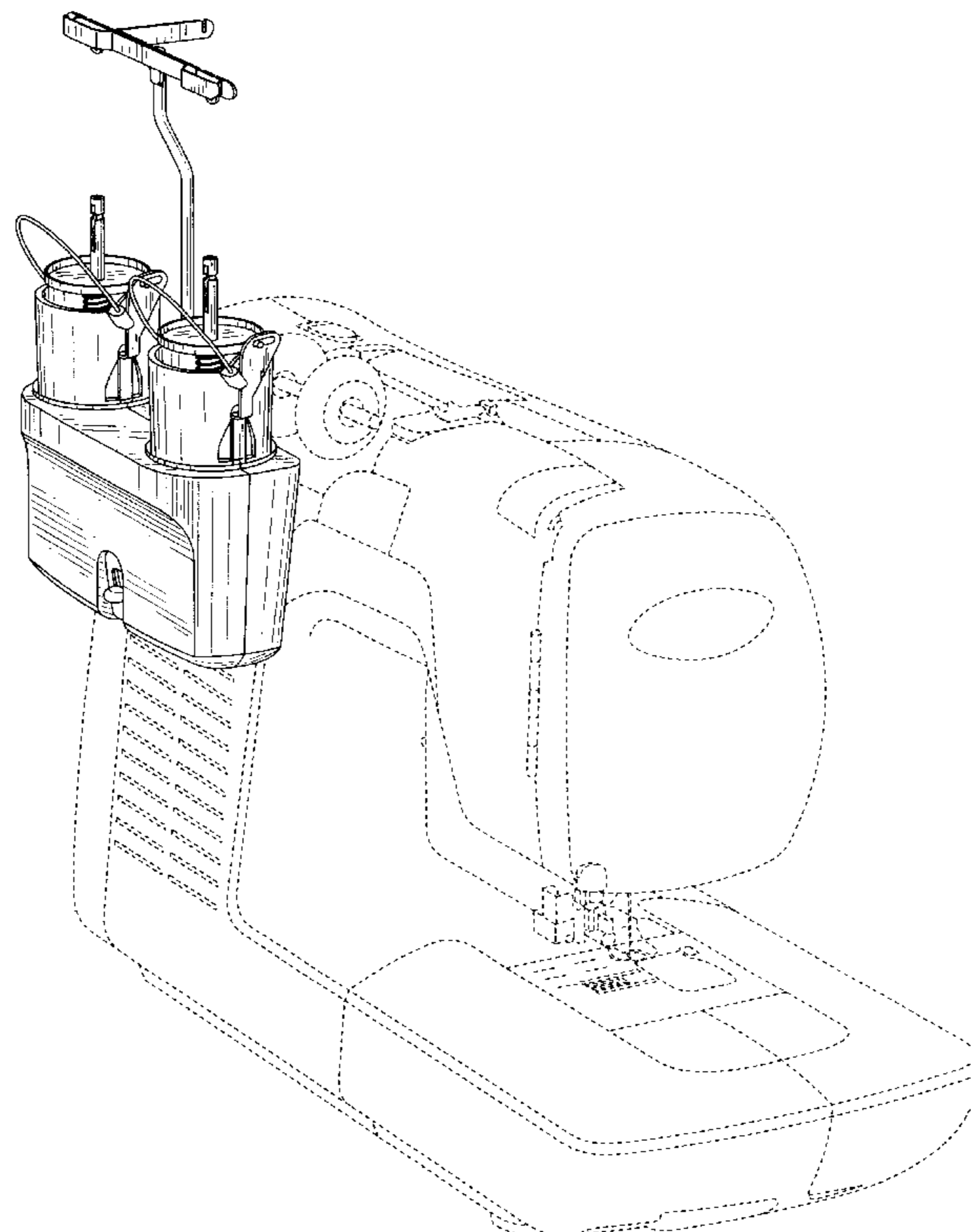


FIG. 1

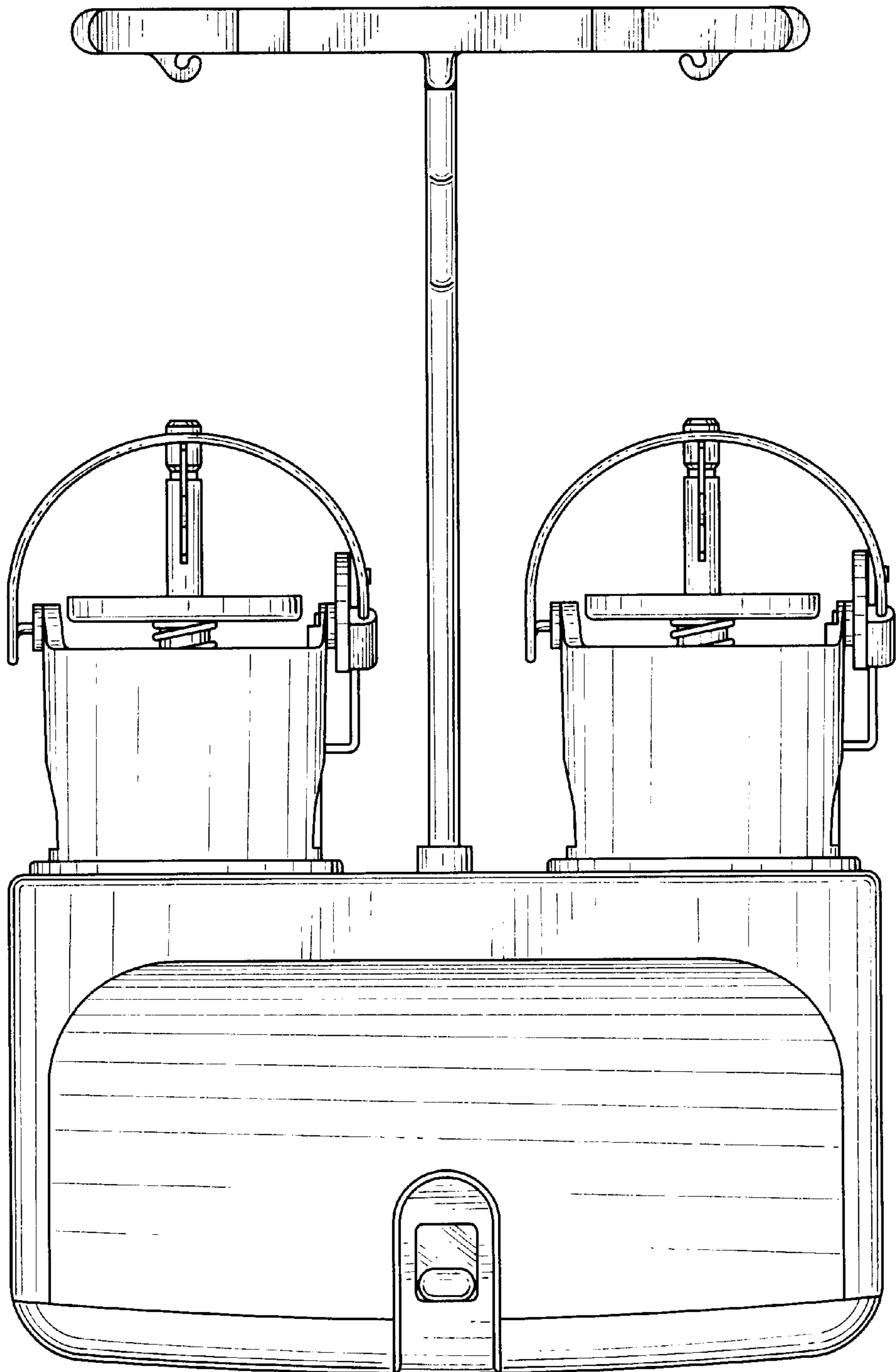


FIG.2

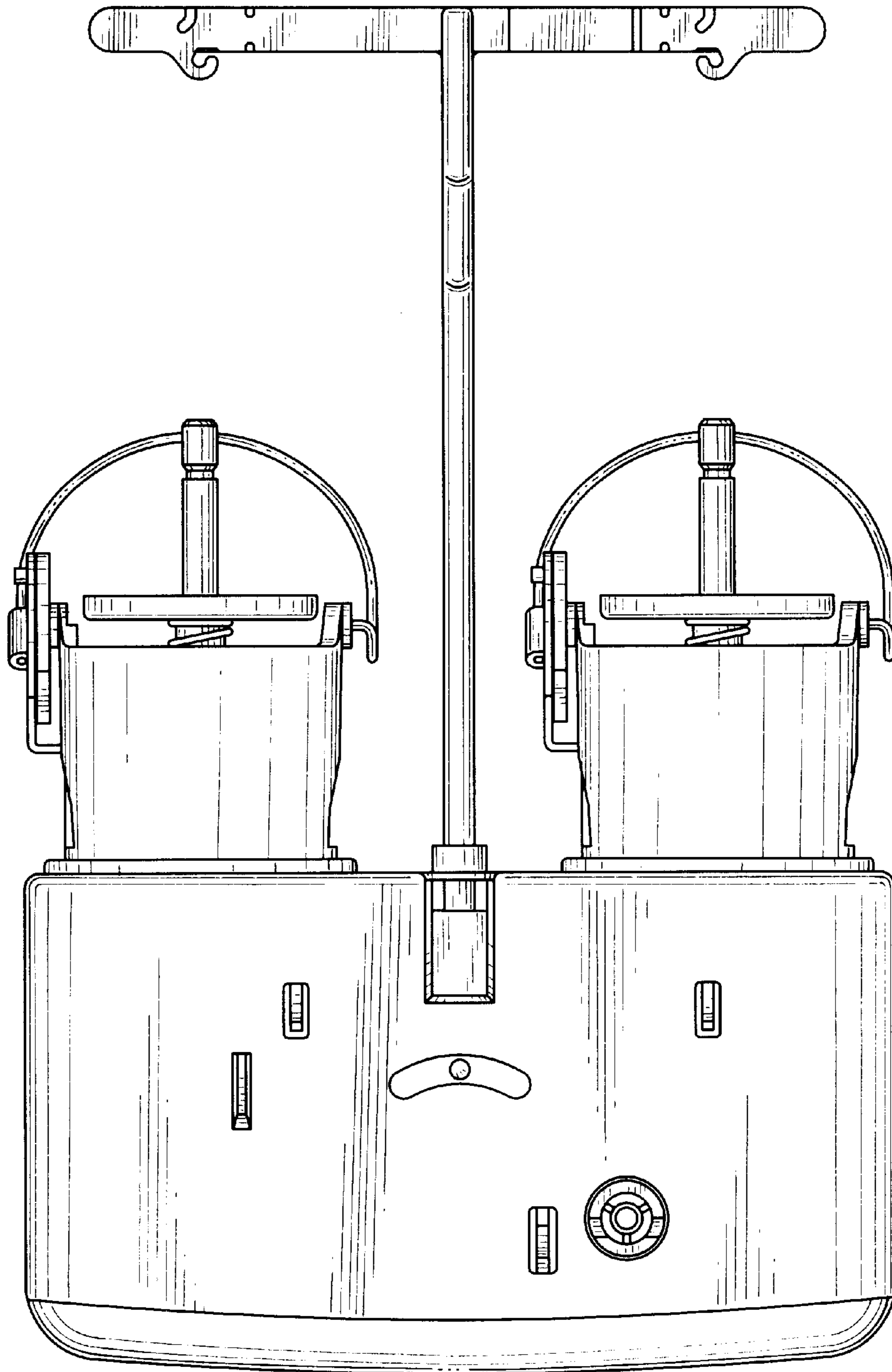


FIG.3

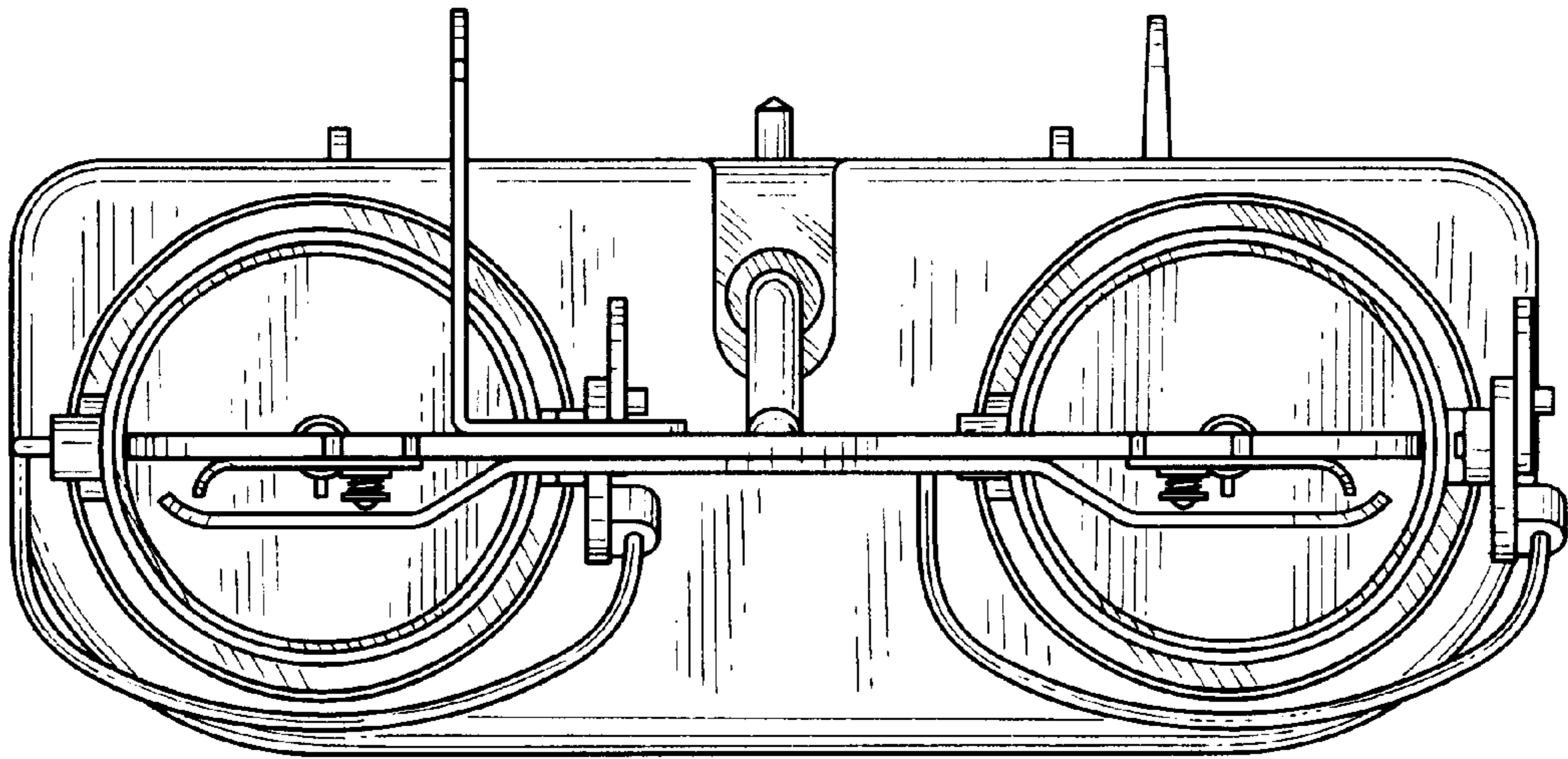


FIG.4

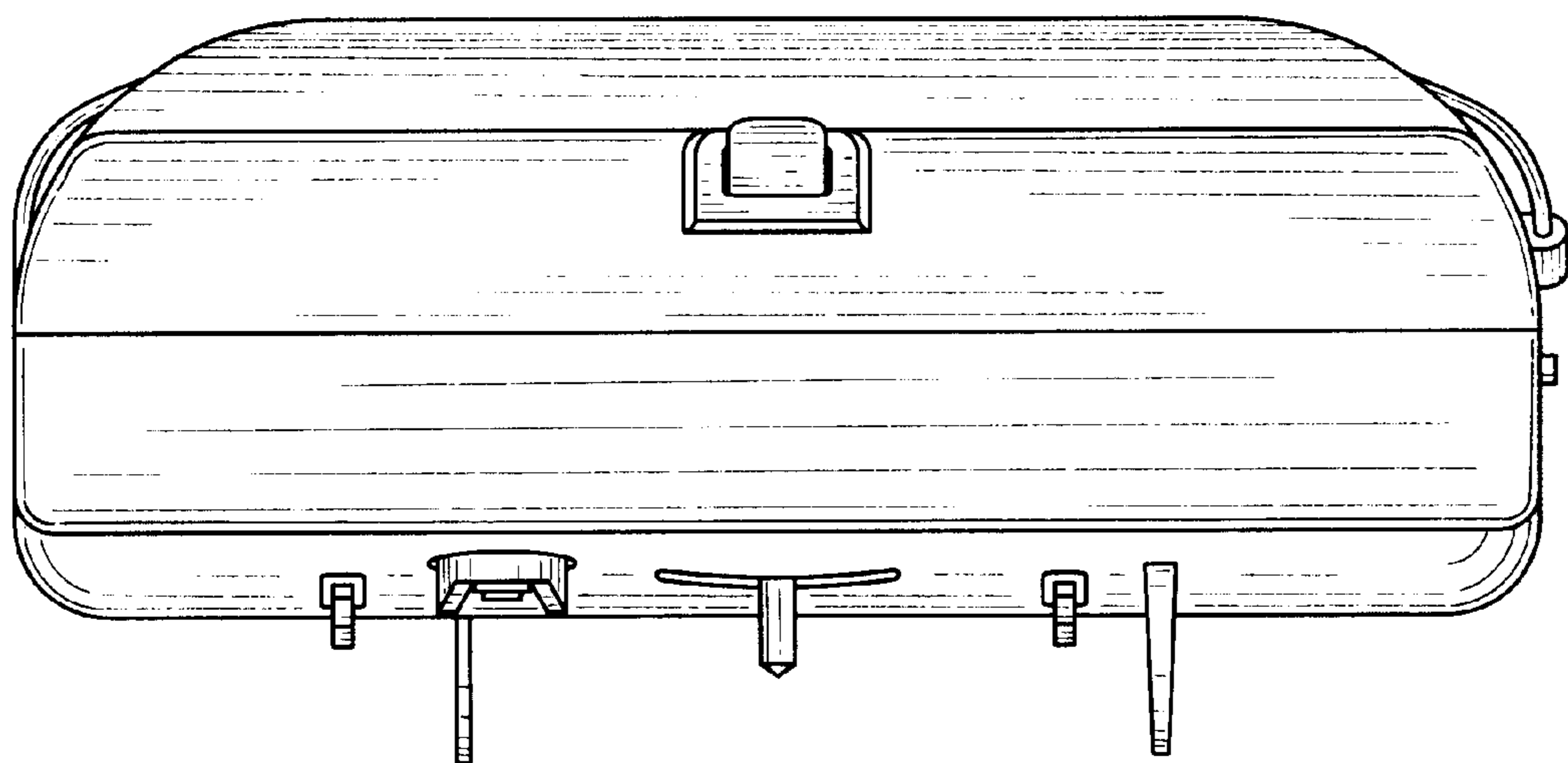


FIG.6

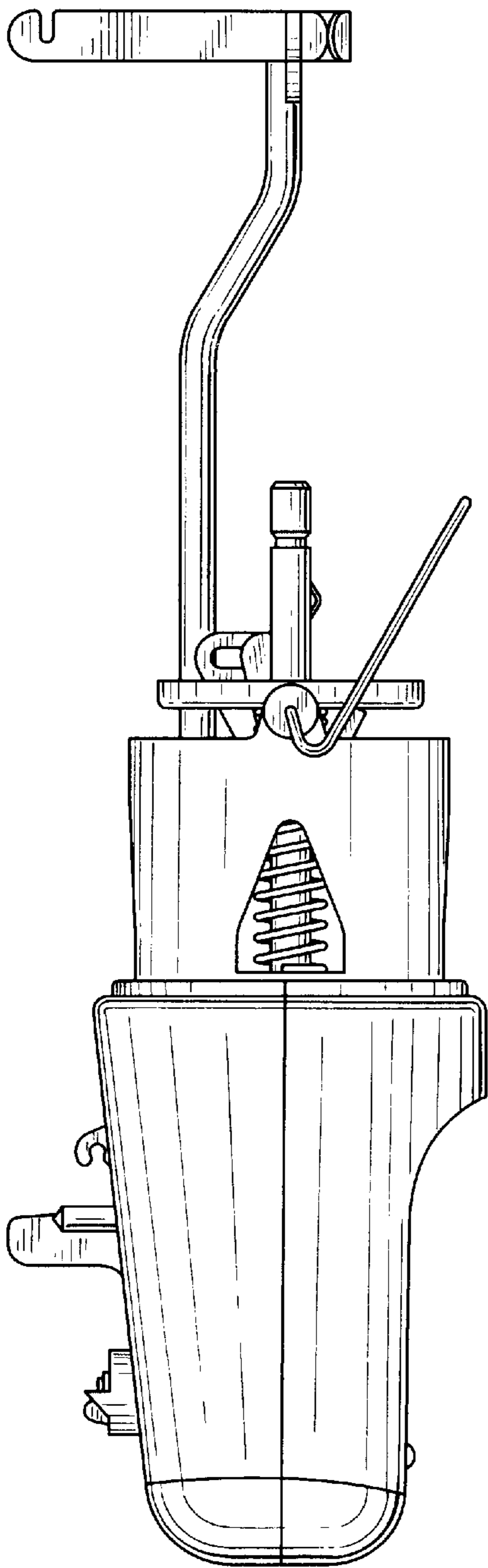


FIG.5

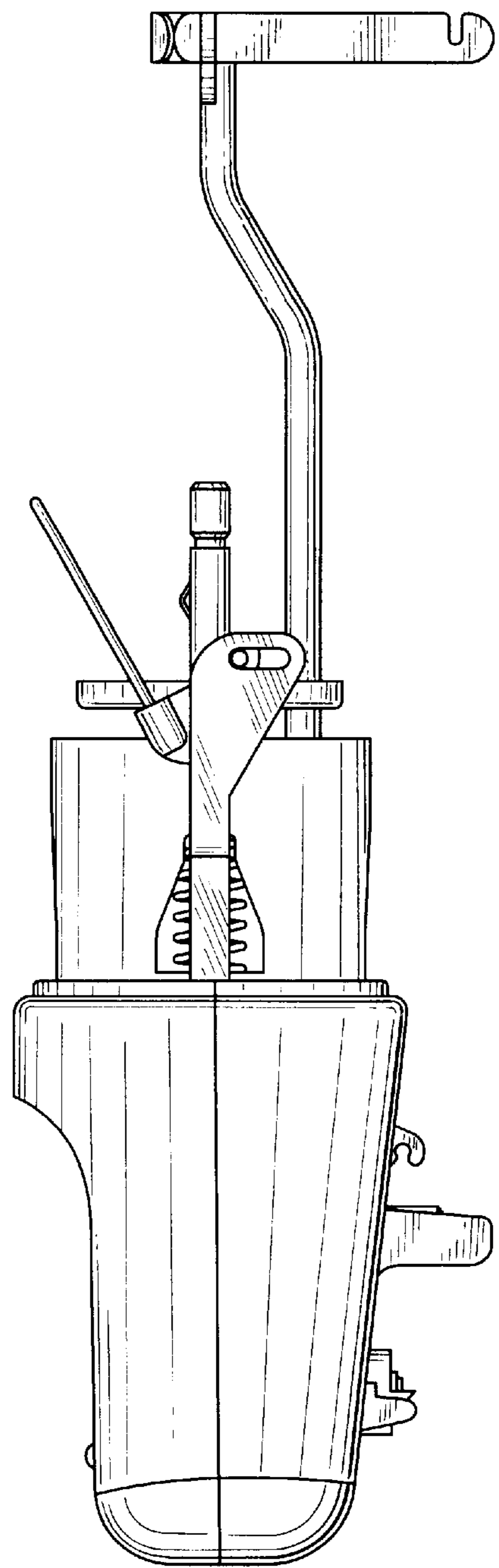


FIG.7

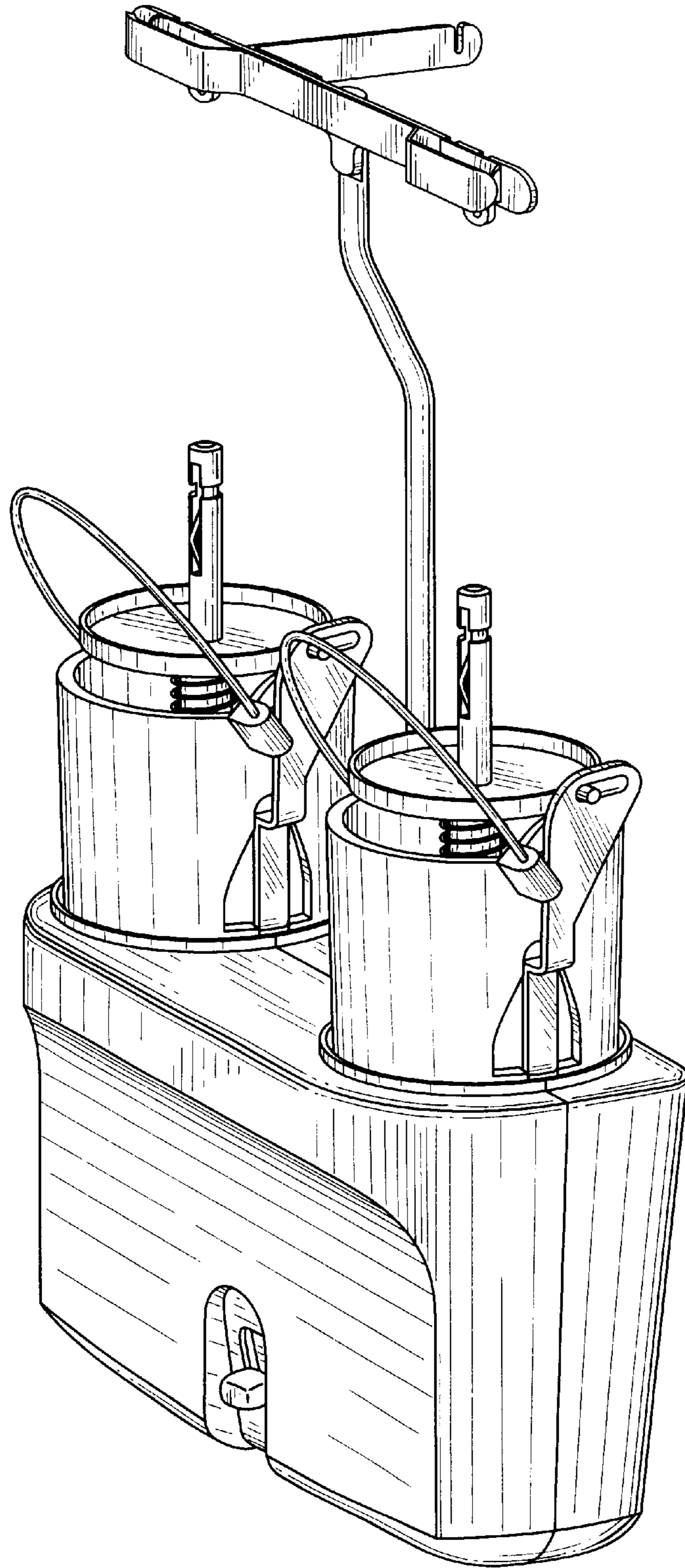


FIG.8

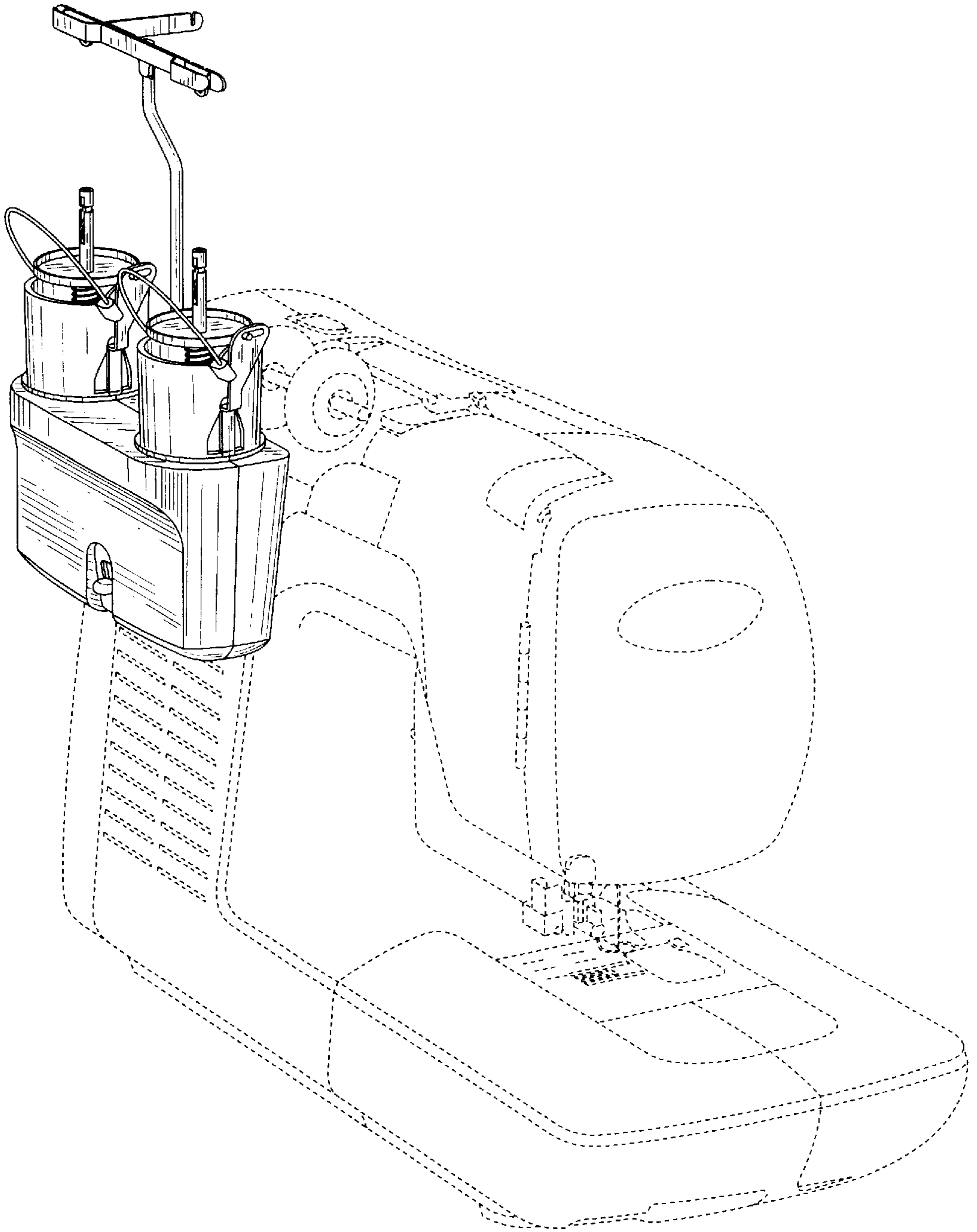


FIG.9

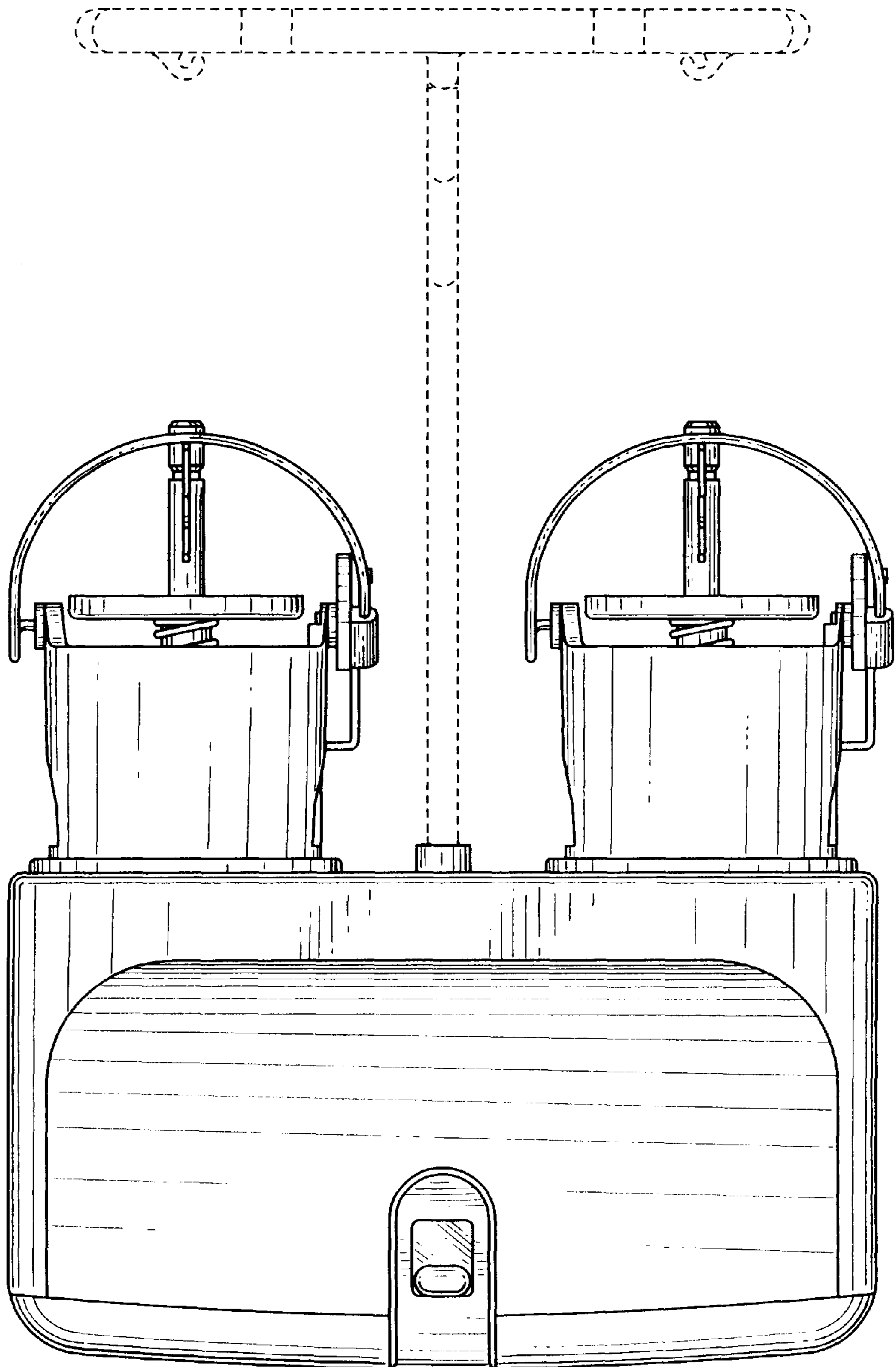


FIG.10

