



US00D486836S

(12) **United States Design Patent**  
**Lauder et al.**

(10) **Patent No.: US D486,836 S**

(45) **Date of Patent: \*\* Feb. 17, 2004**

(54) **GROUND ENGAGING TOOTH**

(75) Inventors: **Brian L. Lauder**, Tulsa, OK (US);  
**Charles Clendenning**, Broken Arrow,  
OK (US)

(73) Assignee: **H&L Tooth Company**, Tulsa, OK (US)

(\*\*) Term: **14 Years**

(21) Appl. No.: **29/178,816**

(22) Filed: **Mar. 31, 2003**

(51) **LOC (7) Cl. .... 15-03**

(52) **U.S. Cl. .... D15/29**

(58) **Field of Search .... D15/28, 29, 25,**  
**D15/32; 37/446, 452-454; 172/699, 713**

(56) **References Cited**

**U.S. PATENT DOCUMENTS**

3,444,633	A	*	5/1969	Hensley	.....	37/452
D329,243	S	*	9/1992	Robinson	.....	D15/29
D336,304	S	*	6/1993	Robinson	.....	D15/29
D345,364	S	*	3/1994	Robinson	.....	D15/29
D365,577	S	*	12/1995	Ruvang	.....	D15/29
D385,286	S	*	10/1997	Moreno	.....	D15/29
D392,292	S	*	3/1998	Moreno	.....	D15/29
D417,877	S	*	12/1999	Lauder et al.	.....	D15/29
D436,116	S	*	1/2001	Clendenning	.....	D15/29
D446,224	S	*	8/2001	Clendenning	.....	D15/29
D447,154	S	*	8/2001	Clendenning	.....	D15/29

\* cited by examiner

*Primary Examiner*—Mitchell Siegel

(74) *Attorney, Agent, or Firm*—John W. Harbst

(57) **CLAIM**

The ornamental design for a ground engaging tooth, as shown and described.

**DESCRIPTION**

FIG. 1 is a left side elevational view of one embodiment of a ground engaging tooth showing our new design, and with the right side elevational view being a mirror image thereof;

FIG. 2 is a top plan view thereof;

FIG. 3 is a bottom plan view thereof;

FIG. 4 is a rear elevational view thereof;

FIG. 5 is a front elevational view thereof;

FIG. 6 is a left side elevational view showing a second embodiment of our new design, with the right side elevational view being a mirror image thereof;

FIG. 7 is a top plan view thereof;

FIG. 8 is a bottom plan view thereof;

FIG. 9 is a rear elevational view thereof;

FIG. 10 is a front elevational view thereof;

FIG. 11 is a left side elevational view showing a third embodiment of our new design, with the right side elevational view being a mirror image thereof;

FIG. 12 is a top plan view thereof;

FIG. 13 is a bottom plan view thereof;

FIG. 14 is a rear elevational view thereof;

FIG. 15 is a front elevational view thereof;

FIG. 16 is a left side elevational view showing a fourth embodiment of our new design, with the right side elevational view being a mirror image thereof;

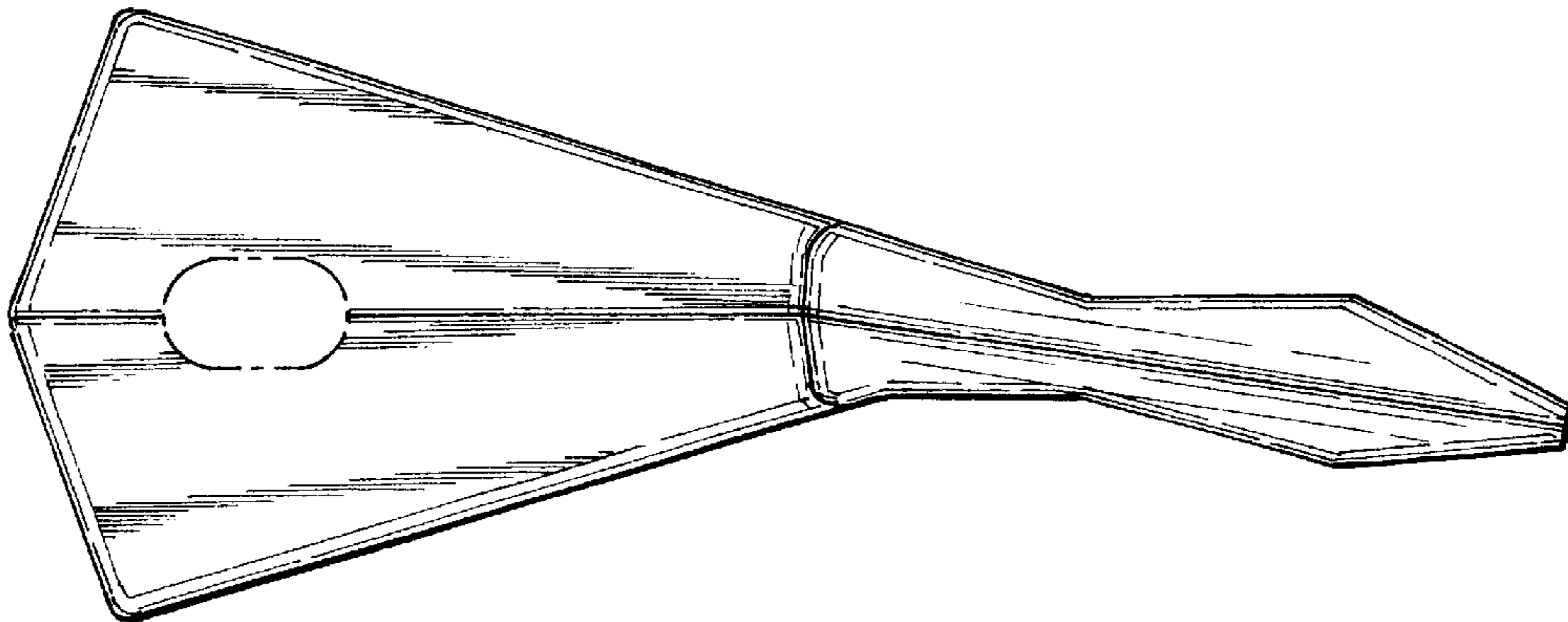
FIG. 17 is a top plan view thereof, with the bottom plan view being identical thereto;

FIG. 18 is a rear elevational view thereof; and,

FIG. 19 is a front elevational view thereof.

The phantom lines shown in various drawing Figures form no part of the present invention.

**1 Claim, 7 Drawing Sheets**



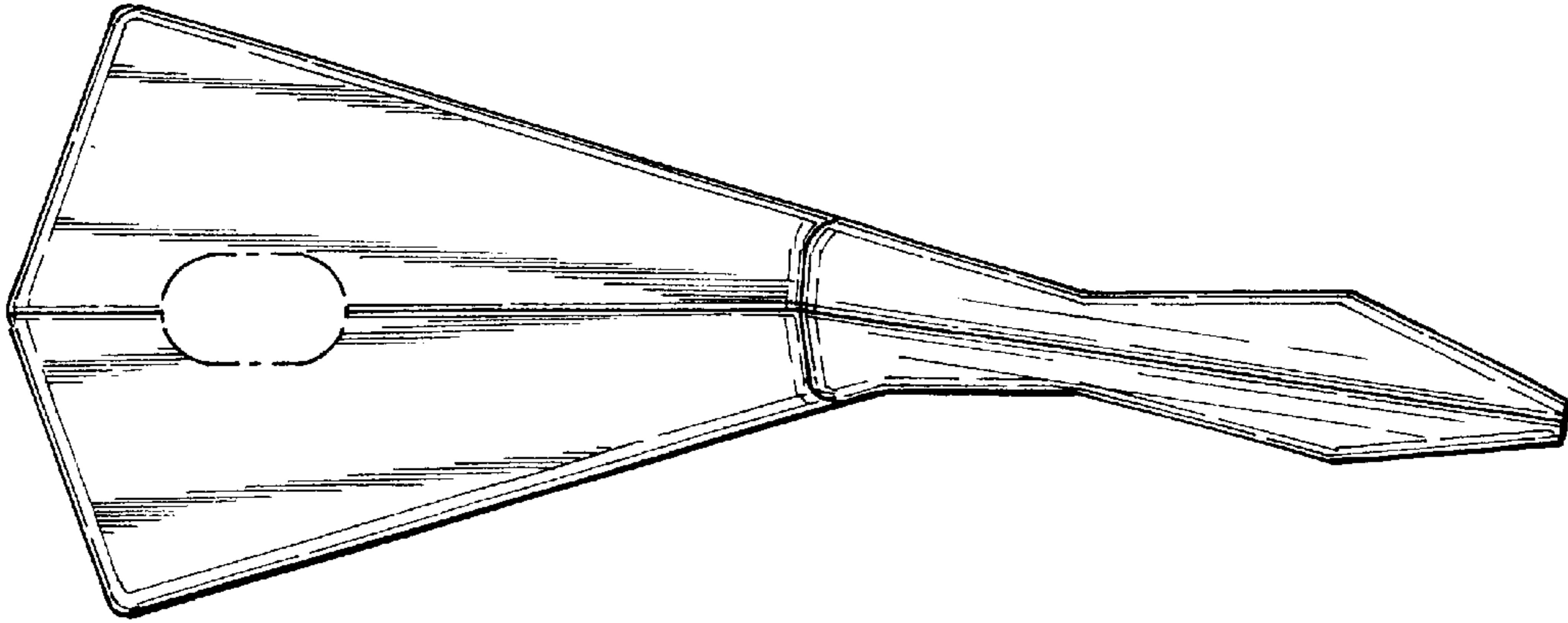


FIG. 1

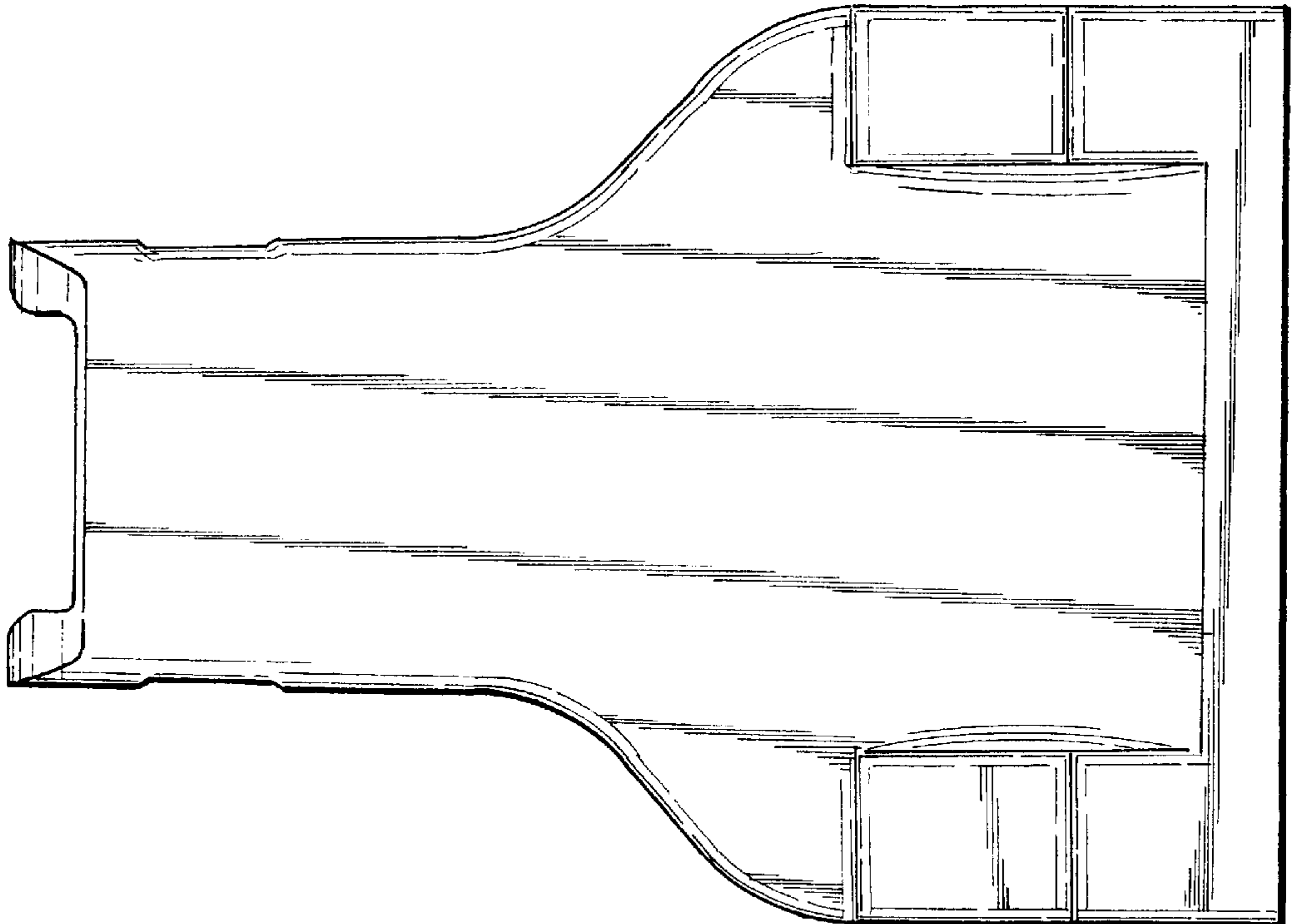


FIG. 2

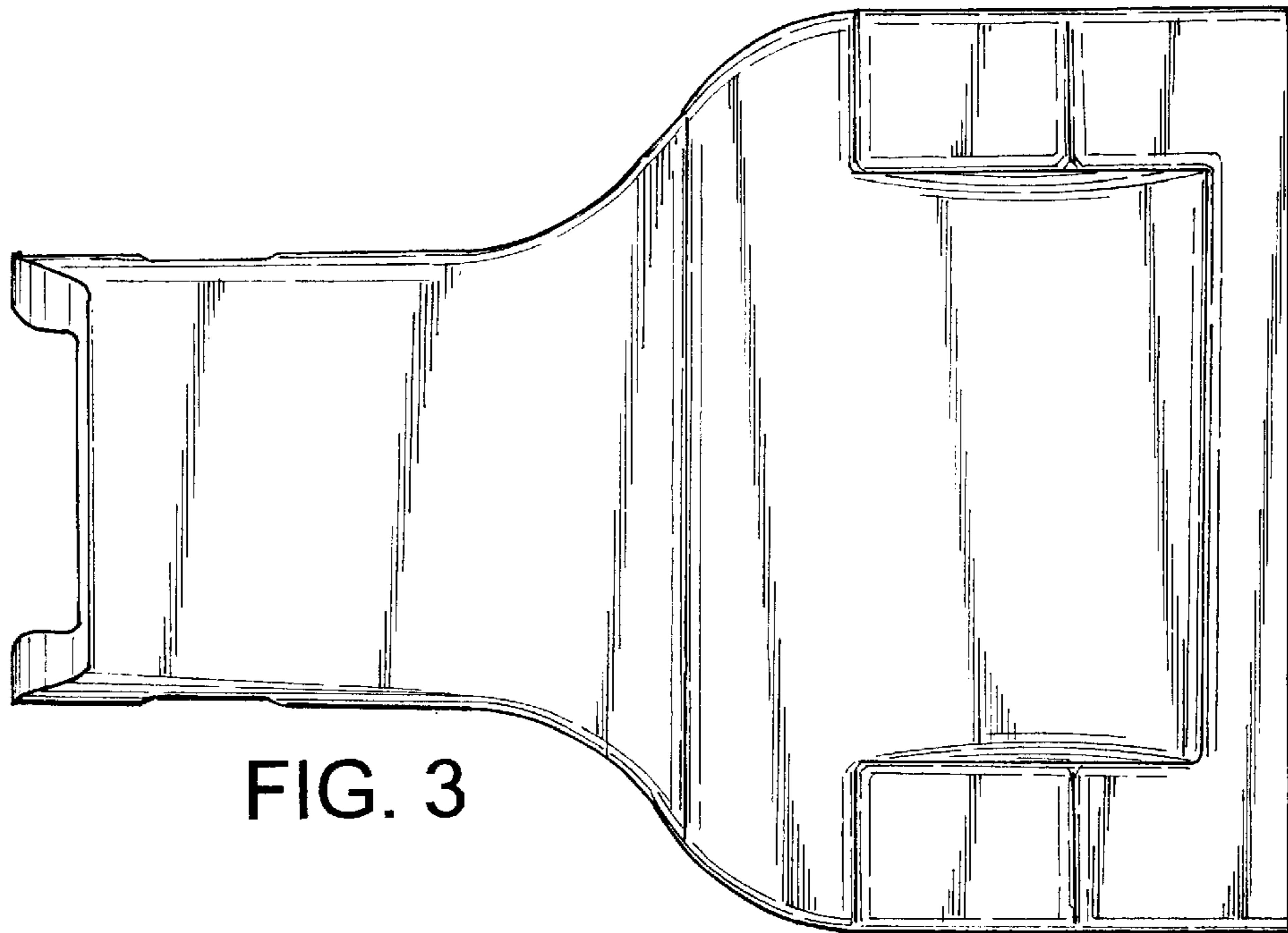


FIG. 3

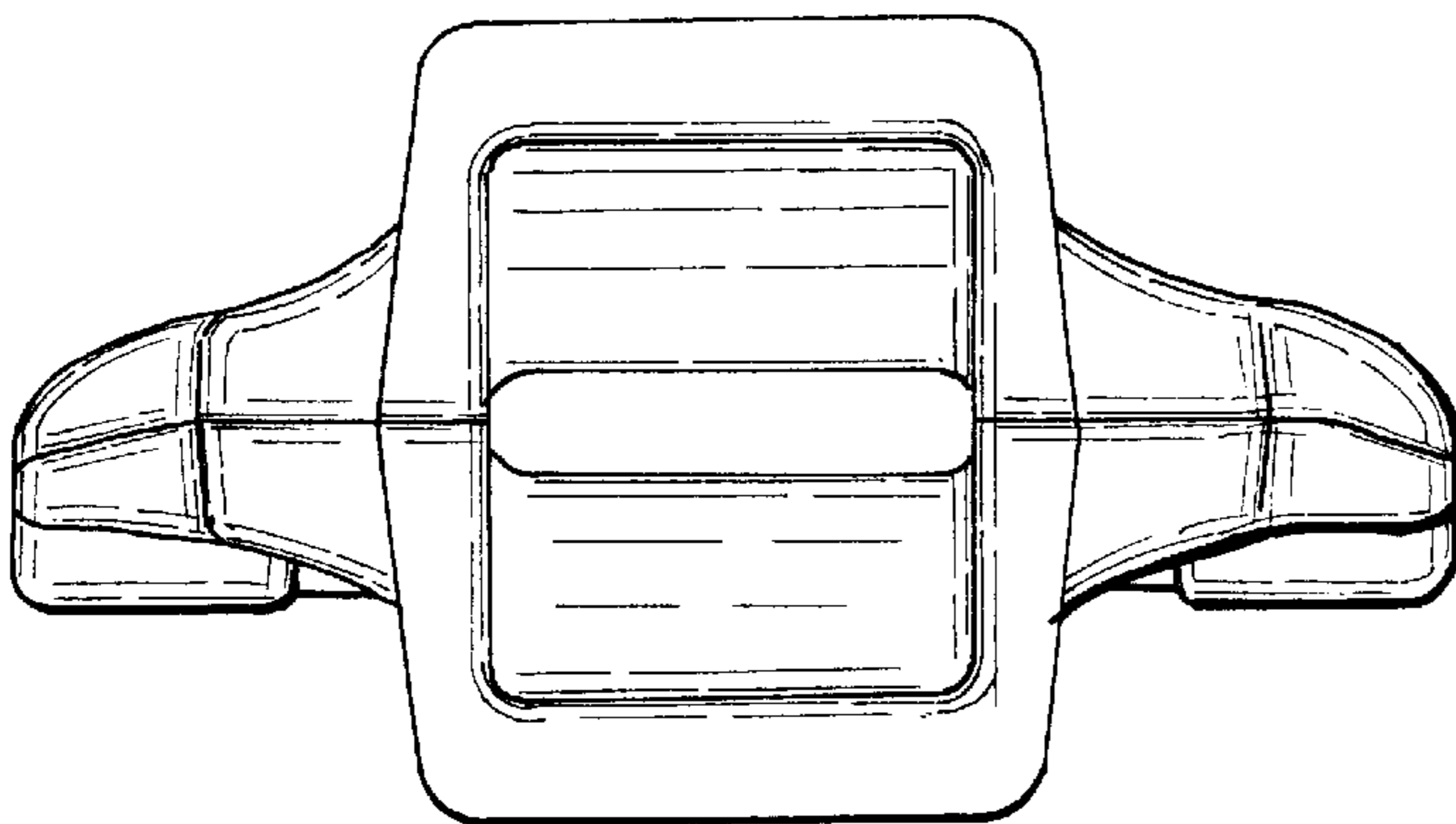


FIG. 4

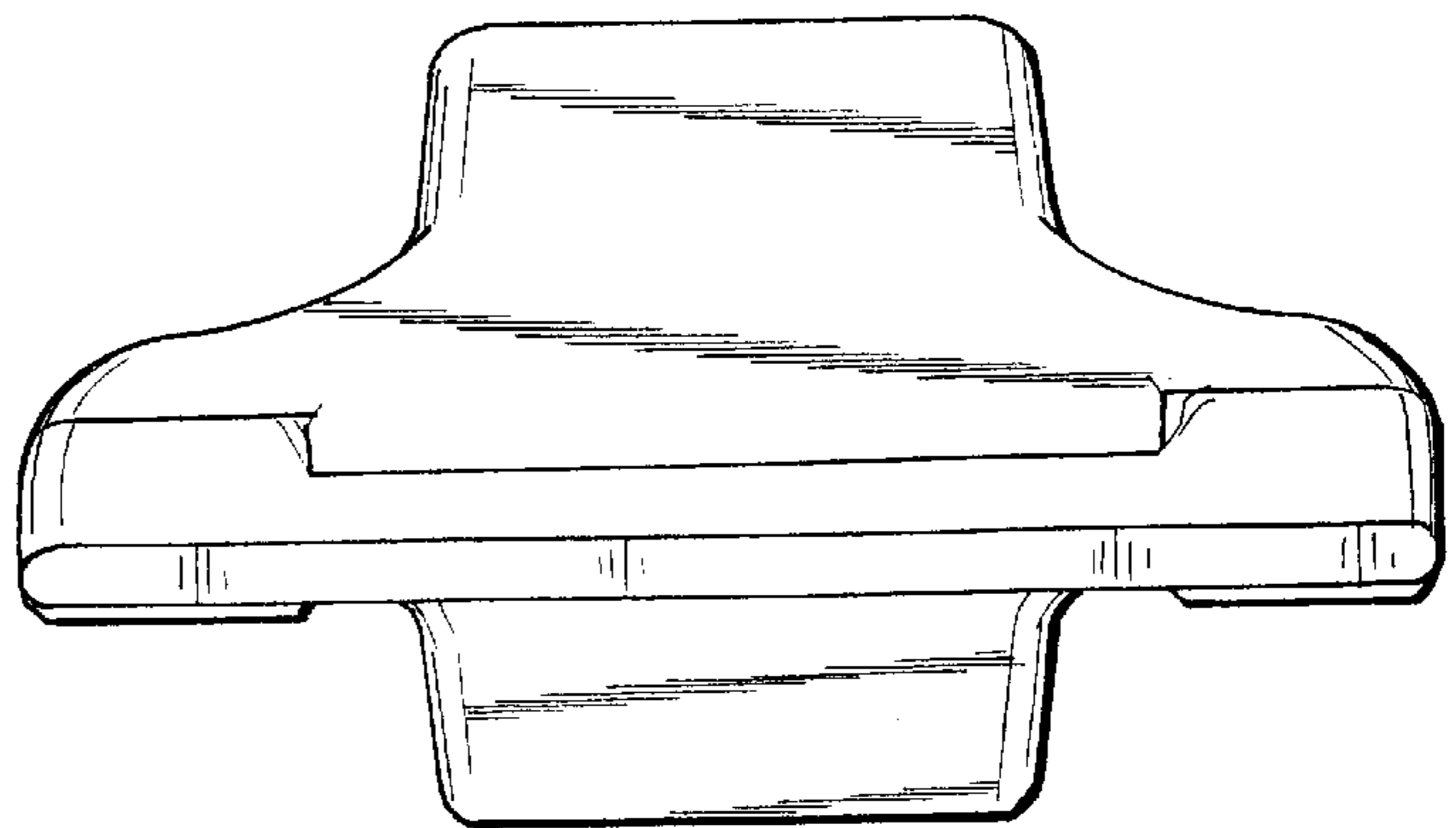


FIG. 5

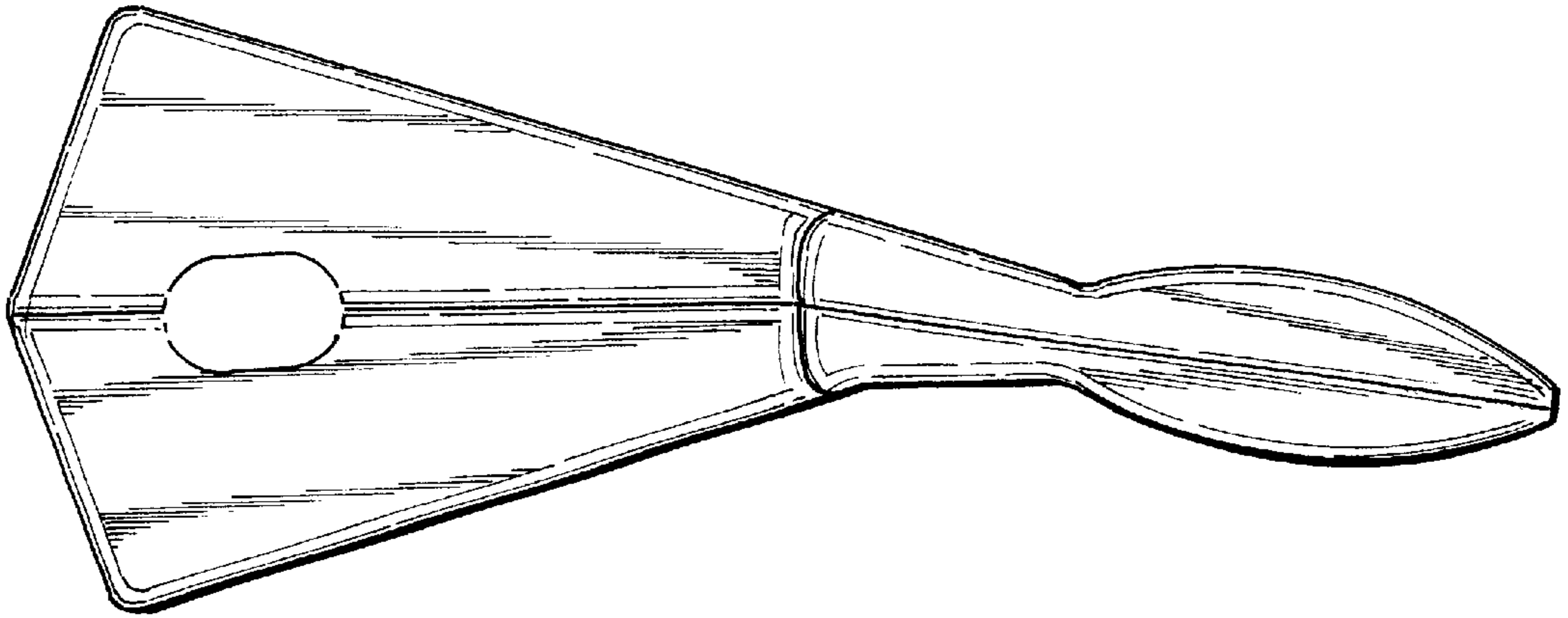


FIG. 6

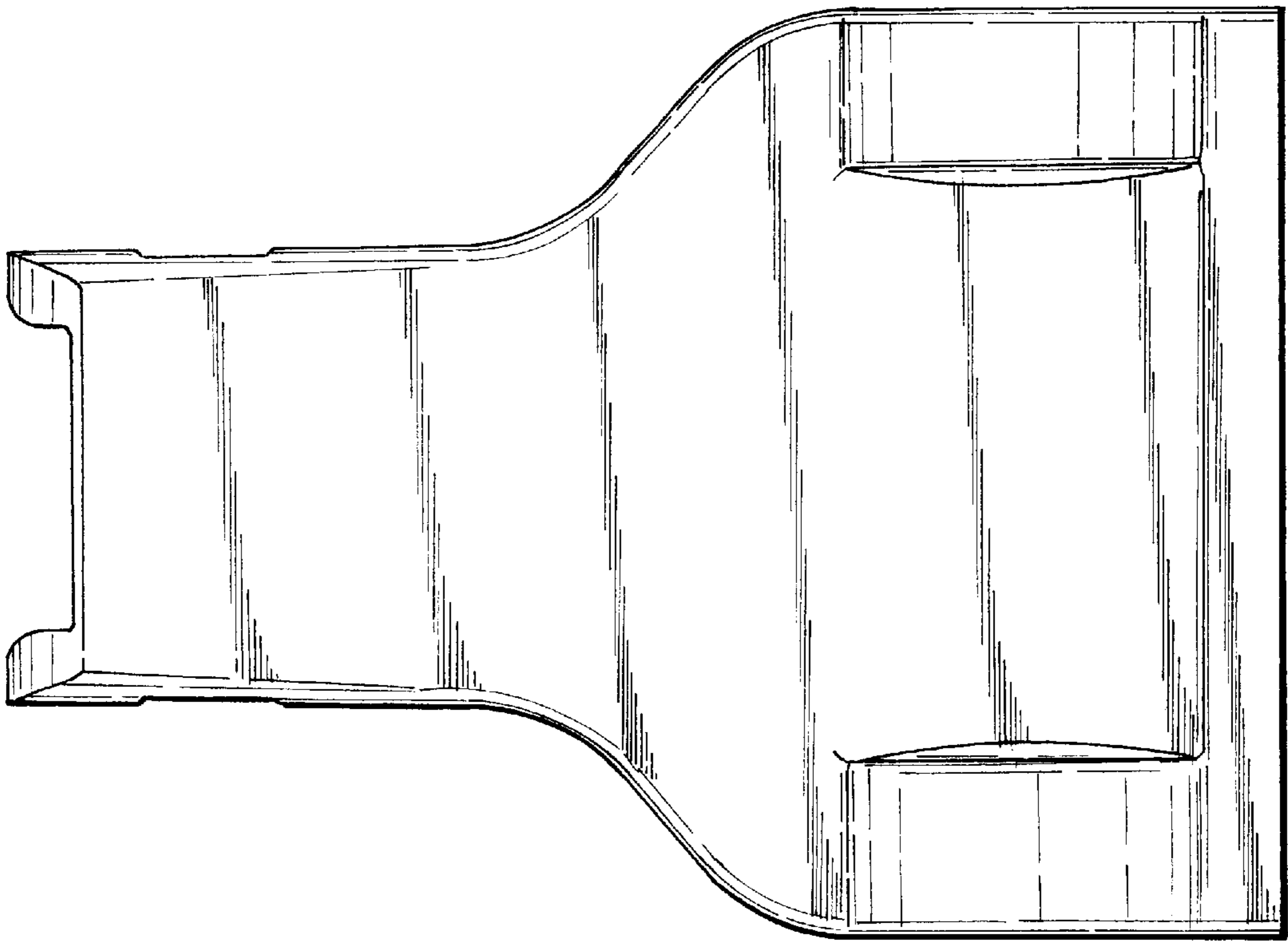


FIG. 7

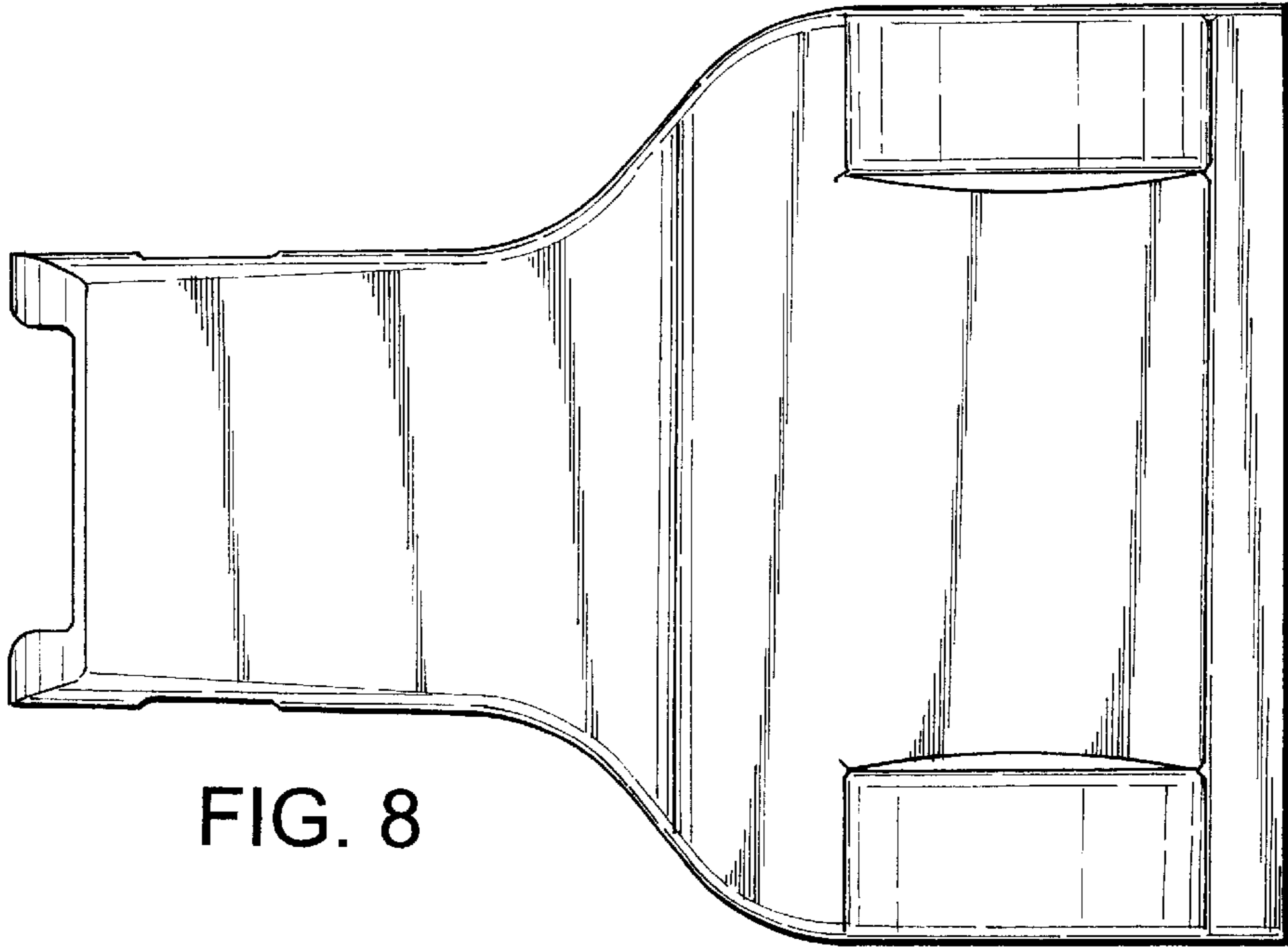


FIG. 8

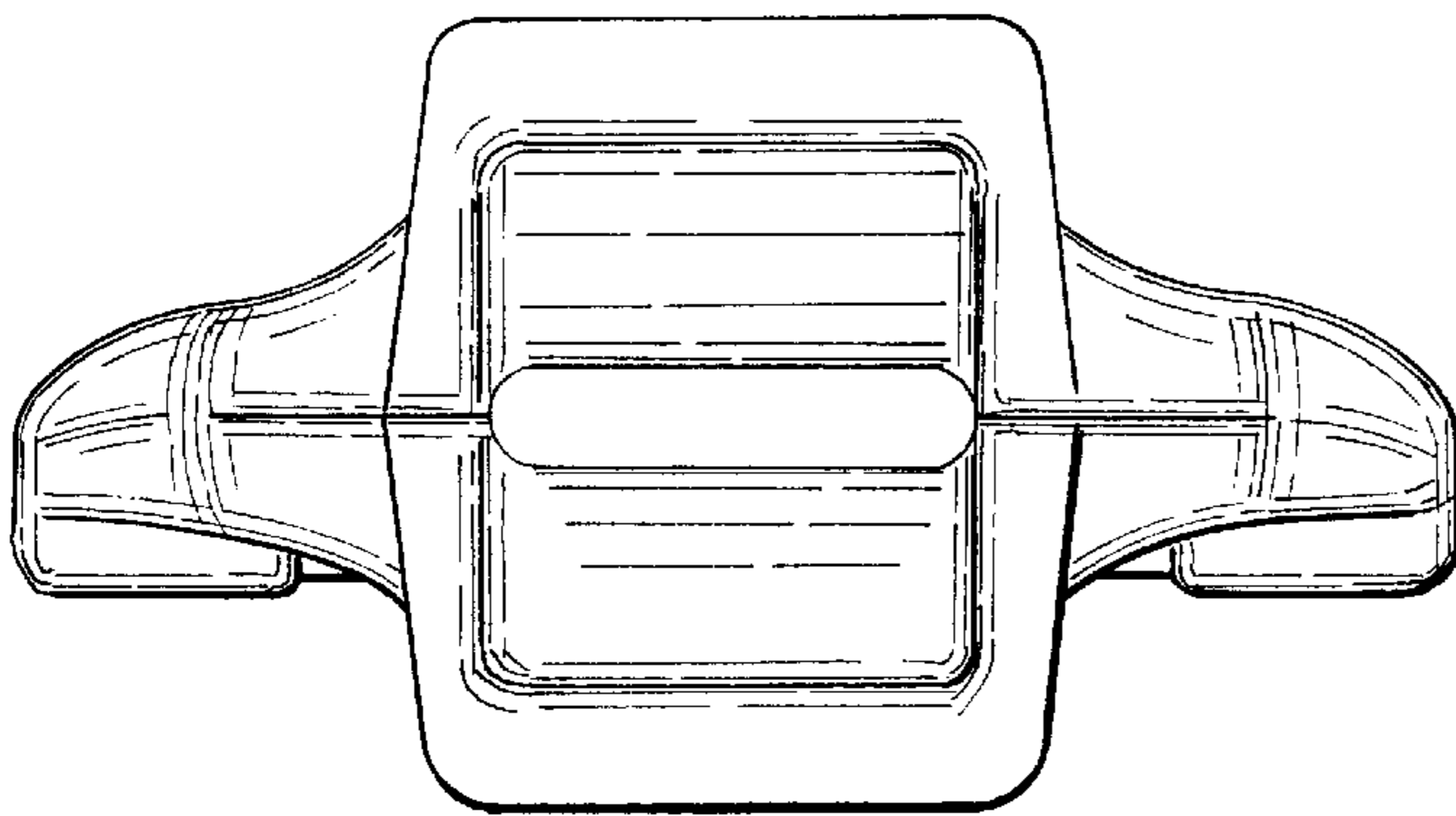


FIG. 9

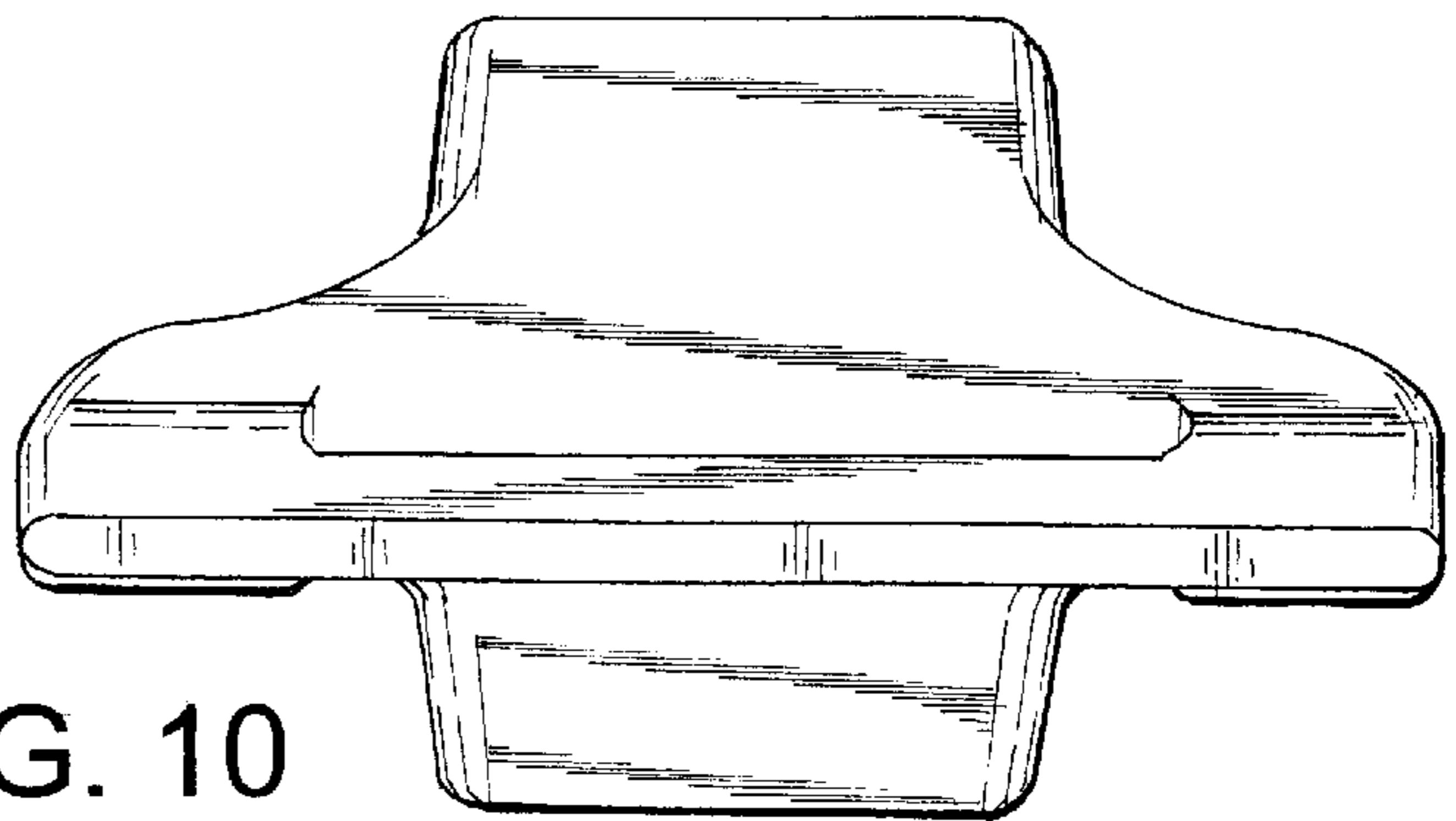


FIG. 10

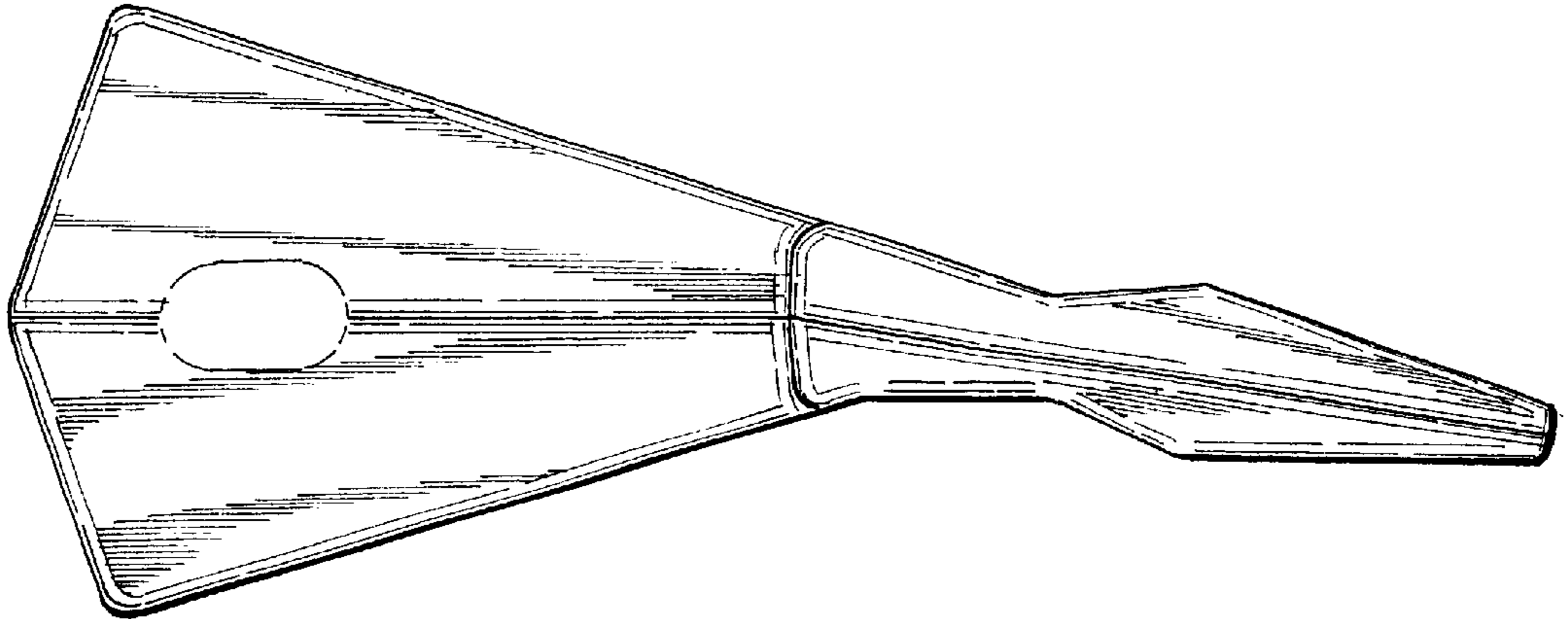


FIG. 11

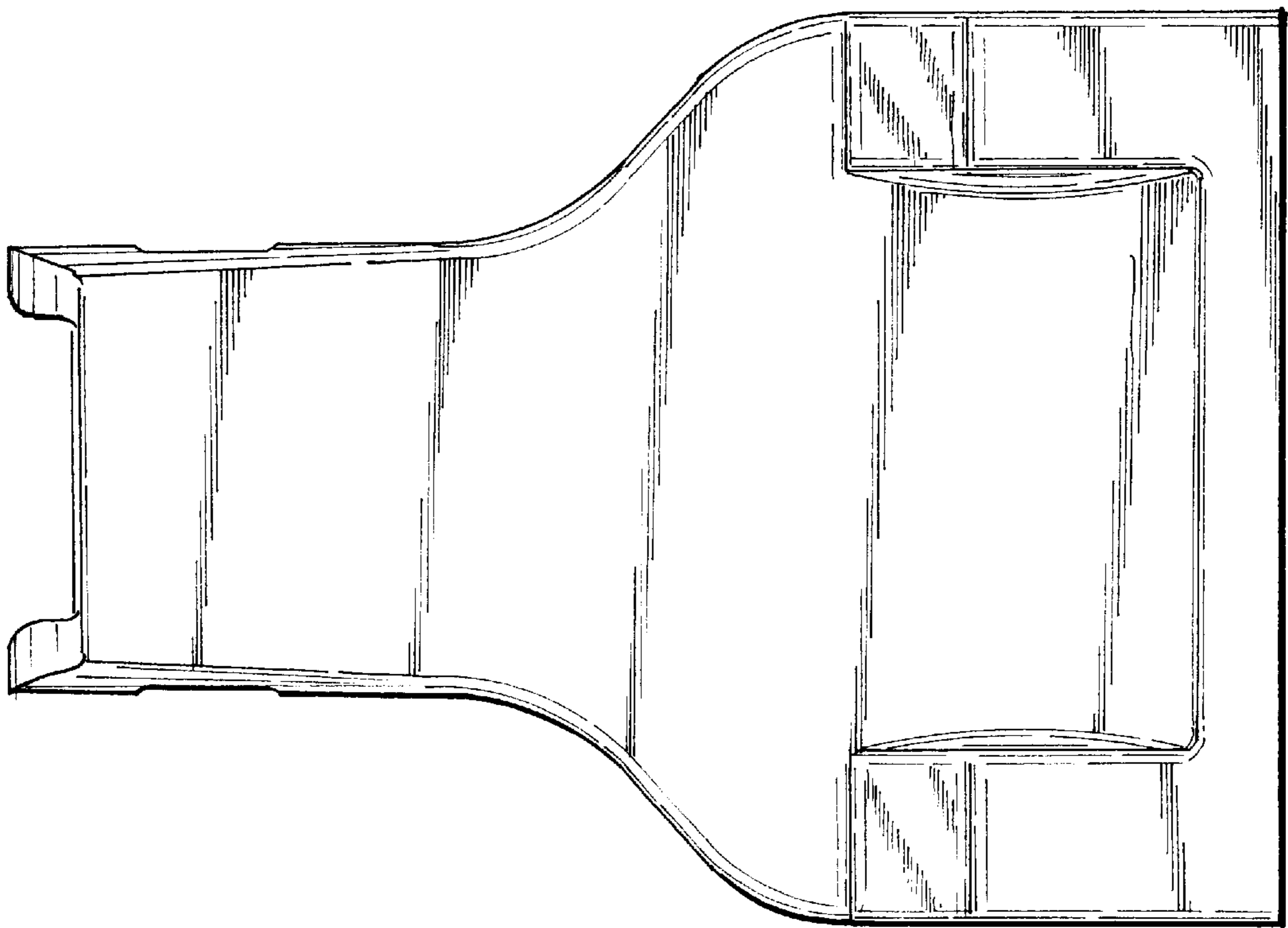


FIG. 12

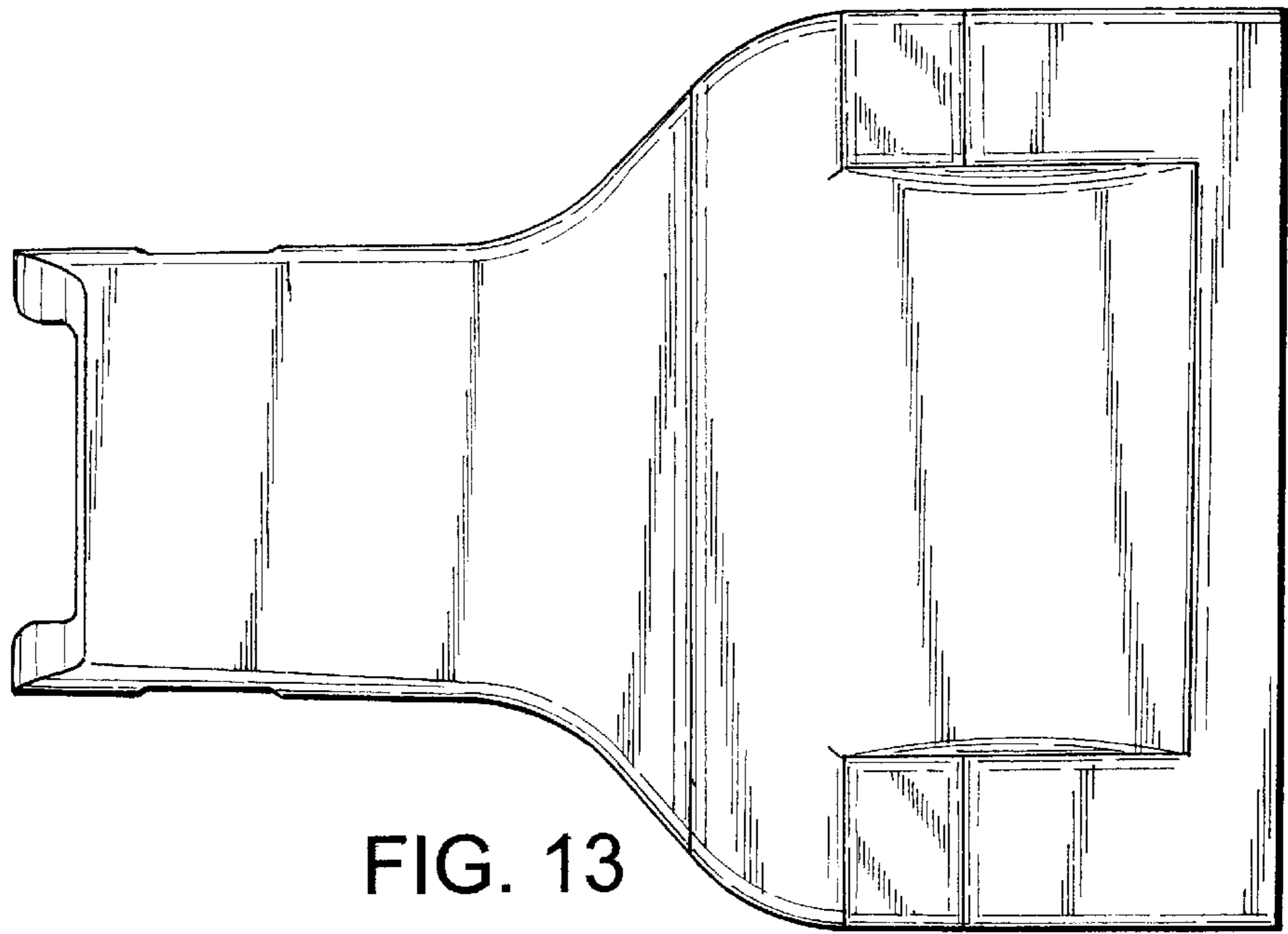


FIG. 13

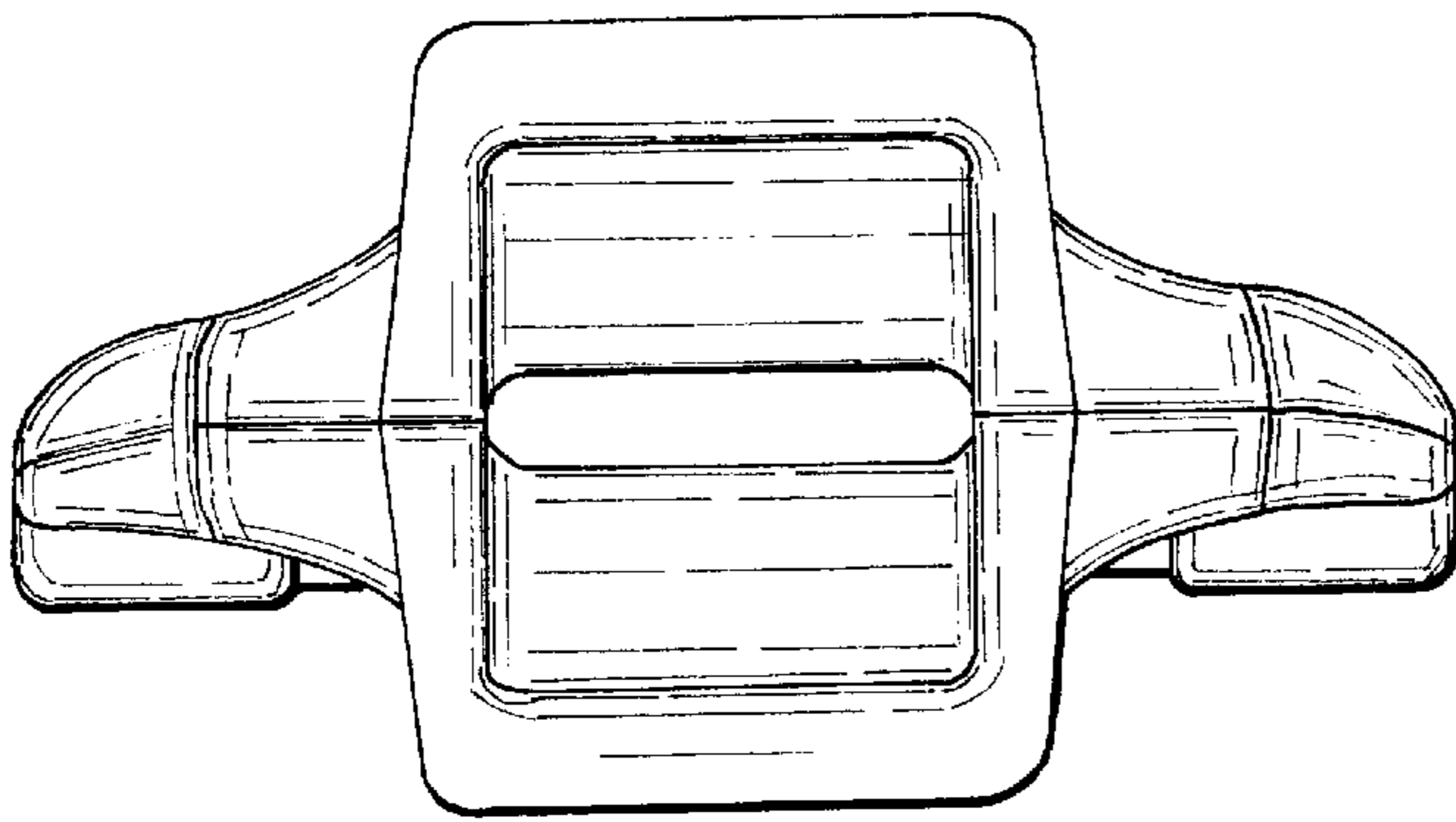


FIG. 14

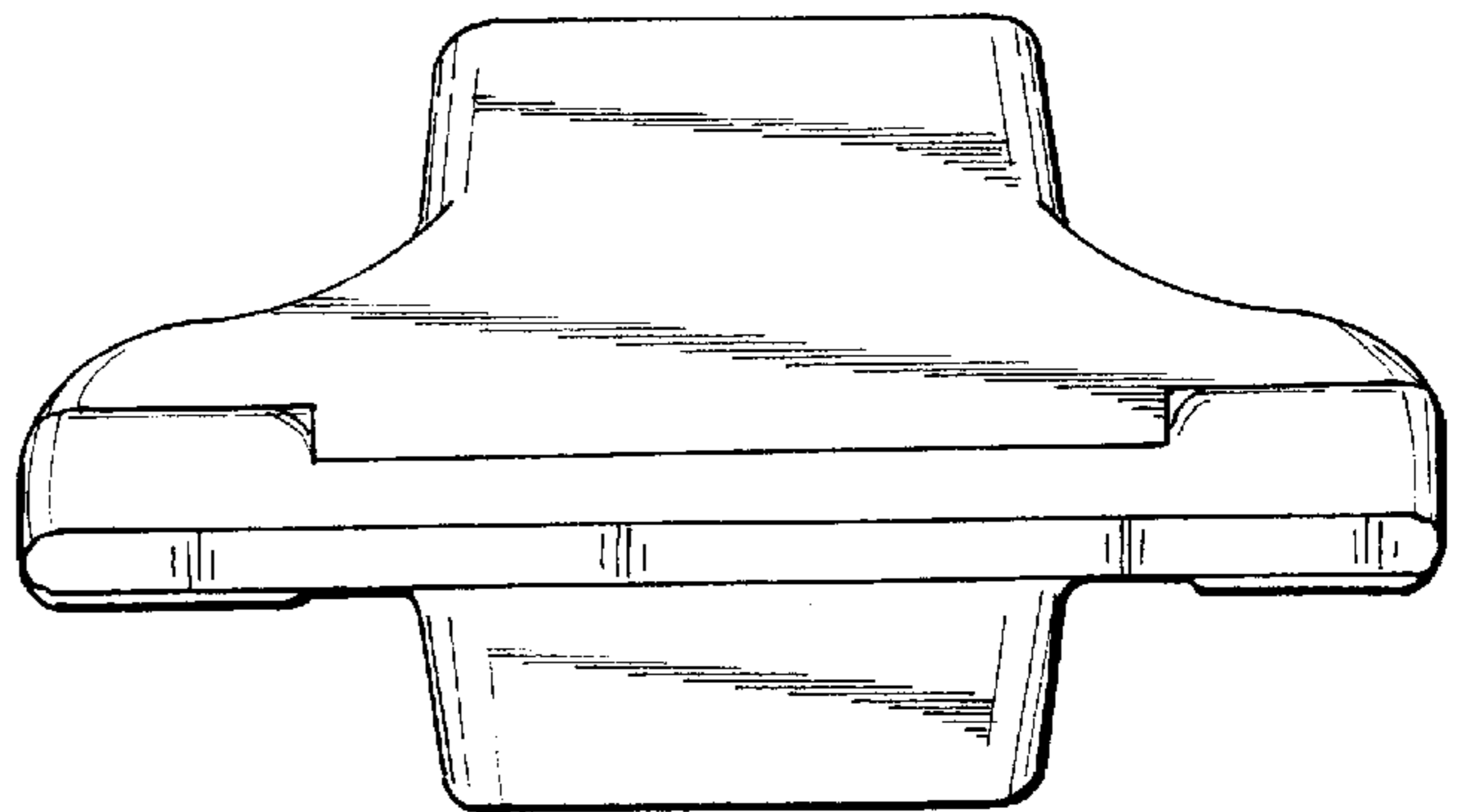


FIG. 15

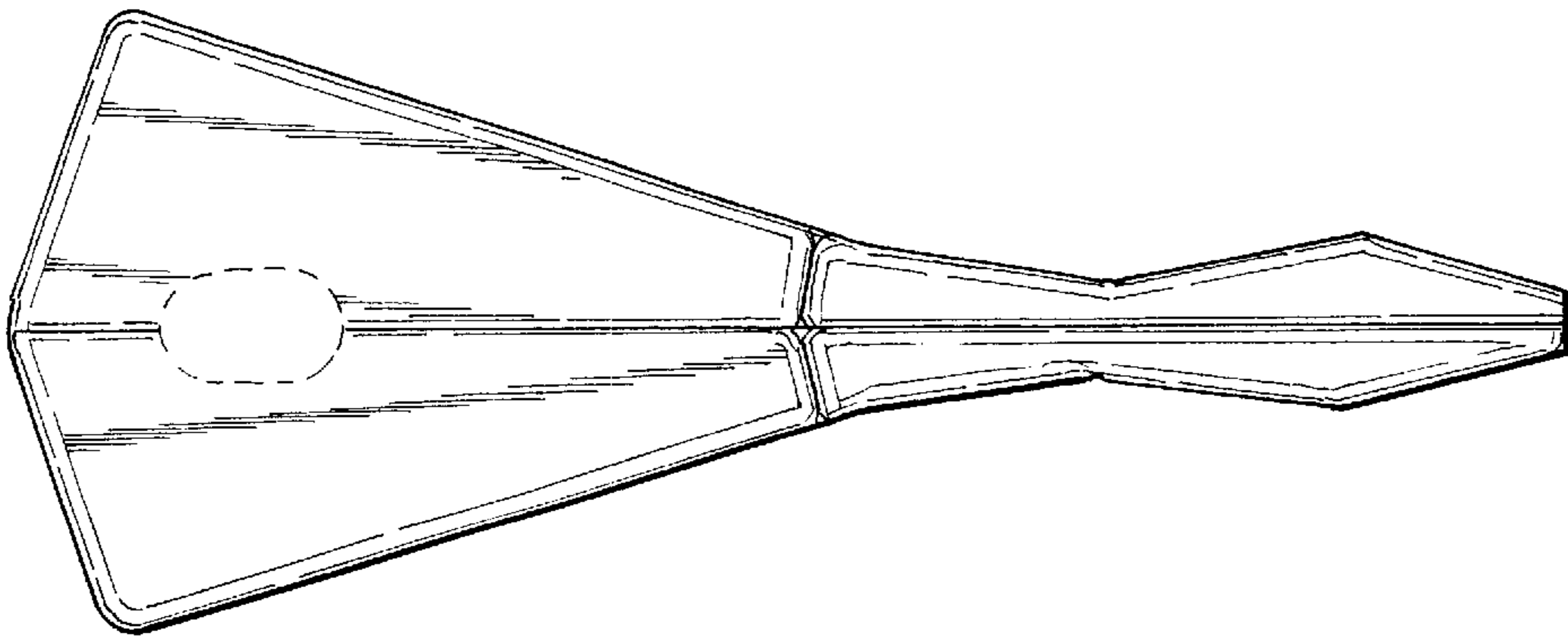


FIG. 16

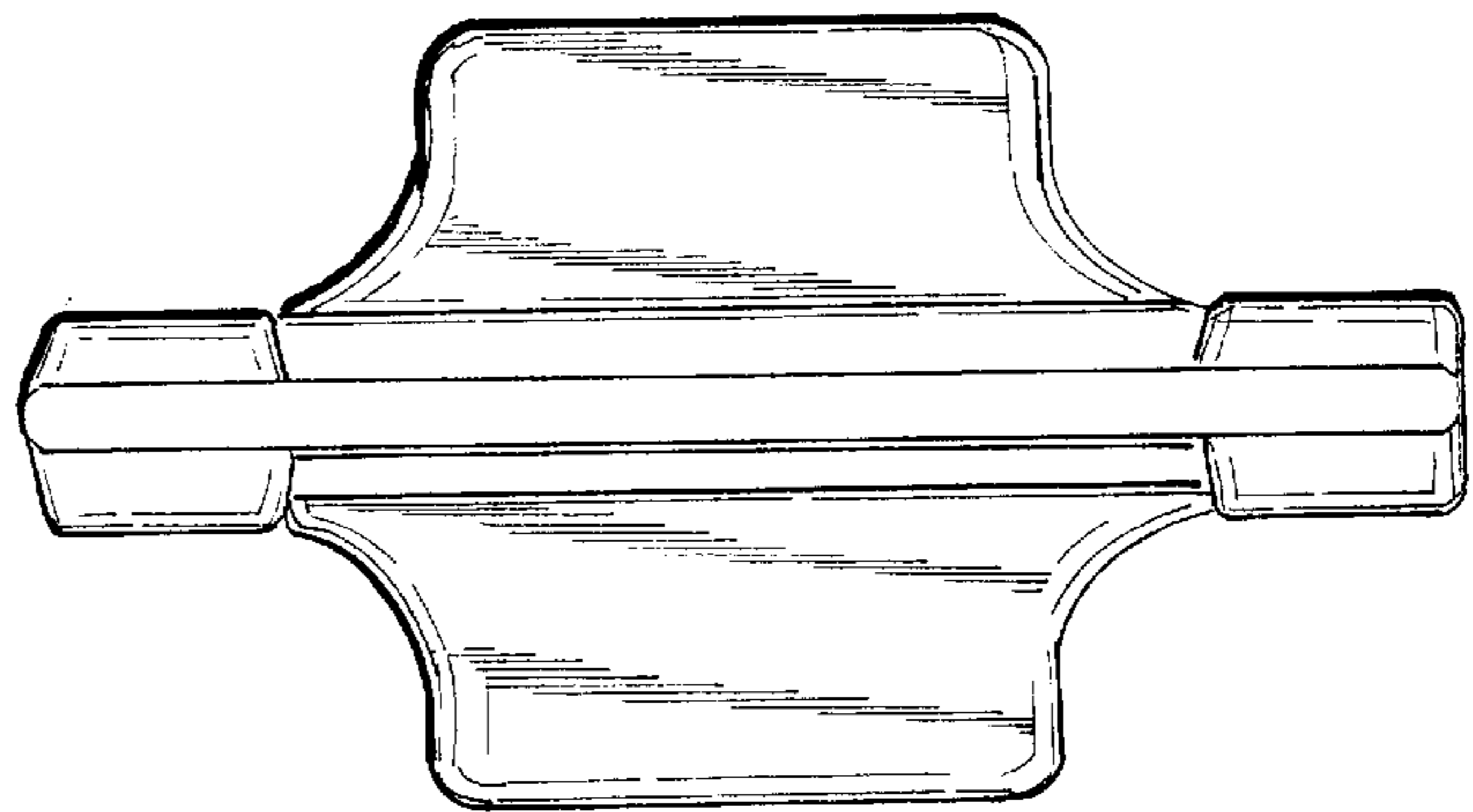


FIG. 18

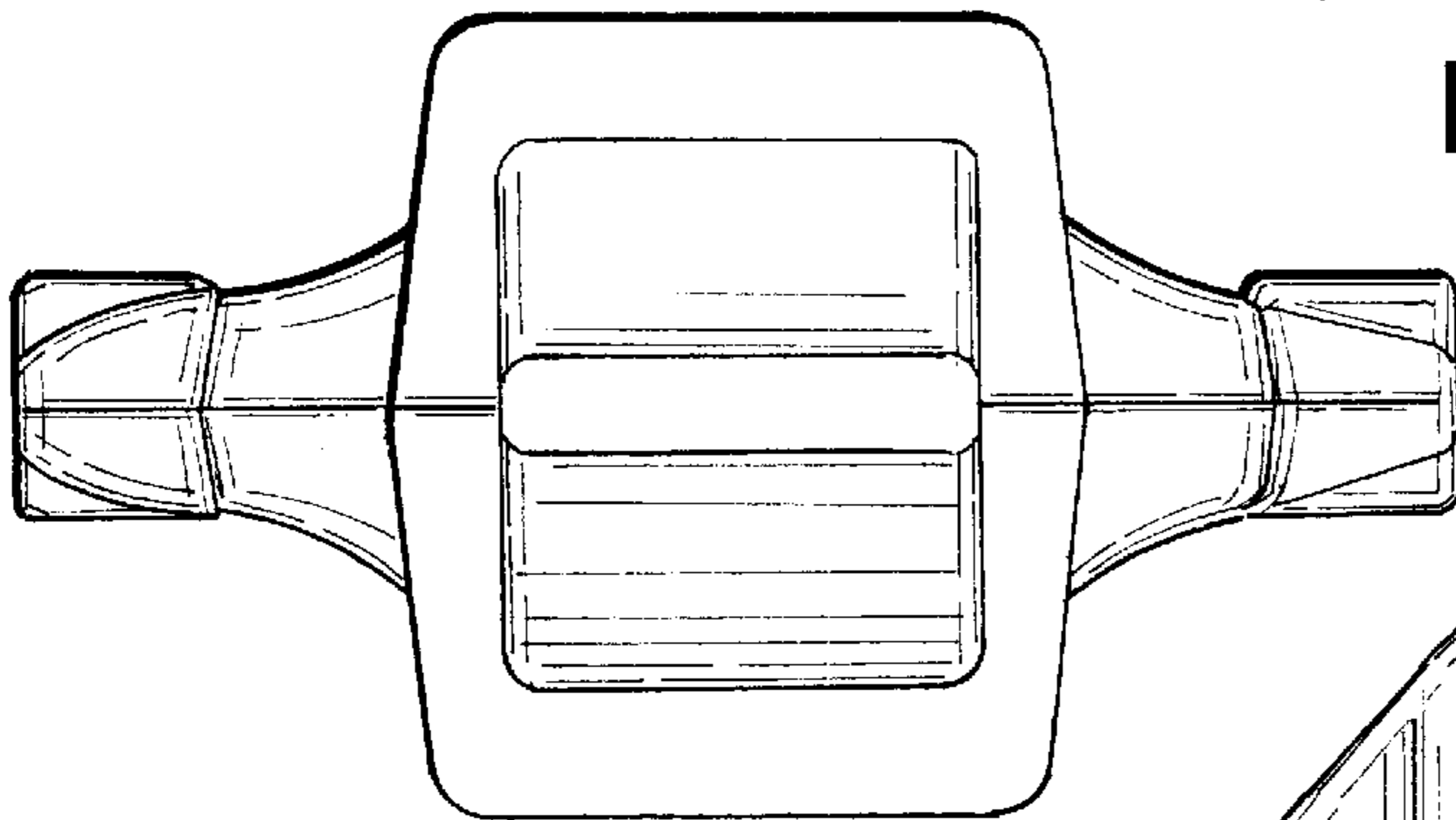


FIG. 19

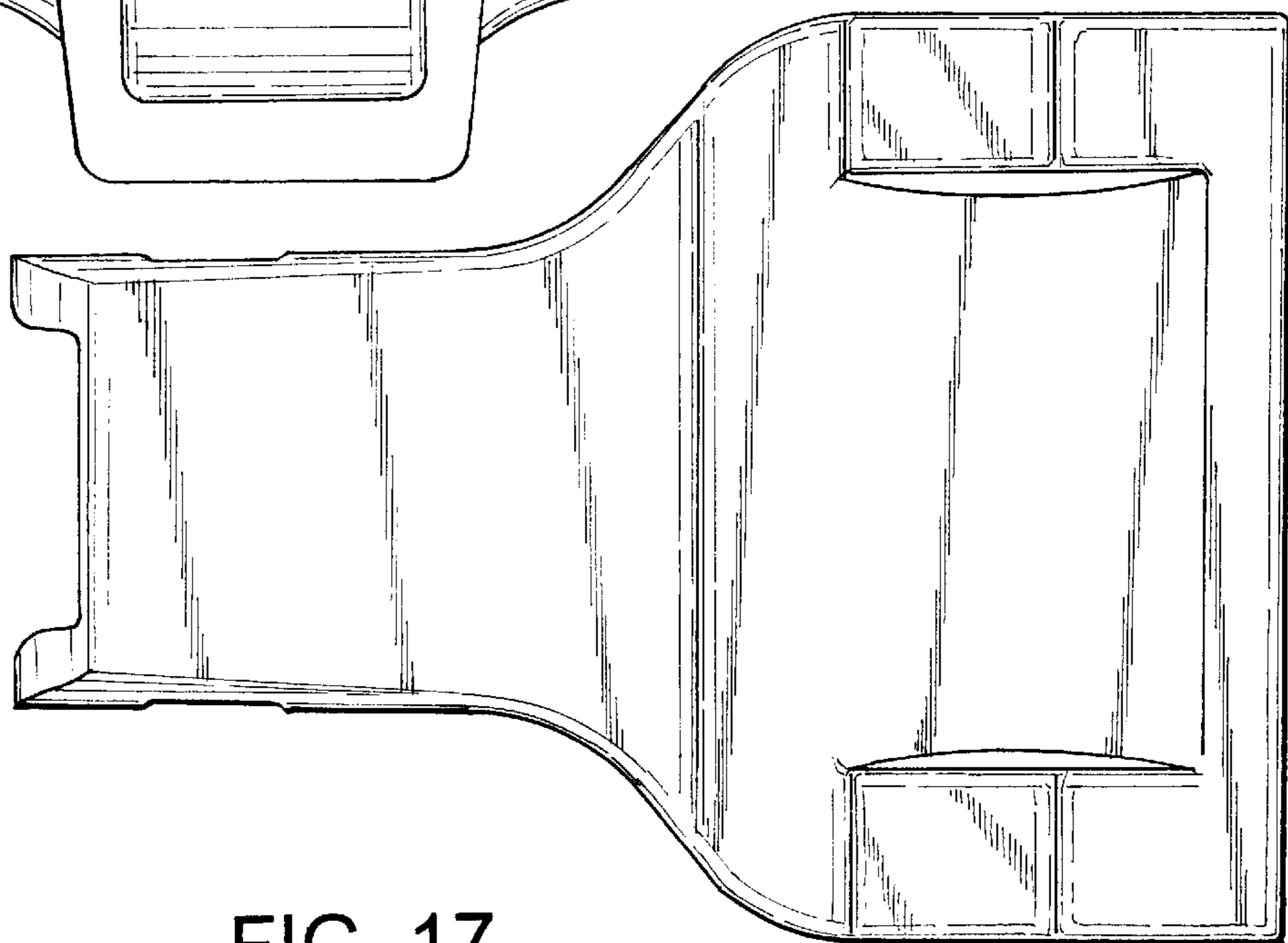


FIG. 17