



US00D486835S

(12) **United States Design Patent**  
**Hsiao**

(10) **Patent No.:** **US D486,835 S**

(45) **Date of Patent:** **\*\* Feb. 17, 2004**

(54) **AIR COMPRESSOR FOR AN AIR COMPRESSOR ASSEMBLY**

D405,455 S \* 2/1999 Leu et al. .... D15/9  
D419,567 S \* 1/2000 Weiss ..... D15/7

(76) Inventor: **Eming Hsiao**, No. 427, Sec. 2,  
Doou-Chung Rd., Tien-Chung,  
Chang-Hwa (TW)

\* cited by examiner

*Primary Examiner*—Ralf Seifert  
(74) *Attorney, Agent, or Firm*—Alan D. Kamrath; Rider  
Bennett, LLP

(\*\*) Term: **14 Years**

(57) **CLAIM**

(21) Appl. No.: **29/173,650**

The ornamental design for an air compressor for an air compressor assembly, as shown and described.

(22) Filed: **Jan. 3, 2003**

(51) **LOC (7) Cl.** ..... **15-02**

**DESCRIPTION**

(52) **U.S. Cl.** ..... **D15/9**

(58) **Field of Search** ..... D15/7-9; 92/82;  
417/435, 313, 321, 360, 410-411, 415,  
405, 323, 63

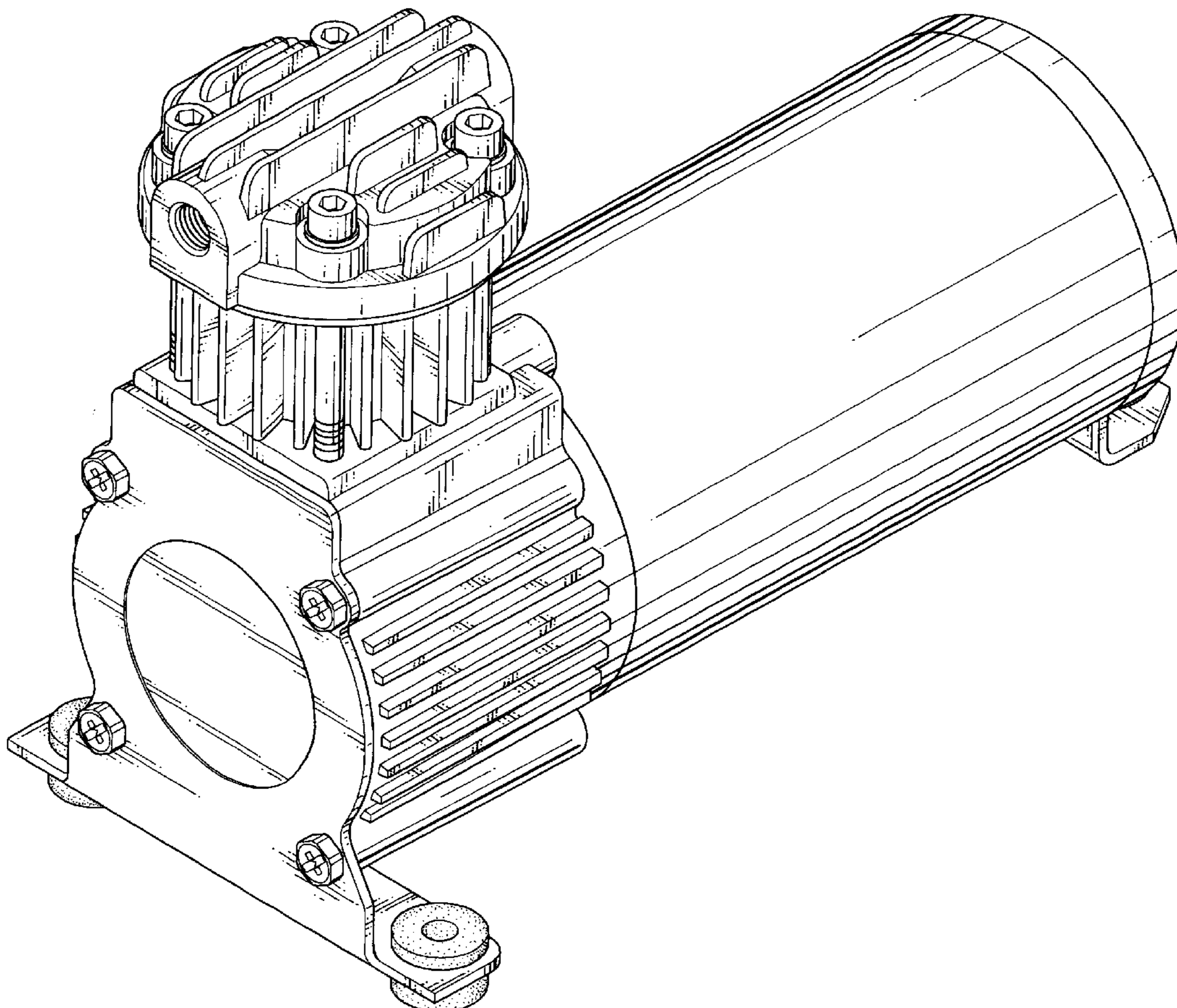
FIG. 1 is a perspective view of an air compressor for an air compressor assembly, showing my new design;  
FIG. 2 is a front elevational view thereof;  
FIG. 3 is a rear elevational view thereof;  
FIG. 4 is a left side elevational view thereof;  
FIG. 5 is a right side elevational view thereof;  
FIG. 6 is a top plan view thereof; and  
FIG. 7 is a bottom plan view thereof; and,  
FIG. 8 is a side view showing an embodiment of the claimed design, wherein the broken lines are shown for illustrative purposes only and form no part of the claimed design.

(56) **References Cited**

**U.S. PATENT DOCUMENTS**

D286,782 S	*	11/1986	Somers	.....	D15/7
D293,682 S	*	1/1988	Liou	.....	D15/9
D299,143 S	*	12/1988	Hazlehurst	.....	D15/7
D303,394 S	*	9/1989	Mariol	.....	D15/9
5,520,519 A	*	5/1996	Birkeland	.....	417/63
D372,719 S	*	8/1996	Jensen	.....	D15/7

**1 Claim, 7 Drawing Sheets**



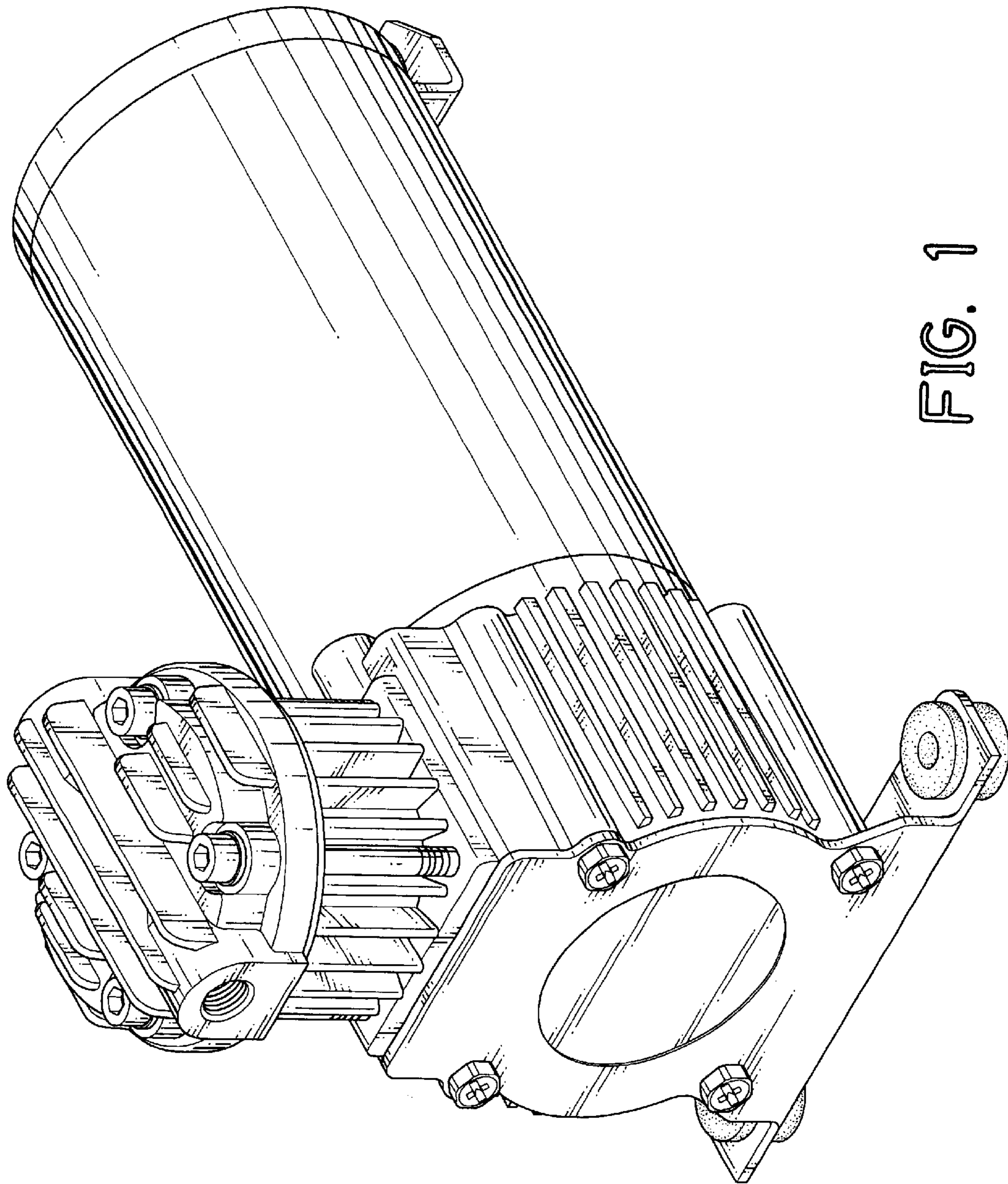


FIG. 1

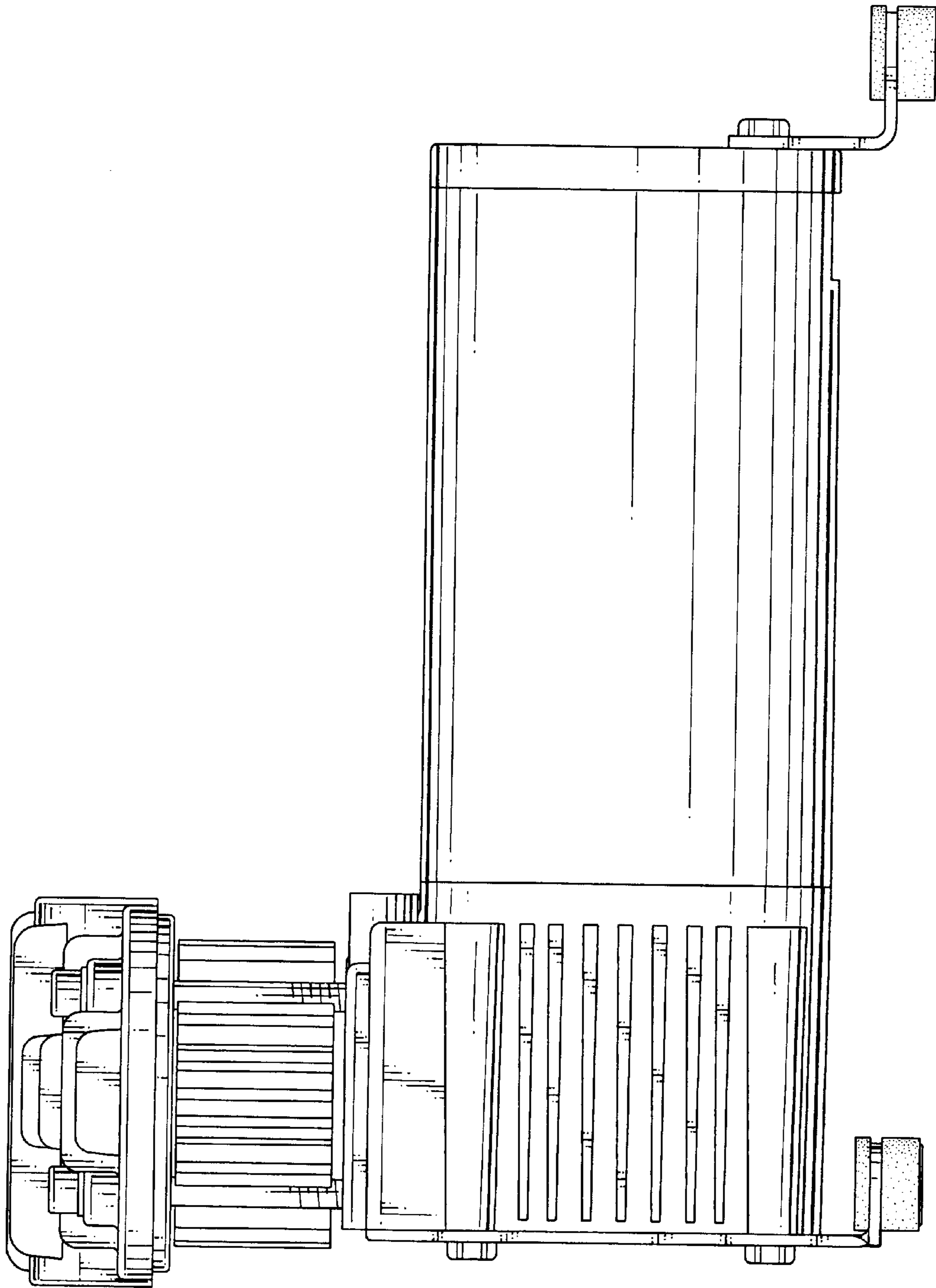


FIG. 2



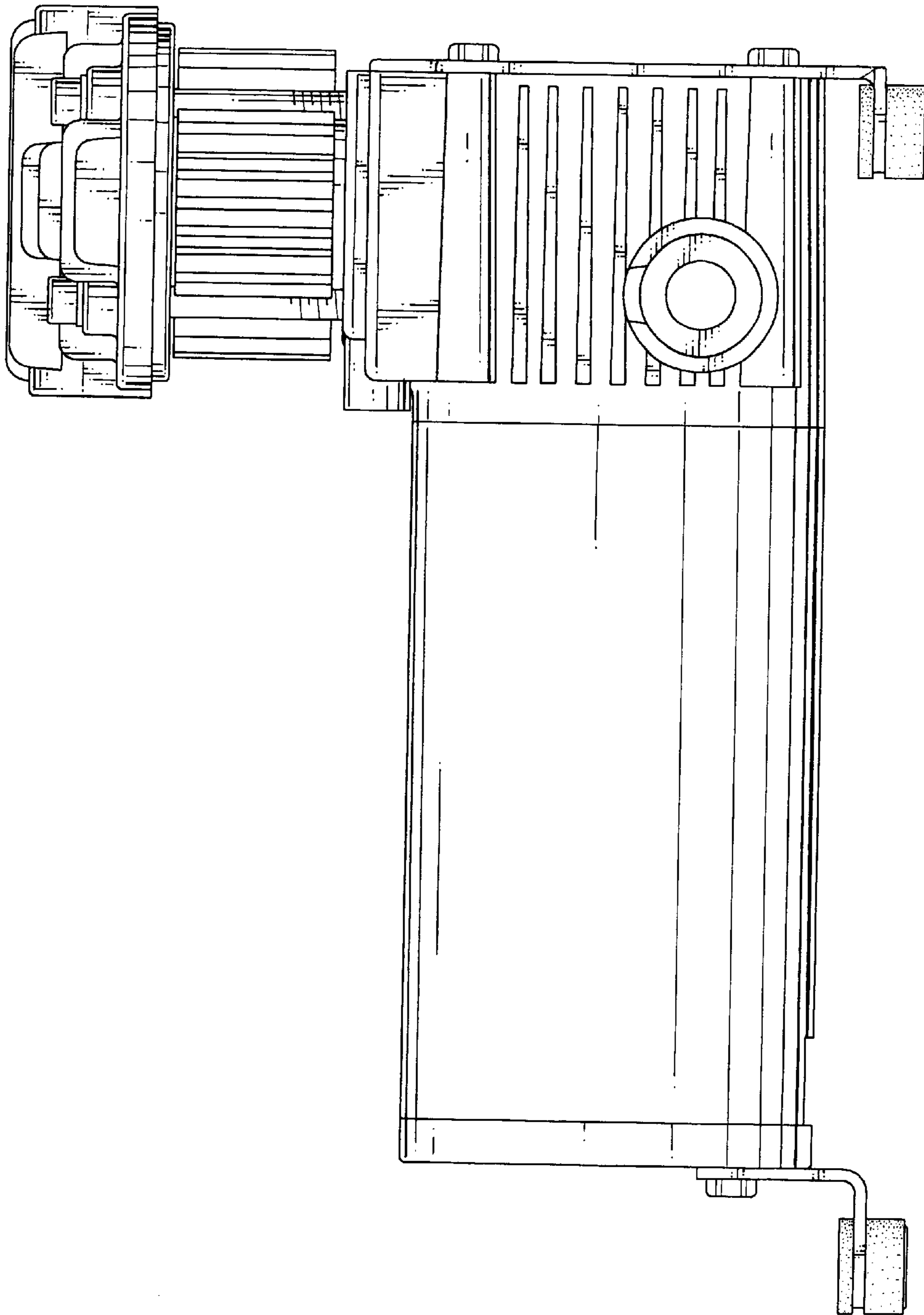


FIG. 3

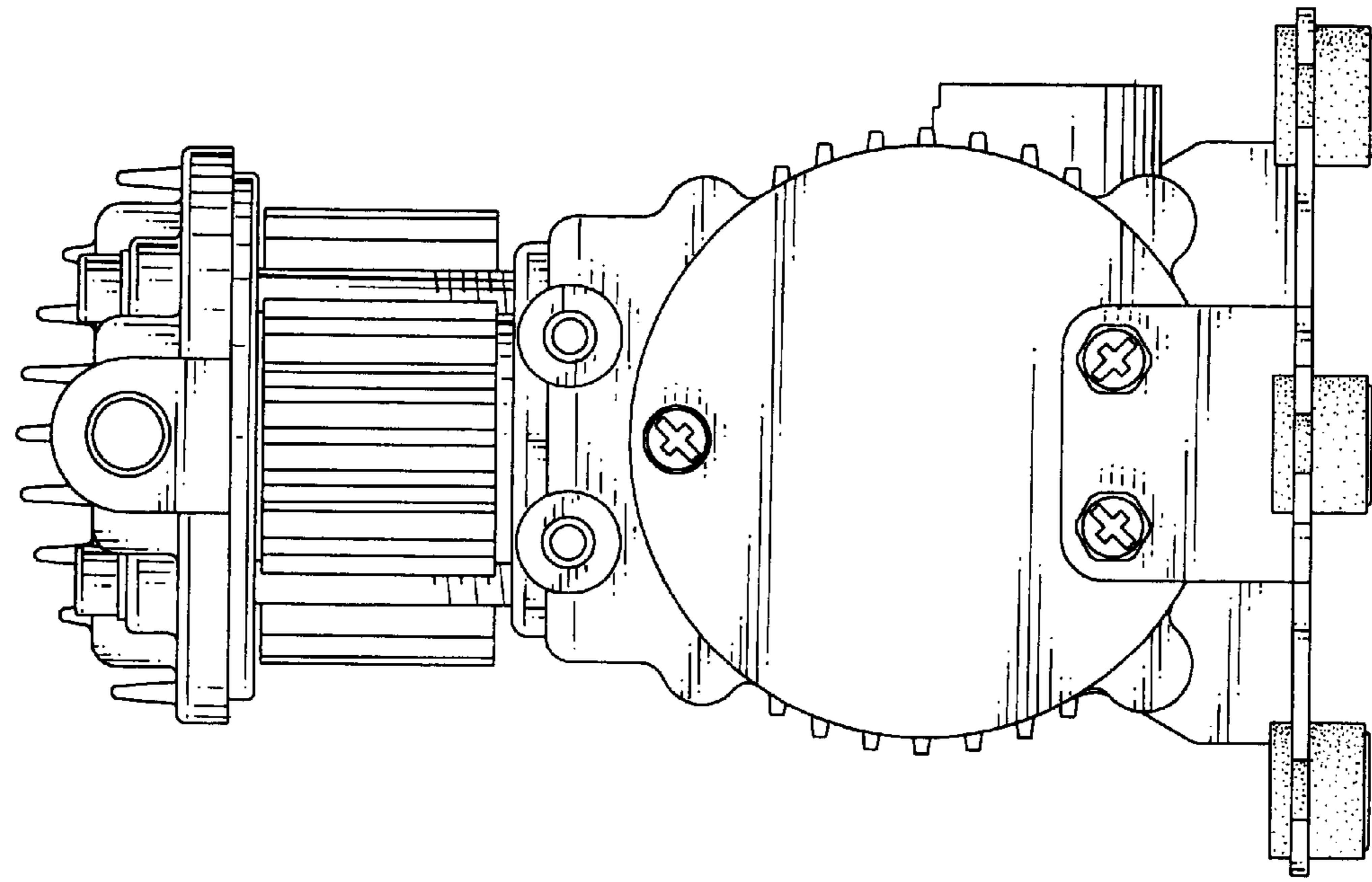


FIG. 5

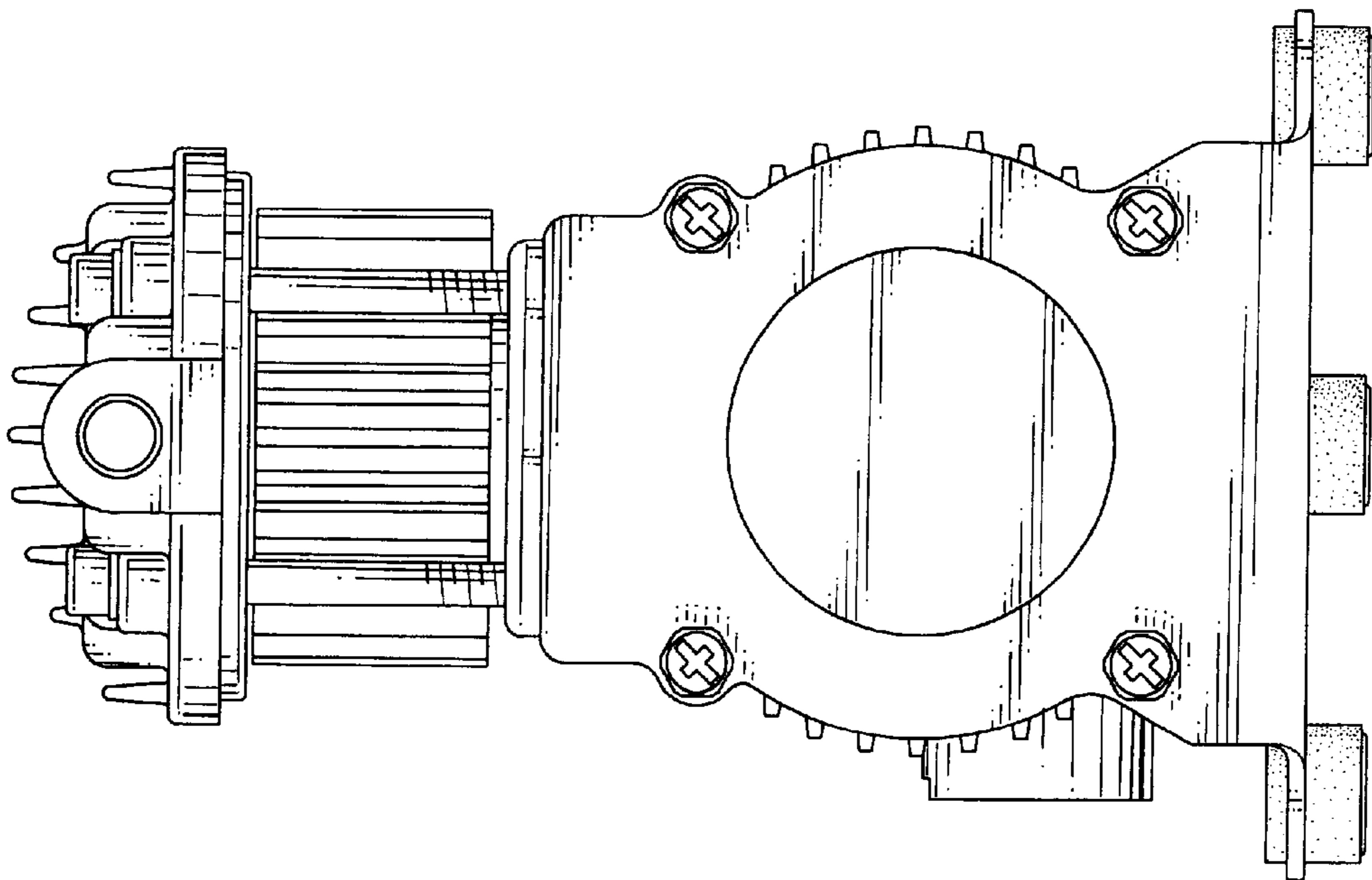


FIG. 4

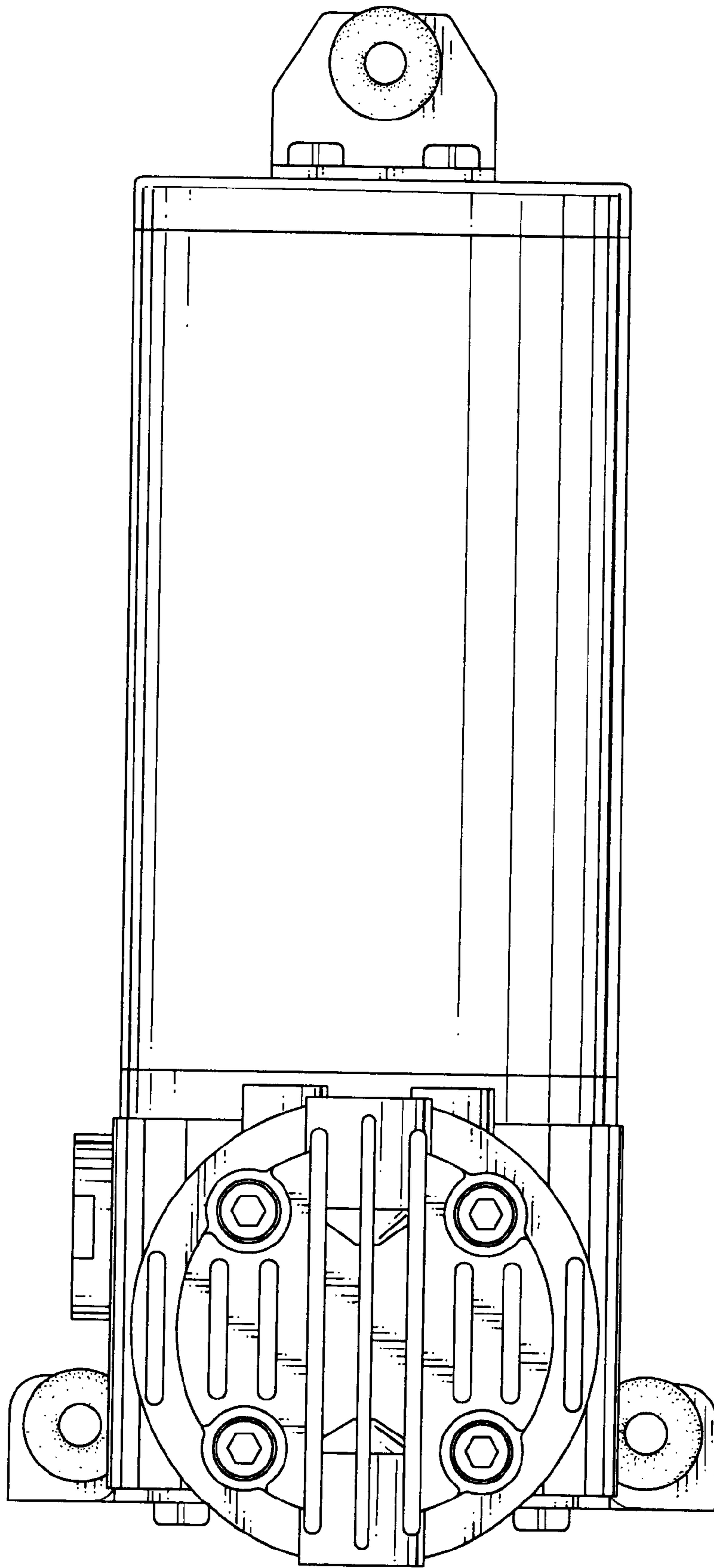


FIG. 6

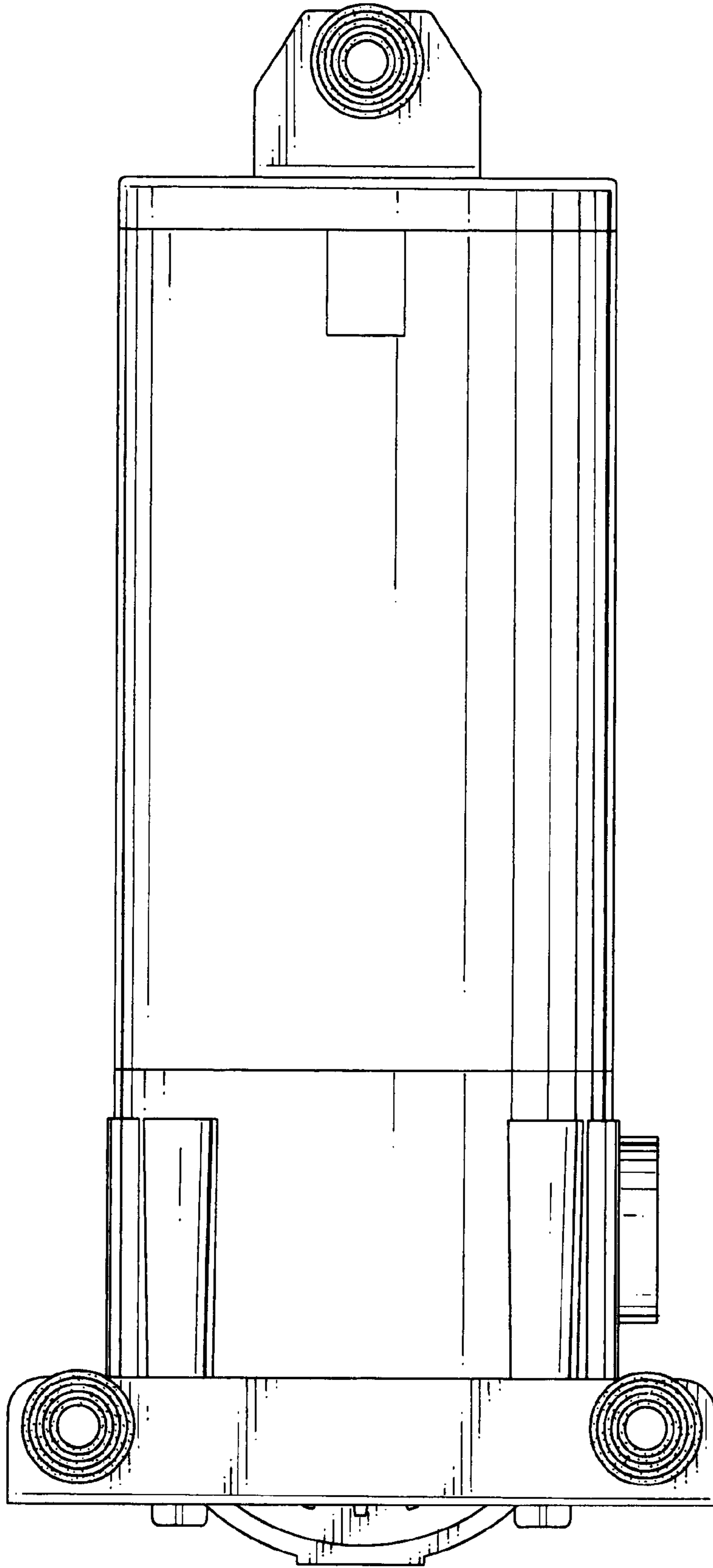


FIG. 7

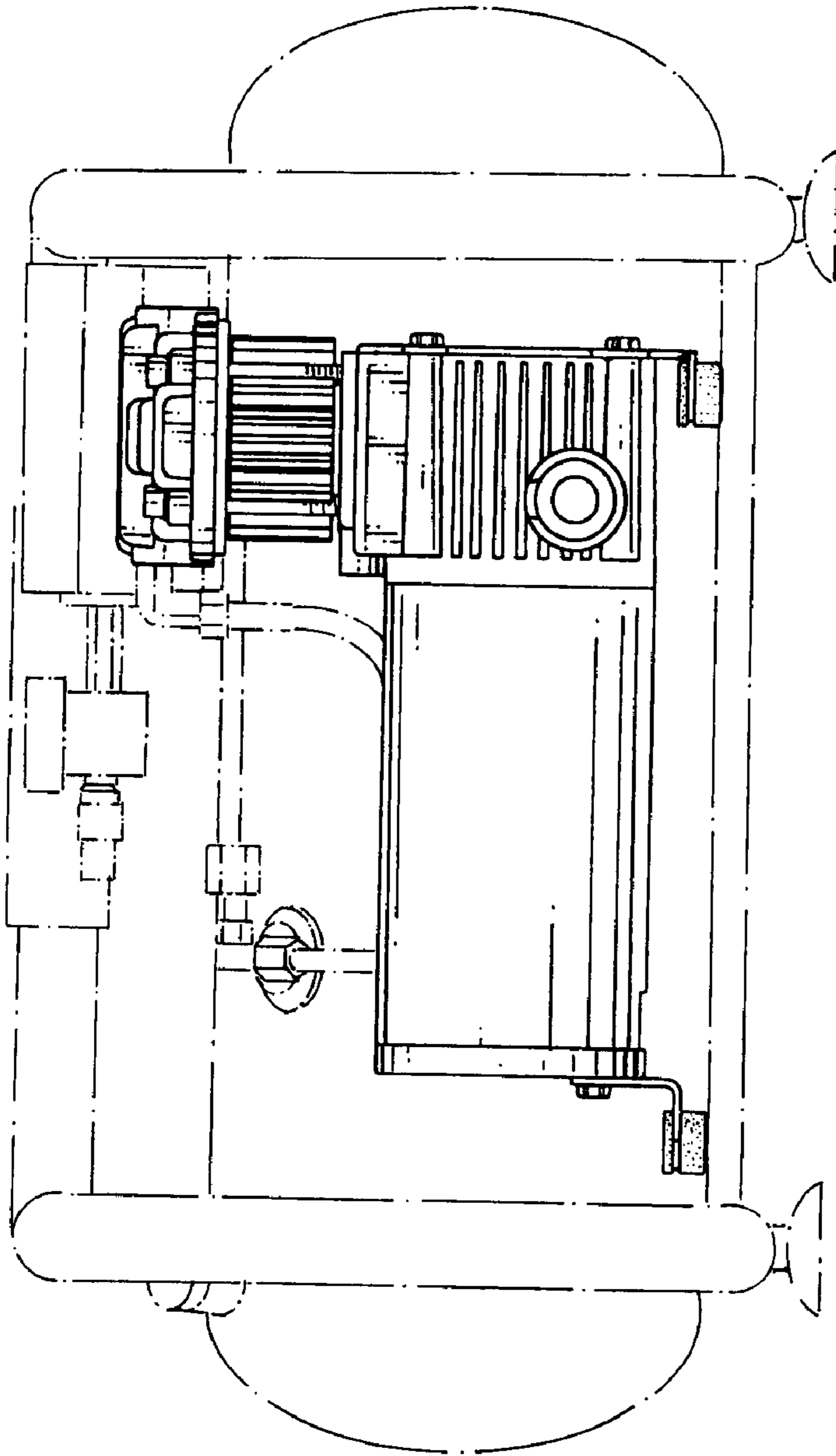


FIG. 8