



US00D486833S

(12) **United States Design Patent**
Koizumi et al.

(10) **Patent No.:** **US D486,833 S**

(45) **Date of Patent:** **** Feb. 17, 2004**

(54) **ROTARY DAMPER**

(75) Inventors: **Kazuyoshi Koizumi**, Sagamihara (JP);
Ken Hayashi, Sagamihara (JP)

(73) Assignee: **Nifco Inc.**, Yokohama (JP)

(**) Term: **14 Years**

(21) Appl. No.: **29/149,966**

(22) Filed: **Oct. 25, 2001**

(30) **Foreign Application Priority Data**

Apr. 27, 2001 (JP) 2001-012354

(51) **LOC (7) Cl.** **14-99**

(52) **U.S. Cl.** **D14/483**

(58) **Field of Search** D14/474-483,
D14/496, 299; D8/499, 323; 360/220, 221.1,
230, 137; 475/92; 188/290, 371, 378, 268;
381/354; D15/147, 199, 143

(56) **References Cited**

U.S. PATENT DOCUMENTS

4,571,773 A * 2/1986 Yuda 188/290
4,893,522 A * 1/1990 Arakawa 188/290
5,211,267 A * 5/1993 Clark 188/290

5,355,979 A * 10/1994 Stephan et al. 188/290
5,392,884 A * 2/1995 Ojima 188/290
D479,242 S * 9/2003 Kurachi et al. D14/483

FOREIGN PATENT DOCUMENTS

JP 842723 7/1992

* cited by examiner

Primary Examiner—Prabhakar Deshmukh

(74) *Attorney, Agent, or Firm*—Kanesaka & Takeuchi

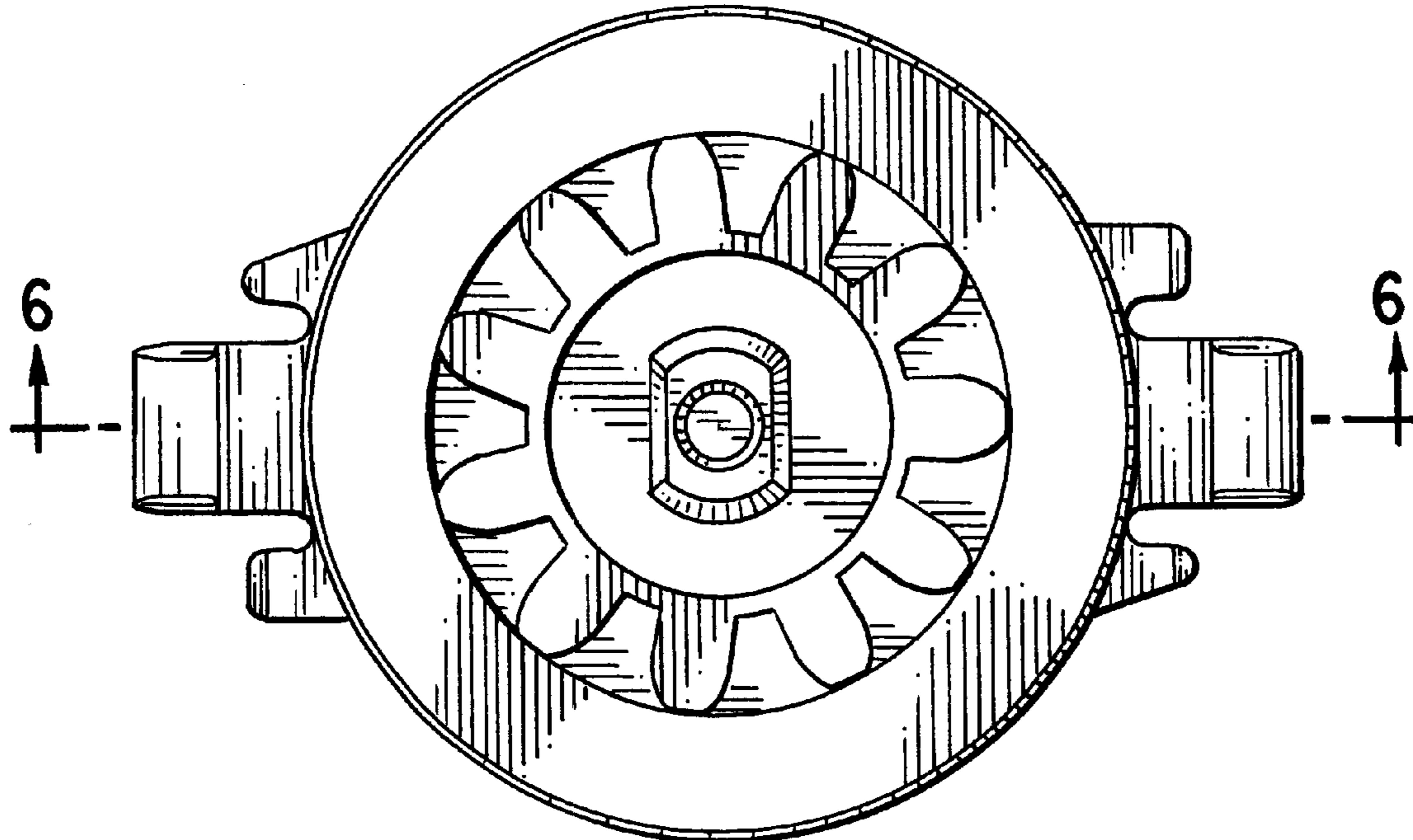
(57) **CLAIM**

The ornamental design for a rotary damper, as shown and described.

DESCRIPTION

FIG. 1 is a top plan view of a rotary damper showing our new design;
FIG. 2 is a front view thereof;
FIG. 3 is a bottom plan view thereof;
FIG. 4 is a rear view thereof;
FIG. 5 is a right side view thereof, the left side view being identical to the right side view; and,
FIG. 6 is a cross sectional view taken along line 6—6 in FIG. 1.

1 Claim, 3 Drawing Sheets



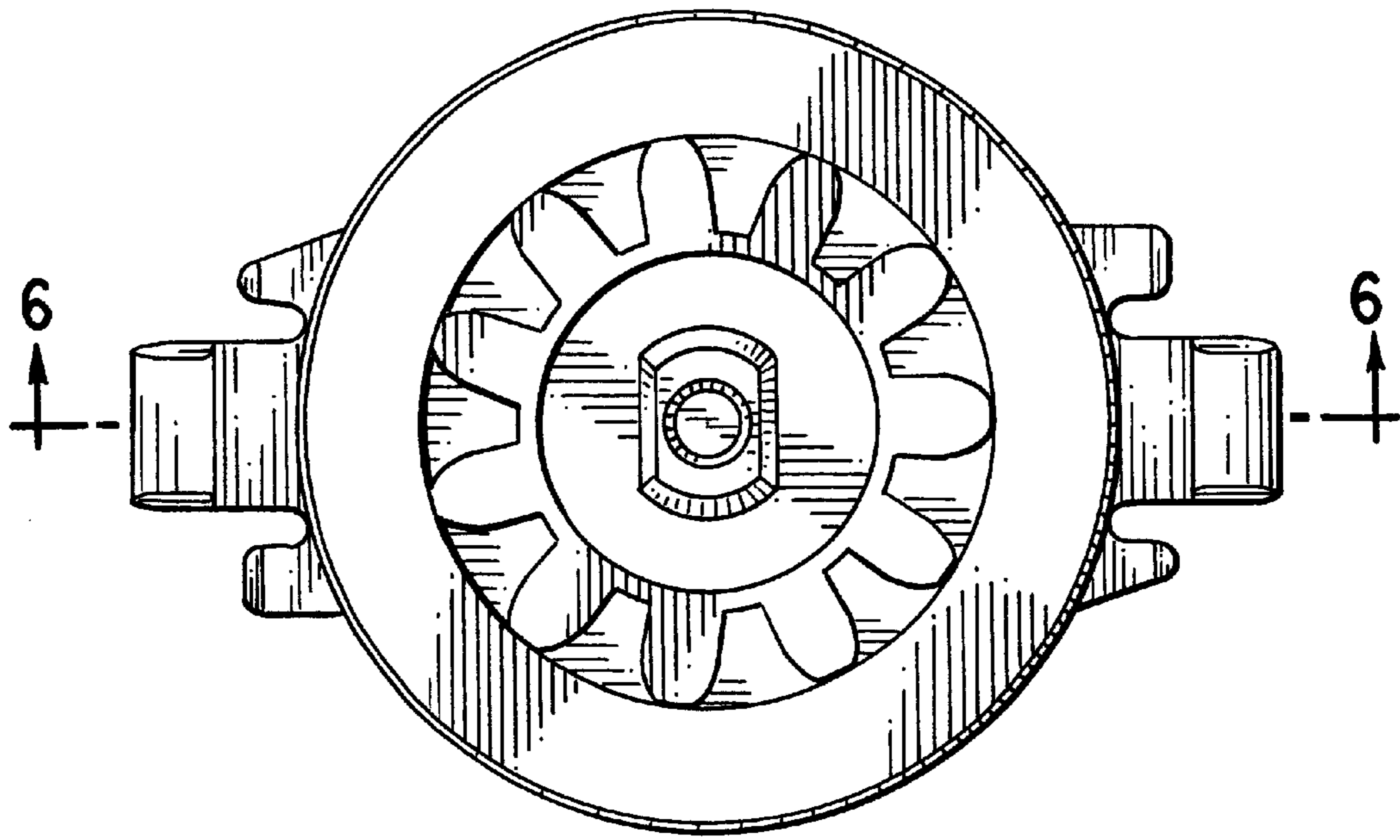


FIG. 1

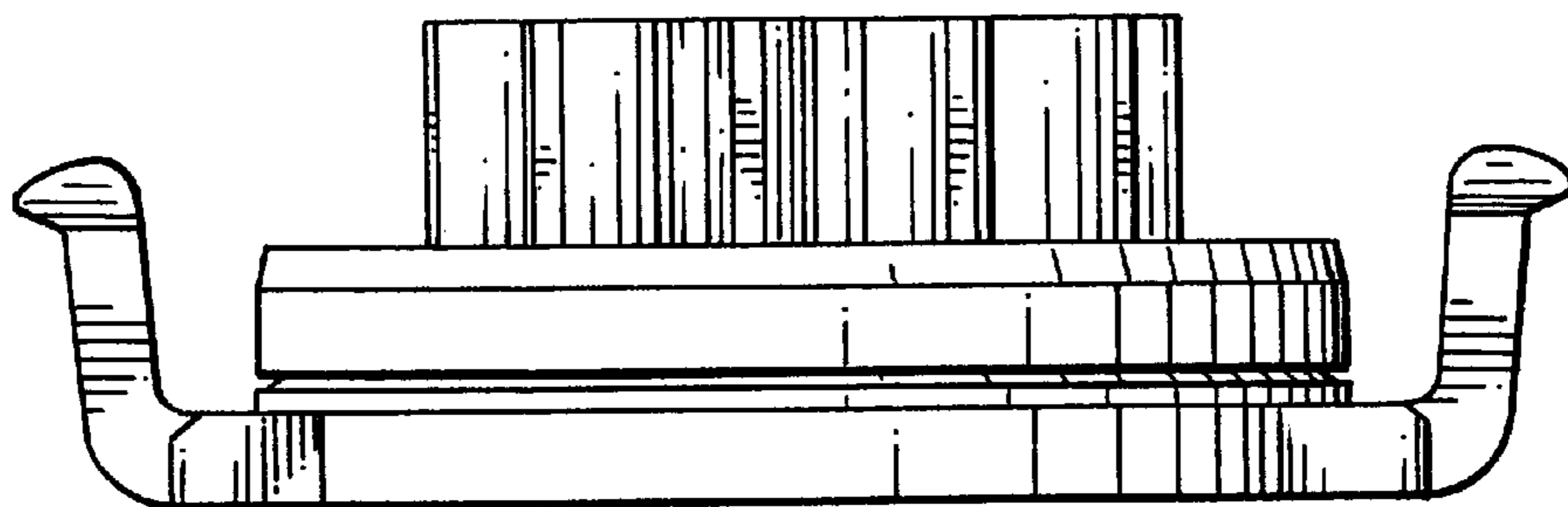


FIG. 2

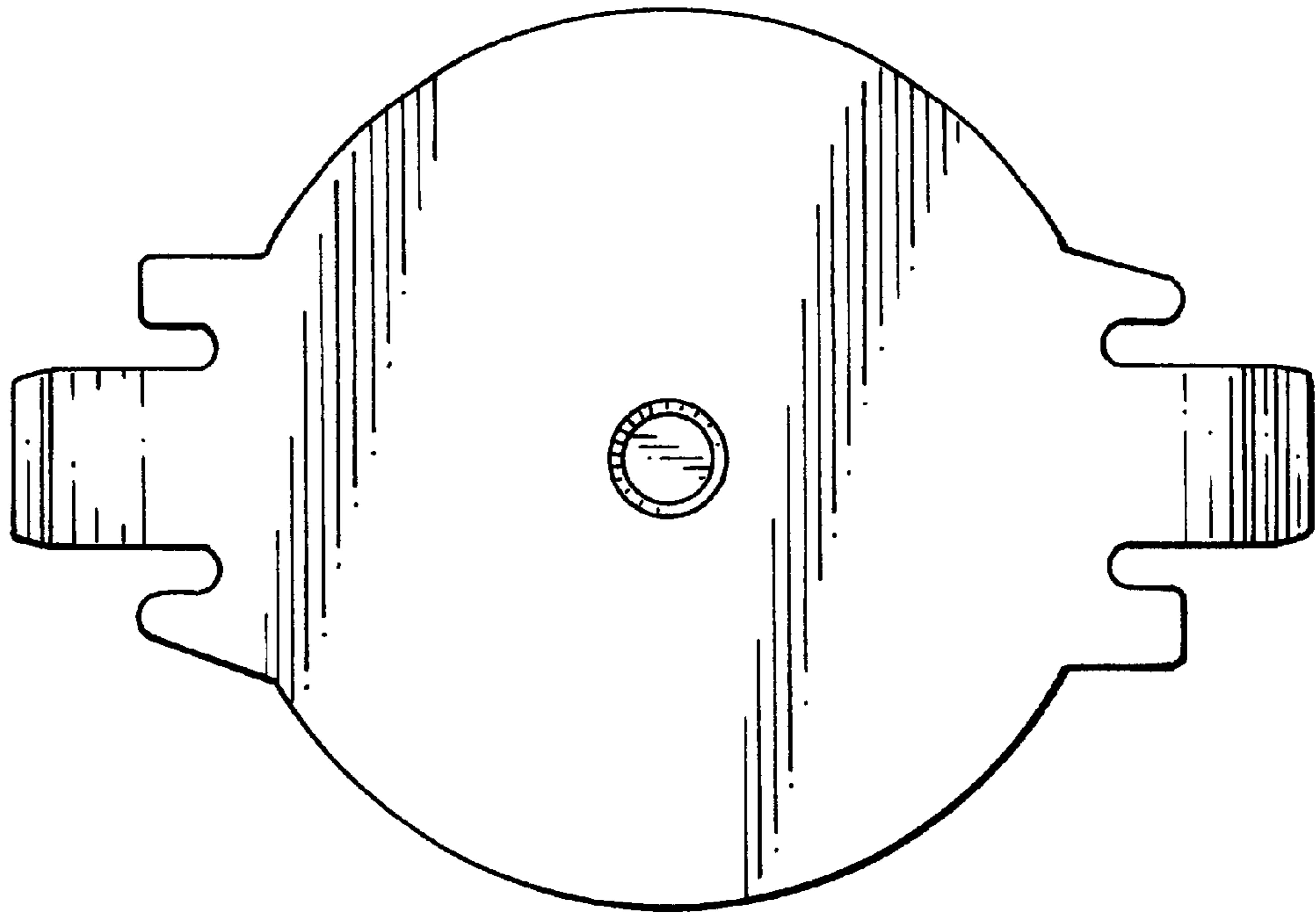


FIG. 3

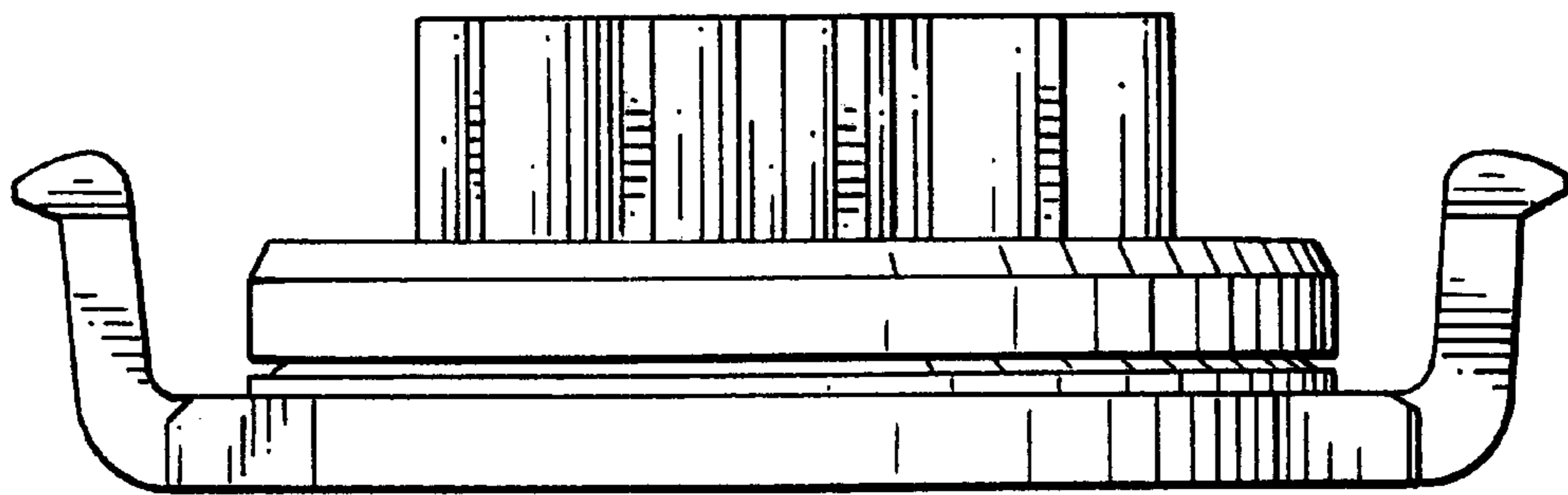


FIG. 4

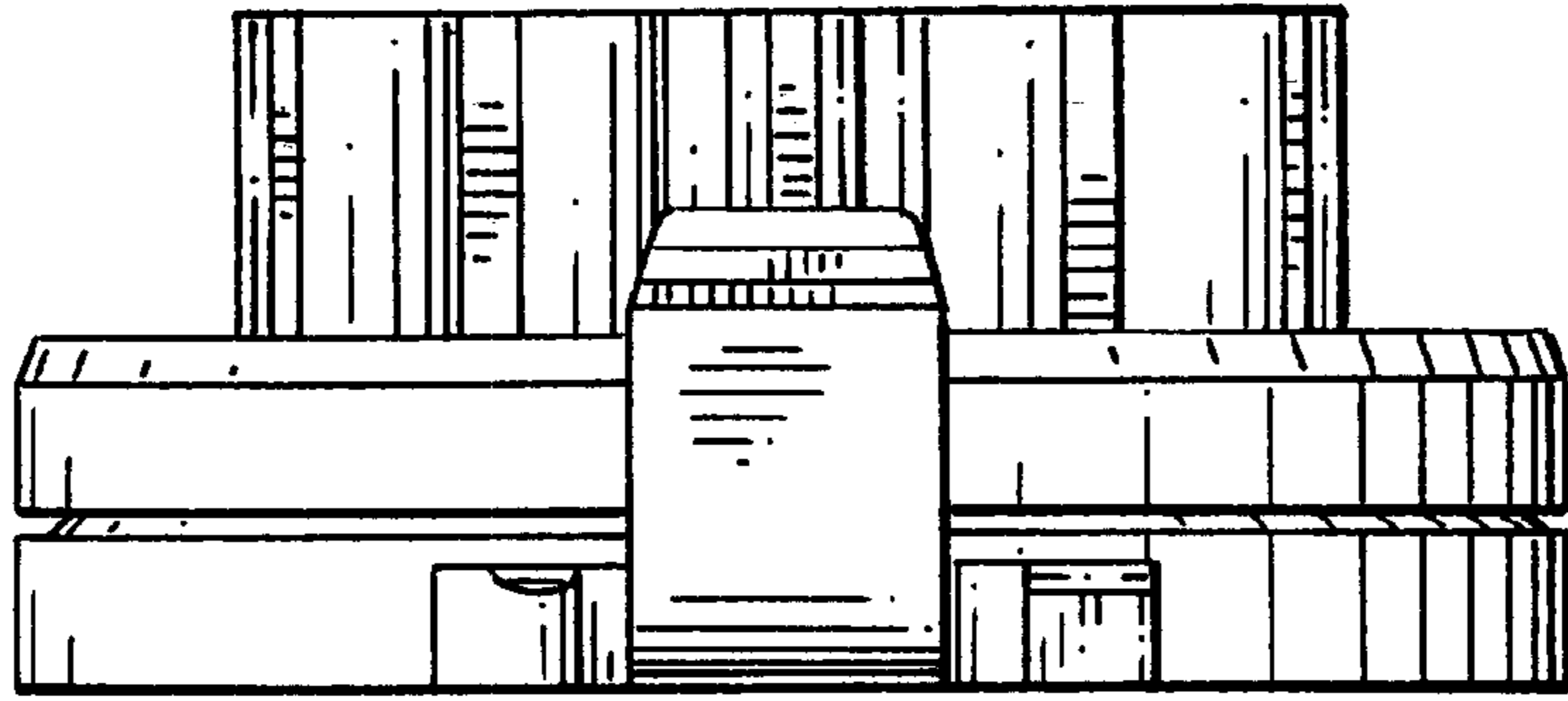


FIG. 5

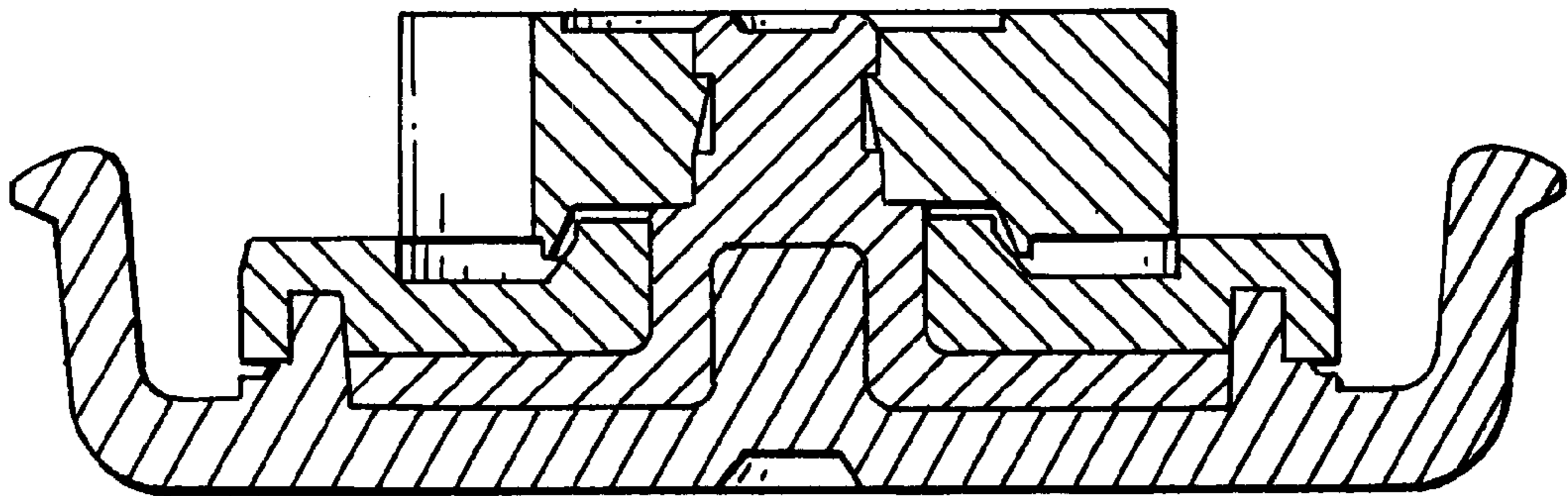


FIG. 6