



US00D486832S

(12) **United States Design Patent**  
**Masuda et al.**

(10) **Patent No.:** **US D486,832 S**  
(45) **Date of Patent:** **\*\* Feb. 17, 2004**

(54) **COMPUTER MONITOR ASSEMBLY**

(75) Inventors: **Kuni Masuda**, Cupertino, CA (US);  
**James Stanton**, San Jose, CA (US);  
**Christopher H. Frank**, Campbell, CA (US)

(73) Assignee: **Sun Microsystems, Inc.**, Santa Clara, CA (US)

(\*\*) Term: **14 Years**

(21) Appl. No.: **29/180,331**

(22) Filed: **Apr. 22, 2003**

**Related U.S. Application Data**

(63) Continuation-in-part of application No. 10/096,778, filed on Mar. 12, 2002, now Pat. No. 6,561,469, and a continuation-in-part of application No. 10/097,240, filed on Mar. 12, 2002, now Pat. No. 6,575,419.

(51) **LOC (7) Cl.** ..... **14-02**

(52) **U.S. Cl.** ..... **D14/451; D14/452**

(58) **Field of Search** ..... **D14/432, 439, D14/447, 448, 451, 452, 496; 248/163.1, 176.1, 676, 919-923, 289.11, 282.1, 184.1**

(56) **References Cited**

**U.S. PATENT DOCUMENTS**

4,478,382 A \* 10/1984 Carrier ..... 248/184.1  
D461,817 S \* 8/2002 Goto ..... D14/451  
D462,359 S \* 9/2002 Scharer et al. .... D14/452

\* cited by examiner

*Primary Examiner*—Kay H. Chin

(74) *Attorney, Agent, or Firm*—O'Melveny & Myers LLP

(57) **CLAIM**

The ornamental design for a computer monitor assembly, as shown and described.

**DESCRIPTION**

The design consists of the ornamental shape of a monitor

assembly for a computer system. Broken lines in the drawings show environmental association matters and are for illustrative purposes only, forming no part of our claimed design.

A portion of the disclosure of this design patent document contains material to which a claim of copyright protection is made. The copyright owner has no objection to the facsimile reproduction of the patent document or the patent disclosure as it appears in the U.S. Patent and Trademark office file or records, but reserves all other copyright rights.

FIG. 1 is a front perspective view of a computer monitor assembly showing our new design;

FIG. 2 is a rear perspective view of FIG. 1;

FIG. 3 is a front elevation view of FIG. 1;

FIG. 4 is a rear elevation view of FIG. 1;

FIG. 5 is a top plan view of FIG. 1;

FIG. 6 is a bottom plan view of FIG. 1;

FIG. 7 is a right side elevation view of FIG. 1;

FIG. 8 is a left side elevation view of FIG. 1;

FIG. 9 is a rear perspective view of a second embodiment of the computer monitor assembly;

FIG. 10 is a rear elevation view of FIG. 9;

FIG. 11 is a top plan view of FIG. 9;

FIG. 12 is a bottom plan view of FIG. 9;

FIG. 13 is a right side elevation view of FIG. 9;

FIG. 14 is a left side elevation view of FIG. 9;

FIG. 15 is a rear perspective view of a third embodiment of the computer monitor assembly;

FIG. 16 is a rear elevation view of FIG. 15;

FIG. 17 is a top plan view of FIG. 15;

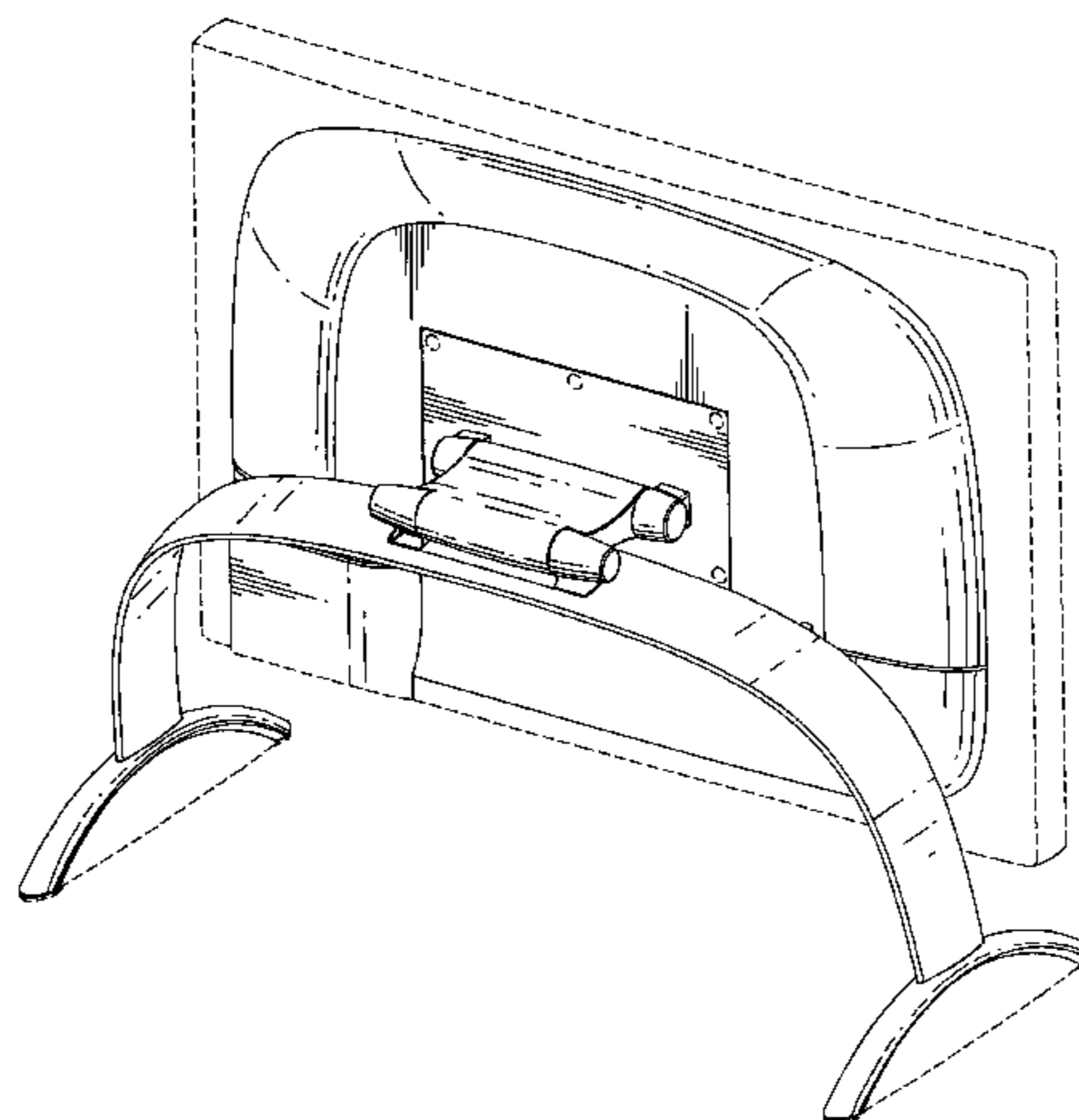
FIG. 18 is a bottom plan view of FIG. 15;

FIG. 19 is a right side elevation view of FIG. 15; and,

FIG. 20 is a left side elevation view of FIG. 15.

The broken line features shown in FIGS. 1 through 20 are for illustrative purposes only and form no part of the claimed design.

**1 Claim, 13 Drawing Sheets**



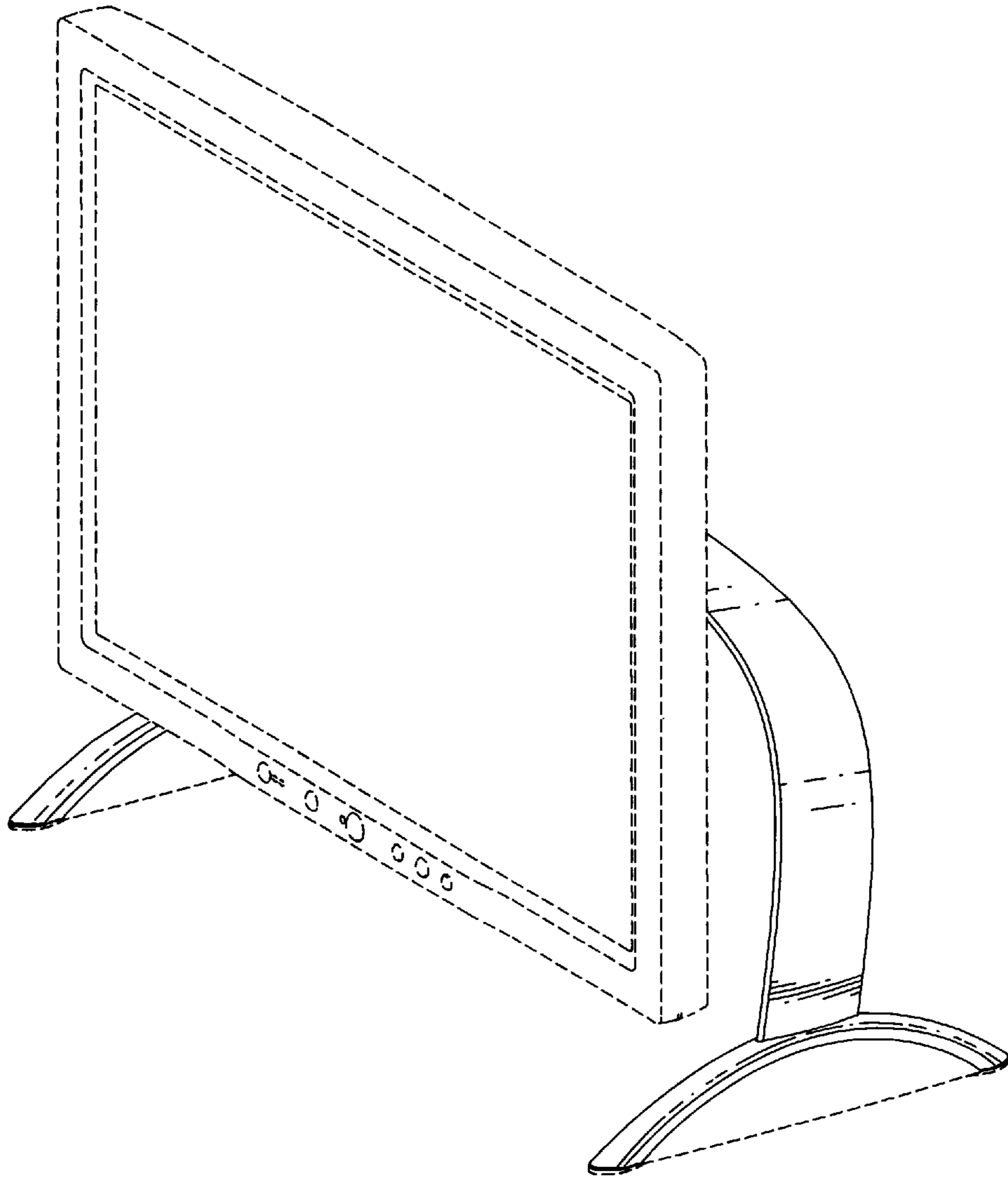


FIG. 1

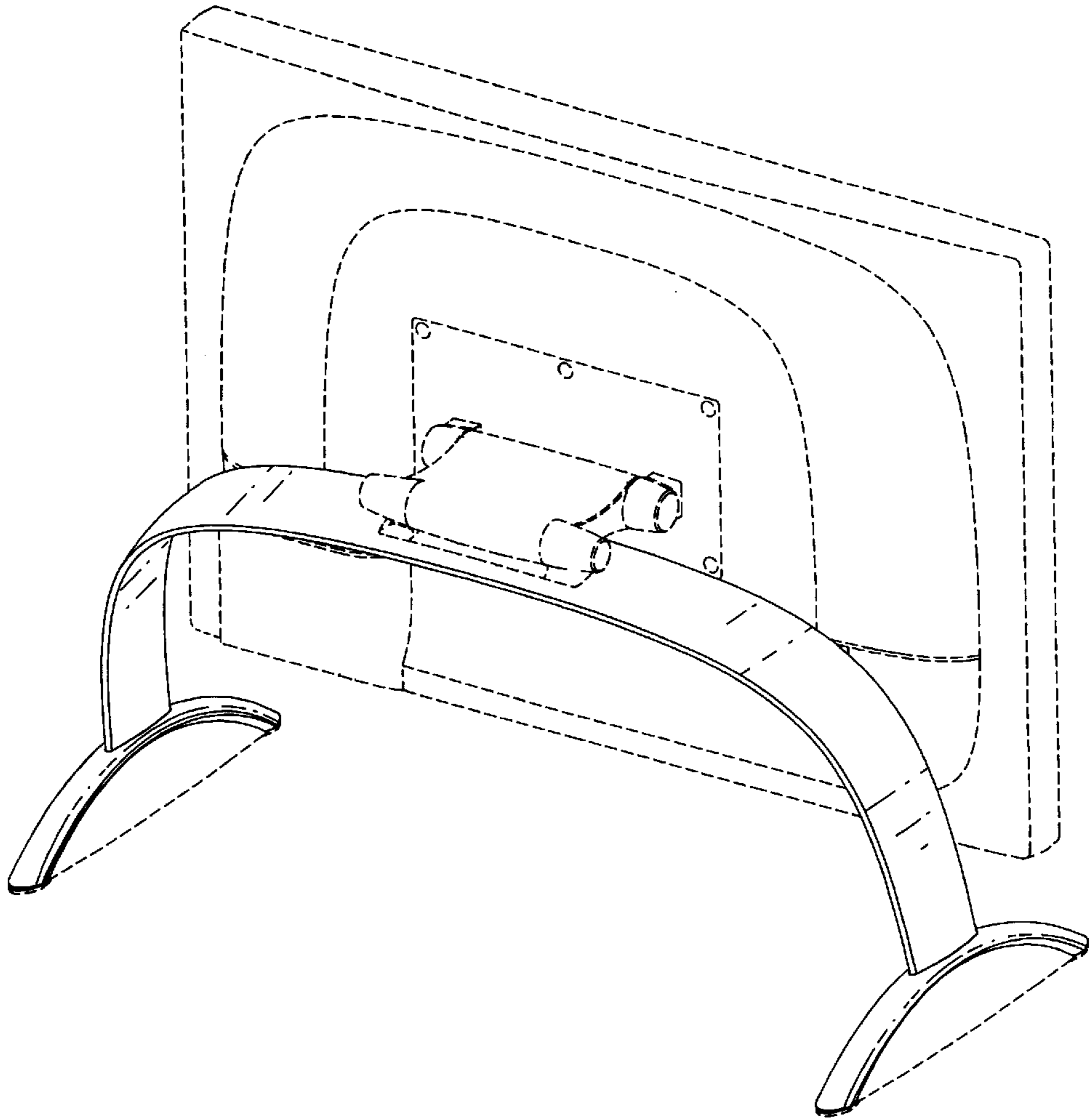


FIG. 2

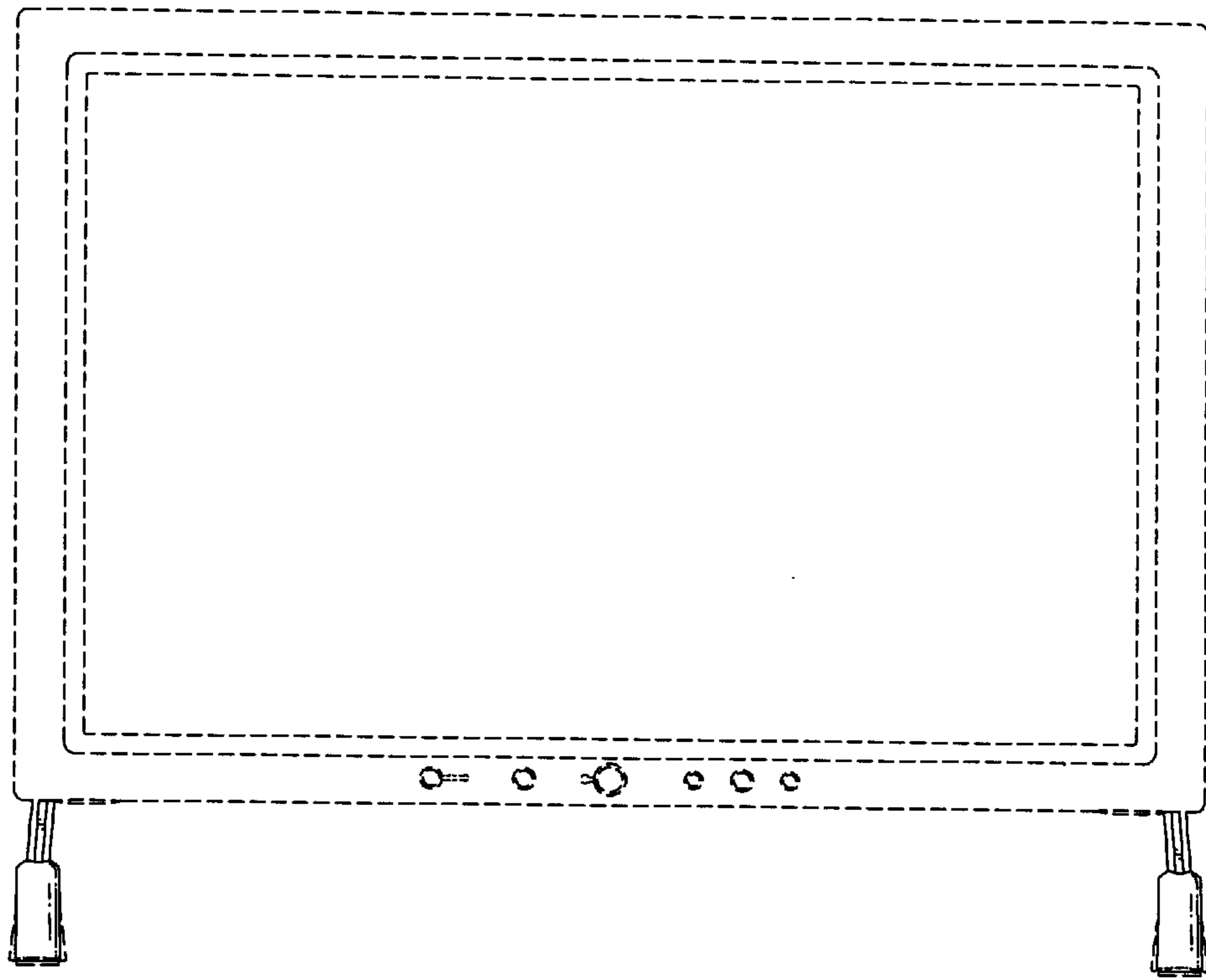


FIG. 3

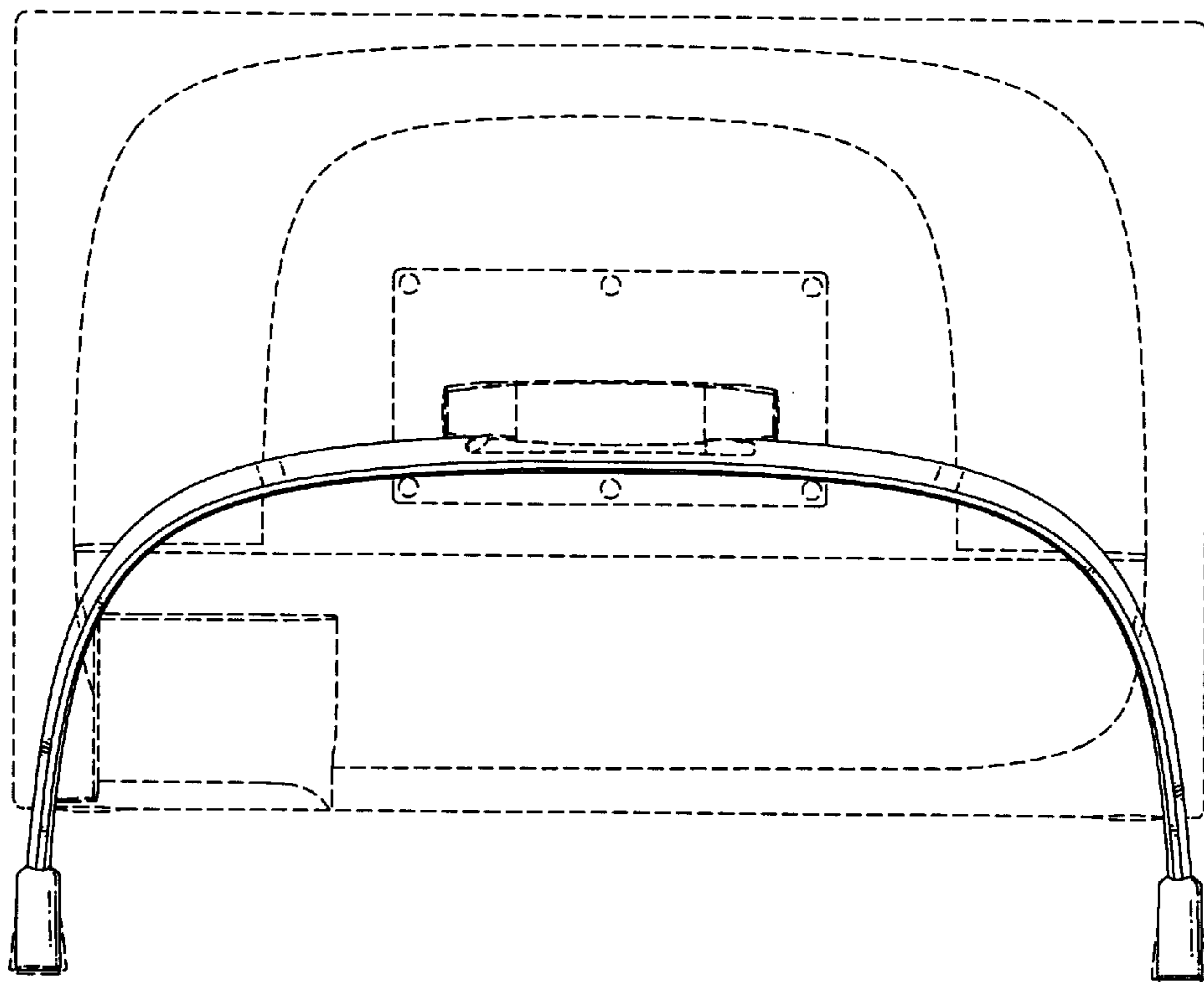


FIG. 4

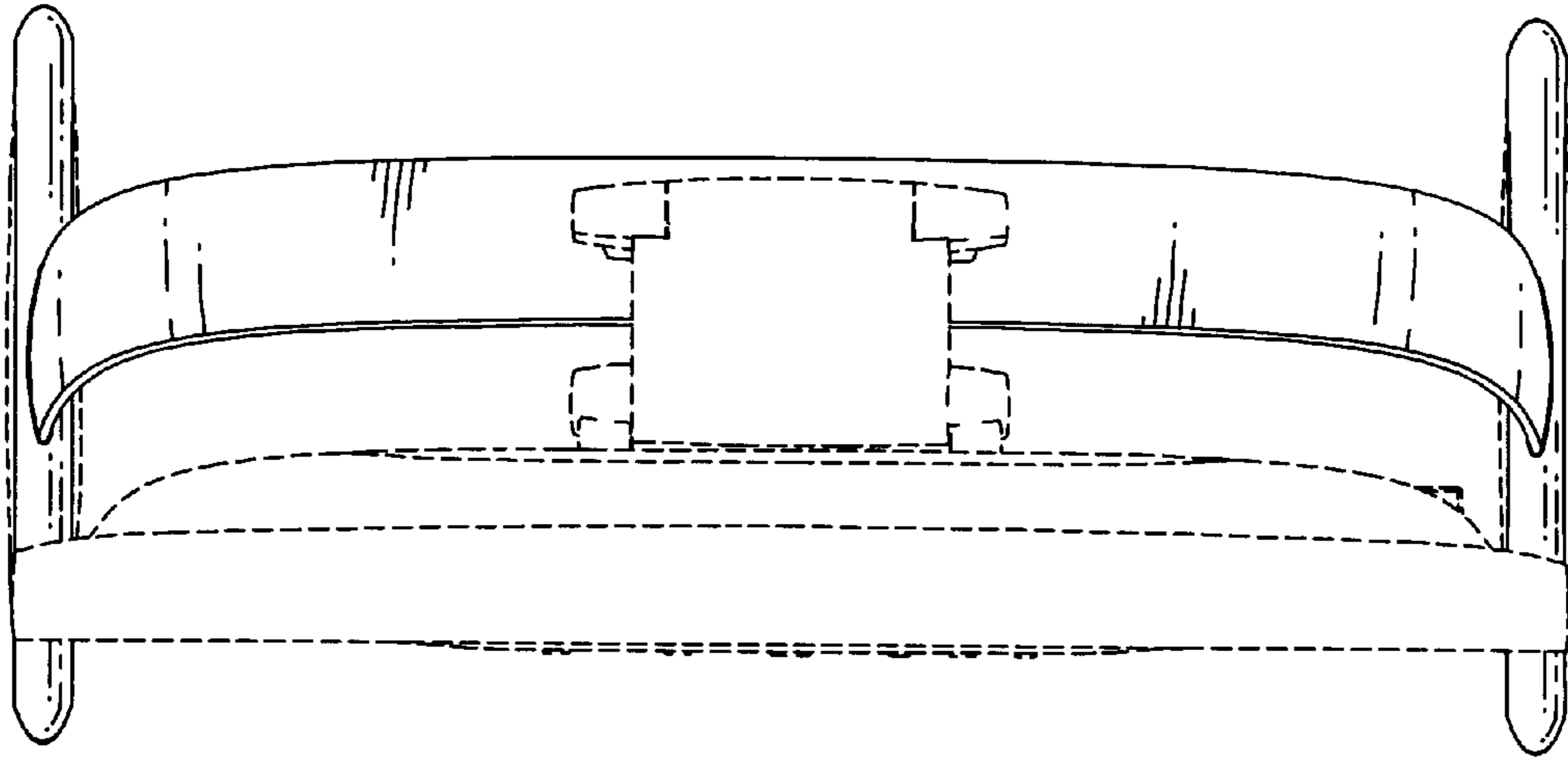


FIG. 5

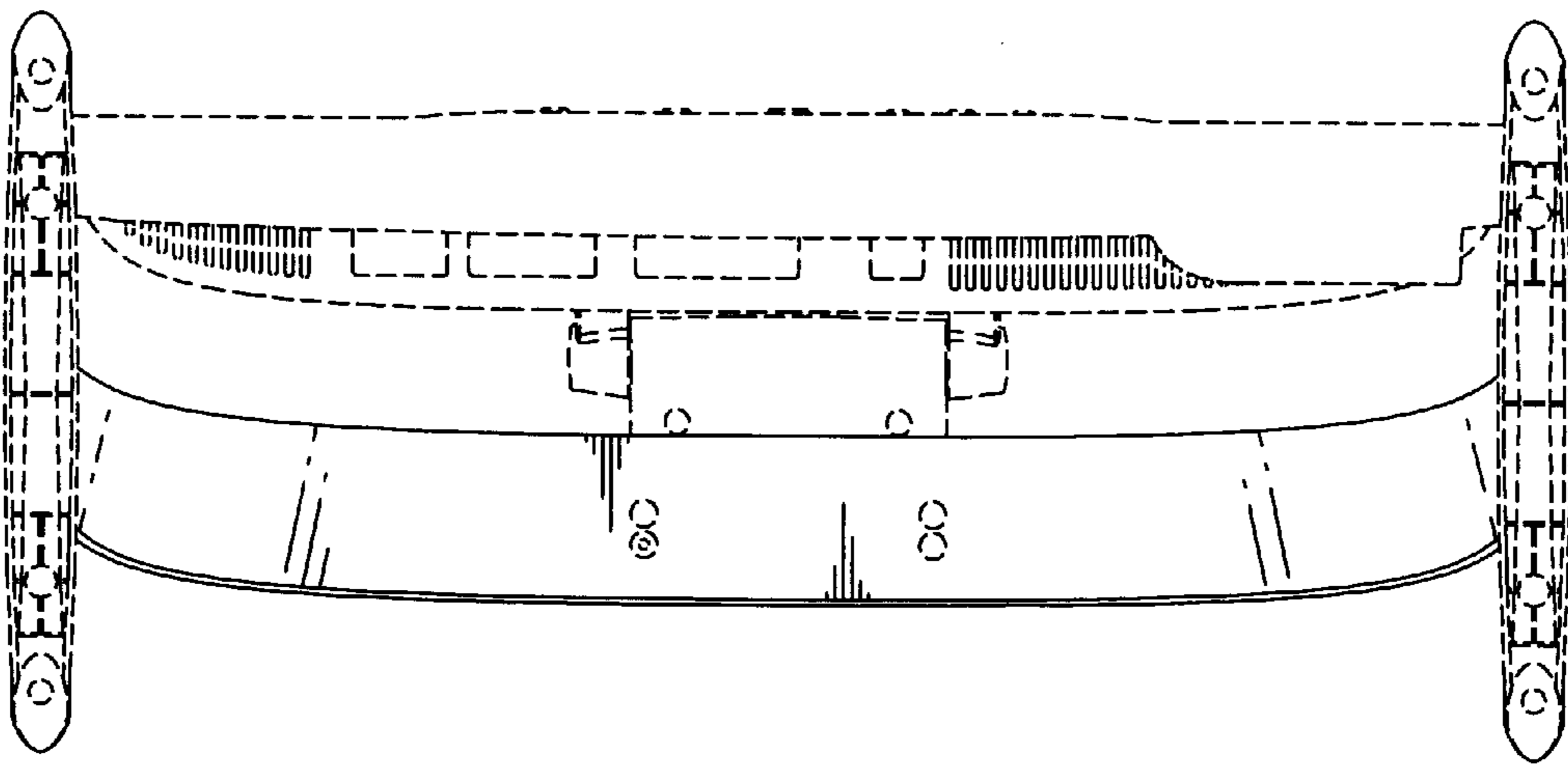


FIG. 6

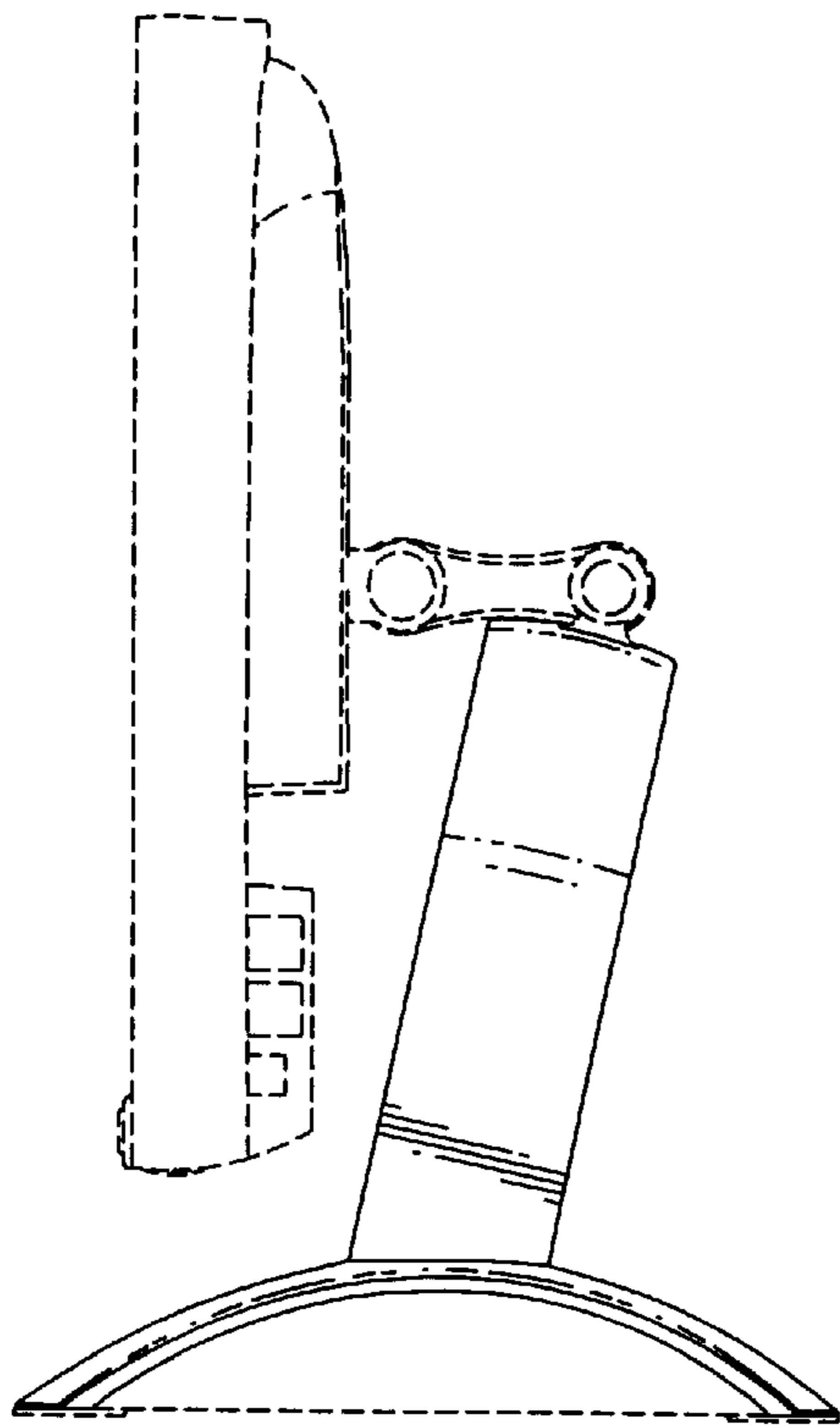


FIG. 7

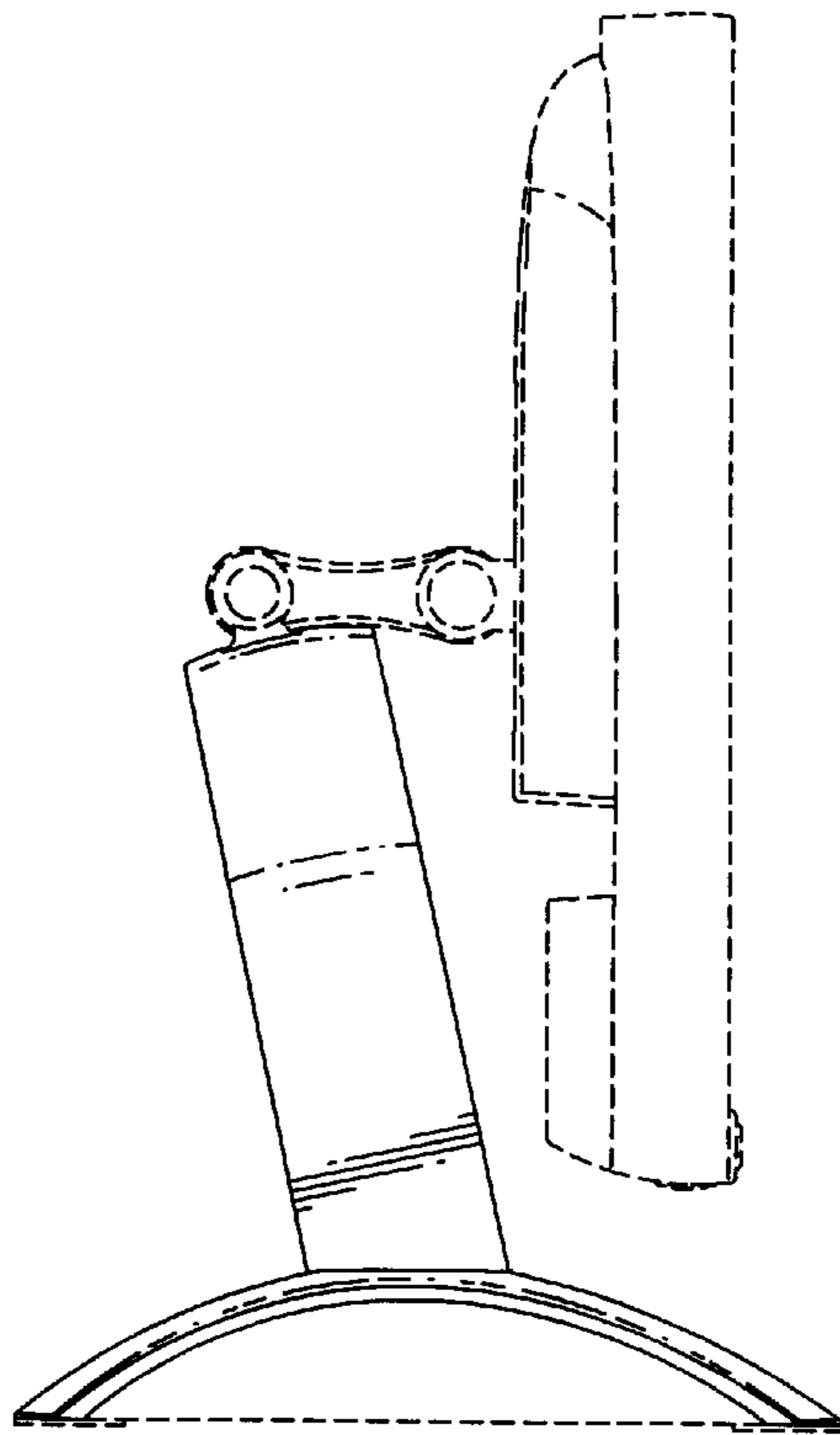


FIG. 8



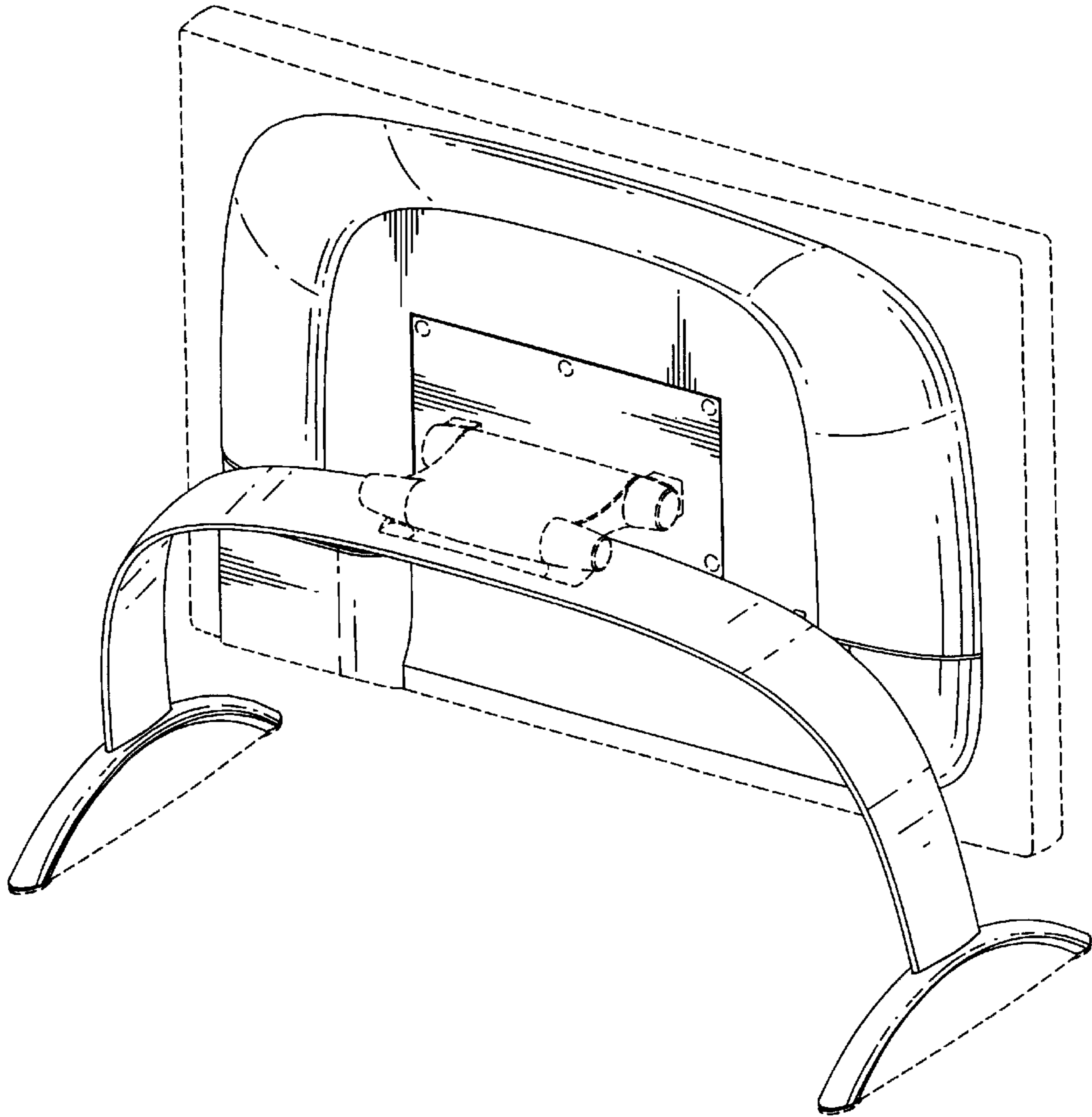


FIG. 9

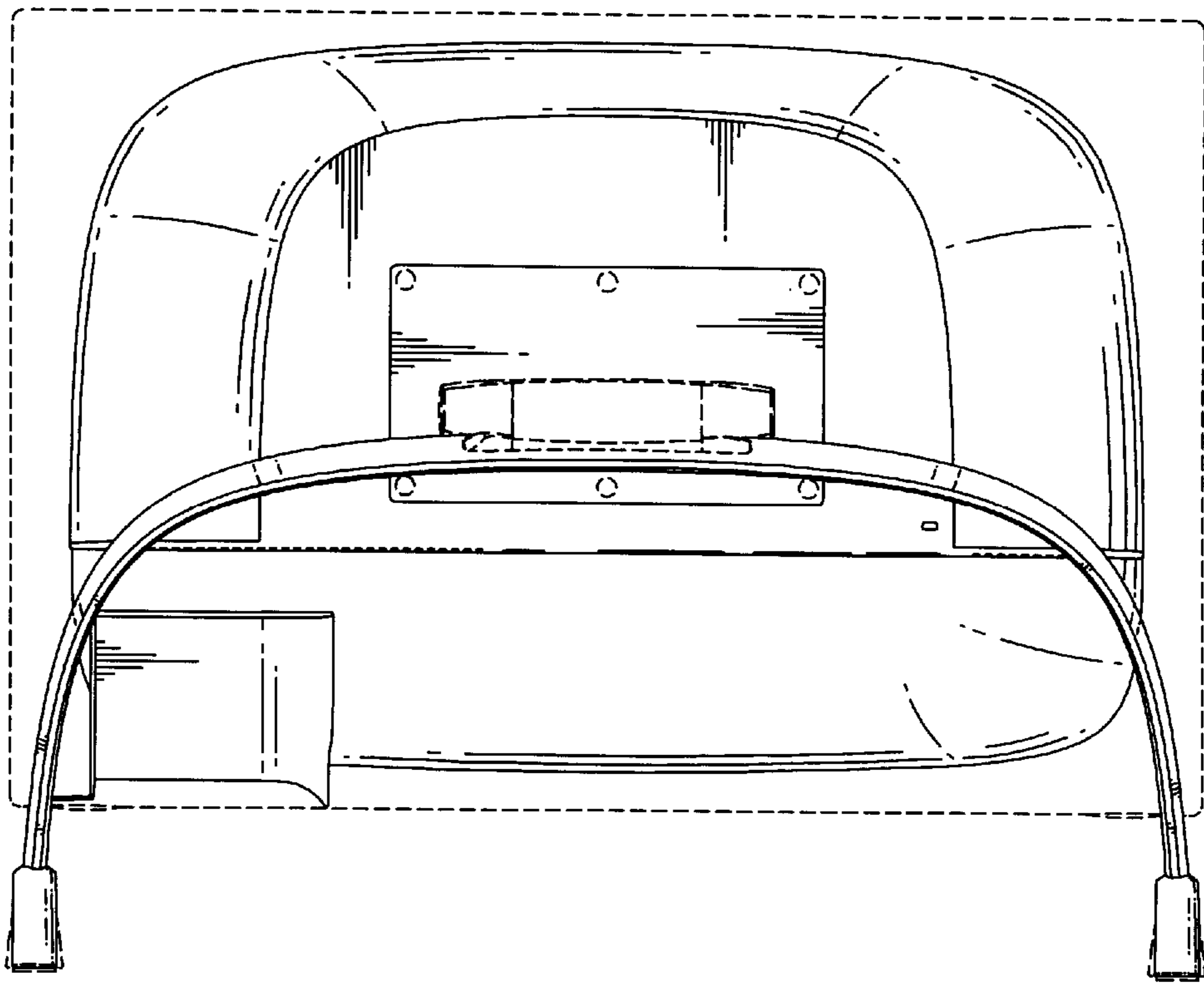


FIG. 10



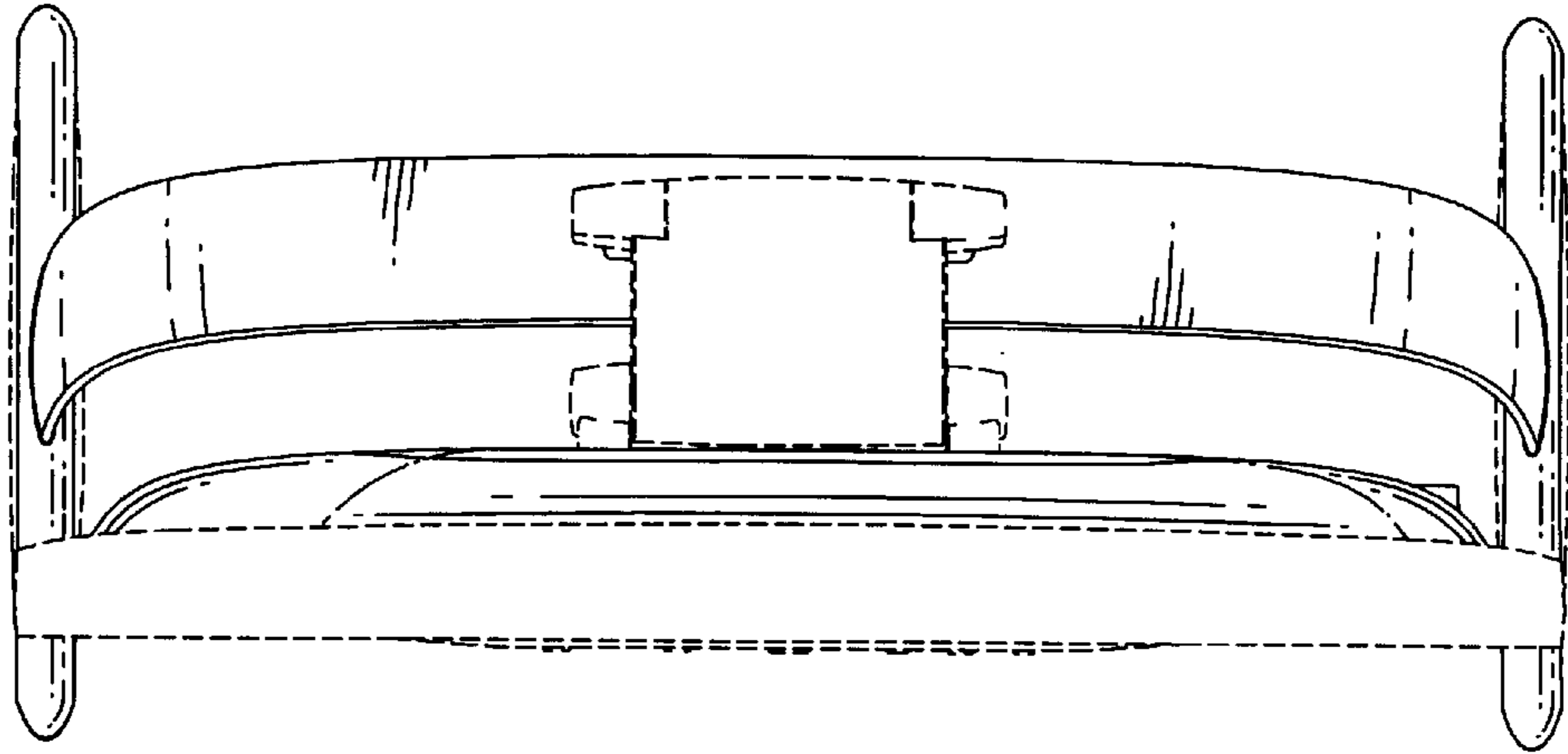


FIG. 11

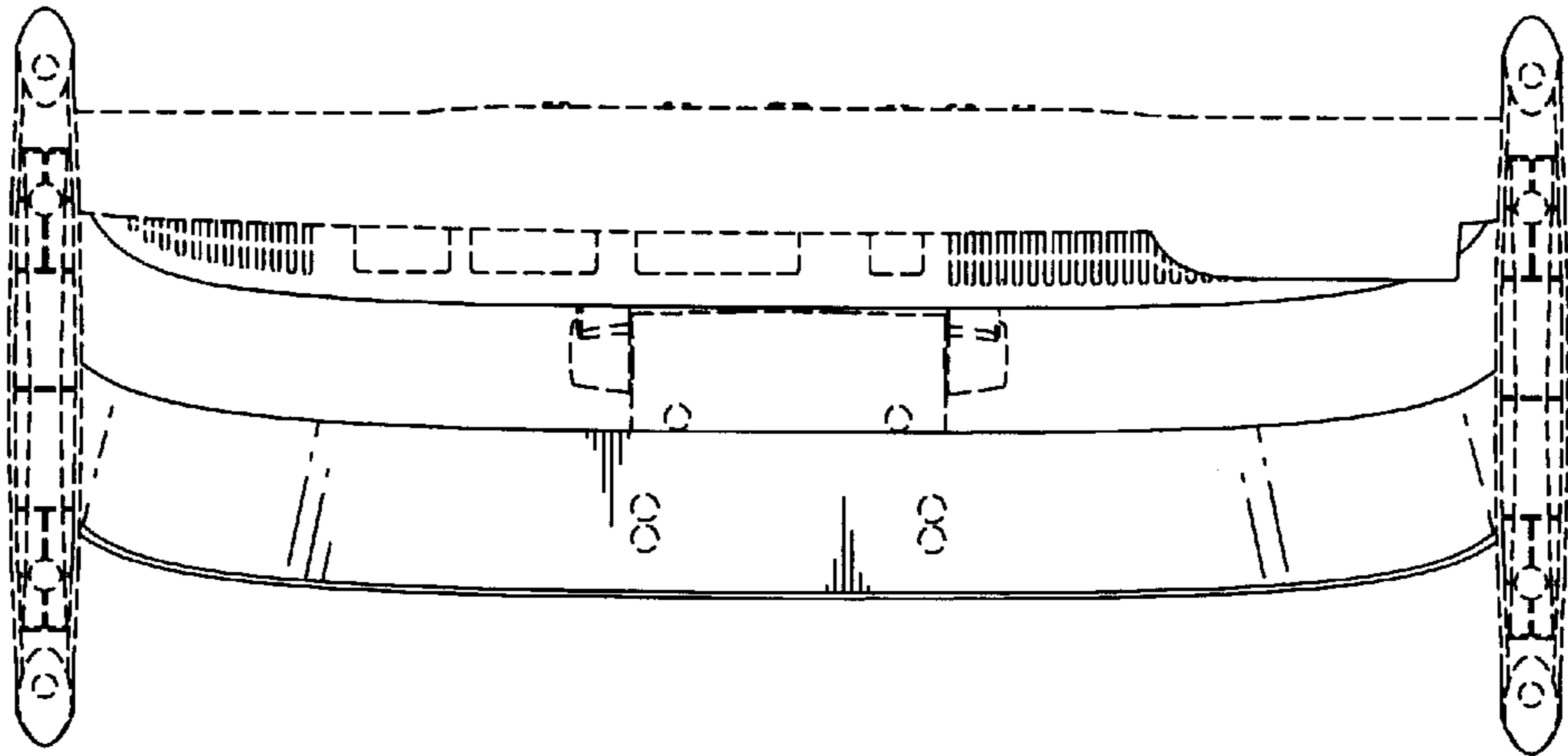


FIG. 12

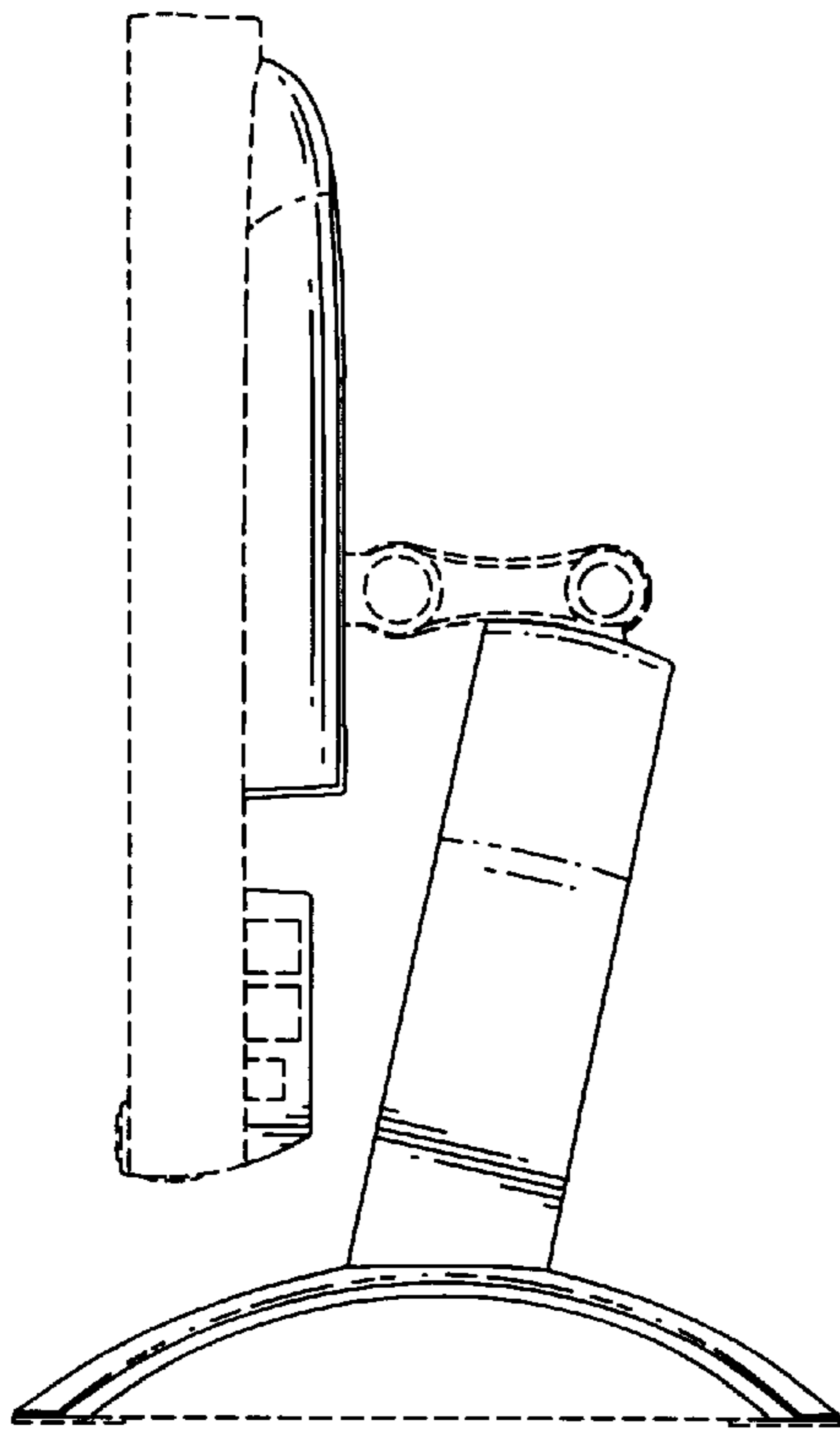


FIG. 13

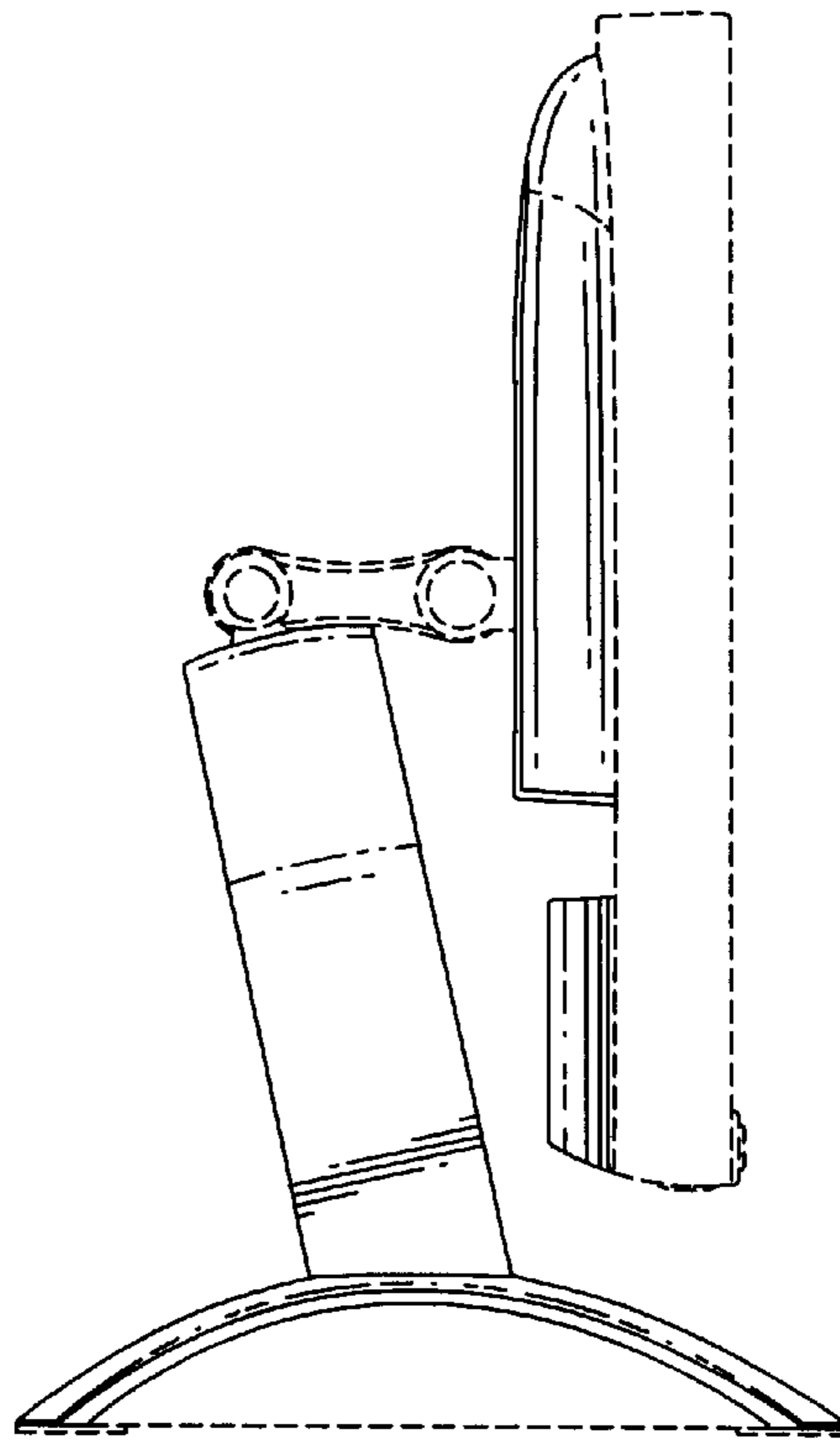


FIG. 14

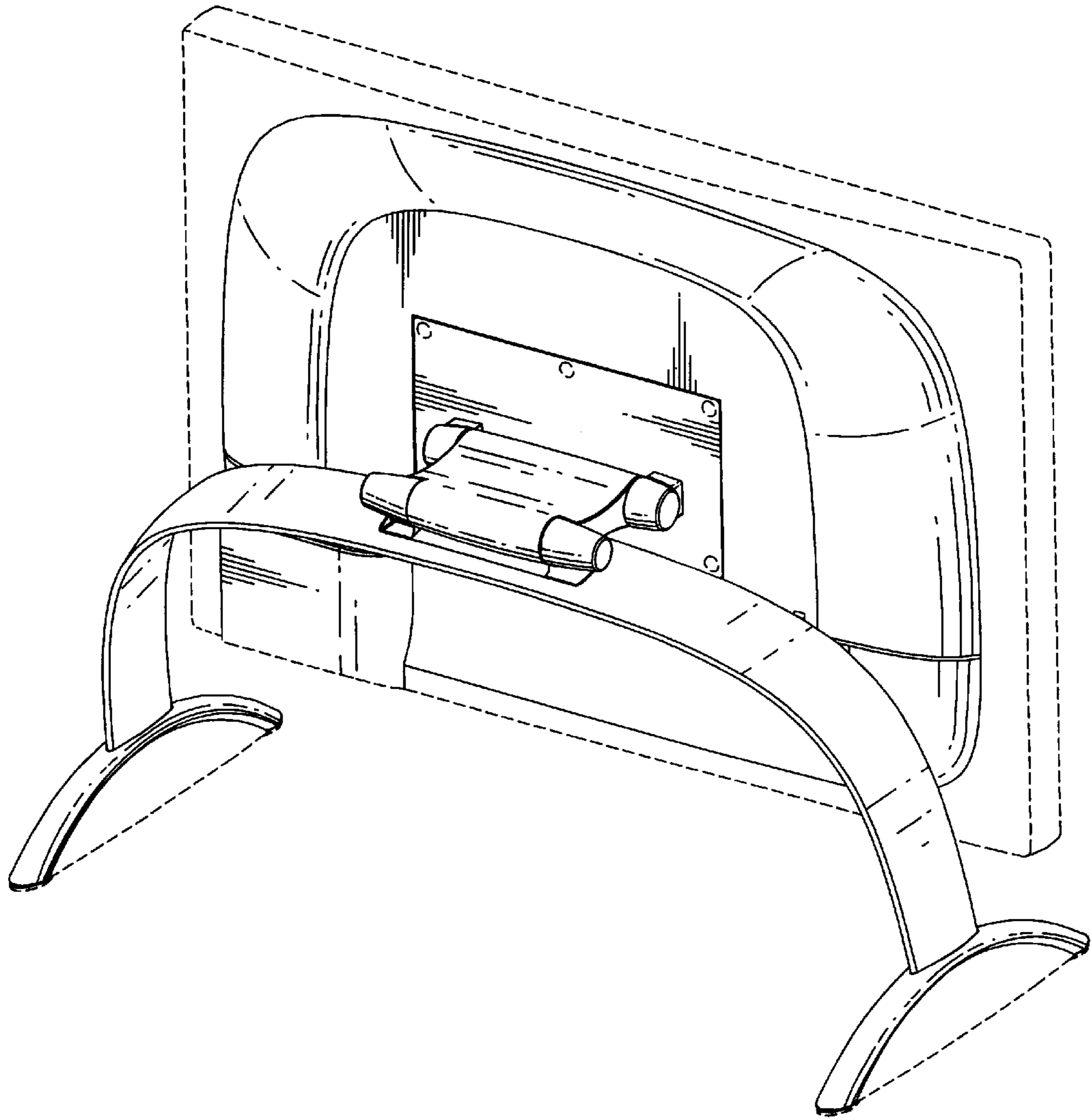


FIG. 15

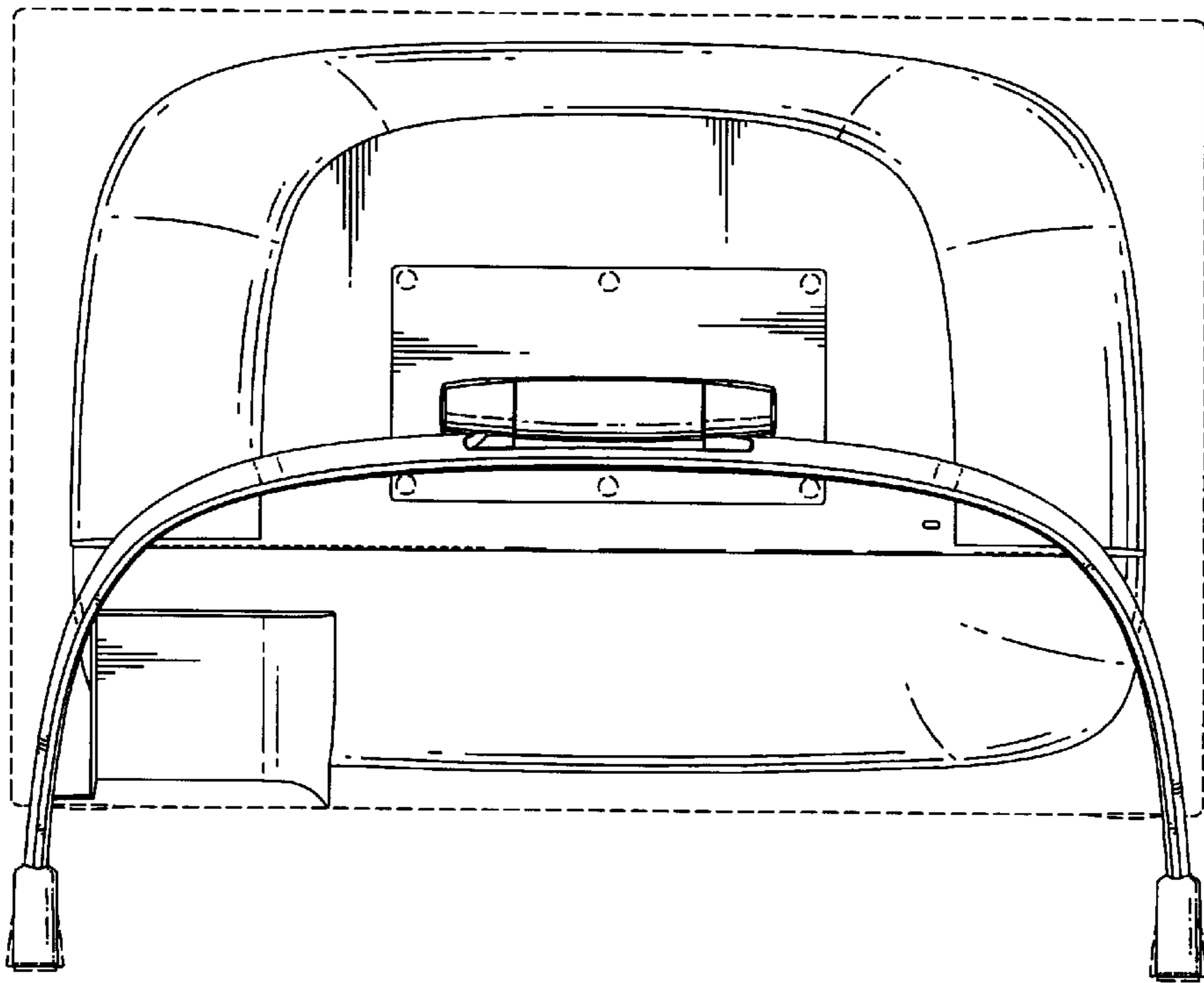


FIG. 16

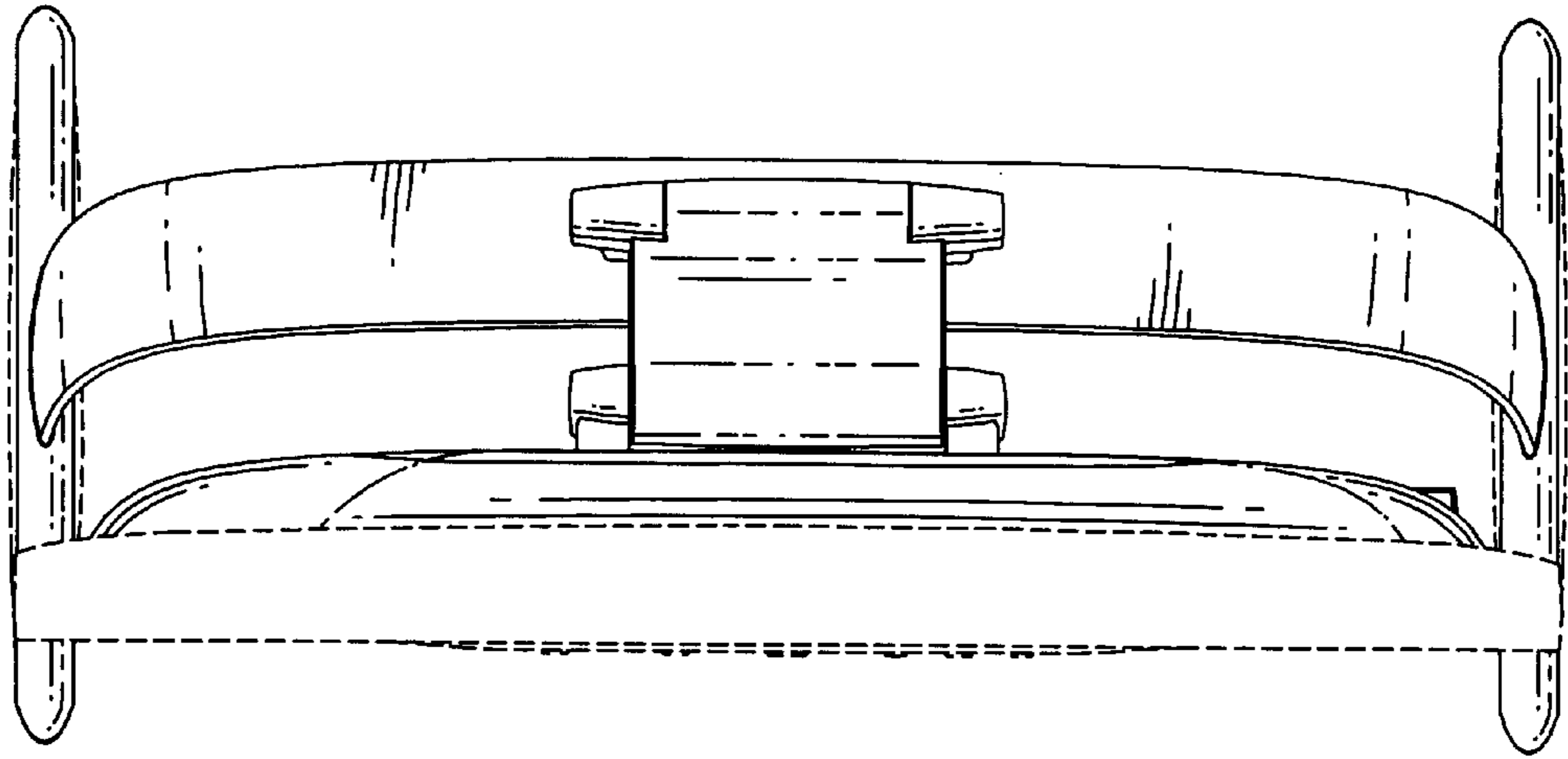


FIG. 17

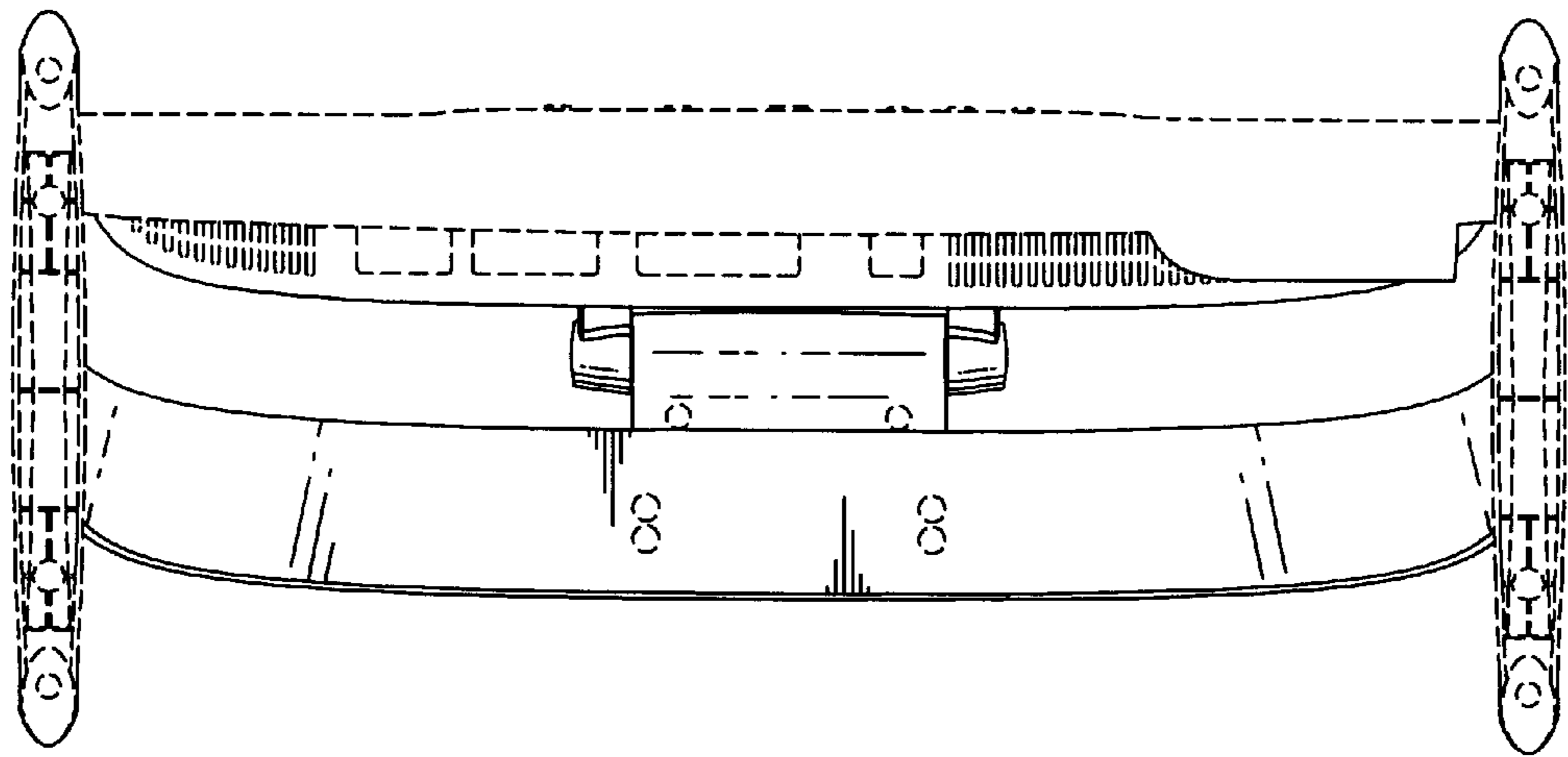


FIG. 18

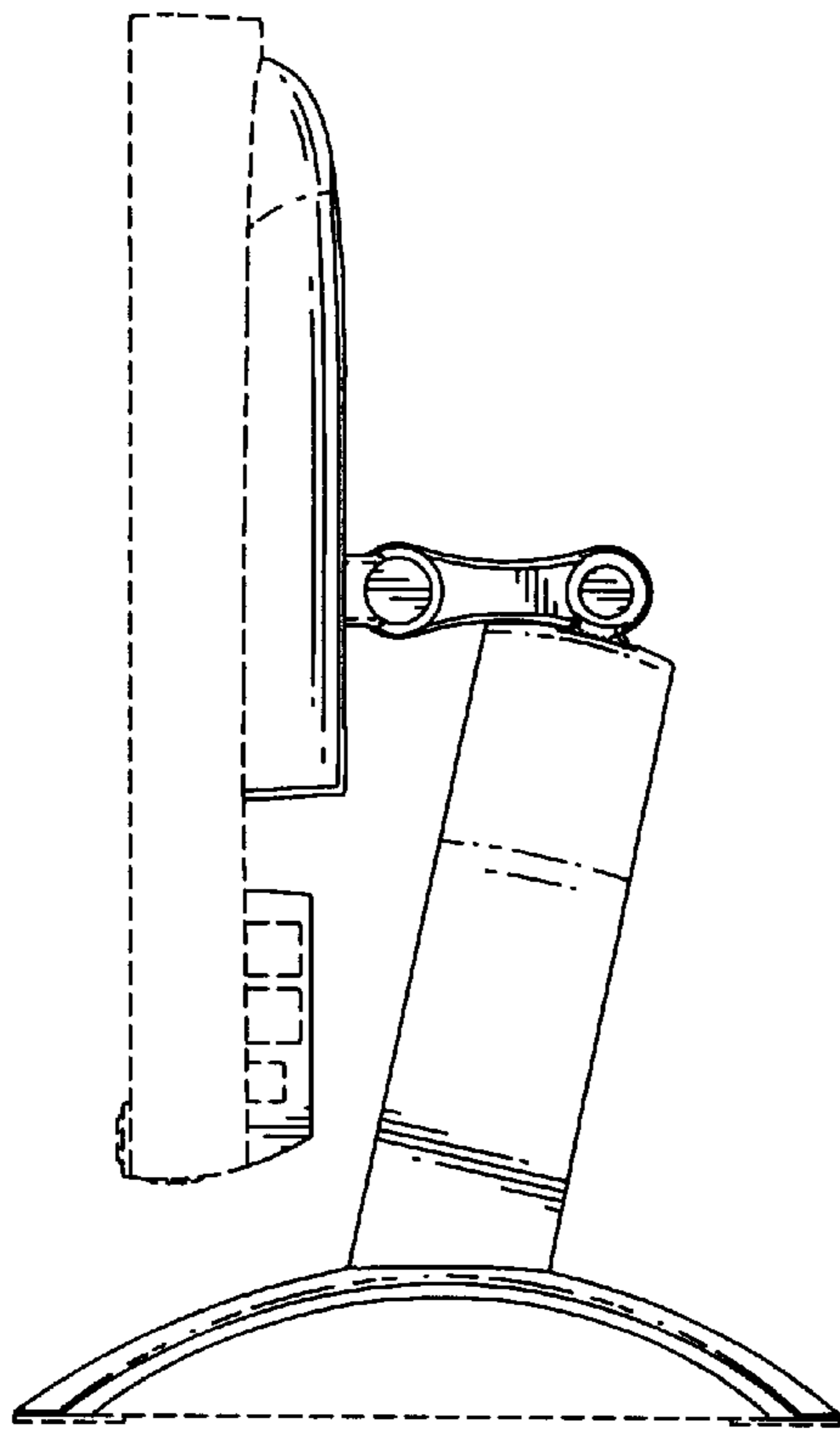


FIG. 19

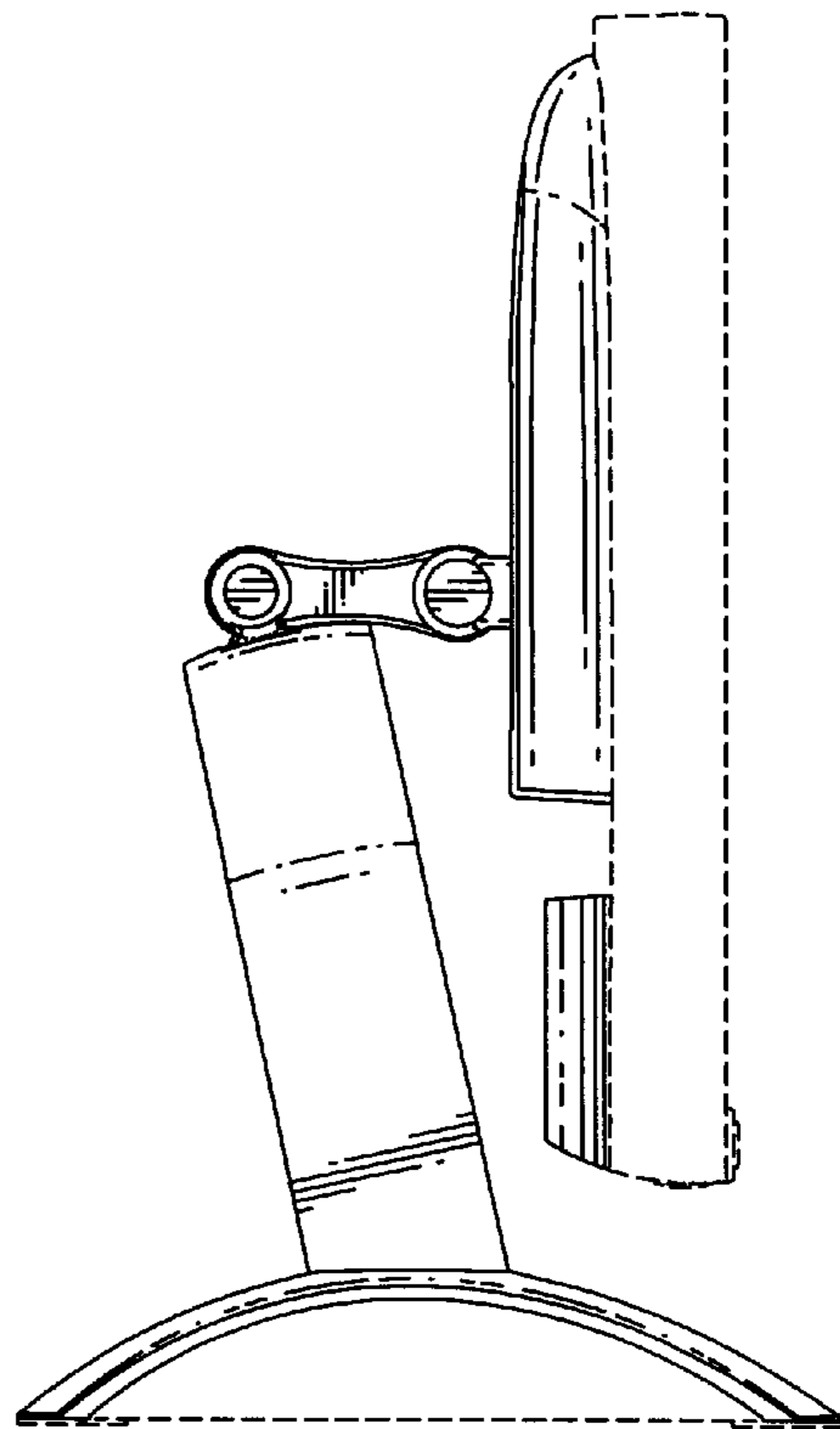


FIG. 20