



US00D486830S

(12) **United States Design Patent**  
**Kadonaga**

(10) **Patent No.:** **US D486,830 S**

(45) **Date of Patent:** **\*\* Feb. 17, 2004**

(54) **CARTRIDGE**

(75) Inventor: **Akira Kadonaga**, Tokyo (JP)

(73) Assignee: **Sony Corporation**, Tokyo (JP)

(\*\*) Term: **14 Years**

(21) Appl. No.: **29/181,460**

(22) Filed: **May 13, 2003**

(51) **LOC (7) Cl.** ..... **14-02**

(52) **U.S. Cl.** ..... **D14/435; D13/182**

(58) **Field of Search** ..... D14/432, 435,  
D14/436, 433, 474, 483; D13/182; 174/16.3,  
52.1, 52.2, 52.4; 361/684, 737, 736, 742,  
752; 235/492; 439/638, 633, 328, 677

(56) **References Cited**

**U.S. PATENT DOCUMENTS**

D410,908 S	6/1999	Oba	
D421,597 S	3/2000	Oba et al.	
D421,967 S	3/2000	Oba et al.	
D435,256 S	12/2000	Hibino	
D457,887 S	* 5/2002	Kadonaga	..... D14/436
D458,610 S	6/2002	Kadonaga	

**OTHER PUBLICATIONS**

Web page "Sony eCatalog," [http://www.ecat.sony.co.jp/mediabattery/memorystick/acc/index.cfm?PD=10208&K . . .](http://www.ecat.sony.co.jp/mediabattery/memorystick/acc/index.cfm?PD=10208&K...), 1 sheet, Sony Marketing (Jan. 2003).

Web page "MSAC-PC3," <http://support.d-imaging.sony.co.jp/contents/msac-pc3/>, 1 sheet, Sony Marketing (Jan. 2003).

\* cited by examiner

*Primary Examiner*—Kay H. Chin

(74) *Attorney, Agent, or Firm*—Rader, Fishman & Grauer PLLC

(57) **CLAIM**

The ornamental design for a cartridge, as shown.

**DESCRIPTION**

FIG. 1 is a front left bottom perspective view of a cartridge showing my new design;

FIG. 2 is a rear right bottom perspective view thereof;

FIG. 3 is a front elevational view thereof;

FIG. 4 is a rear elevational view thereof;

FIG. 5 is a left side elevational view thereof;

FIG. 6 is a right side elevational view thereof;

FIG. 7 is a top plan view thereof; and,

FIG. 8 is a bottom plan view thereof.

**1 Claim, 4 Drawing Sheets**

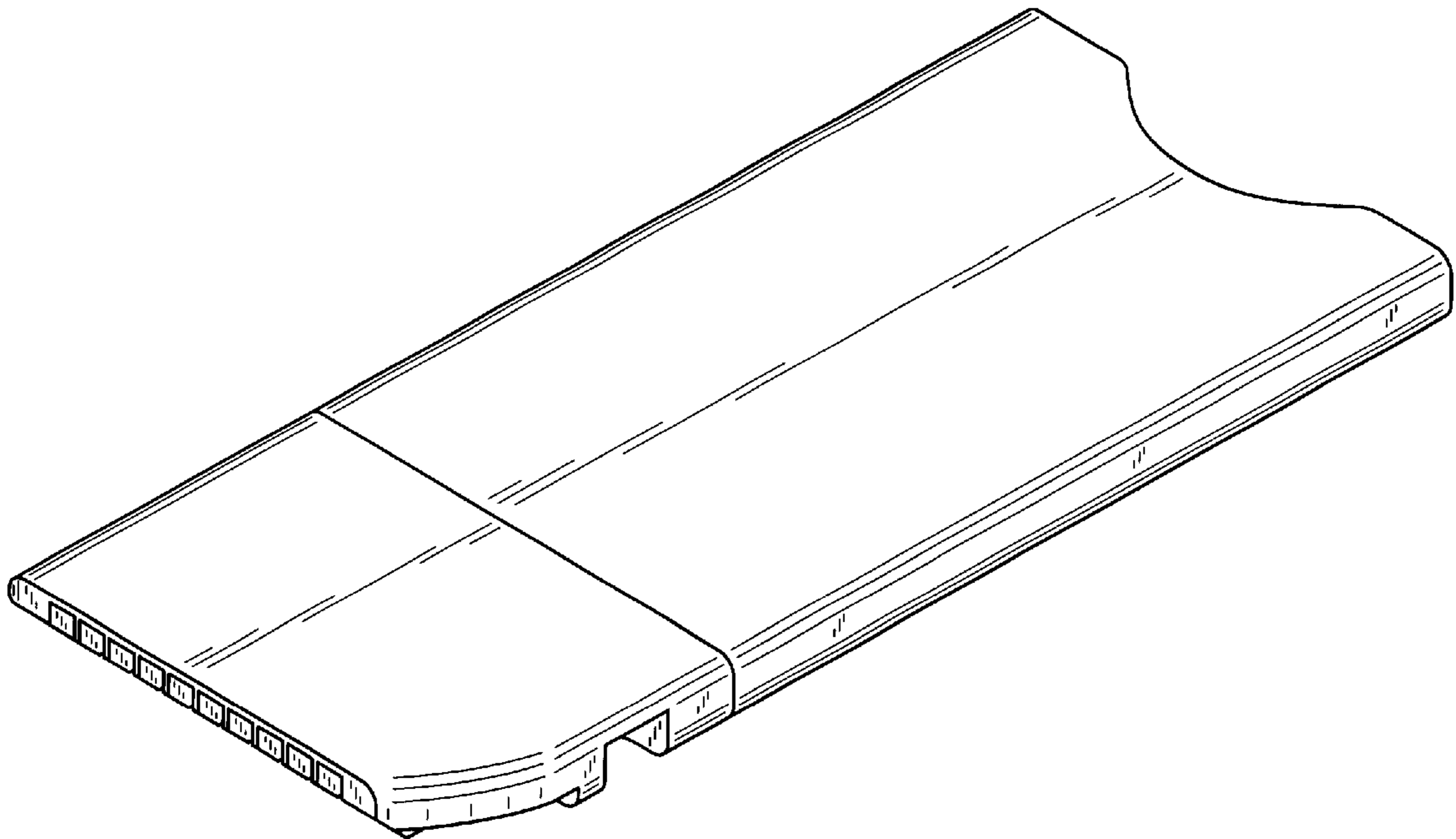


Fig. 1

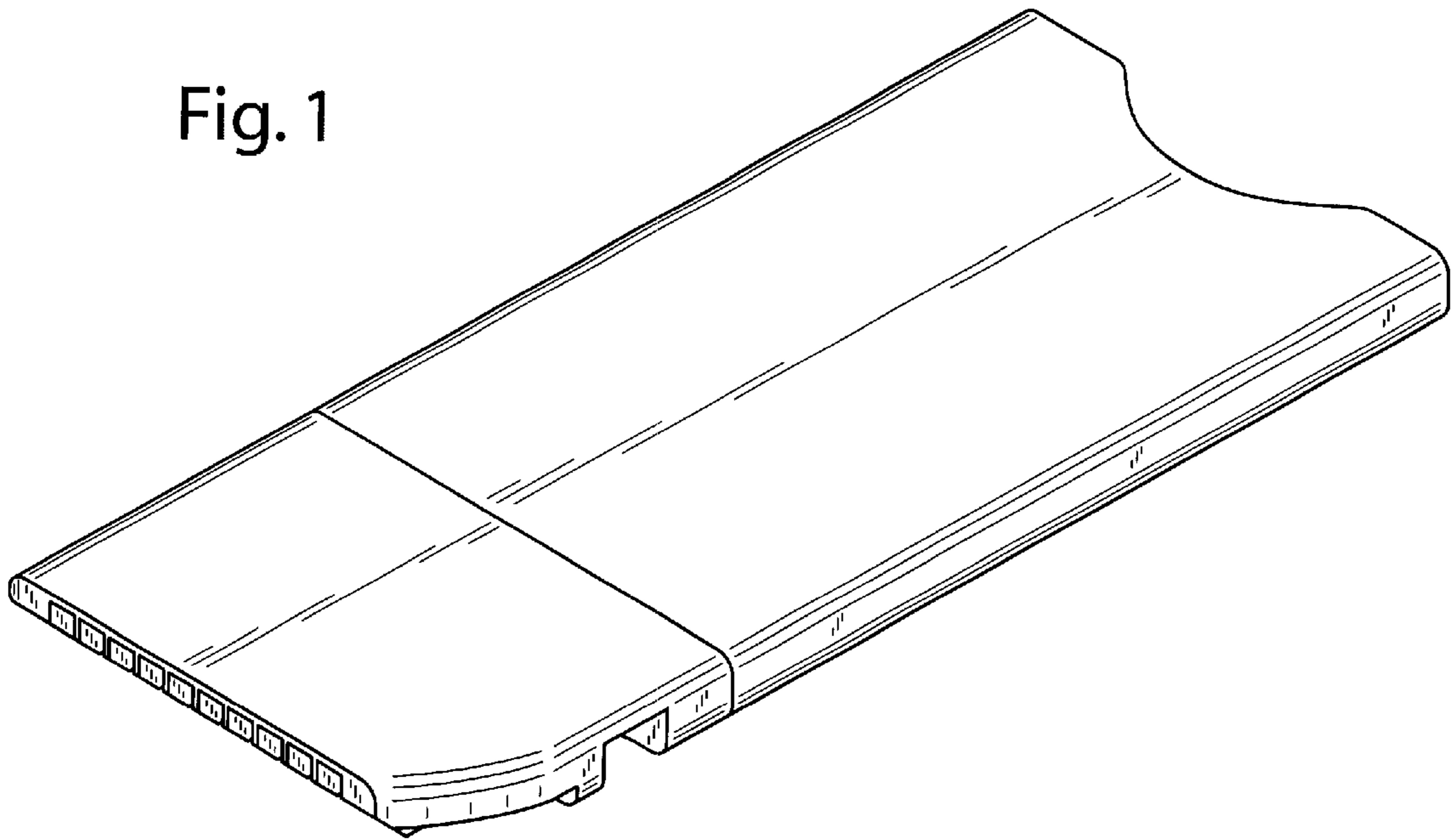
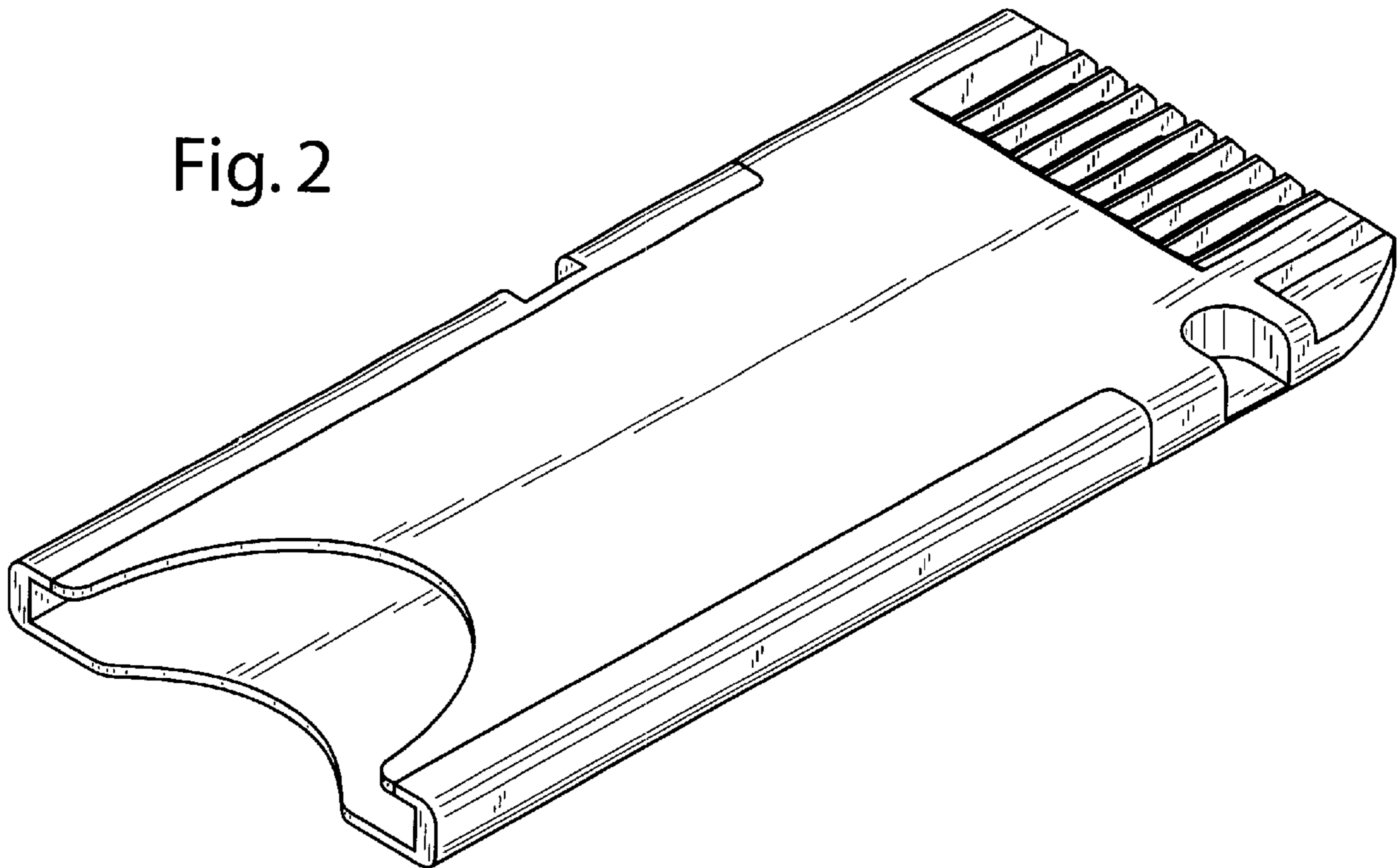


Fig. 2



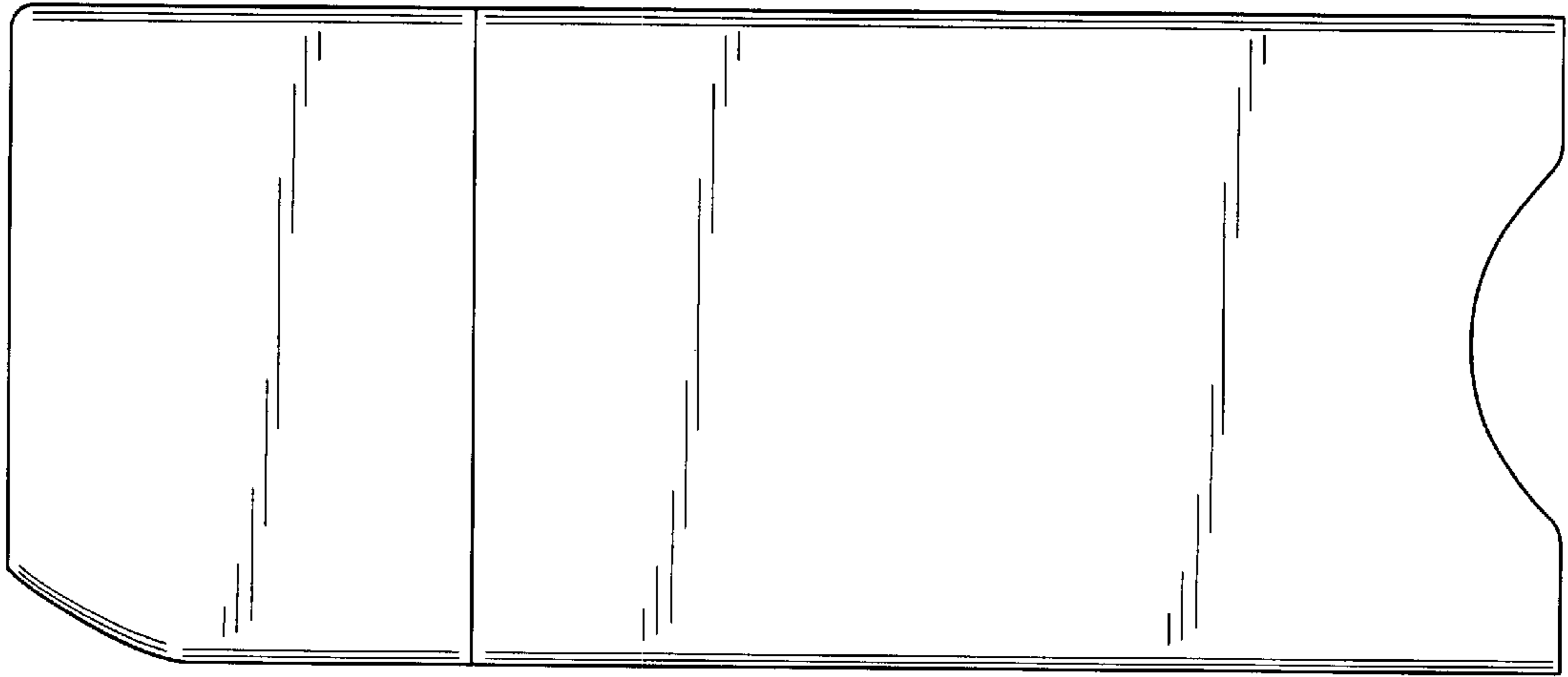


Fig. 3

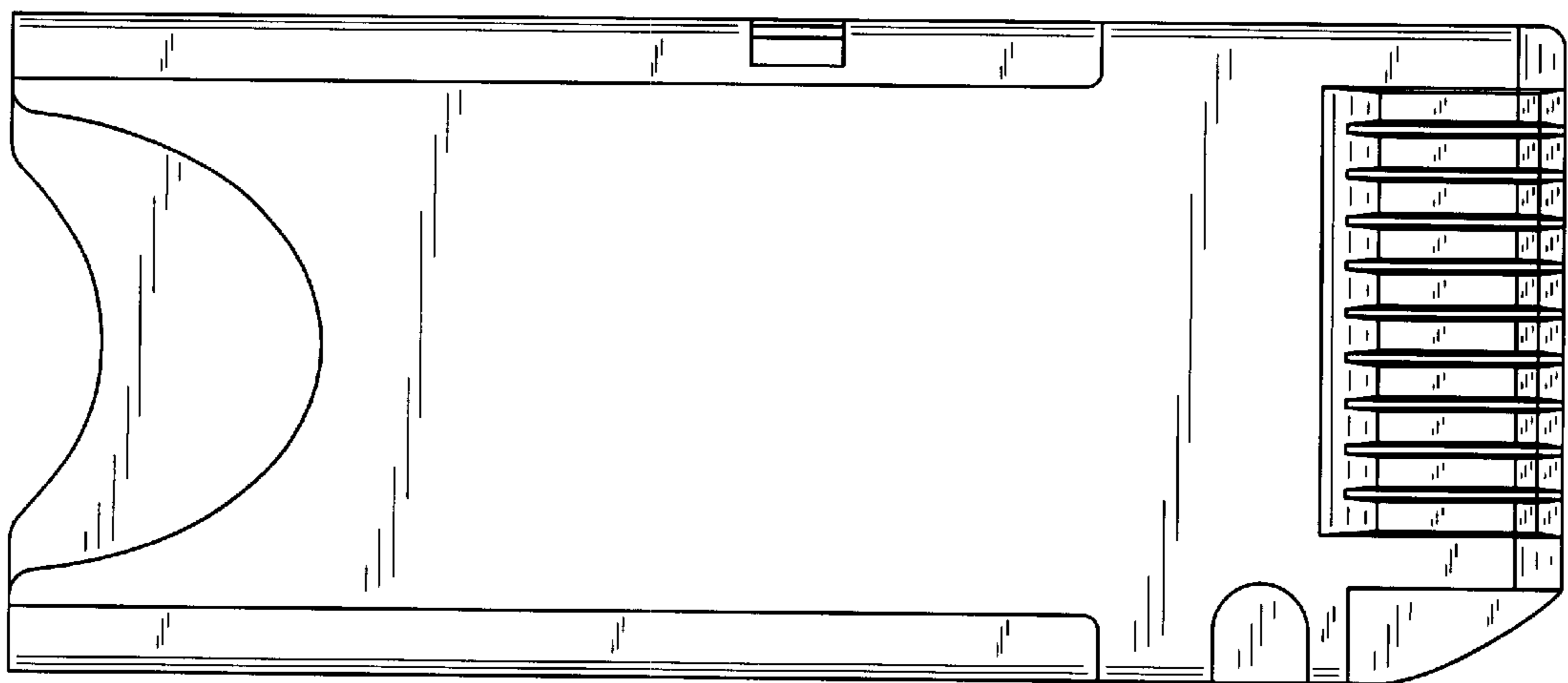
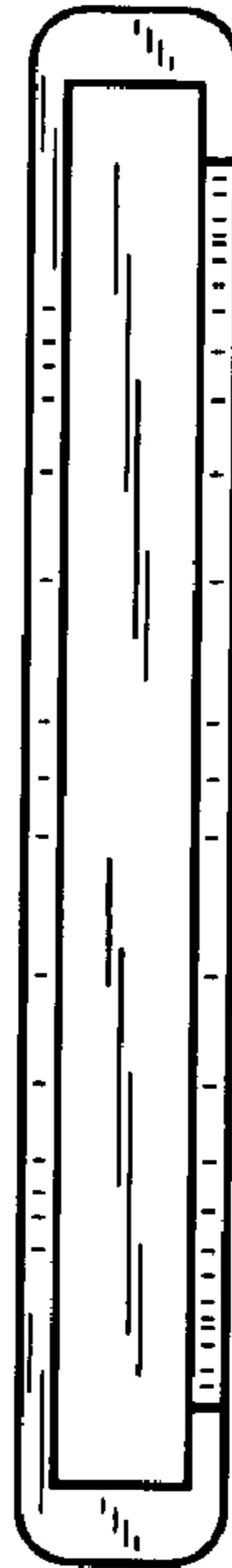


Fig. 4

Fig. 5



Fig. 6



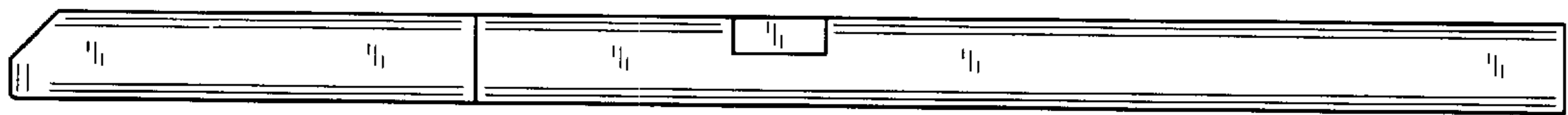


Fig. 7

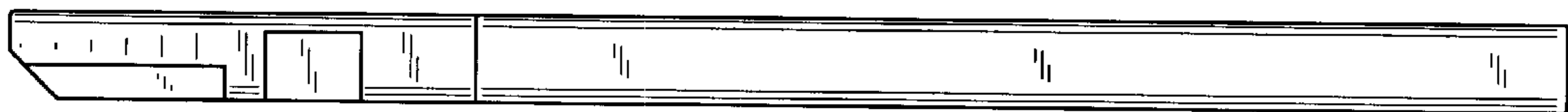


Fig. 8