



US00D486828S

(12) **United States Design Patent**
Dearborn et al.

(10) **Patent No.: US D486,828 S**
(45) **Date of Patent: ** Feb. 17, 2004**

(54) **COMPUTER SYSTEM STATUS DISPLAY**

* cited by examiner

(75) Inventors: **Timothy C. Dearborn**, Austin, TX (US); **Shawn P. Hoss**, Round Rock, TX (US)

Primary Examiner—Freda Nunn
(74) *Attorney, Agent, or Firm*—Baker Botts L.L.P.

(73) Assignee: **Dell Products, L.P.**, Round Rock, TX (US)

(57) **CLAIM**

The ornamental design for a computer system status display, as shown and described.

(**) Term: **14 Years**

DESCRIPTION

(21) Appl. No.: **29/178,600**

This application is related to U.S. utility patent application titled "System and Method for Displaying Computer System Status Information" by Timothy C. Dearborn and Shawn P. Hoss, U.S. Application Ser. No. 09/876,594, which is pending herewith and which is incorporated herein by reference in its entirety for all purposes.

(22) Filed: **Mar. 28, 2003**

Related U.S. Application Data

(62) Division of application No. 29/143,122, filed on Jun. 7, 2001, now Pat. No. Des. 476,009.

FIG. 1 is a front elevational view of a computer system status display wherein the computer system is shown in broken lines for illustrative purposes only and forms no part of the claimed design; and,

(51) **LOC (7) Cl.** **14-02**

(52) **U.S. Cl.** **D14/432**

(58) **Field of Search** D14/441-446,
D14/239, 371, 432; D13/162, 184, 199;
312/223.2; 361/680-686, 690-696; 340/691.1,
815.45

FIG. 2 is a perspective view of the computer system status display wherein the computer system is shown in broken lines for illustrative purposes only and forms no part of the claimed design.

(56) **References Cited**

U.S. PATENT DOCUMENTS

D360,411	S	*	7/1995	Sharp et al.	D14/445
5,519,832	A		5/1996	Warchol	395/183.22
5,880,955	A		3/1999	Matoba et al.	364/188
D411,178	S		6/1999	Ikenaga	D14/100
D412,497	S		8/1999	Lai	D14/115
5,954,827	A		9/1999	Frank et al.	714/48
D416,009	S		11/1999	Lai	D14/115
5,995,012	A		11/1999	Lee et al.	340/815.45
D431,243	S		9/2000	Oba	D14/351
D432,134	S		10/2000	Leman	D14/441
D435,559	S	*	12/2000	Tanaka	D14/444
D436,952	S		1/2001	Goto	D14/349
D436,953	S		1/2001	Matsuoka	D14/349
D437,325	S	*	2/2001	Searby et al.	D14/445
D440,572	S		4/2001	Jean et al.	D14/445
D476,009	S	*	6/2003	Dearborn et al.	D14/432
2002/0190868	A1	*	12/2002	Dearborn et al.	340/691.1

FIG. 3 is a front elevational view of a second embodiment of a computer system status display wherein the computer system is shown in broken lines for illustrative purposes only and forms no part of the claimed design;

FIG. 4 is a perspective view of the second embodiment of a computer system status display wherein the computer system is shown in broken lines for illustrative purposes only and forms no part of the claimed design;

FIG. 5 is a front elevational view of a third embodiment of a computer system status display wherein the computer system is shown in broken lines for illustrative purposes only and forms no part of the claimed design;

FIG. 6 is a perspective view of the third embodiment of a computer system status display wherein the computer system is shown in broken lines for illustrative purposes only and forms no part of the claimed design;

FIG. 7 is a front elevational view of the fourth embodiment of a computer system status display wherein the computer system is shown in broken lines for illustrative purposes only and forms no part of the claimed design;

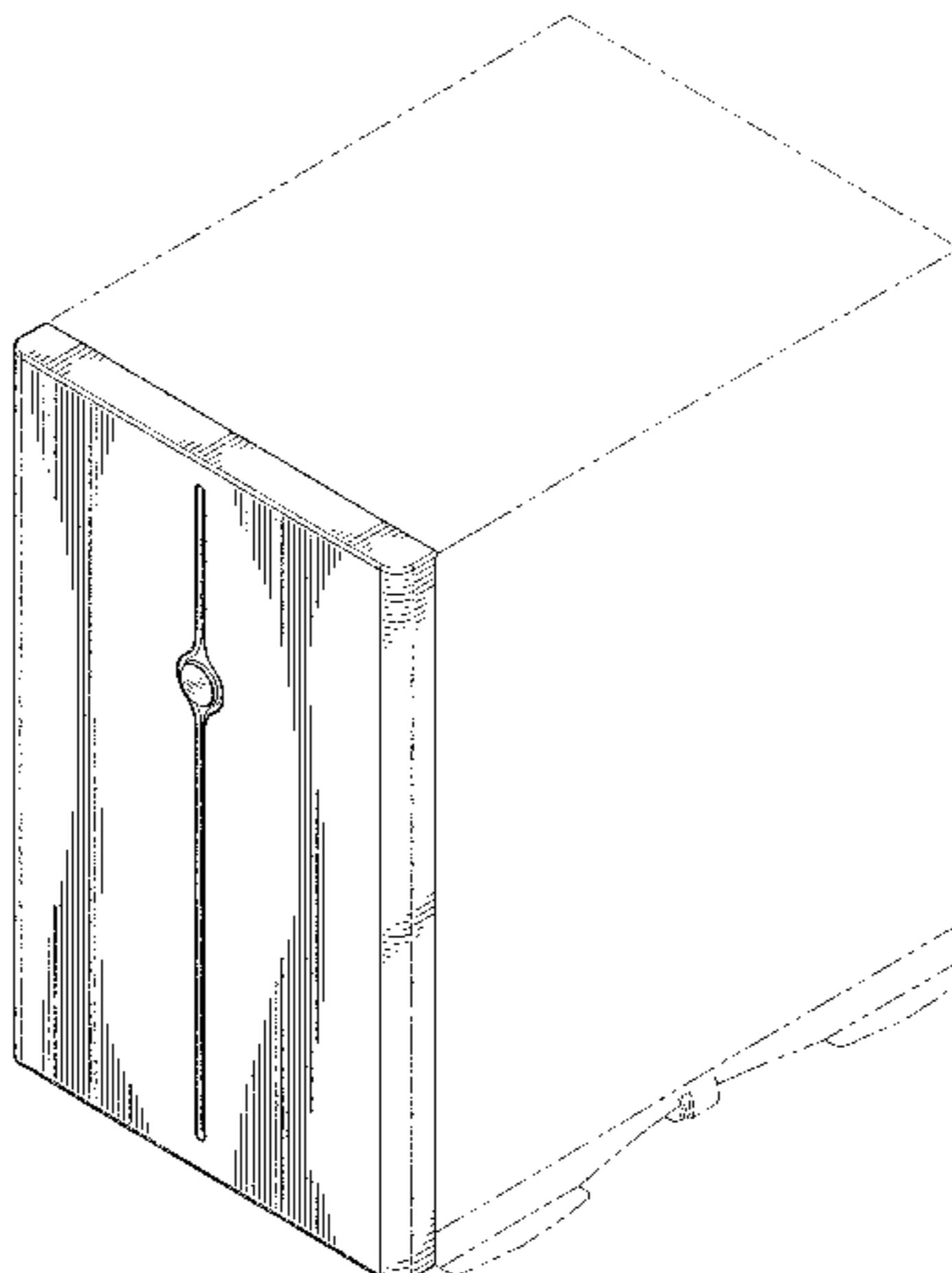


FIG. 8 is a perspective view of the fourth embodiment of a computer system status display wherein the computer system is shown in broken lines for illustrative purposes only and forms no part of the claimed design;

FIG. 9 is a front elevational view of the fifth embodiment of a computer system status display wherein the computer system is shown in broken lines for illustrative purposes only and forms no part of the claimed design;

FIG. 10 is a perspective view of the fifth embodiment of a computer system status display wherein the computer system is shown in broken lines for illustrative purposes only and forms no part of the claimed design;

FIG. 11 is a front elevational view of the sixth embodiment of a computer system status display wherein the computer system is shown in broken lines for illustrative purposes only and forms no part of the claimed design; and

FIG. 12 is a perspective view of the sixth embodiment of a computer system status display wherein the computer system is shown in broken lines for illustrative purposes only and forms no part of the claimed design.

1 Claim, 12 Drawing Sheets

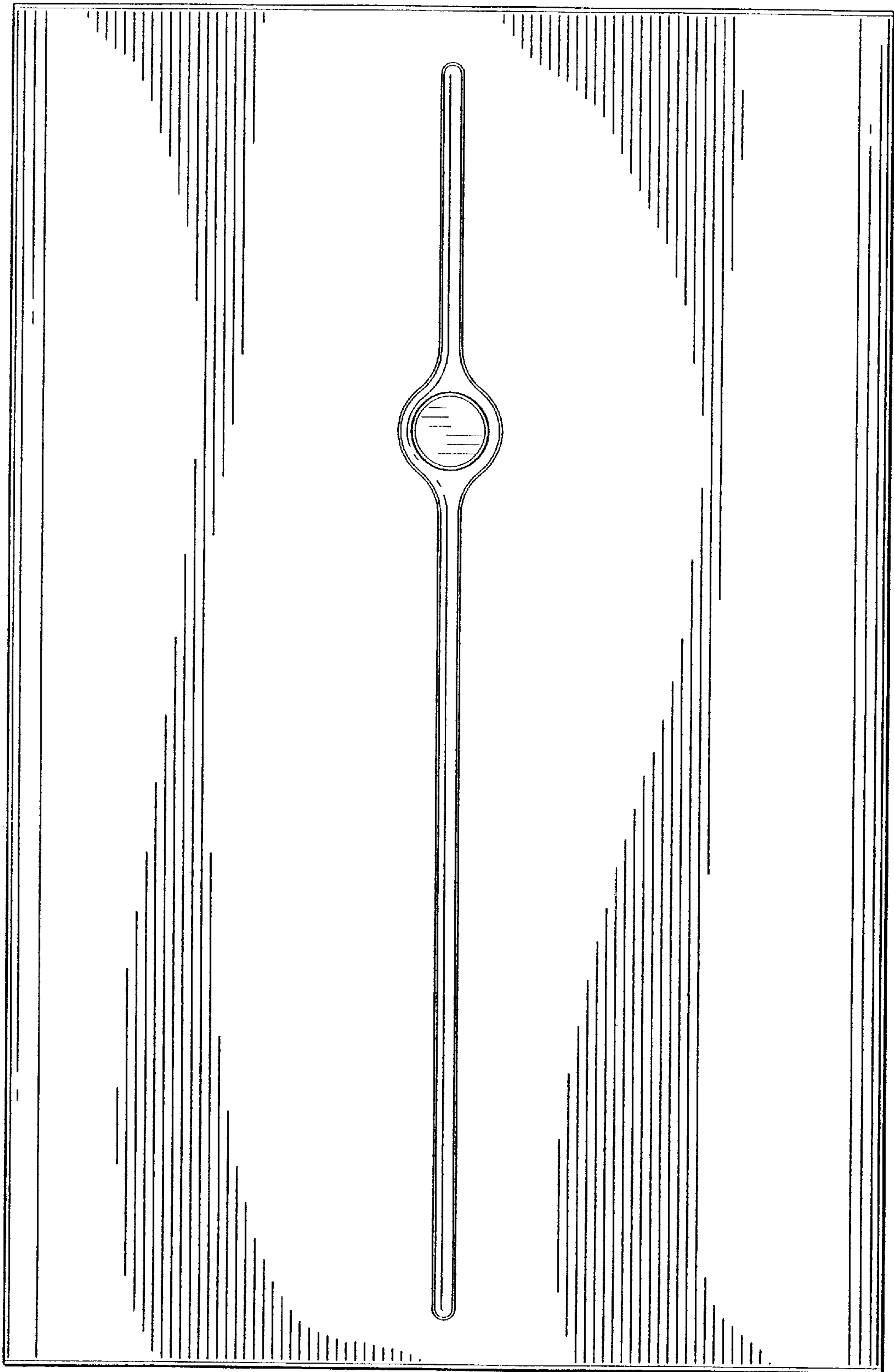


FIG. 1

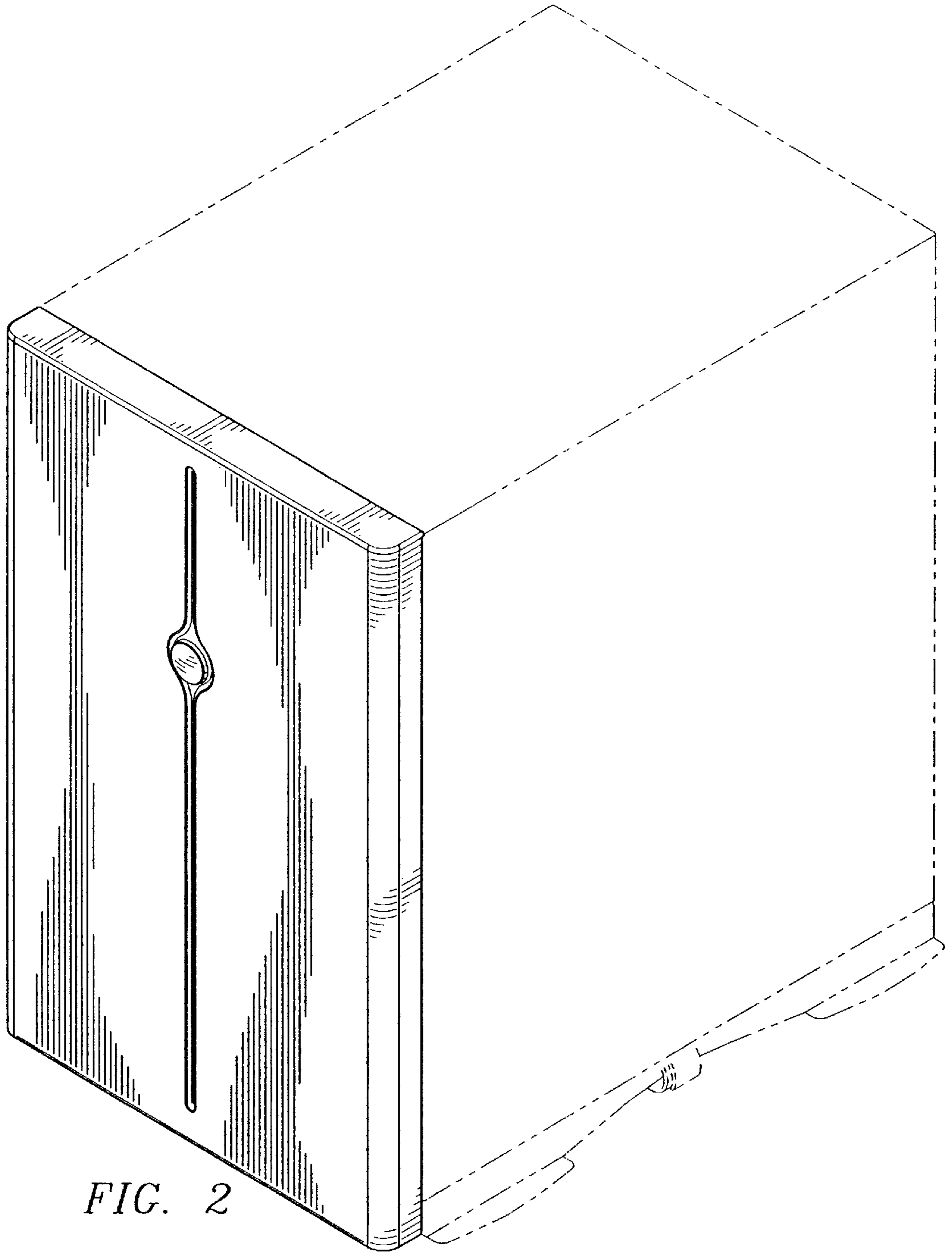


FIG. 2

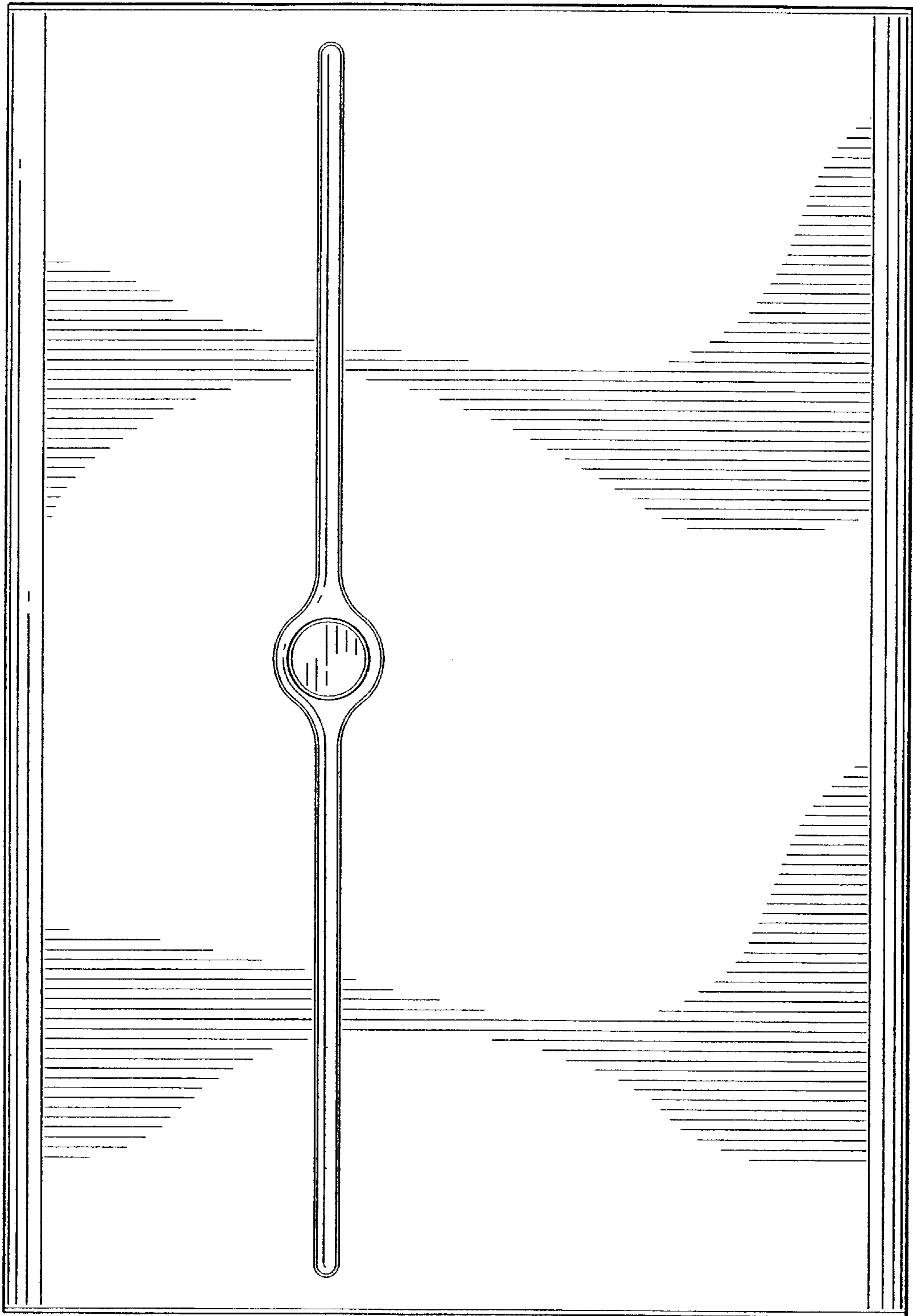


FIG. 3

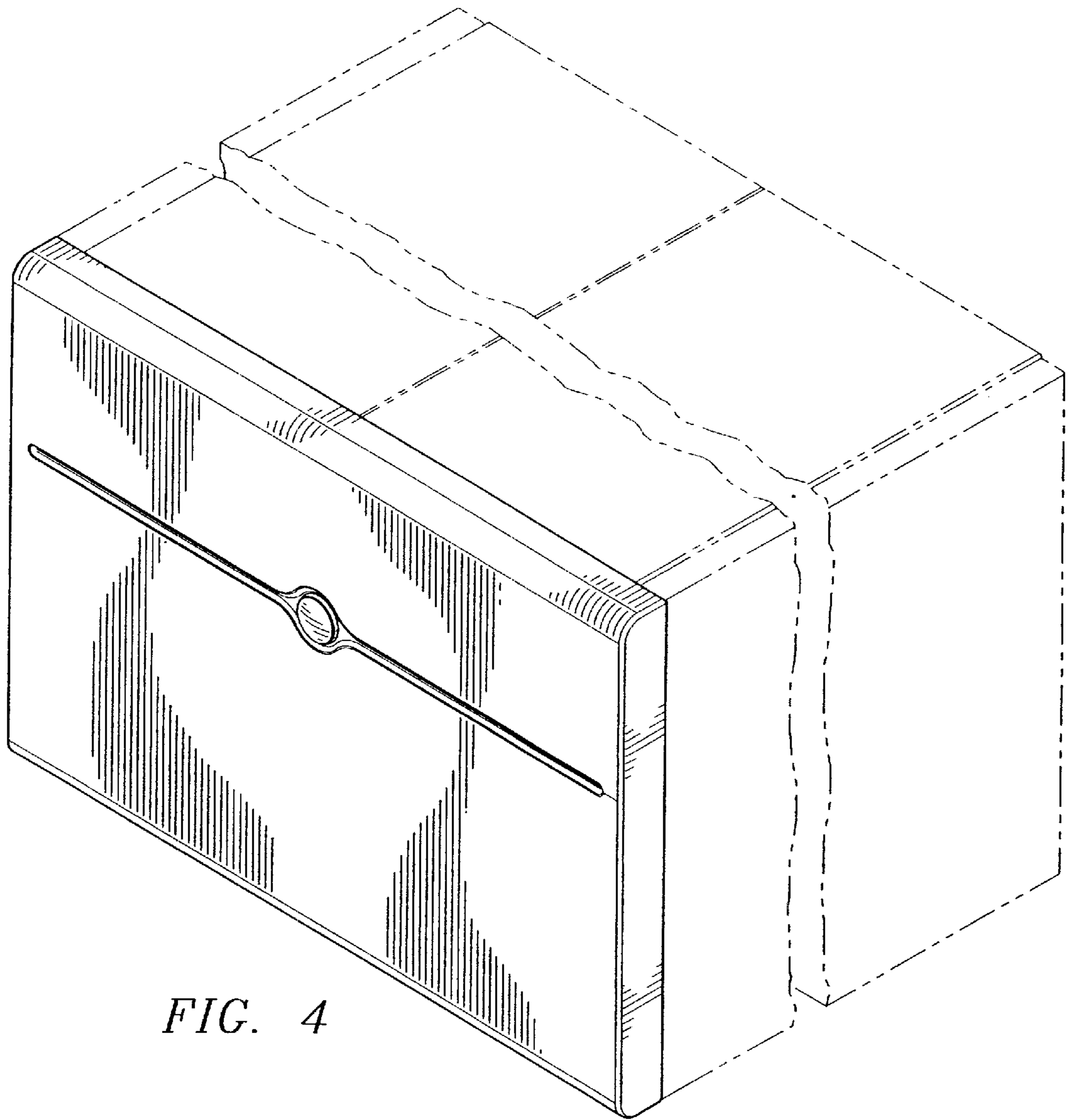


FIG. 4

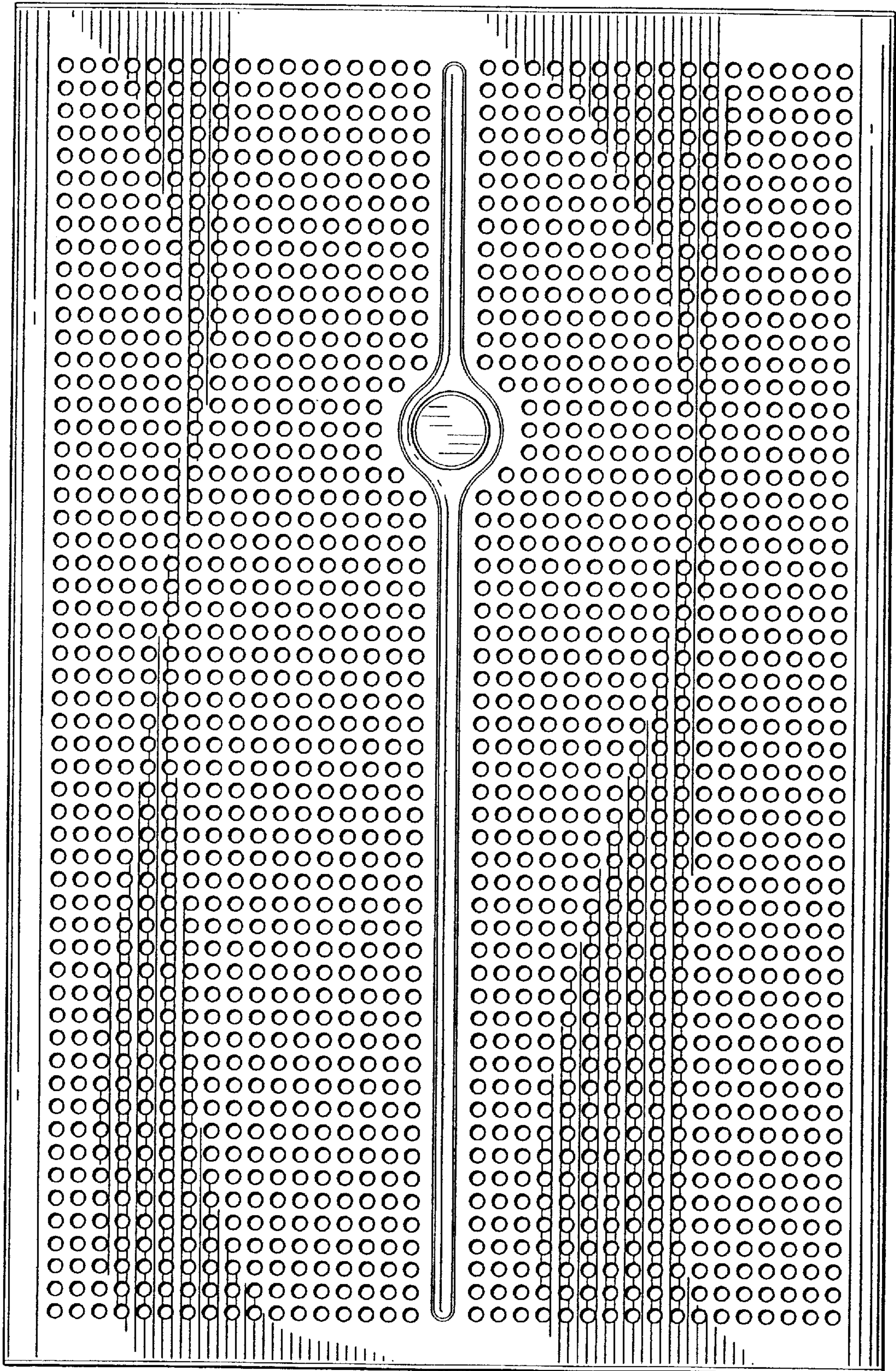


FIG. 5

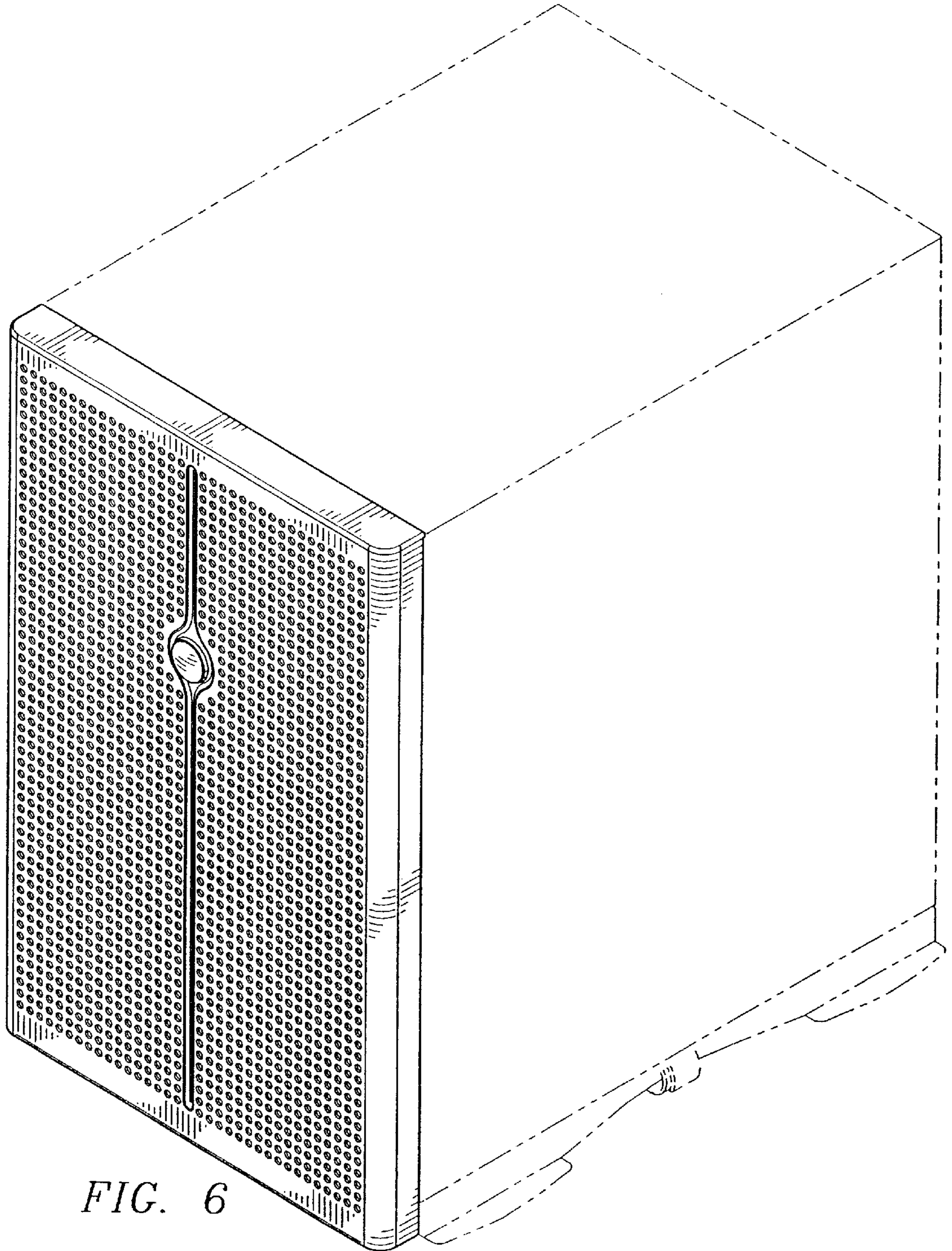


FIG. 6

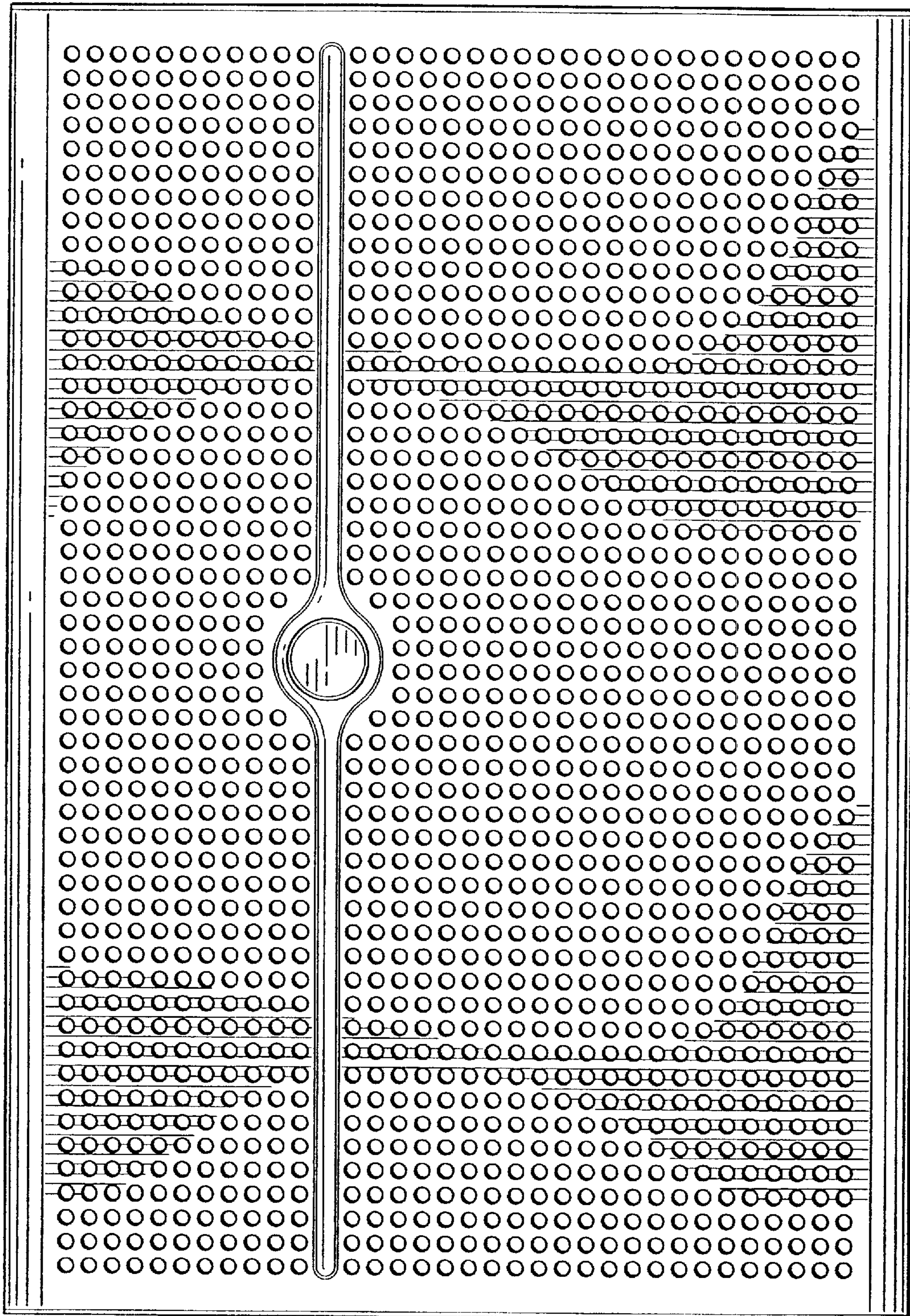


FIG. 7

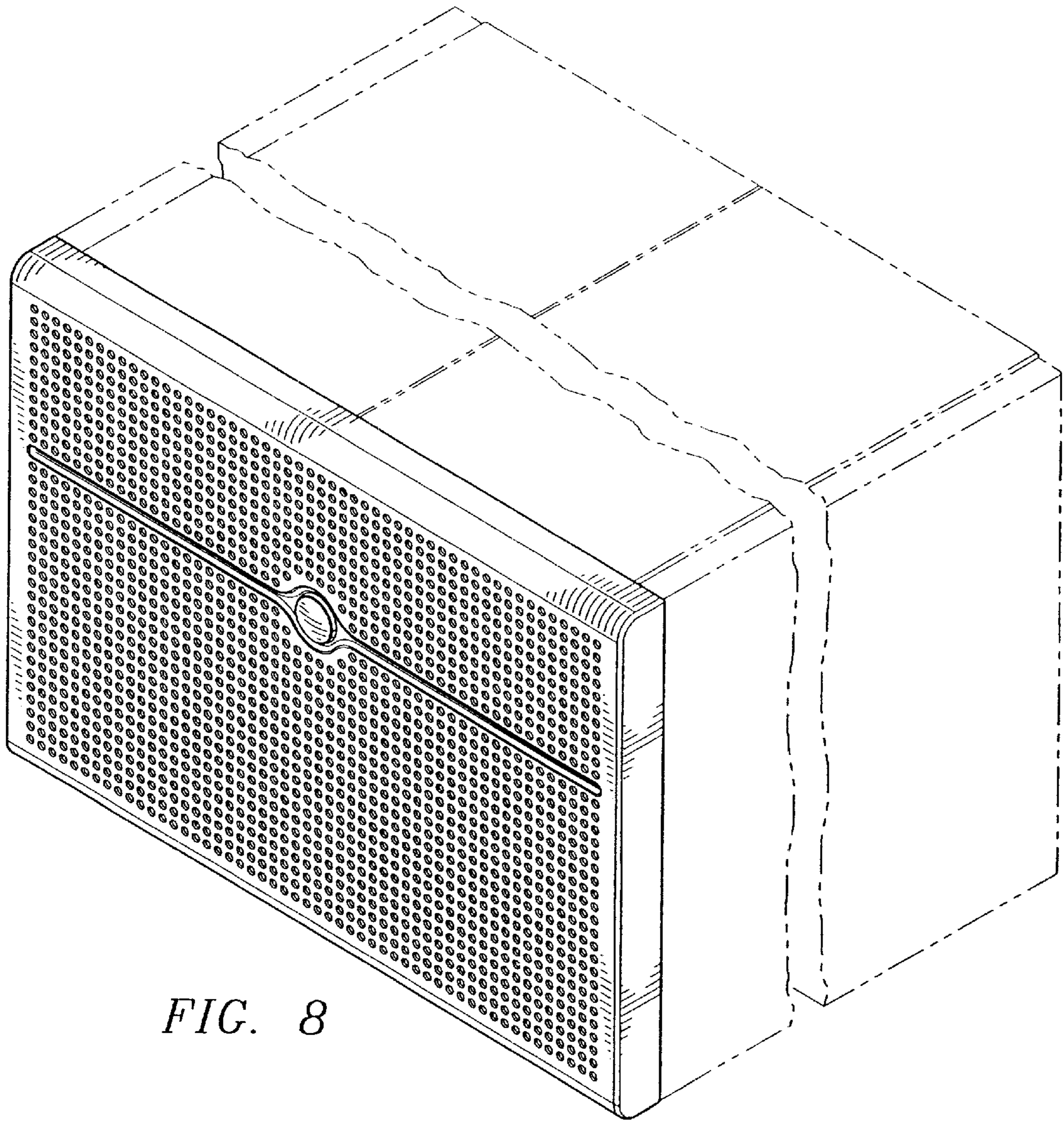


FIG. 8

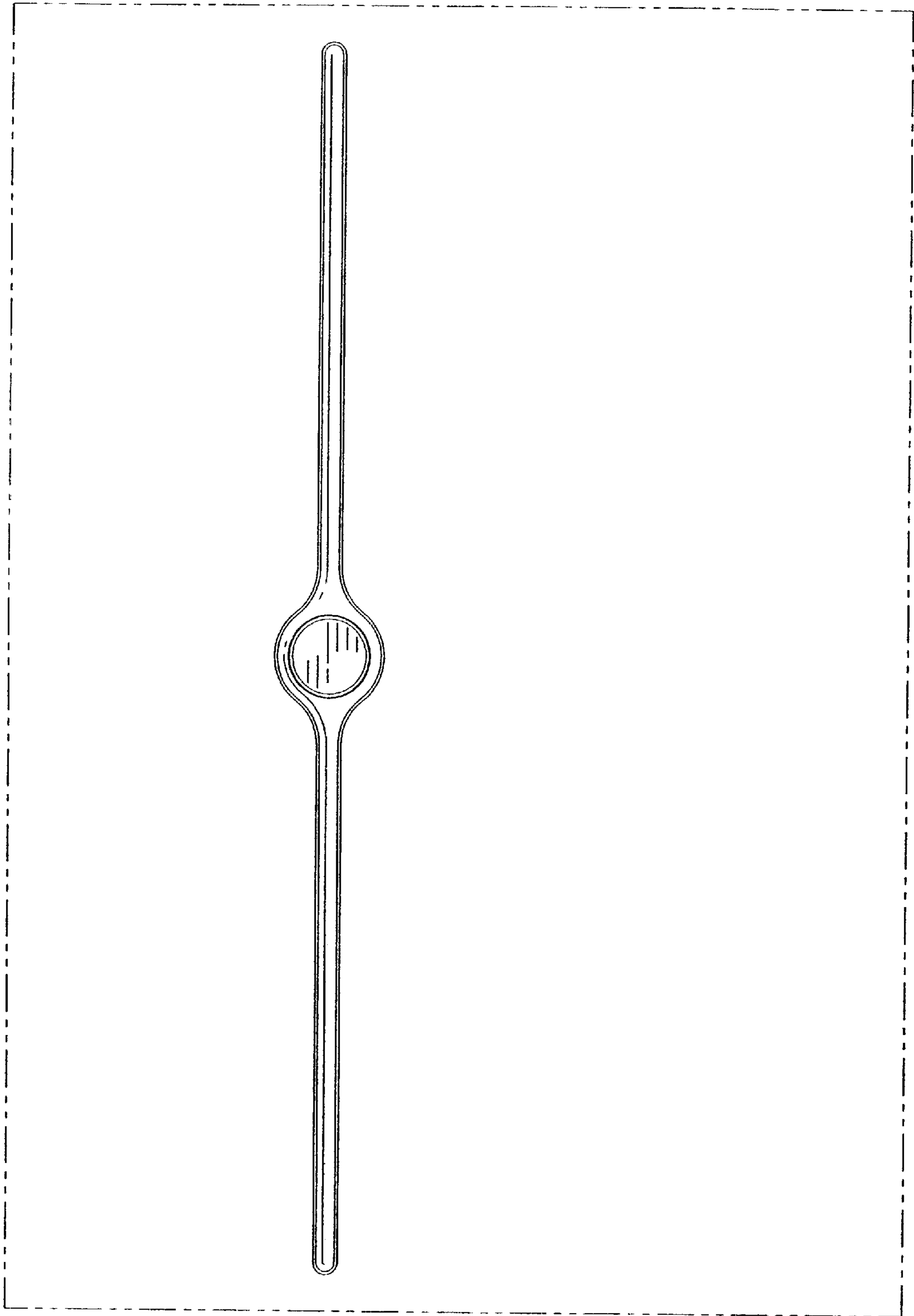


FIG. 9

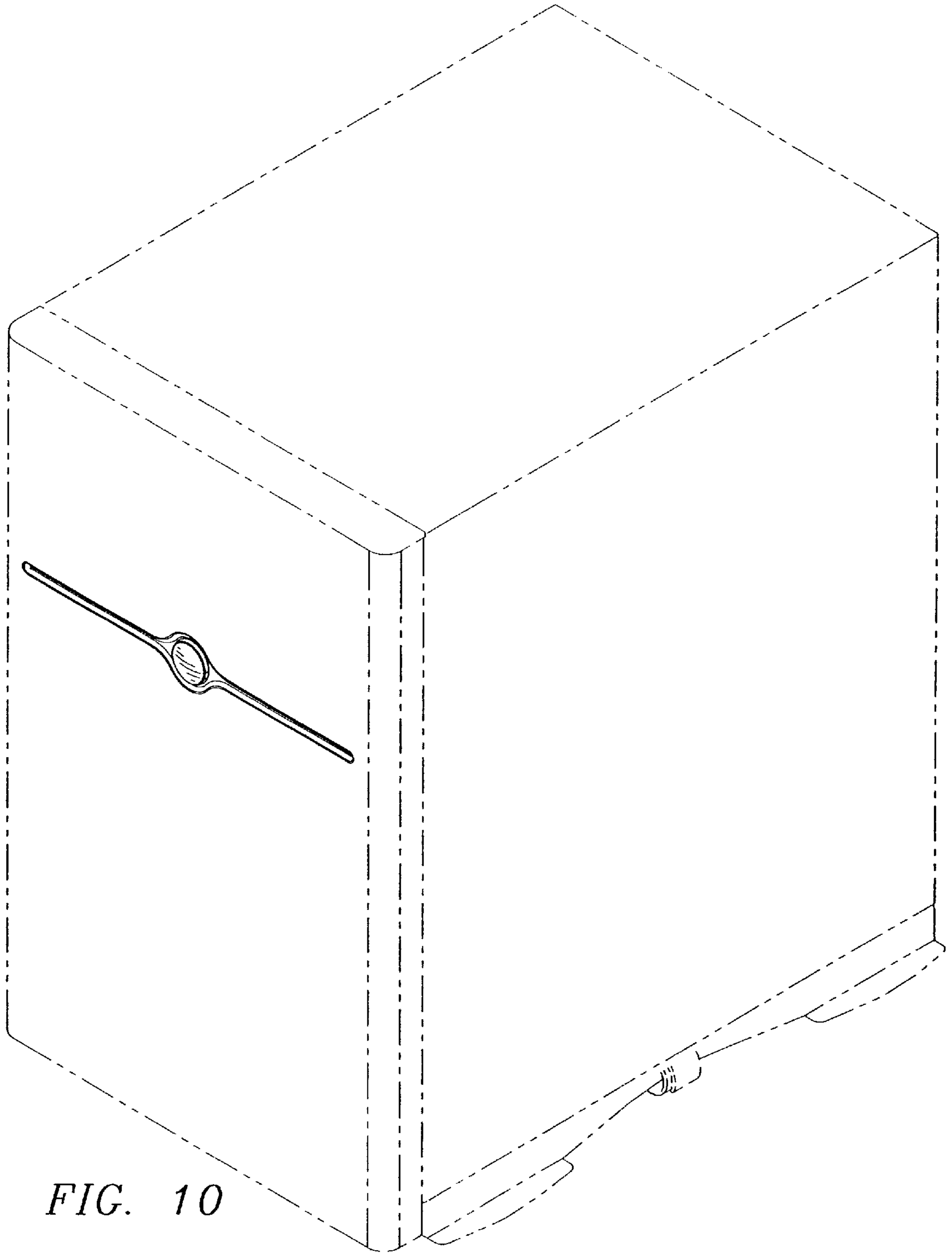


FIG. 10

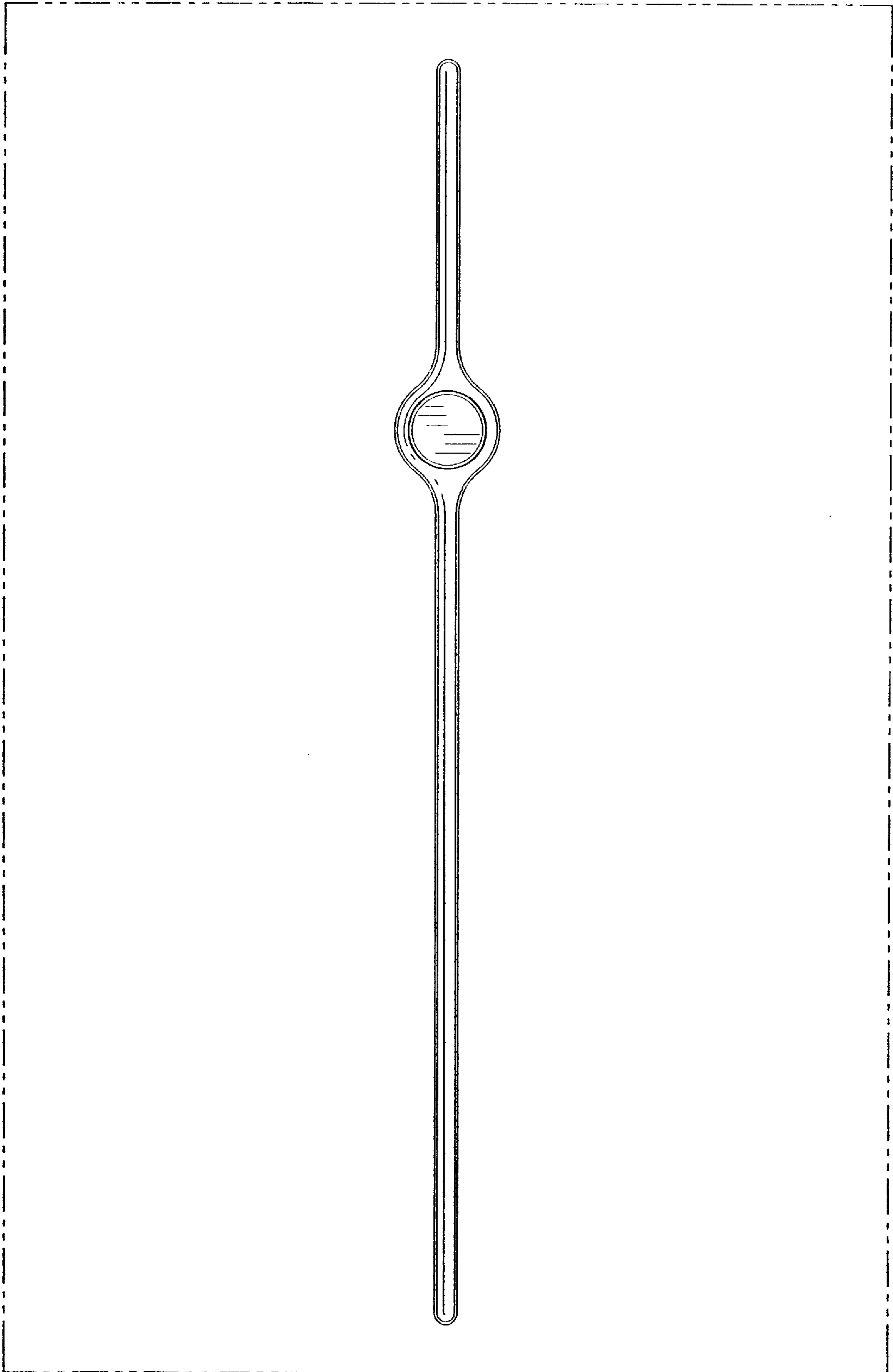


FIG. 11

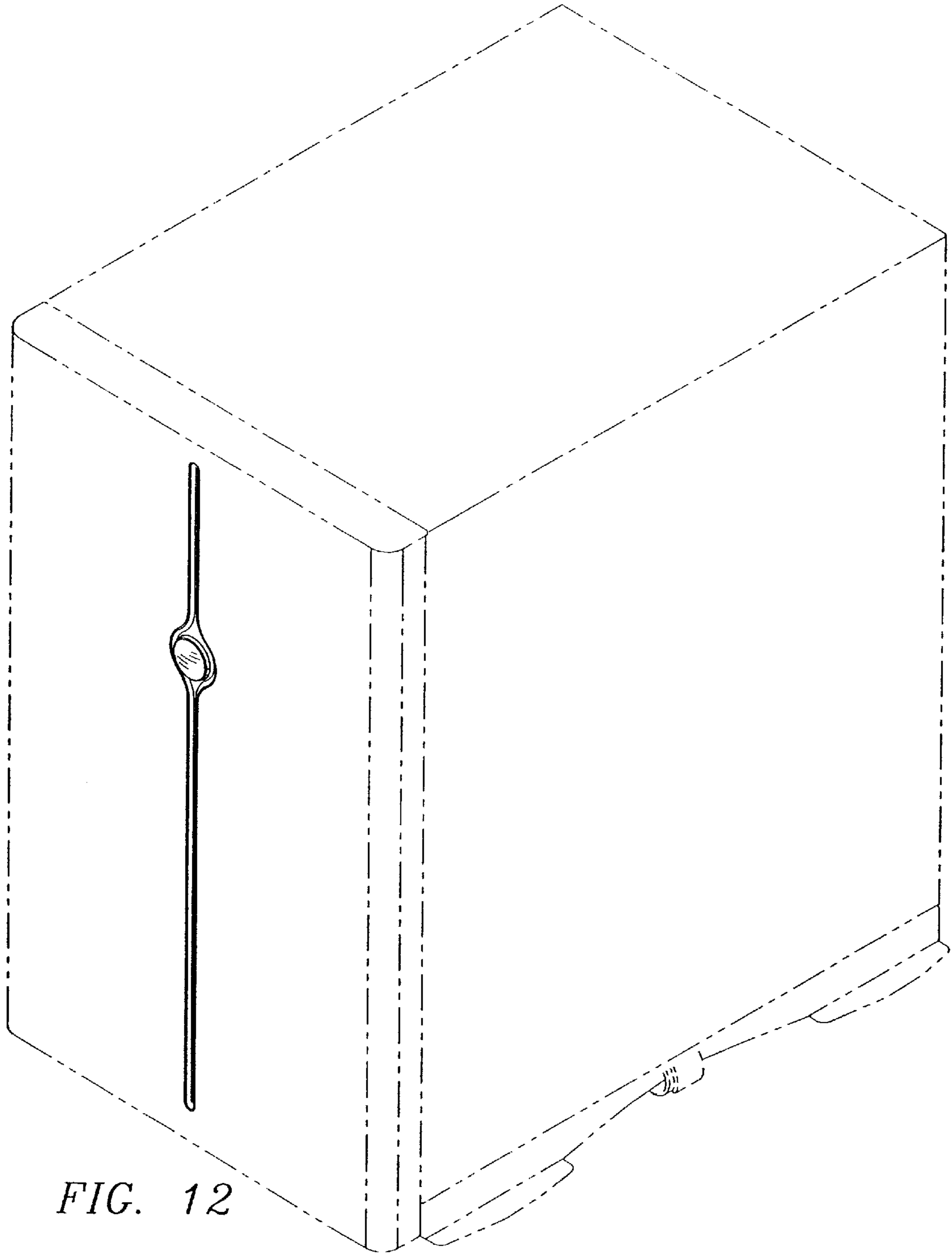


FIG. 12