



US00D486827S

(12) **United States Design Patent**
Detallante

(10) **Patent No.:** **US D486,827 S**

(45) **Date of Patent:** **** Feb. 17, 2004**

(54) **PRICE VERIFIER EMPLOYING SCANNER**

(75) Inventor: **Jean Charles Detallante**, Paris (FR)

(73) Assignee: **Gempsy France**, Sarcelles (FR)

(**) Term: **14 Years**

(21) Appl. No.: **29/169,676**

(22) Filed: **Oct. 25, 2002**

(51) **LOC (7) Cl.** **14-02**

(52) **U.S. Cl.** **D14/420; D18/4.5**

(58) **Field of Search** **D14/420-425;**
D18/4.4, 4.5, 12; 705/16-20; 235/454-473

(56) **References Cited**

U.S. PATENT DOCUMENTS

| | | | | | |
|--------------|---|---------|-----------------|-------|------------|
| D345,966 S | * | 4/1994 | Perez | | D18/4.5 |
| D359,952 S | * | 7/1995 | Cox et al. | | D18/4.5 |
| D375,085 S | * | 10/1996 | Kellar et al. | | D14/371 |
| D381,976 S | * | 8/1997 | Sandor et al. | | D14/420 |
| D388,075 S | * | 12/1997 | Bayer et al. | | D14/420 |
| 5,710,416 A | * | 1/1998 | Belknap et al. | | 235/383 |
| 5,763,865 A | * | 6/1998 | Swift et al. | | 235/472 |
| 6,065,677 A | * | 5/2000 | Lippert et al. | | 235/462.43 |
| 6,257,492 B1 | * | 7/2001 | Bressler et al. | | 235/462.43 |

6,397,194 B1 * 5/2002 Houvener et al. 705/16
2003/0019938 A1 * 1/2003 Byun et al. 235/462.43

* cited by examiner

Primary Examiner—Joel Sincavage

(74) *Attorney, Agent, or Firm*—William W. Haefliger

(57) **CLAIM**

I claim the ornamental design for a price verifier employing scanner, substantially as shown and described.

DESCRIPTION

FIG. 1 is a perspective view showing front and right side of the price verifier employing scanner;
FIG. 2 is a left side elevation view of the price verifier employing scanner, the right side view being the same;
FIG. 3 is a front elevation view of the price verifier employing scanner;
FIG. 4 is a rear elevation view of the price verifier employing scanner;
FIG. 5 is a top plan view of the price verifier employing scanner; and,
FIG. 6 is a bottom plan view of the price verifier employing scanner.

1 Claim, 3 Drawing Sheets

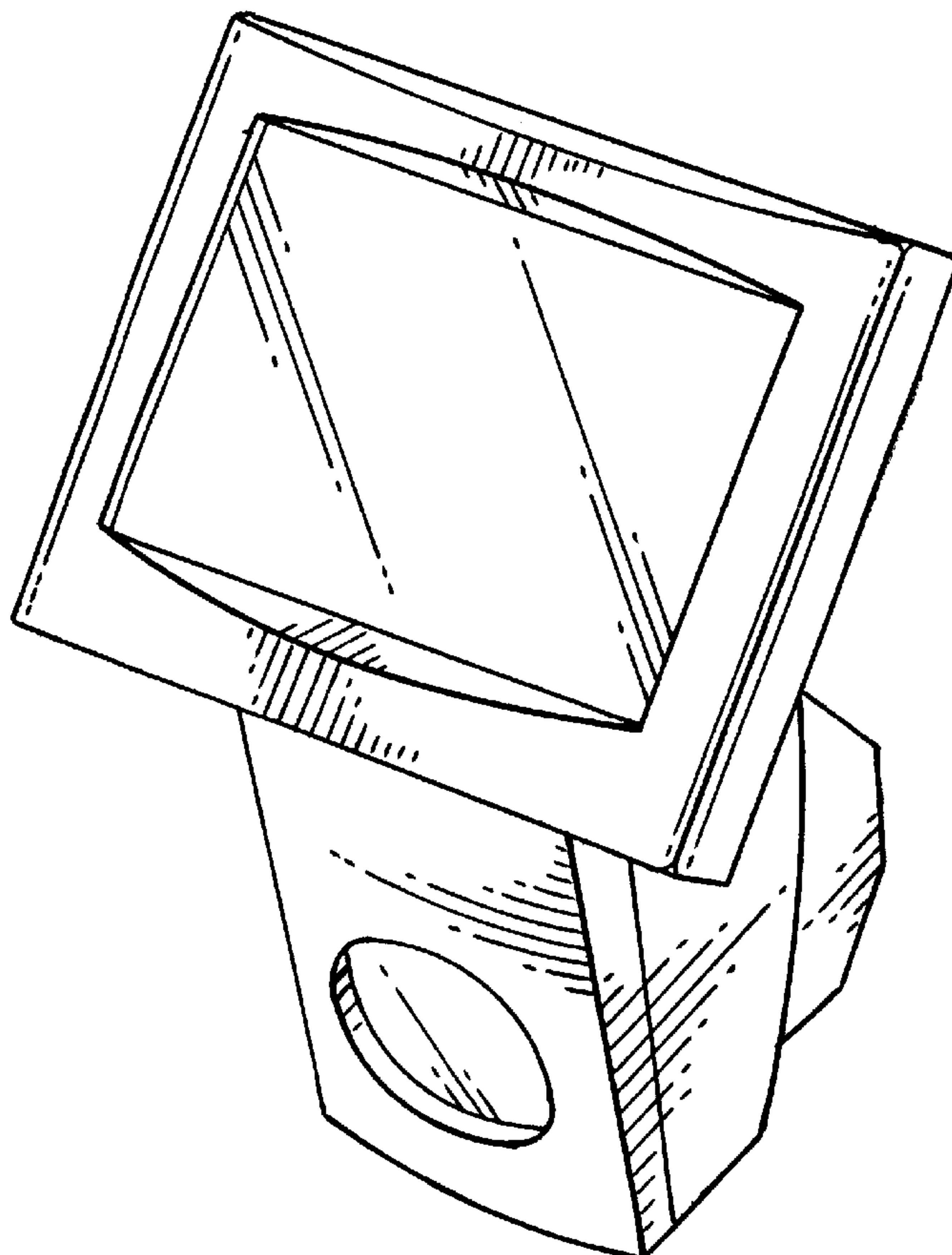


FIG. 2.

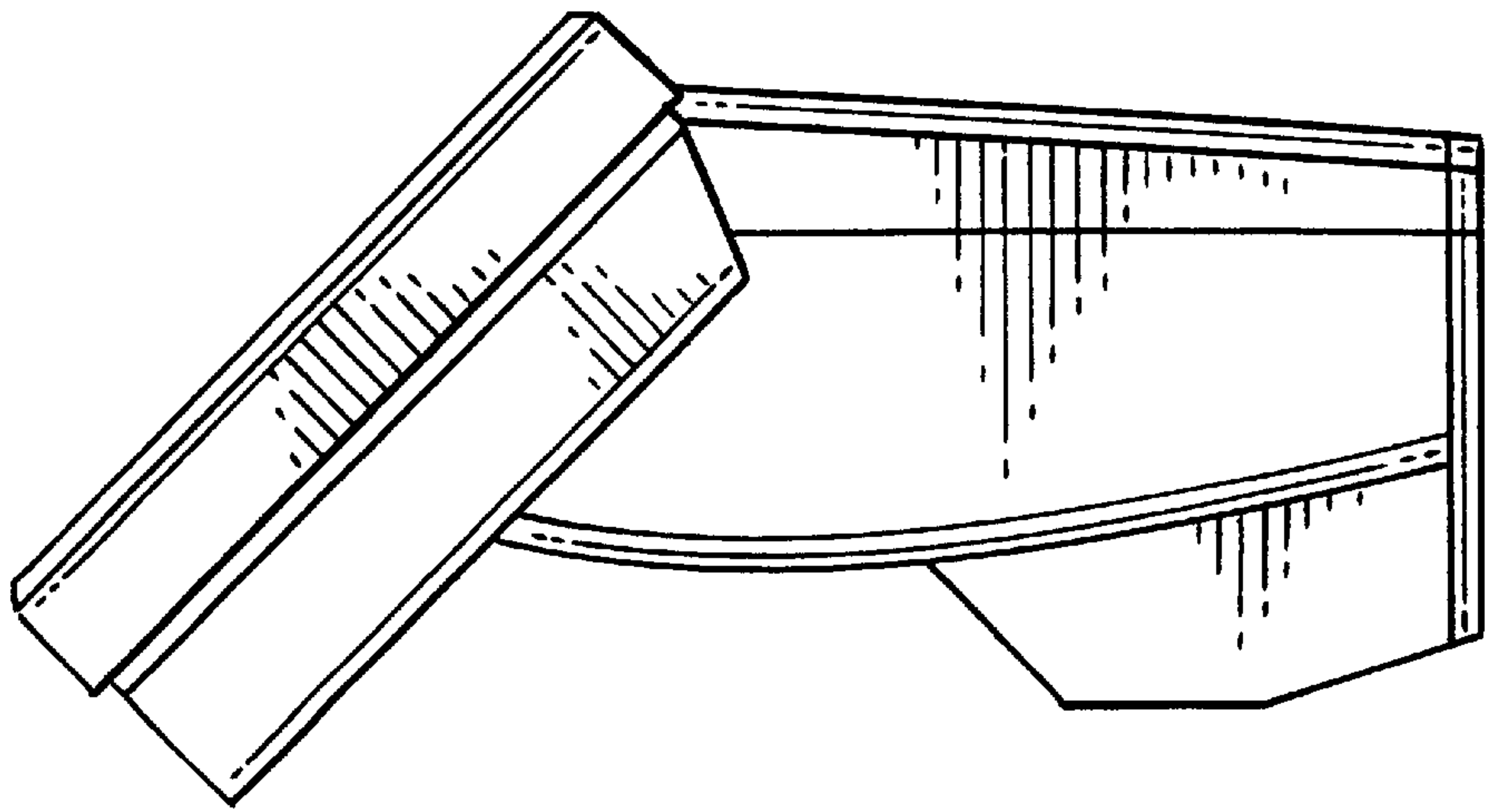


FIG. 1.

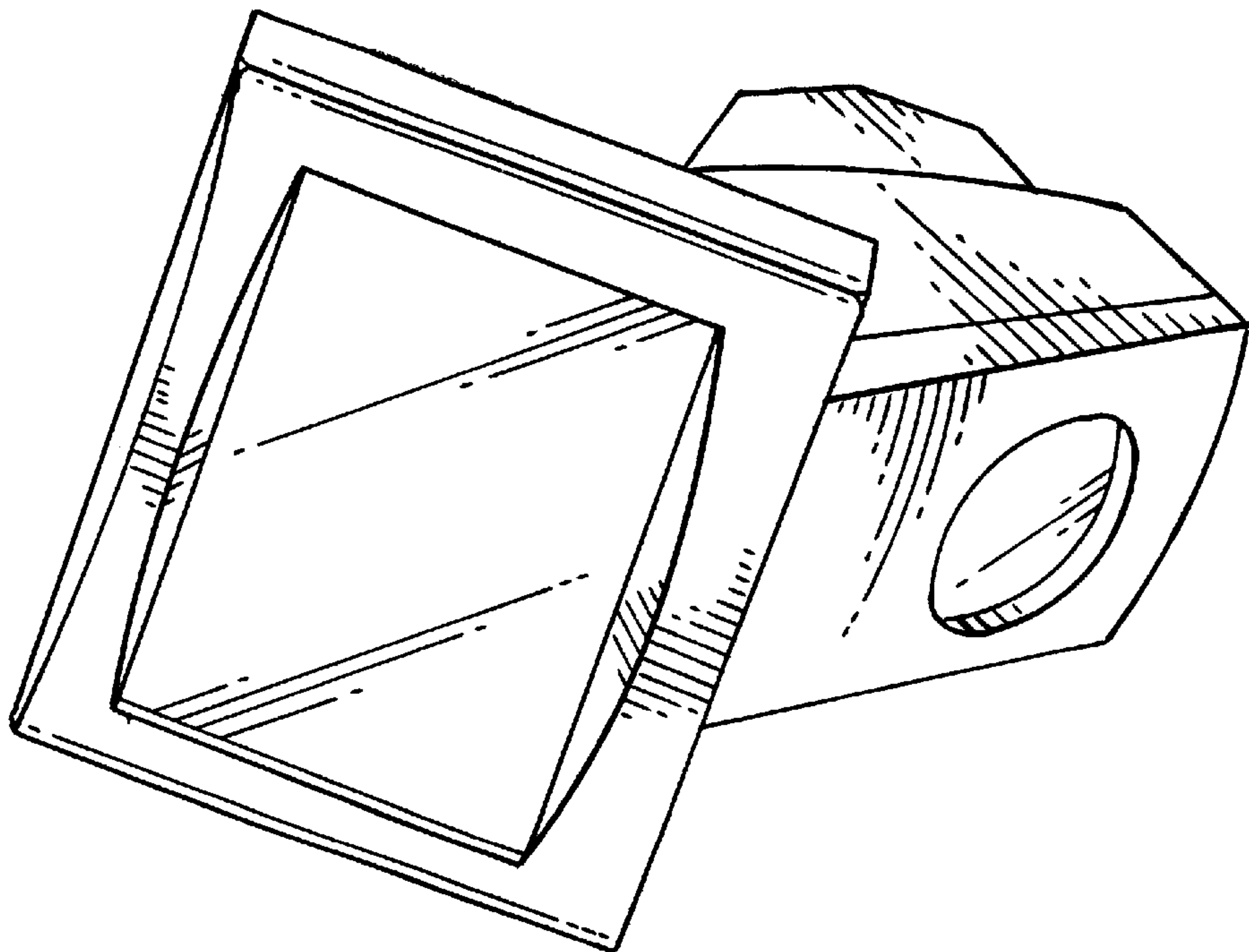


FIG. 4.

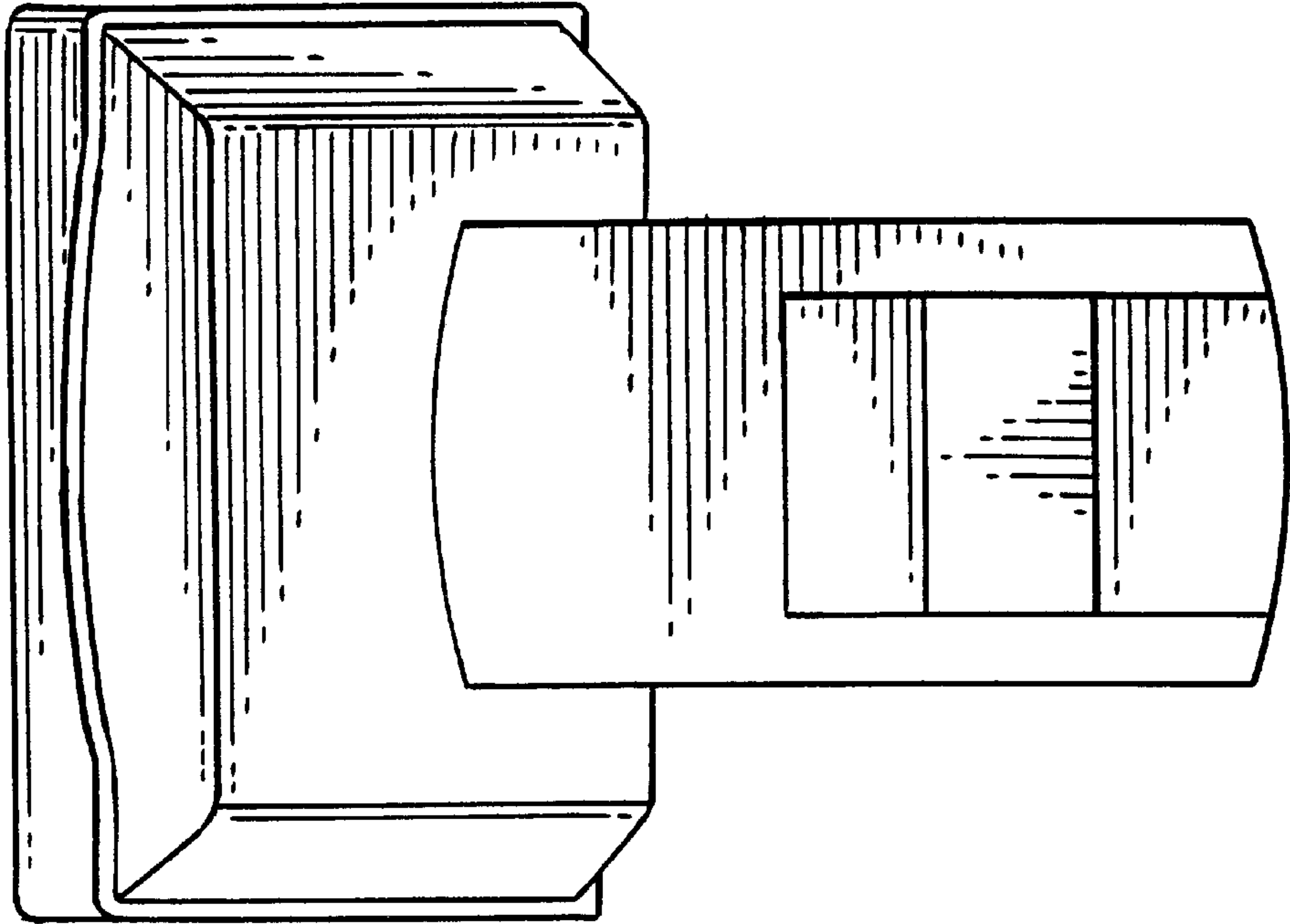


FIG. 3.

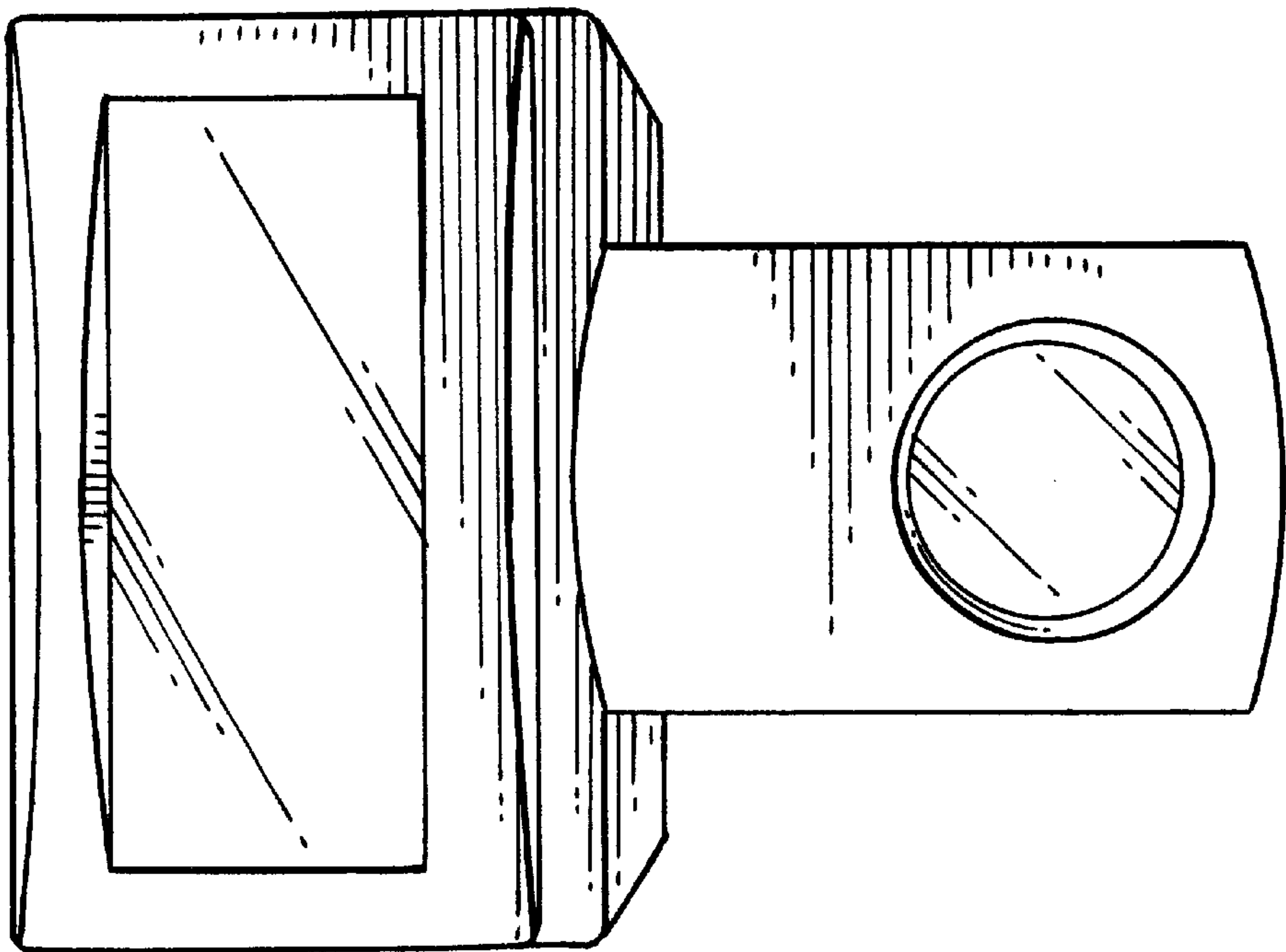


FIG. 5.

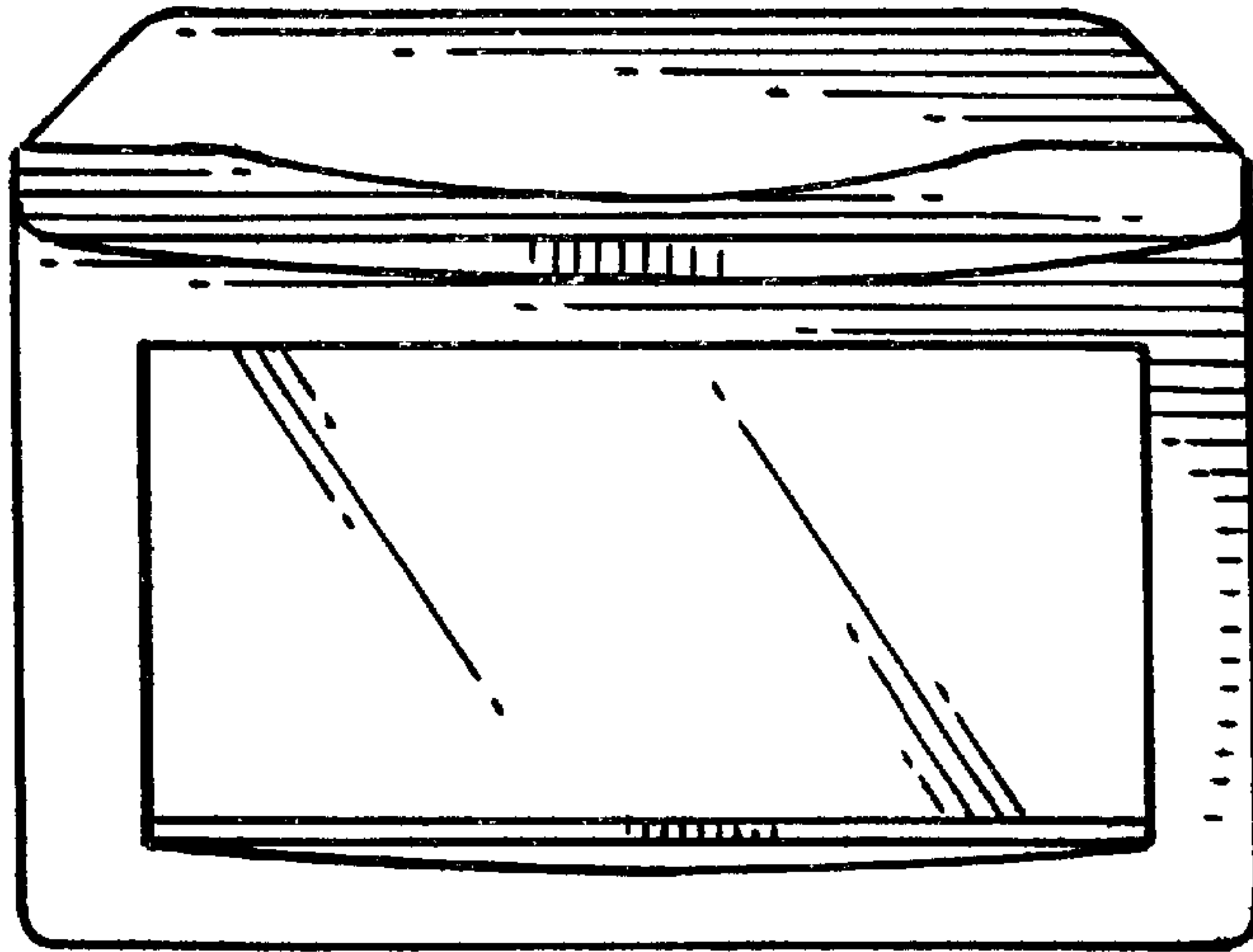


FIG. 6.

