



US00D486825S

(12) **United States Design Patent**
Shiota et al.

(10) **Patent No.:** **US D486,825 S**

(45) **Date of Patent:** **** Feb. 17, 2004**

(54) **DISPLAY DEVICE**

(75) Inventors: **Yoshihiro Shiota**, Kawasaki (JP); **Eiji Furutsu**, Kawasaki (JP); **Aki Nanjo**, Kawasaki (JP)

(73) Assignee: **Fujitsu General Limited**, Kanagawa-Ken (JP)

(**) Term: **14 Years**

(21) Appl. No.: **29/174,250**

(22) Filed: **Jan. 15, 2003**

(30) **Foreign Application Priority Data**

Aug. 22, 2002 (JP) 2002-022347

(51) **LOC (7) Cl.** **14-02**

(52) **U.S. Cl.** **D14/374**

(58) **Field of Search** D14/371-376,
D14/125-129, 341; 345/104, 156, 168,
173, 87, 901-905; 348/180, 184, 325, 739;
341/12; 349/1, 2, 11, 62

(56) **References Cited**

U.S. PATENT DOCUMENTS

D382,259 S * 8/1997 Nagai et al. D14/374

D388,077 S * 12/1997 Starck D14/126
D424,068 S * 5/2000 Takemasa D14/374
D424,538 S * 5/2000 Hayashi et al. D14/374
D453,333 S * 2/2002 Chen D14/374

FOREIGN PATENT DOCUMENTS

JP 1120796 7/2001

* cited by examiner

Primary Examiner—Freda Nunn

(74) *Attorney, Agent, or Firm*—Sughrue Mion, PLLC

(57) **CLAIM**

The ornamental design for a display device, as shown.

DESCRIPTION

FIG. 1 is a perspective view of the top, front and right side of a display device showing our new design;
FIG. 2 is a top plan view thereof;
FIG. 3 is a front elevational view thereof;
FIG. 4 is a bottom plan view thereof;
FIG. 5 is a left side elevational view thereof;
FIG. 6 is a right side elevational view thereof; and,
FIG. 7 is a rear elevational view thereof.

1 Claim, 3 Drawing Sheets

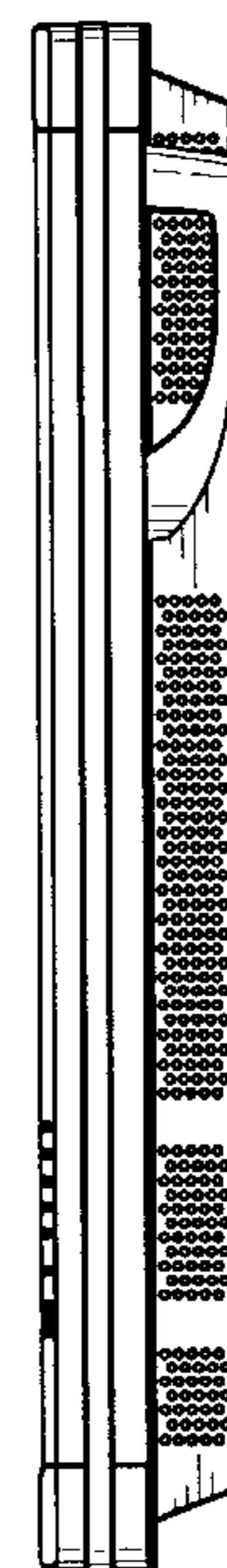
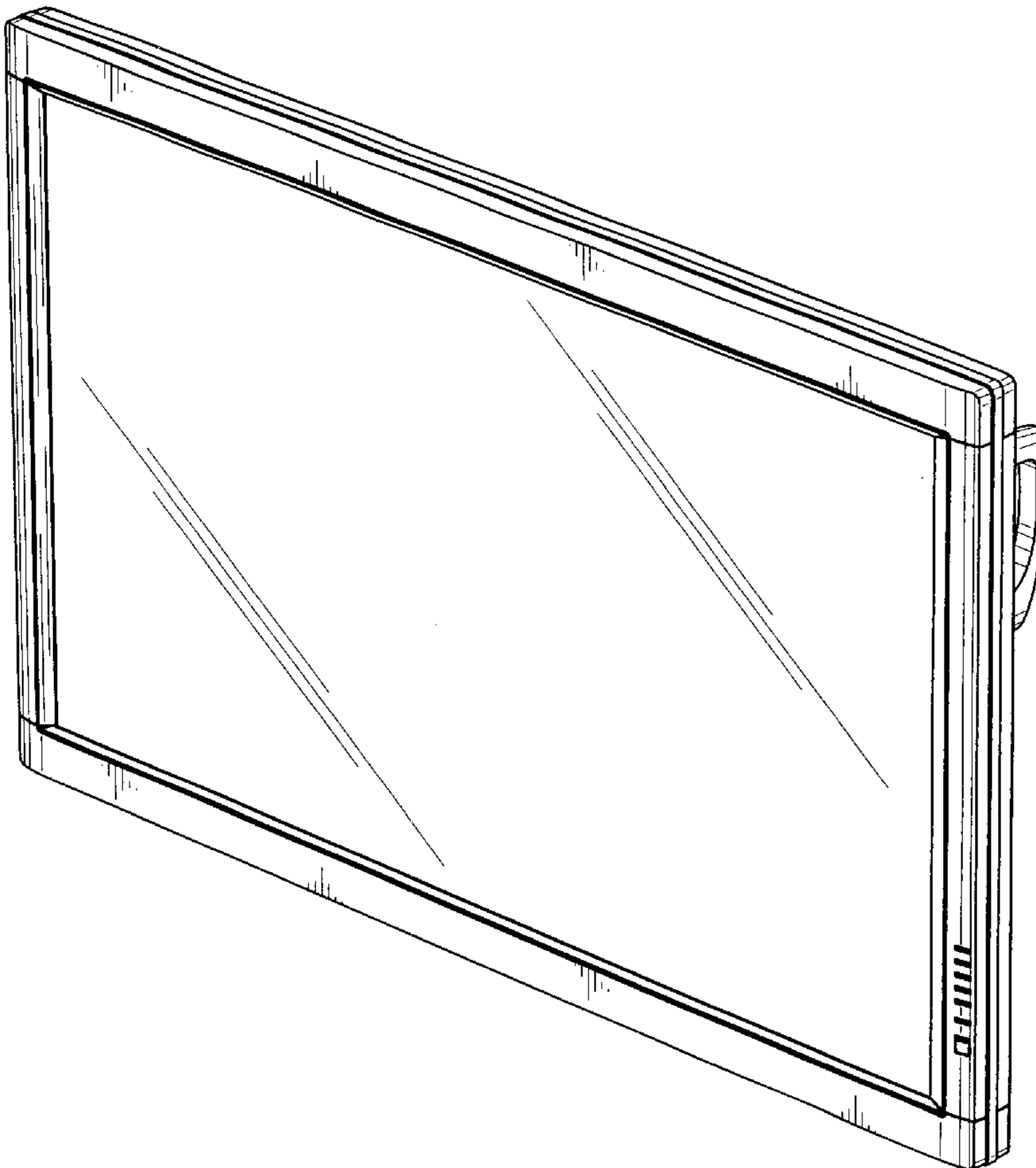


FIG. 1

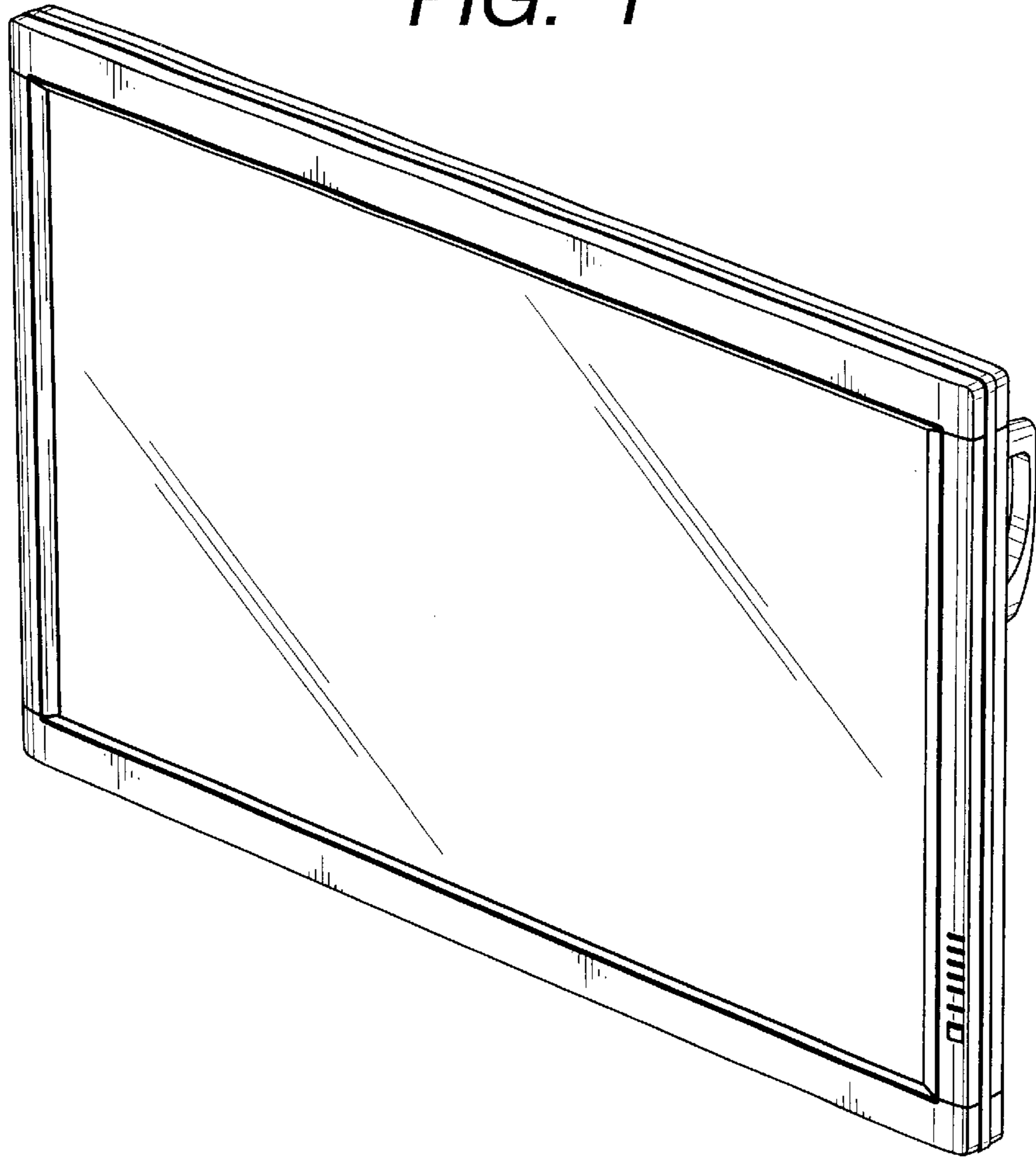


FIG. 2

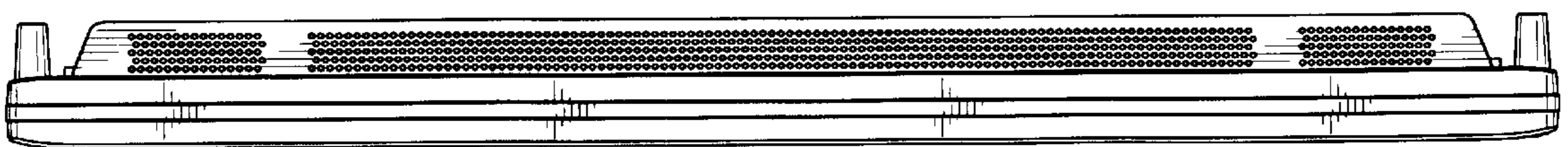


FIG. 3

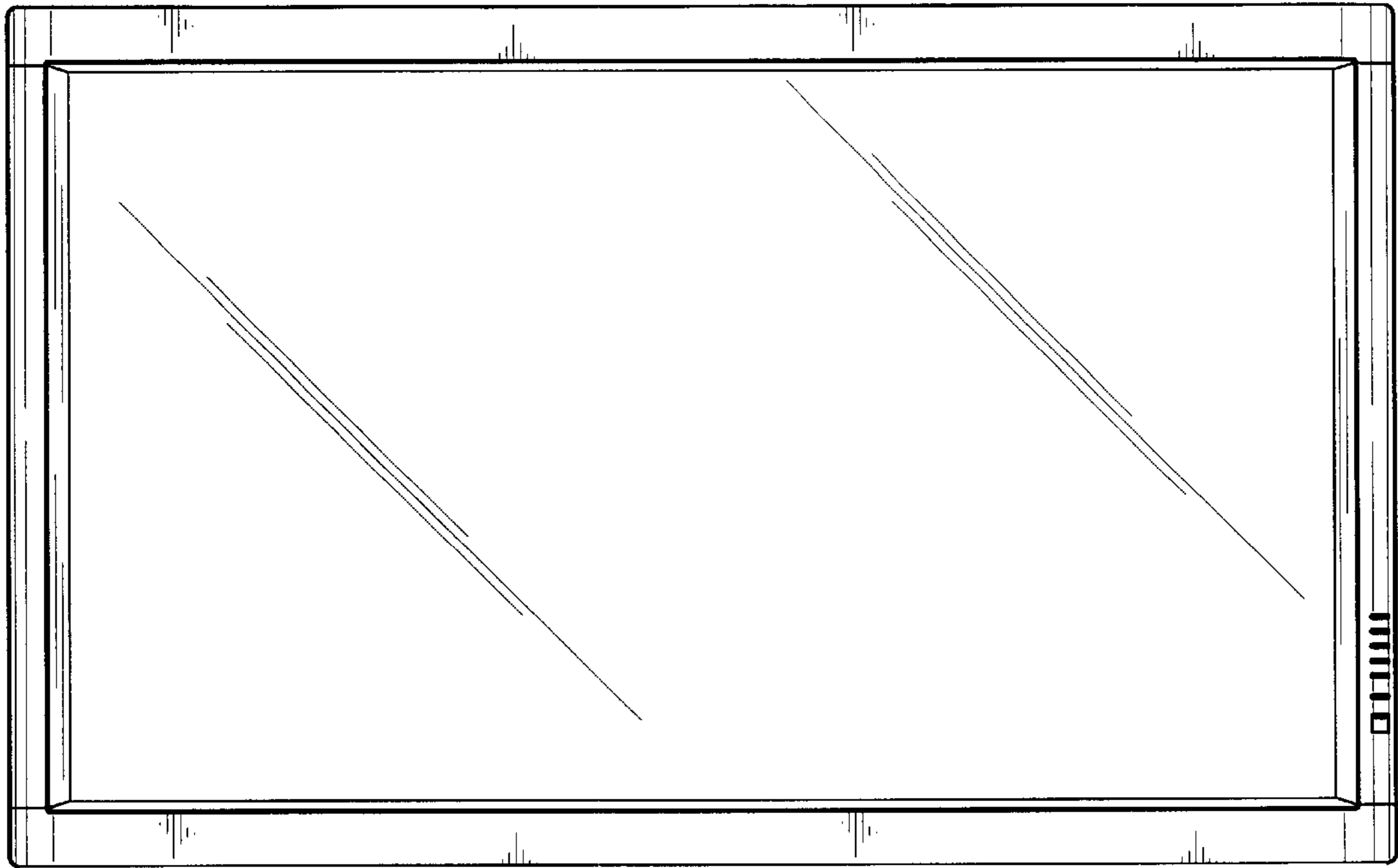


FIG. 4

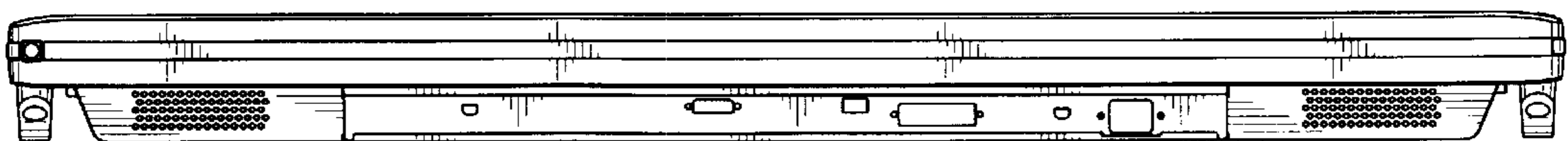


FIG. 5

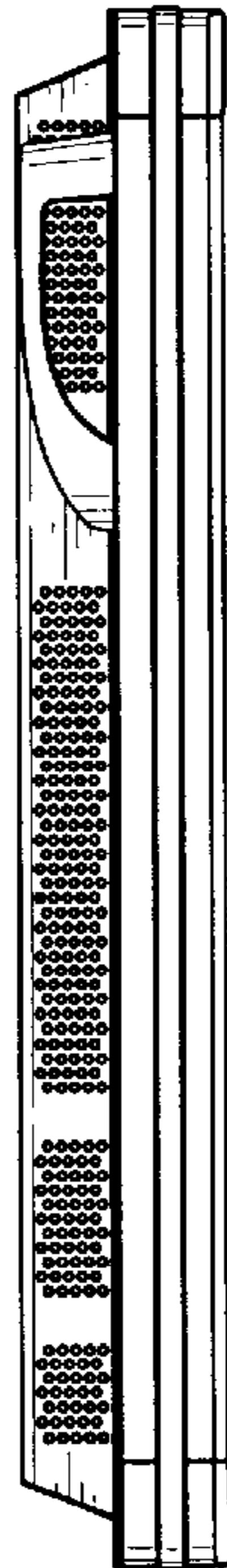


FIG. 6

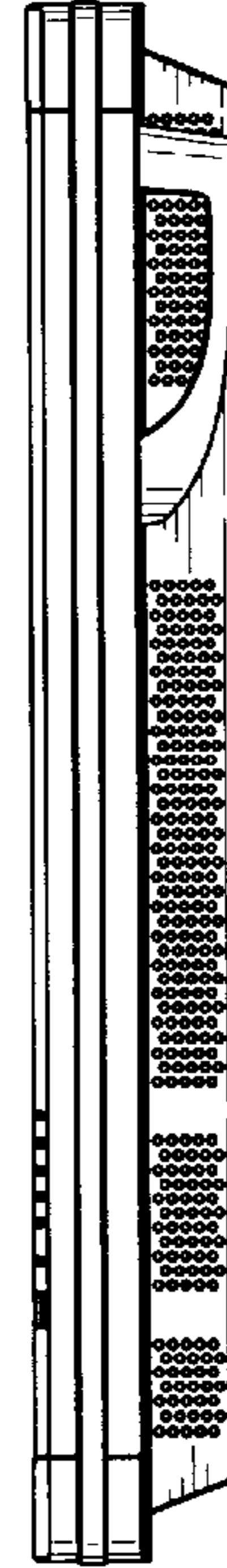


FIG. 7

