



US00D486824S

(12) **United States Design Patent**
Chung

(10) **Patent No.:** **US D486,824 S**

(45) **Date of Patent:** **** Feb. 17, 2004**

- (54) **PORTABLE NETWORK DEVICE**
- (75) Inventor: **Ming-Tsai Chung**, Hsinchu (TW)
- (73) Assignee: **D-Link Corporation**, Hsinchu (TW)
- (**) Term: **14 Years**
- (21) Appl. No.: **29/167,711**
- (22) Filed: **Sep. 20, 2002**
- (51) **LOC (7) Cl.** **14-02**
- (52) **U.S. Cl.** **D14/356; D14/433**
- (58) **Field of Search** **D14/356-358,**
D14/240, 433; D13/162, 184, 123, 199;
361/680-686, 690-696; 439/717; 220/4.02

- D434,374 S * 11/2000 Ko D13/123
- D435,044 S * 12/2000 Oviatt et al. D14/356
- 6,328,612 B1 * 12/2001 Chung 439/717

* cited by examiner

Primary Examiner—Freda Nunn

(74) *Attorney, Agent, or Firm*—Bacon & Thomas, PLLC

(57) **CLAIM**

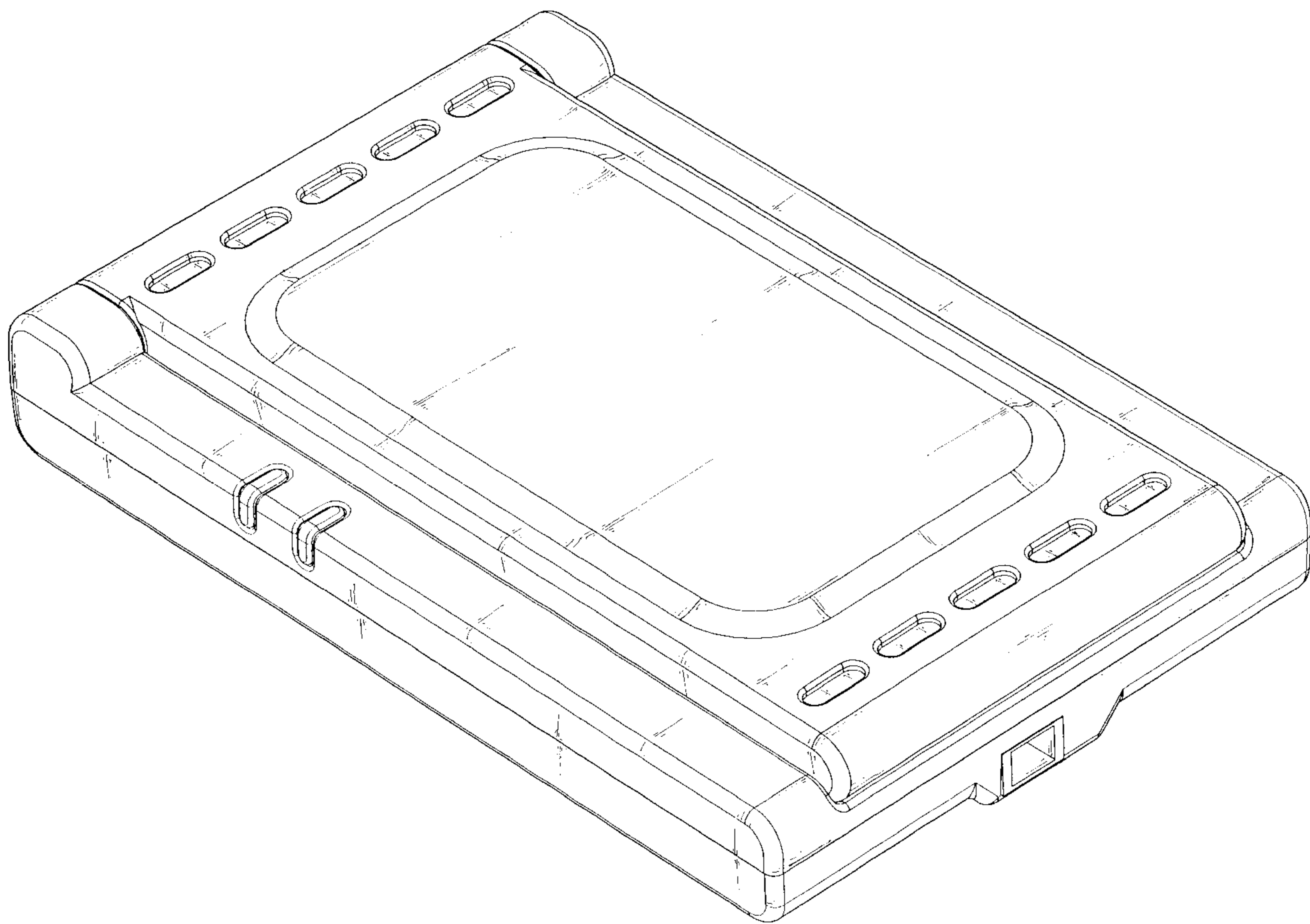
The ornamental design for a portable network device, as shown and described.

DESCRIPTION

FIG. 1 is a perspective view of a portable network device showing my new design.
 FIG. 2 is a front elevational view thereof;
 FIG. 3 is a rear elevational view thereof;
 FIG. 4 is a left side elevational view thereof;
 FIG. 5 is a right side elevational view thereof;
 FIG. 6 is a top plan view thereof; and,
 FIG. 7 is a bottom plan view thereof.

- (56) **References Cited**
- U.S. PATENT DOCUMENTS**
- D418,487 S * 1/2000 Gallahan et al. D14/356
- D425,021 S * 5/2000 Ko D13/123
- 6,085,925 A * 7/2000 Chung 220/4.02
- D434,040 S * 11/2000 Yasufuku et al. D14/433

1 Claim, 5 Drawing Sheets



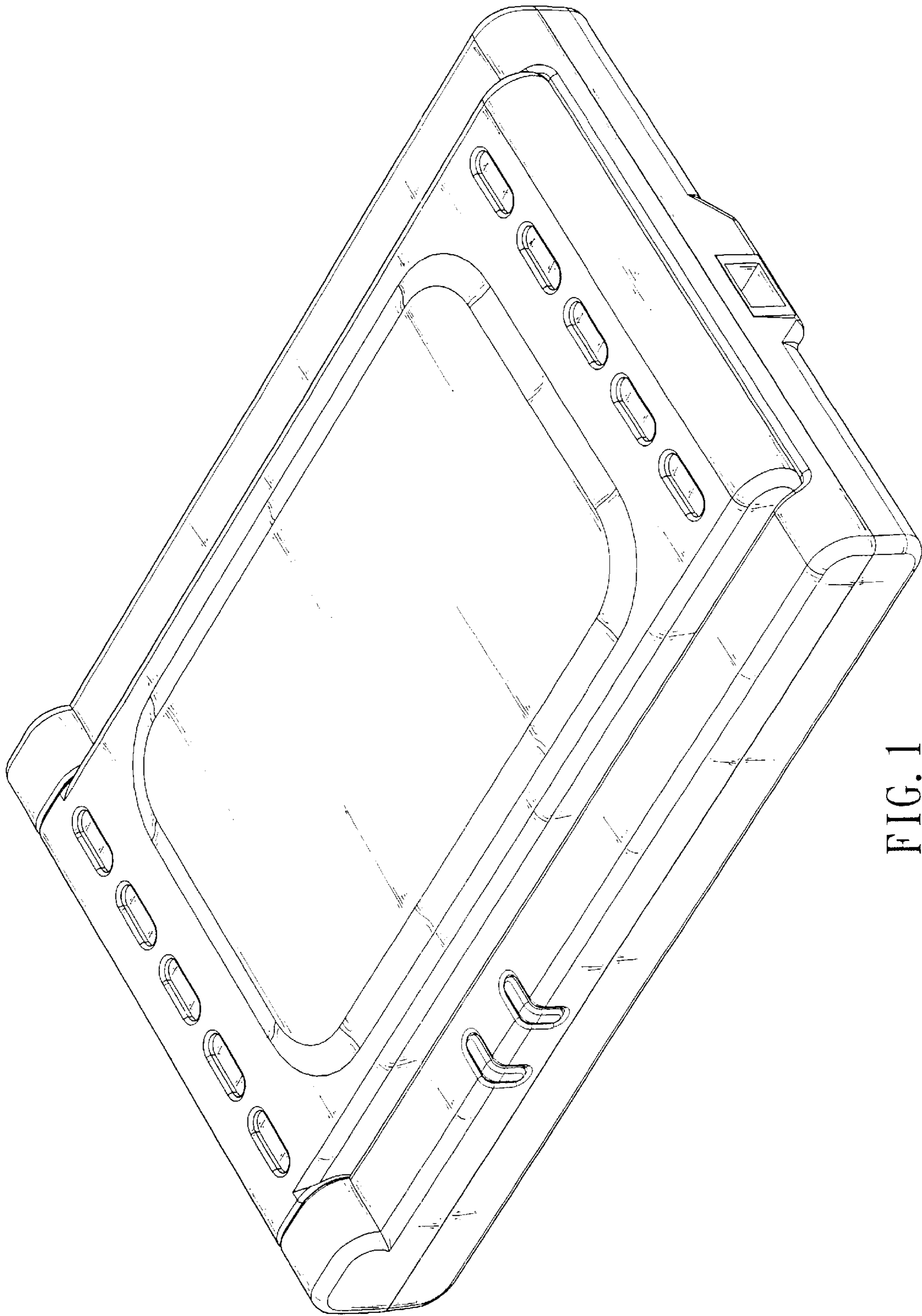


FIG. 1

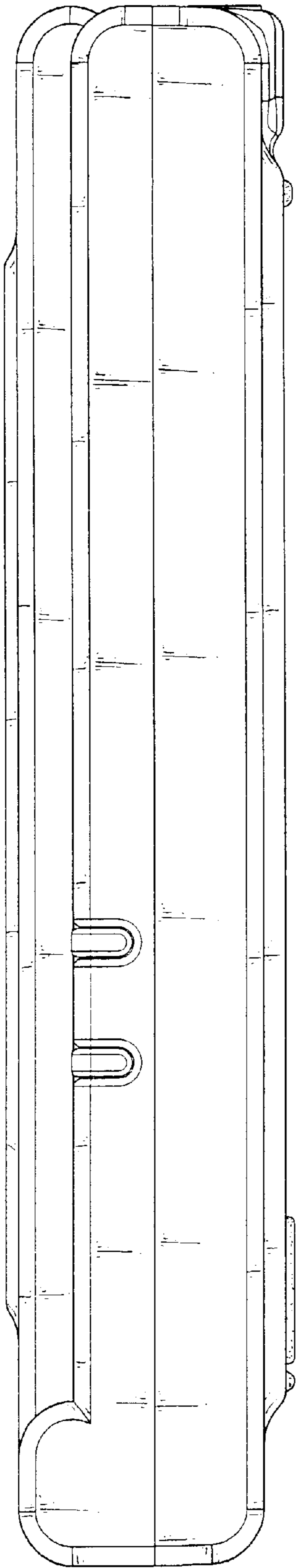


FIG. 2

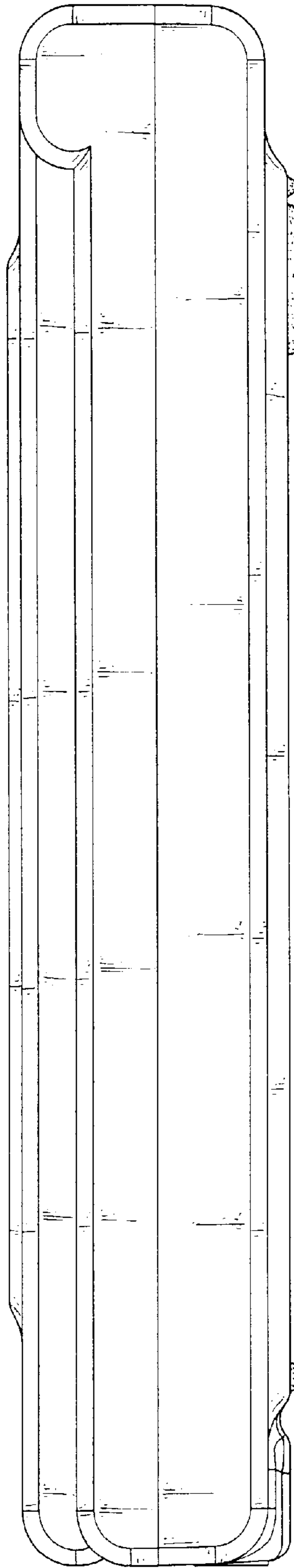


FIG. 3

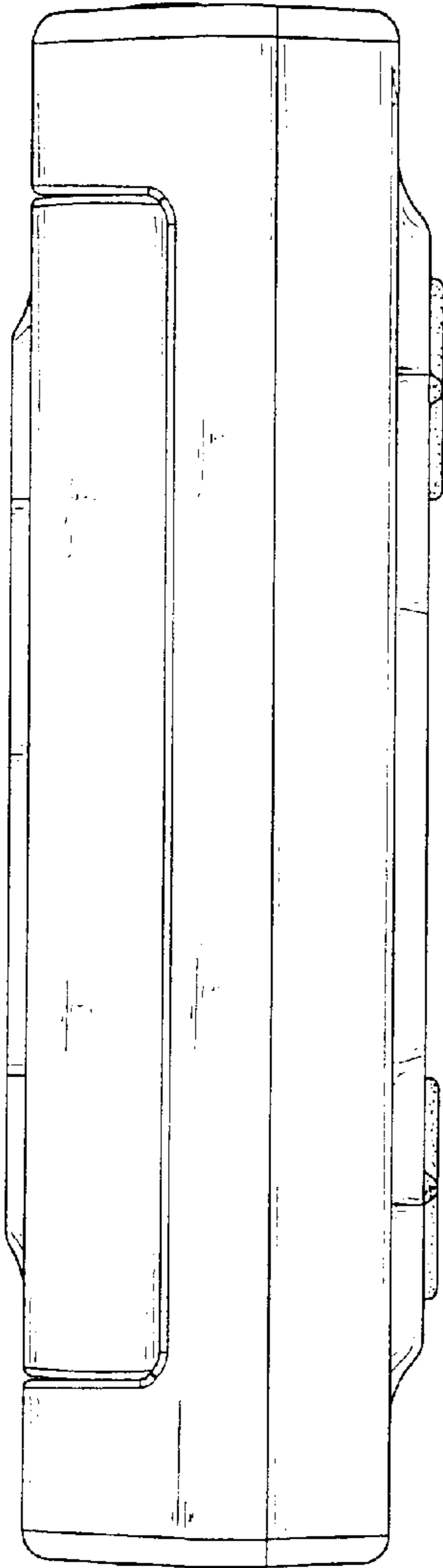


FIG. 4

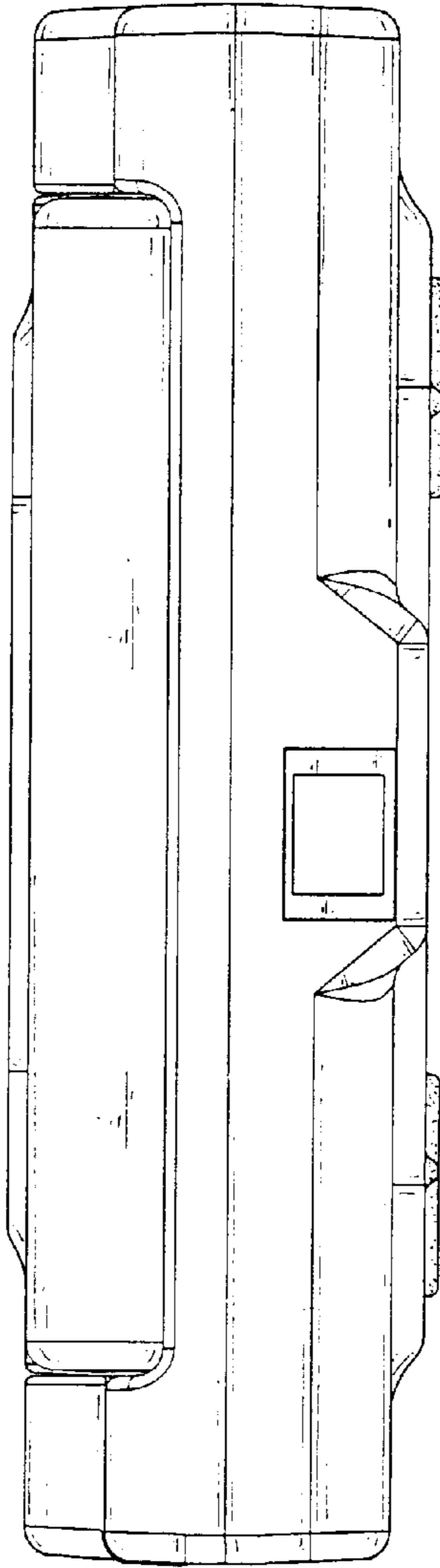


FIG. 5

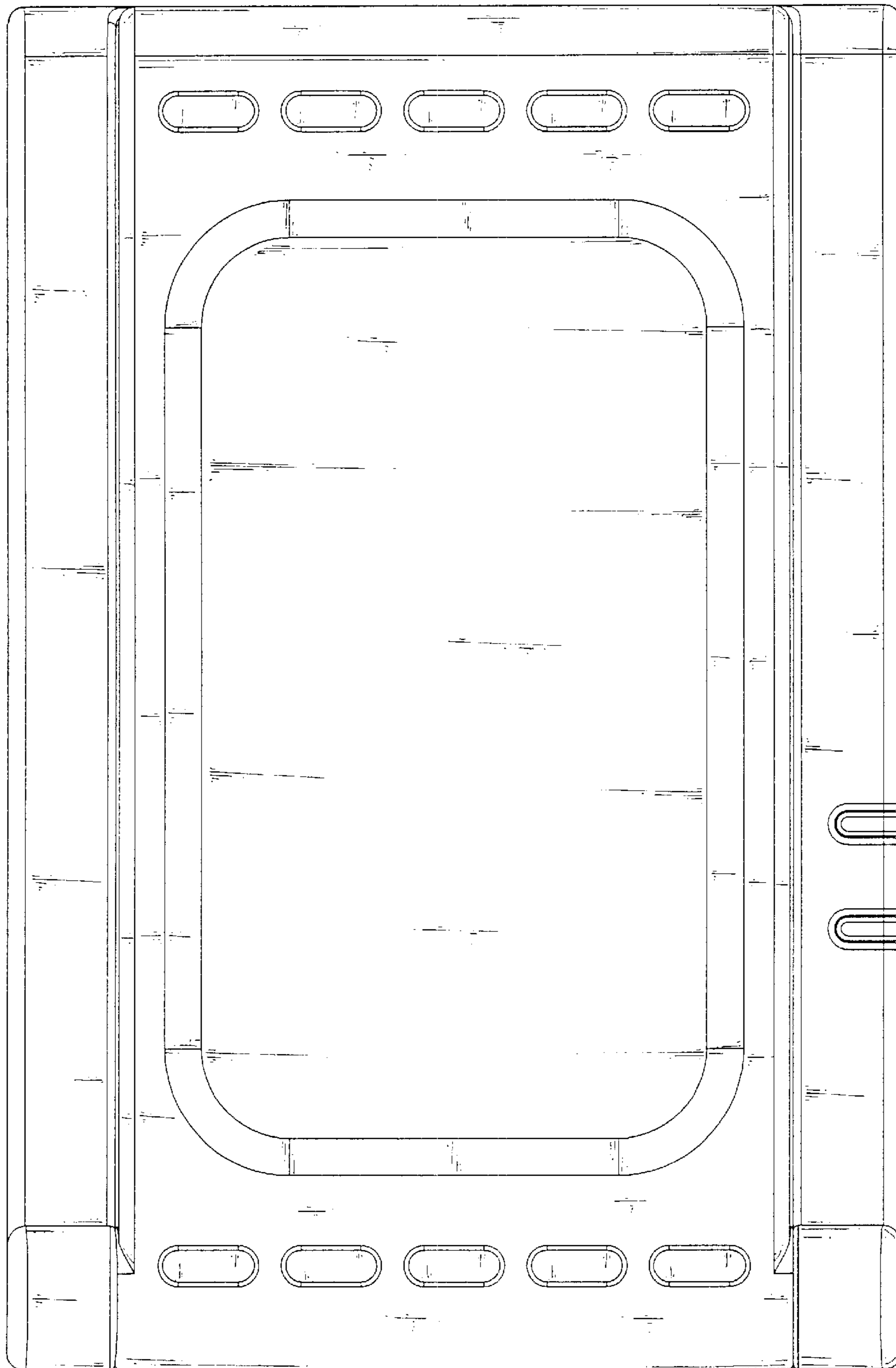


FIG. 6

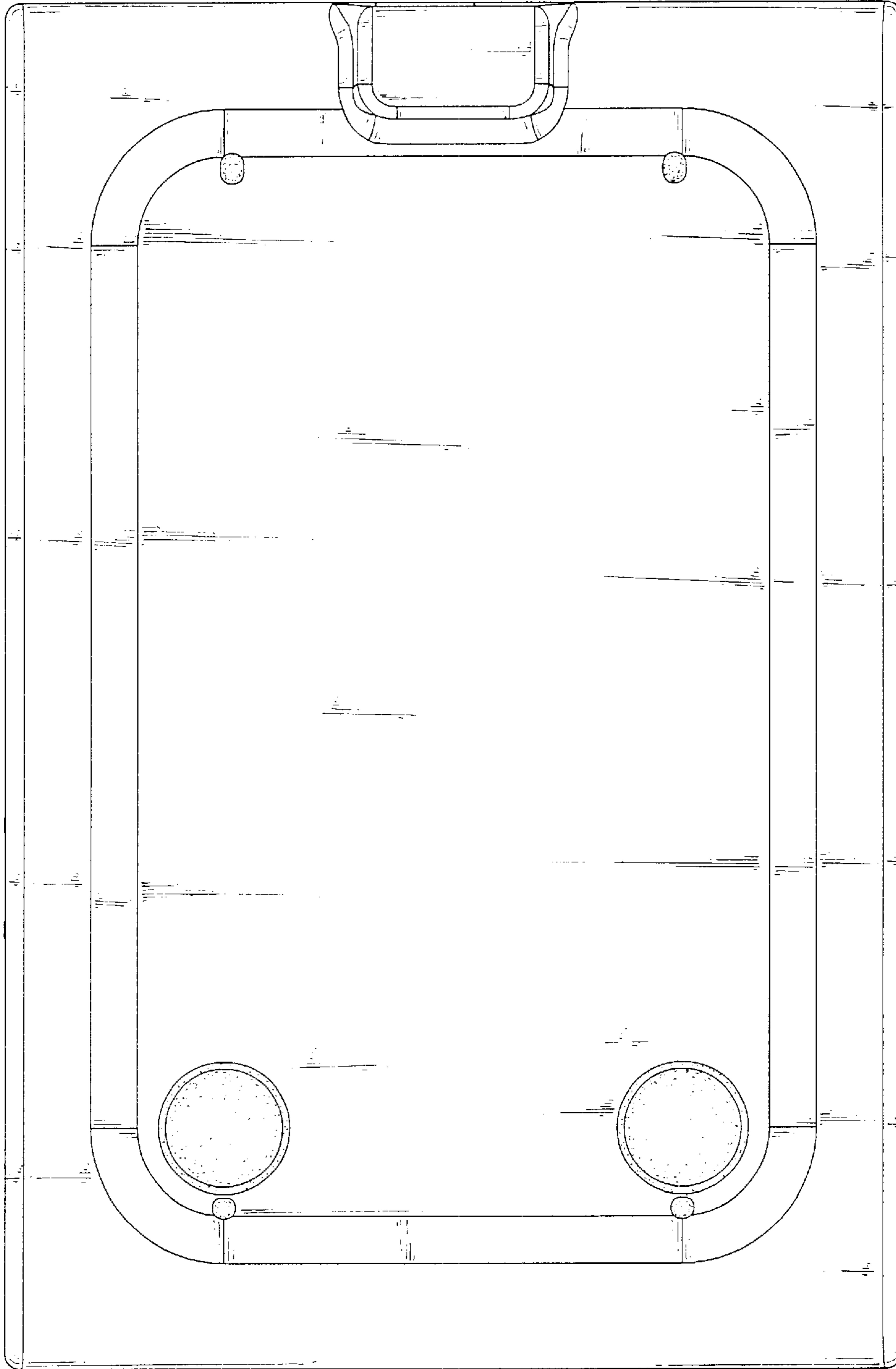


FIG. 7