



US00D486819S

(12) **United States Design Patent**
Wilson

(10) **Patent No.:** **US D486,819 S**

(45) **Date of Patent:** **** Feb. 17, 2004**

(54) **CONTROL POD FOR A COMMUNICATIONS HEADSET**

WO DM/047191 * 3/1999 13/3
WO DM/048014 * 5/1999 13/3

(75) Inventor: **Jay Wilson**, Portola Valley, CA (US)

* cited by examiner

(73) Assignee: **Plantronics, Inc.**, Santa Cruz, CA (US)

Primary Examiner—Charles A. Rademaker
(74) *Attorney, Agent, or Firm*—Peter Hsieh

(**) Term: **14 Years**

(21) Appl. No.: **29/173,917**

(22) Filed: **Jan. 7, 2003**

(51) **LOC (7) Cl.** **14-02**

(52) **U.S. Cl.** **D14/240**

(58) **Field of Search** D14/240–256,
D14/218, 299, 217; 455/151.1–151.4, 152.1,
352–355; D13/147, 168

(56) **References Cited**

U.S. PATENT DOCUMENTS

D384,330 S	*	9/1997	Ichikawa	D13/146
D422,560 S	*	4/2000	Lok	D13/147
D453,320 S	*	2/2002	Sugino	D13/147
D456,010 S	*	4/2002	Goto	D13/147
D465,477 S	*	11/2002	Beraut et al.	D14/218
D471,535 S	*	3/2003	Bey	D14/218

FOREIGN PATENT DOCUMENTS

WO DM/047201 * 1/1998 13/3

(57) **CLAIM**

The ornamental design for a control pod for a communications headset, as shown and described.

DESCRIPTION

FIG. 1 is a lower front right perspective view of a control pod for a communications headset, the broken line drawing of connecting cord(s) of the headset in the drawings herein is for illustrative purposes only and forms no part of the claimed design;

FIG. 2 is a lower rear left perspective view;

FIG. 3 is a front elevational view;

FIG. 4 is a right side elevational view;

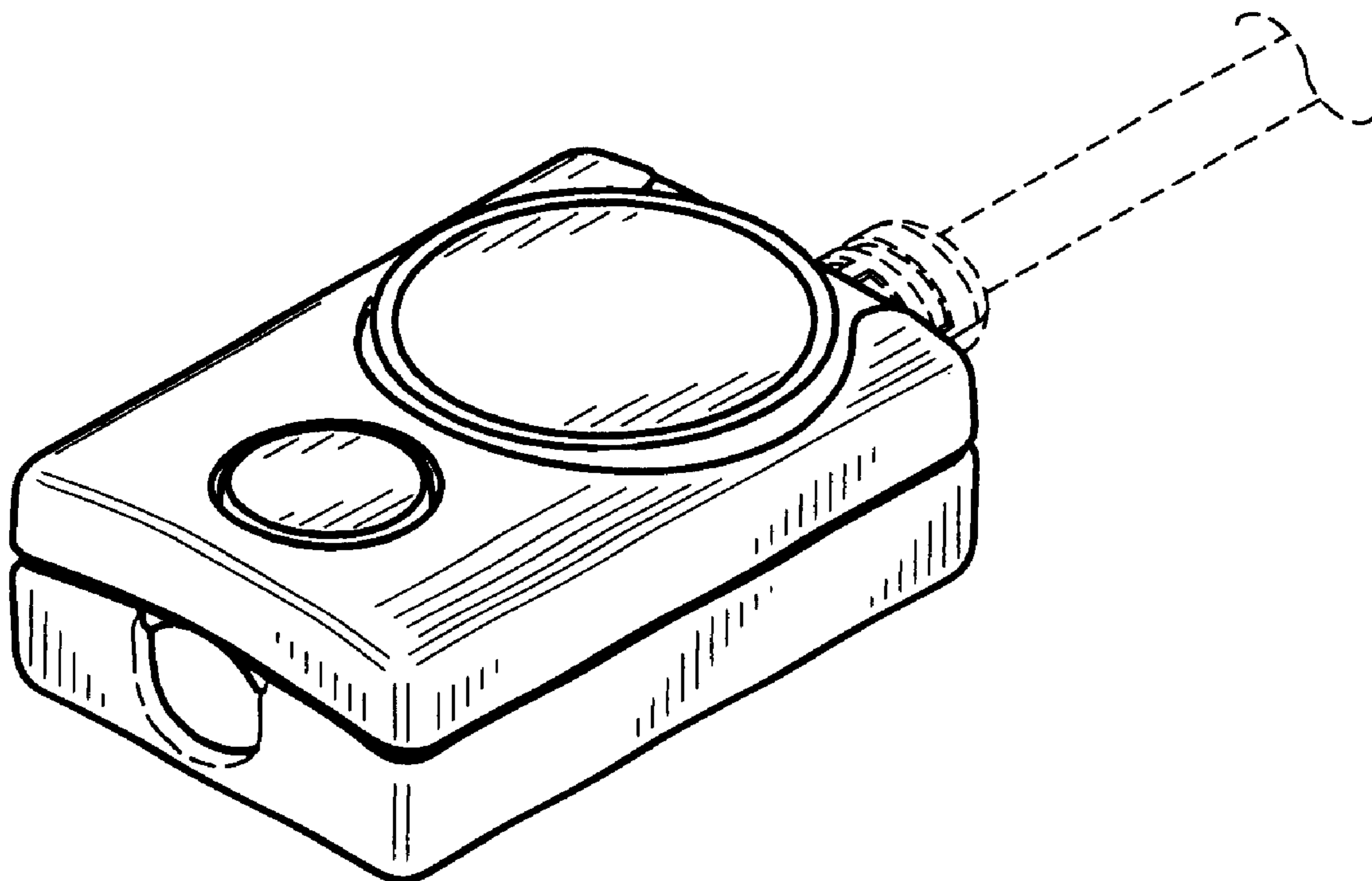
FIG. 5 is a rear elevational view;

FIG. 6 is a left side elevational view;

FIG. 7 is a bottom plan view; and,

FIG. 8 is a top plan view.

1 Claim, 3 Drawing Sheets



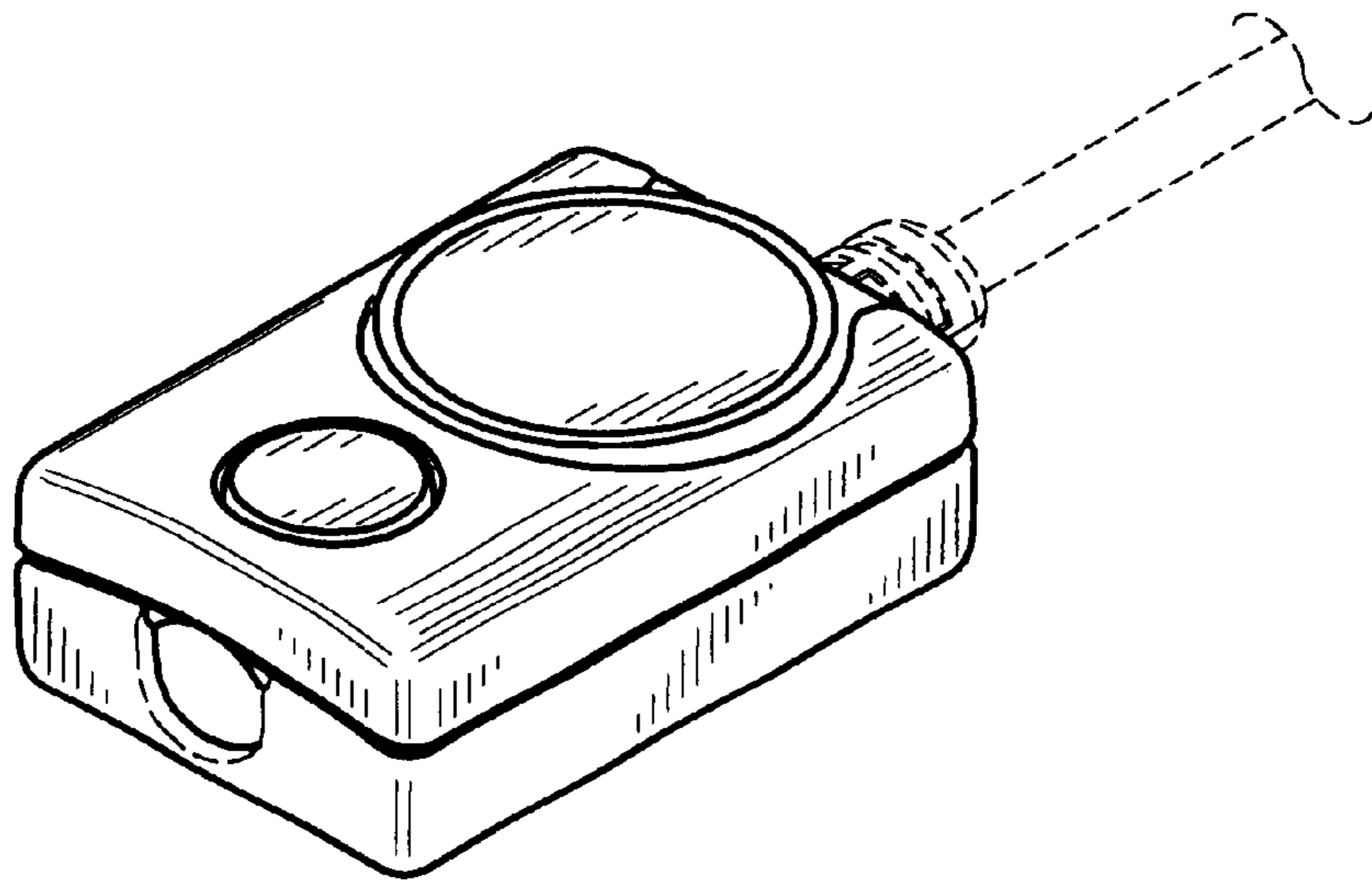


FIG. 1

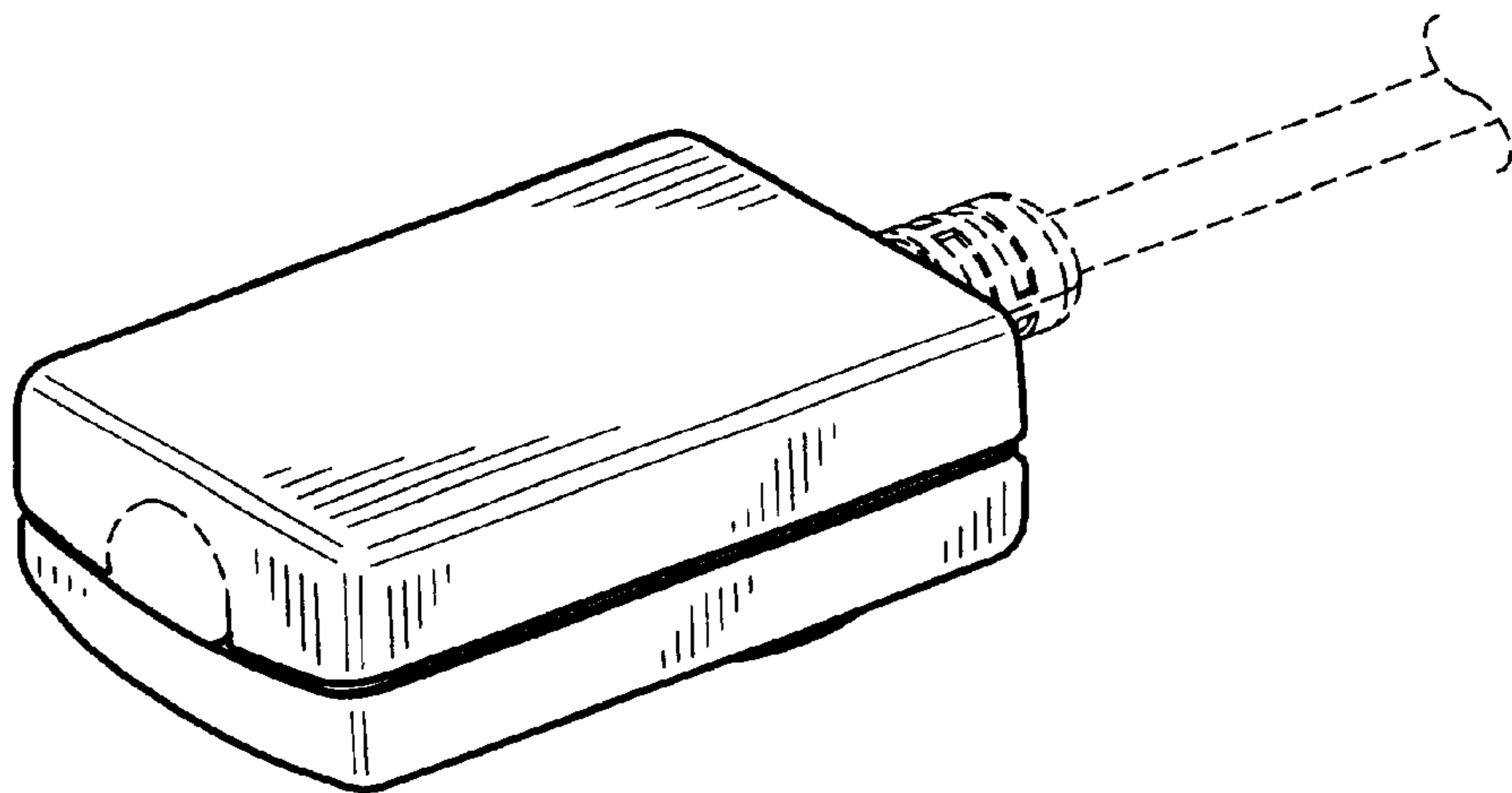


FIG. 2

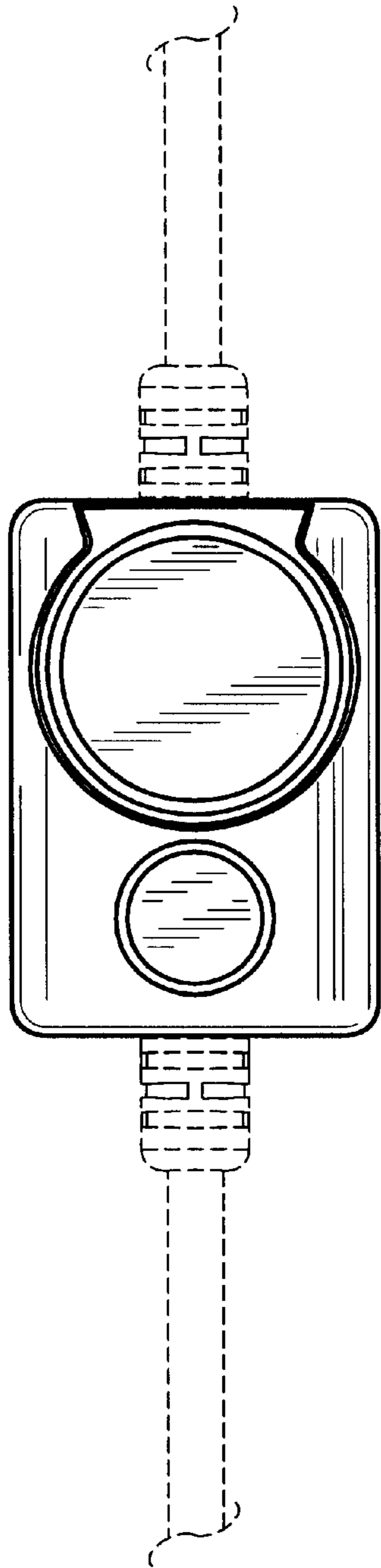


FIG. 3

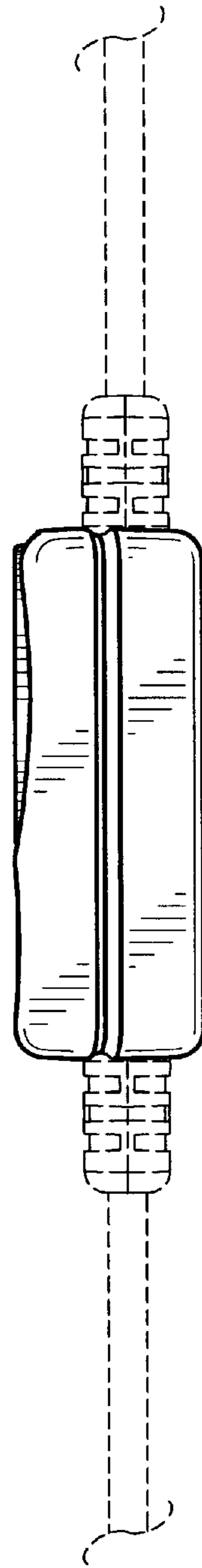


FIG. 4

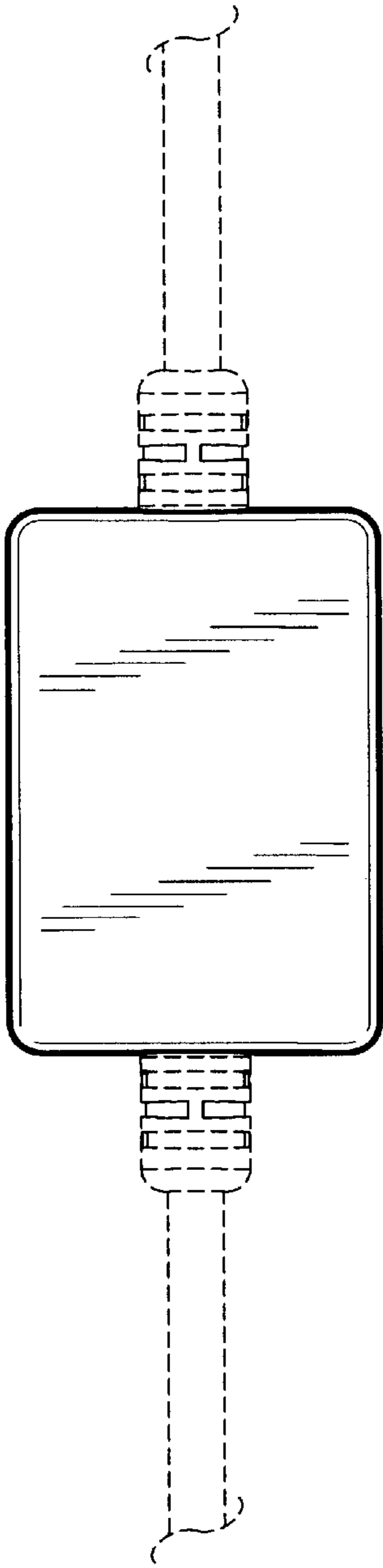


FIG. 5

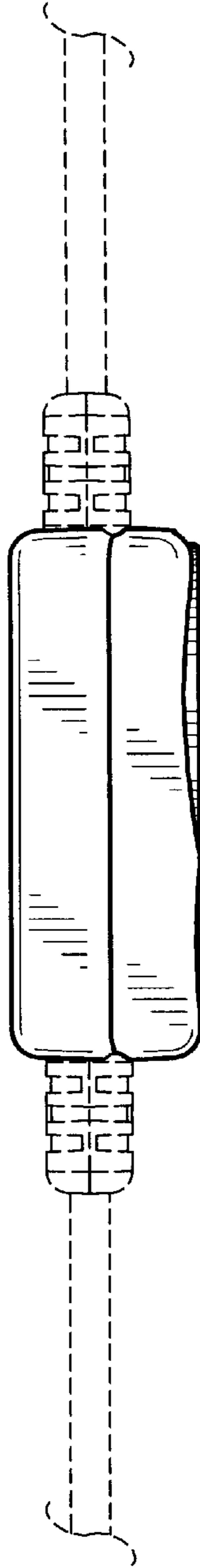


FIG. 6

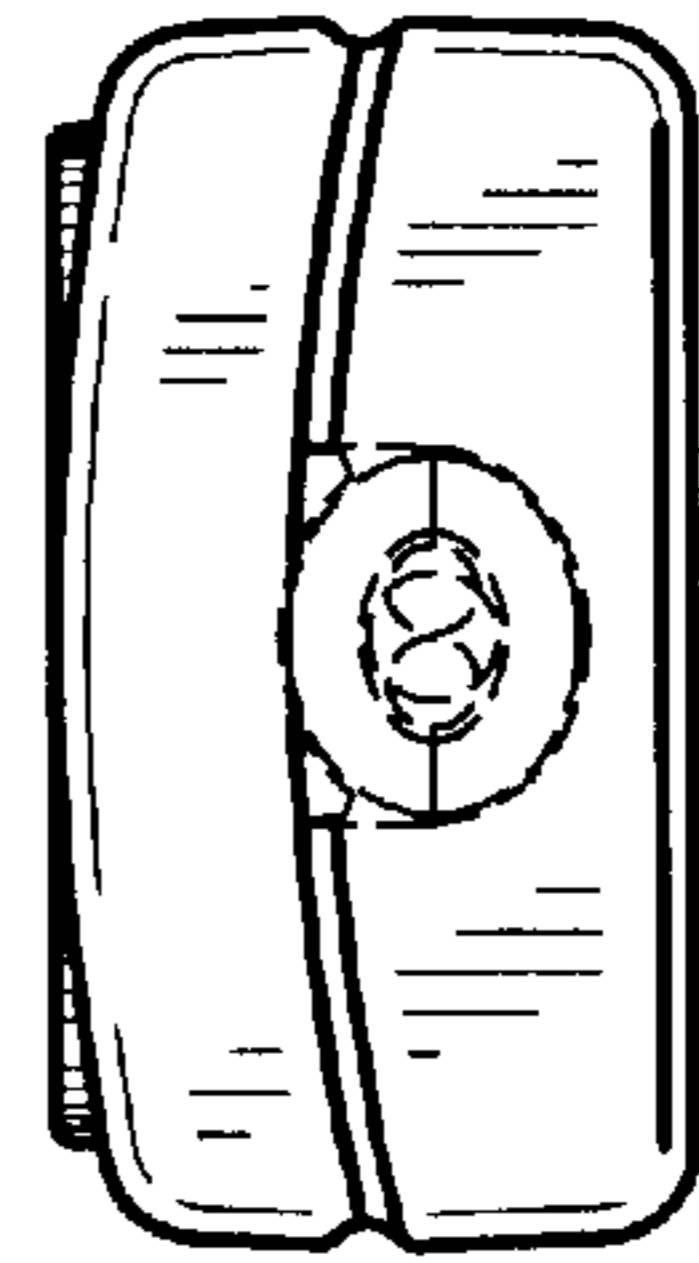


FIG. 7

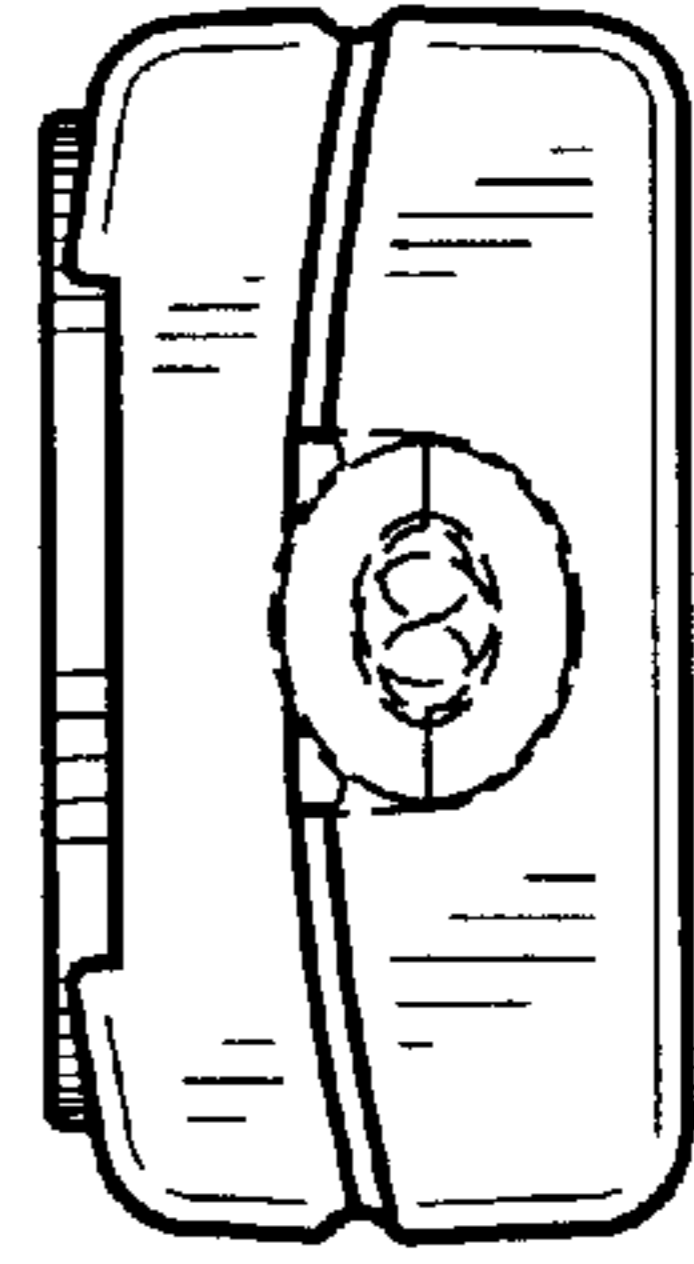


FIG. 8