



US00D486816S

(12) **United States Design Patent**
Nakajima et al.

(10) **Patent No.:** **US D486,816 S**

(45) **Date of Patent:** **** Feb. 17, 2004**

(54) **AUDIO SIGNAL AMPLIFIER**

(75) Inventors: **Kazuhito Nakajima, Shizuoka (JP);
Takashi Akiyama, Shizuoka (JP)**

(73) Assignee: **Yamaha Corporation, Shizuoka (JP)**

(**) Term: **14 Years**

(21) Appl. No.: **29/182,427**

(22) Filed: **May 28, 2003**

(30) **Foreign Application Priority Data**

Dec. 16, 2002 (JP) 2002-034814

(51) **LOC (7) Cl.** **14-03**

(52) **U.S. Cl.** **D14/169; D14/188**

(58) **Field of Search** D14/168, 169,
D14/188, 197, 496, 198, 193, 157, 265,
299; 455/344-347, 350, 351; 369/11

(56) **References Cited**

U.S. PATENT DOCUMENTS

D271,694 S * 12/1983 Nomura et al. D14/197
4,676,619 A * 6/1987 Woolley 455/344
D319,060 S * 8/1991 Rashak D14/188

D327,682 S * 7/1992 Shimazu D14/168
5,285,500 A * 2/1994 Mantz 455/346
D409,194 S * 5/1999 Ridinger D14/188
D422,589 S * 4/2000 Jeon D14/188
D435,034 S * 12/2000 Tejima D14/188
D451,084 S * 11/2001 Su D14/188
D478,564 S * 8/2003 Rizzi D14/188

* cited by examiner

Primary Examiner—Prabhakar Deshmukh

(74) *Attorney, Agent, or Firm*—Sughrue Mion, PLLC

(57) **CLAIM**

The ornamental design for an audio signal amplifier, as shown.

DESCRIPTION

FIG. 1 is a perspective view of the top, front and right side of an audio signal amplifier showing our new design; FIG. 2 is a front elevational view thereof; FIG. 3 is a rear elevational view thereof; FIG. 4 is a right side elevational view thereof; FIG. 5 is a left side elevational view thereof; FIG. 6 is a top plan view thereof; and, FIG. 7 is a bottom plan view thereof.

1 Claim, 4 Drawing Sheets

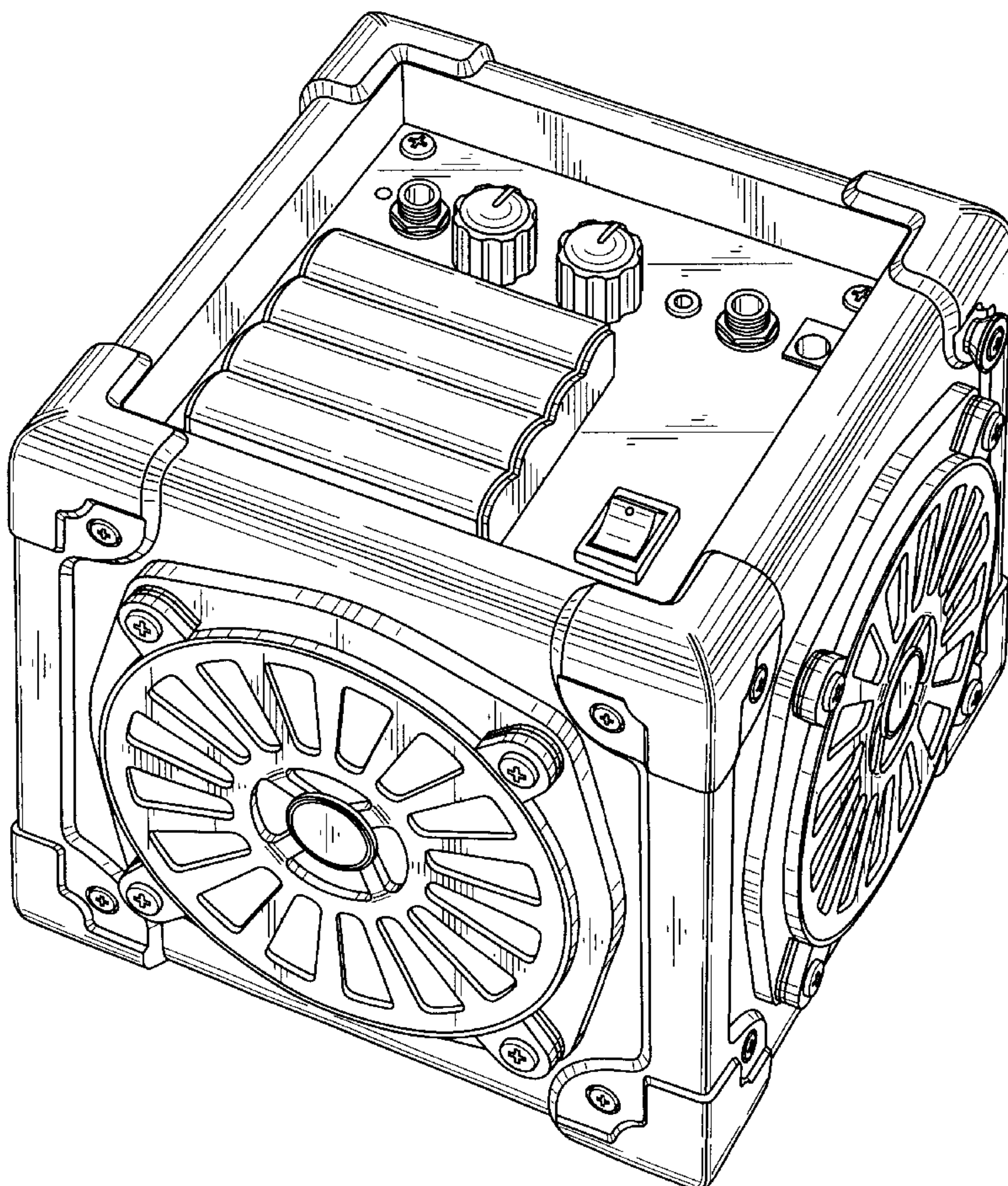


FIG. 1

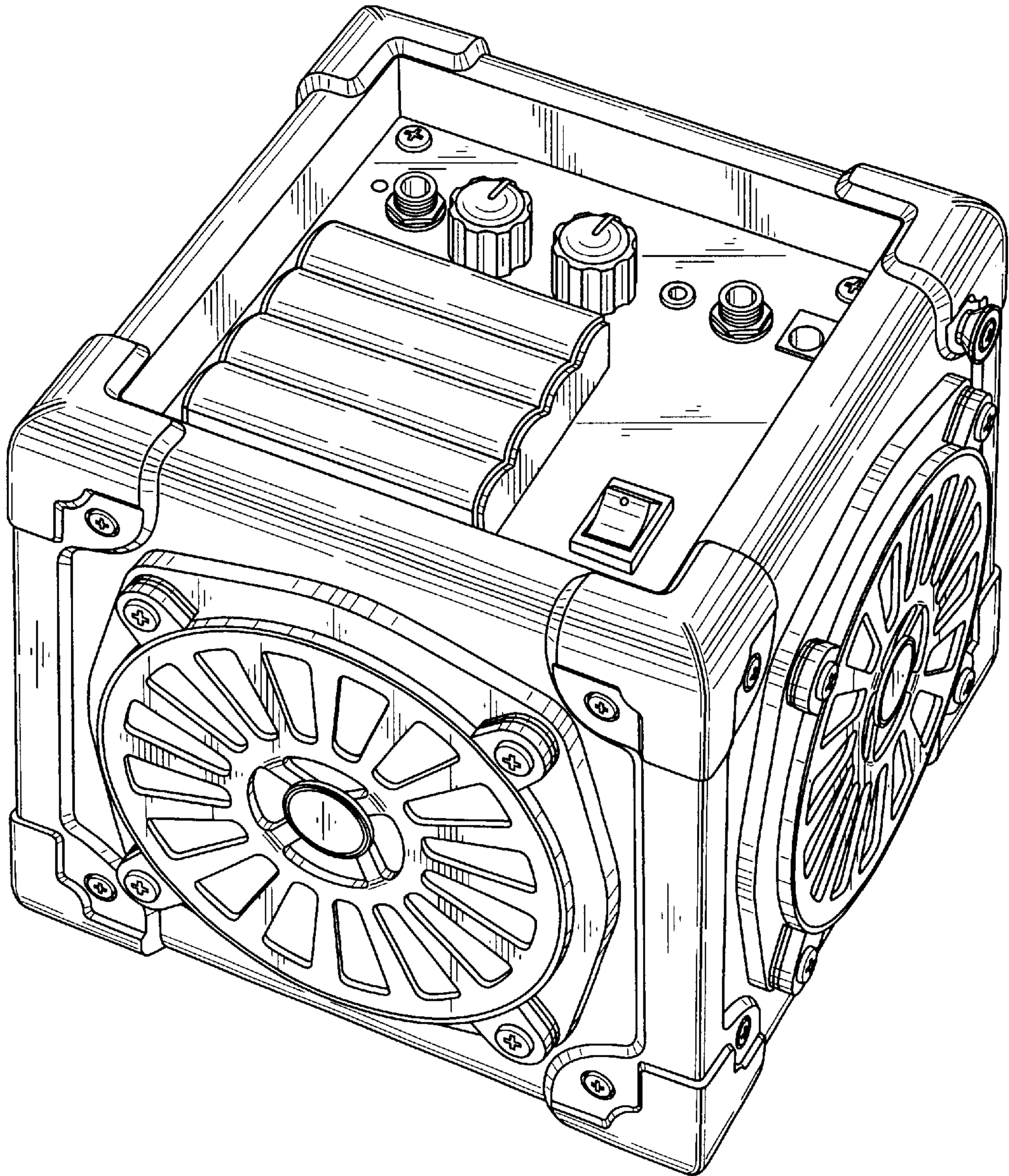


FIG. 2

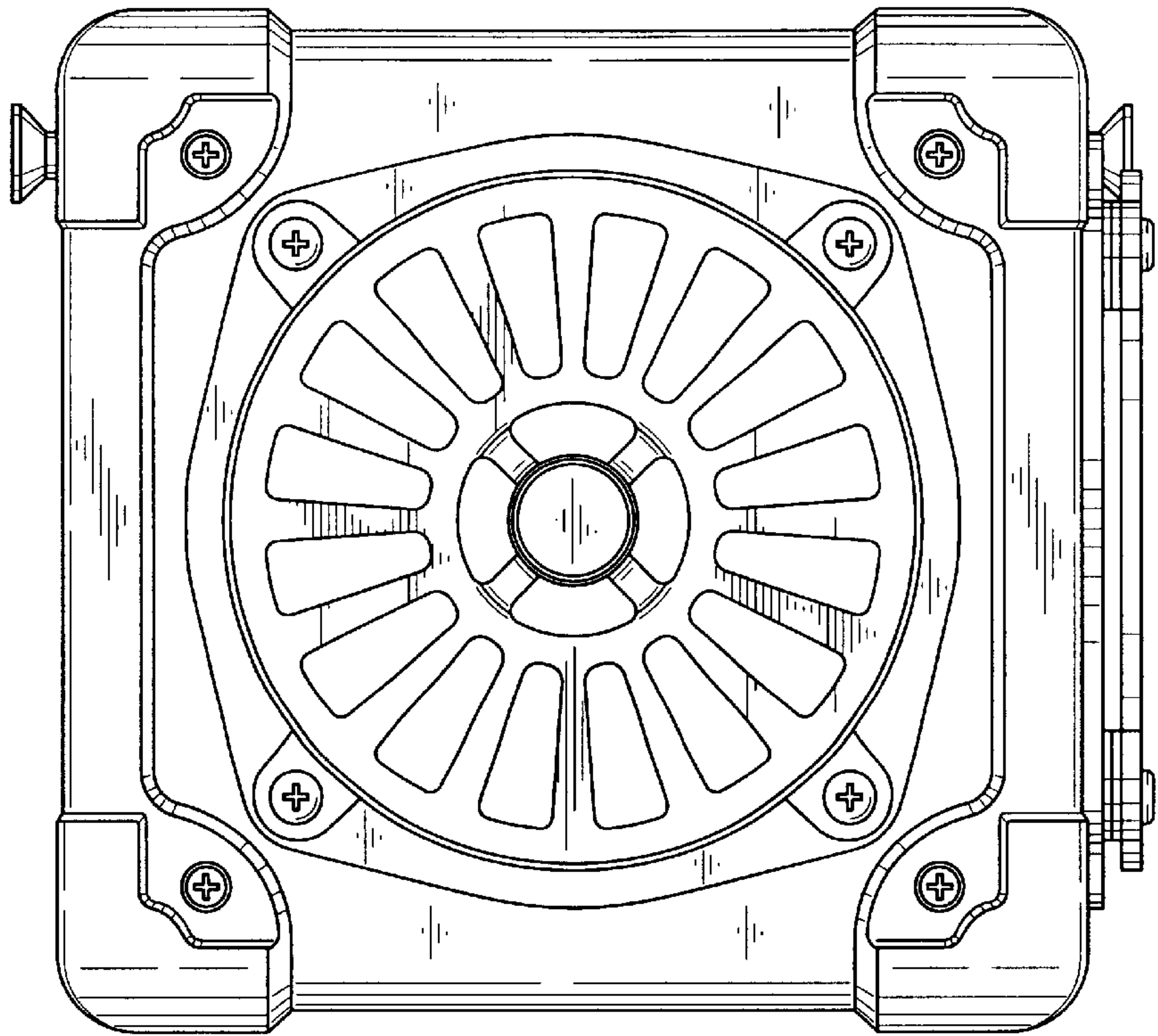


FIG. 3

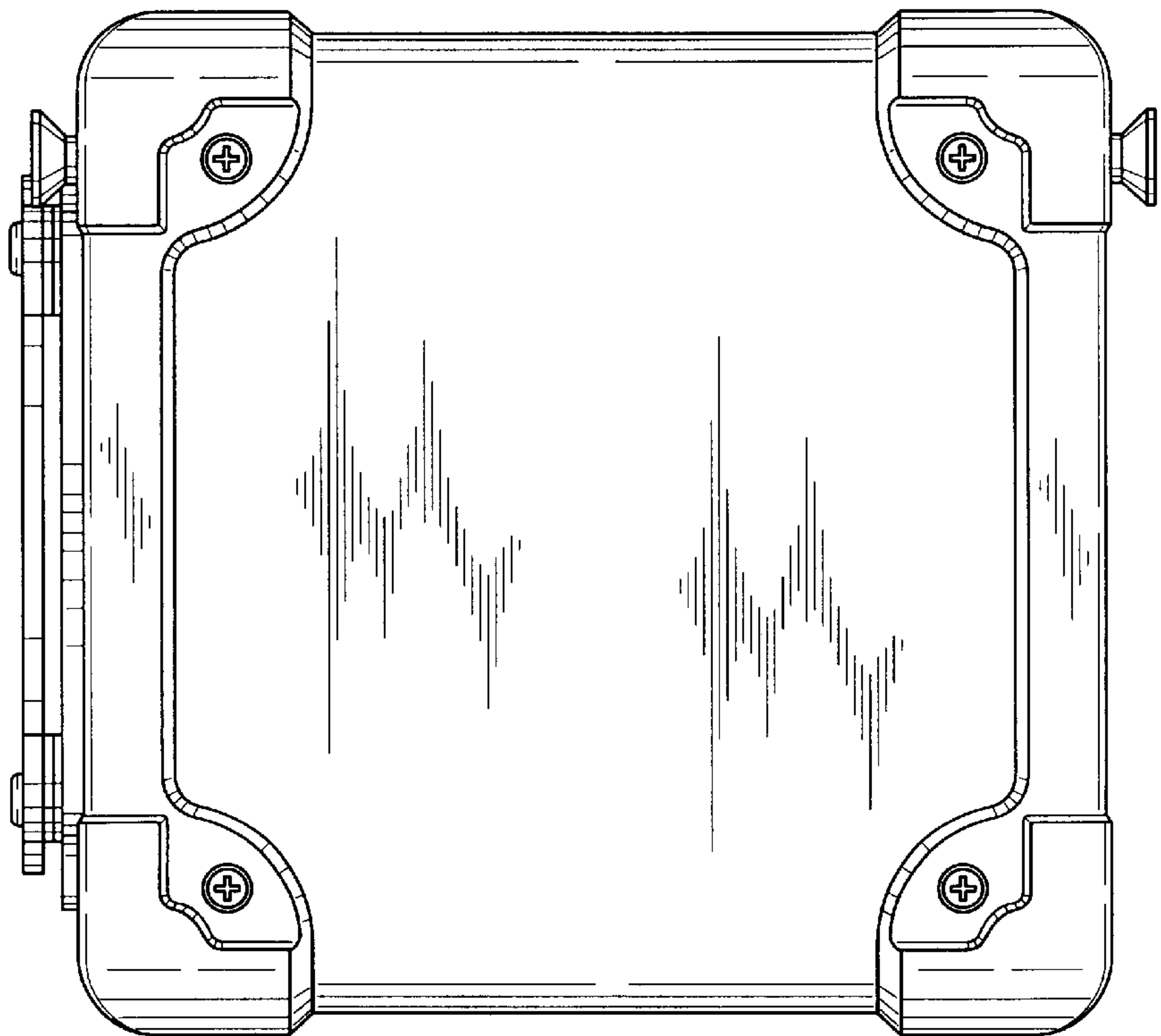


FIG. 4

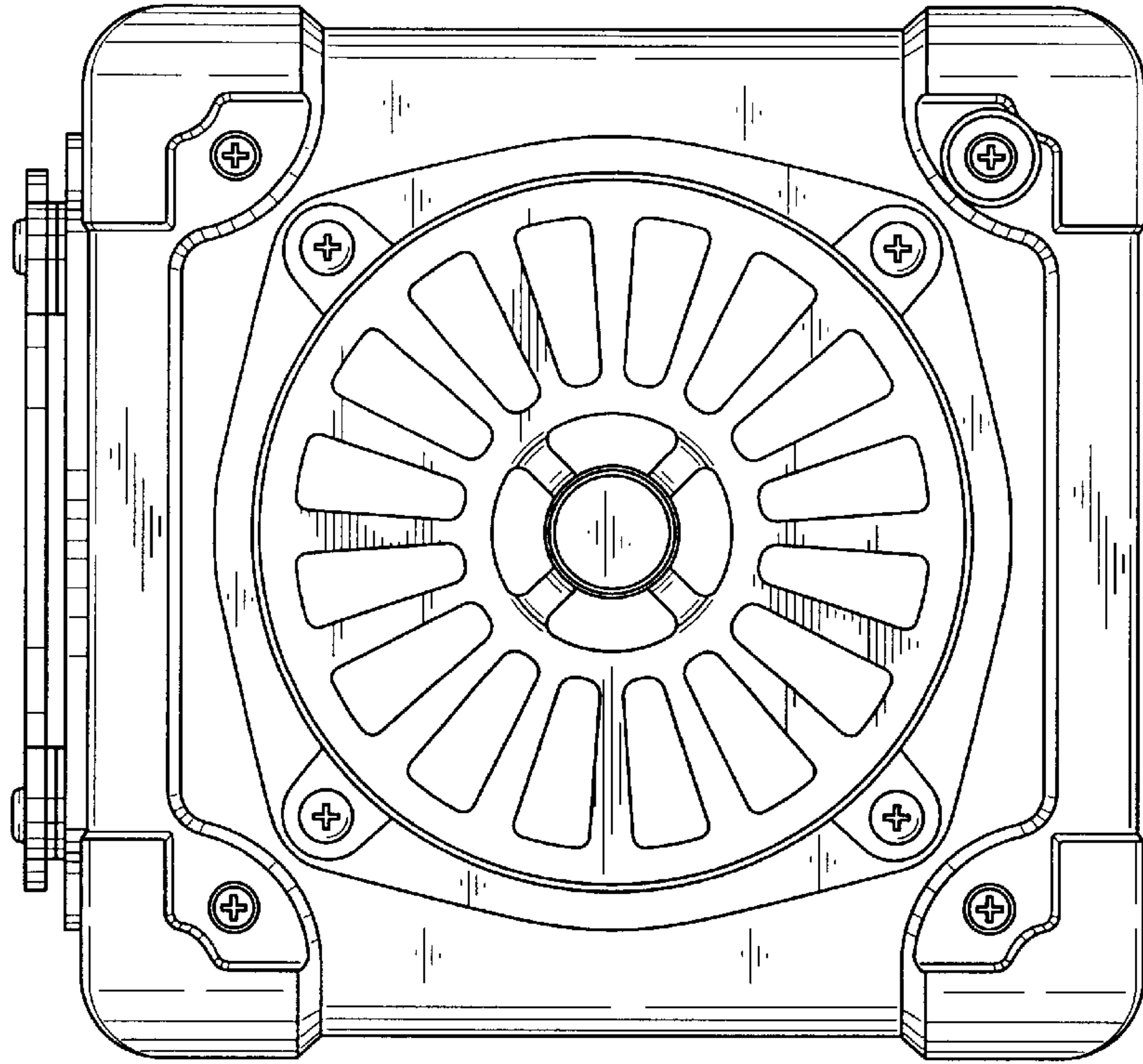


FIG. 5

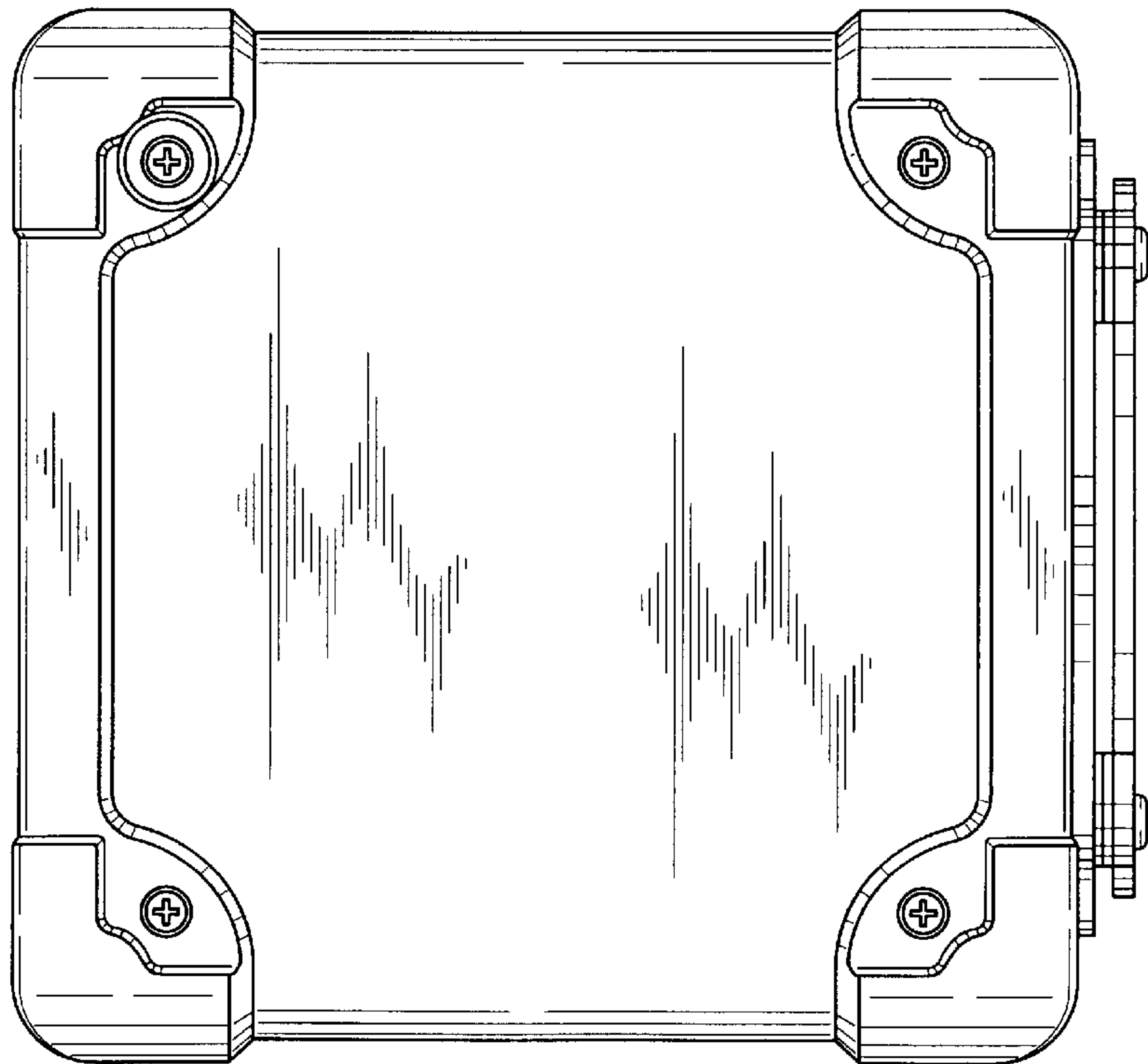


FIG. 6

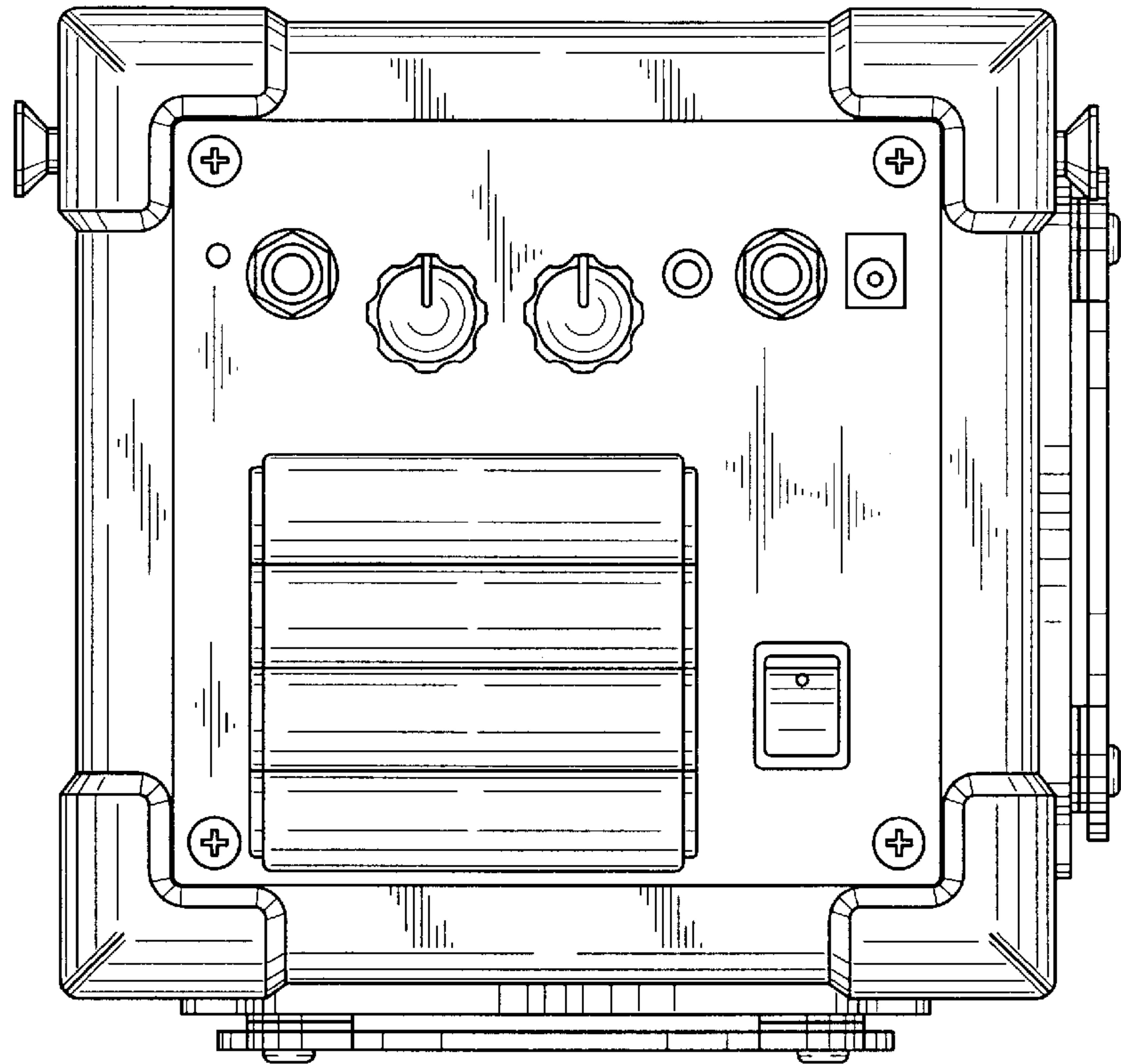


FIG. 7

