



US00D486813S

(12) **United States Design Patent**
Chun

(10) **Patent No.:** **US D486,813 S**

(45) **Date of Patent:** **** Feb. 17, 2004**

(54) **MP3 PLAYER**

(75) **Inventor:** **Jin-Yong Chun, Seoul (KR)**

(73) **Assignee:** **Bluetek Co., Ltd., Gyunggi-do (KR)**

(**) **Term:** **14 Years**

(21) **Appl. No.:** **29/178,744**

(22) **Filed:** **Mar. 31, 2003**

(30) **Foreign Application Priority Data**

Jan. 21, 2003 (KR) 30-2003-0001601

(51) **LOC (7) Cl. 14-01**

(52) **U.S. Cl. D14/156**

(58) **Field of Search** D14/135-136,
D14/156-157, 160-164, 167-168, 188,
193-198, 257-258, 265; 362/26-27, 86,
253; 369/6-7, 75.1, 75.2, 77.1, 77.2; 455/344,
347, 350-351

(56) **References Cited**

U.S. PATENT DOCUMENTS

D315,159 S * 3/1991 Hino D14/163
D405,082 S * 2/1999 Shibata D14/156
D412,504 S * 8/1999 Renk D14/156

D415,757 S * 10/1999 Takahashi et al. D14/156

D430,551 S * 9/2000 Shiono D14/156

D469,109 S * 1/2003 Andre et al.

D472,245 S * 3/2003 Andre et al.

* cited by examiner

Primary Examiner—Nanda Bondade

(74) *Attorney, Agent, or Firm*—Alston & Bird LLP

(57) **CLAIM**

The ornamental design for the MP3 player, as shown and described.

DESCRIPTION

FIG. 1 is a perspective view of the design of a MP3 player; FIG. 2 is a front side elevational view of the design of FIG. 1;

FIG. 3 is a rear side elevational view of the design of FIG. 1;

FIG. 4 is a left side elevational view of the design of FIG. 1;

FIG. 5 is a right side elevational view of the design of FIG. 1;

FIG. 6 is a top plan view of the design of FIG. 1; and,

FIG. 7 is a bottom plan view of the design of FIG. 1.

1 Claim, 5 Drawing Sheets

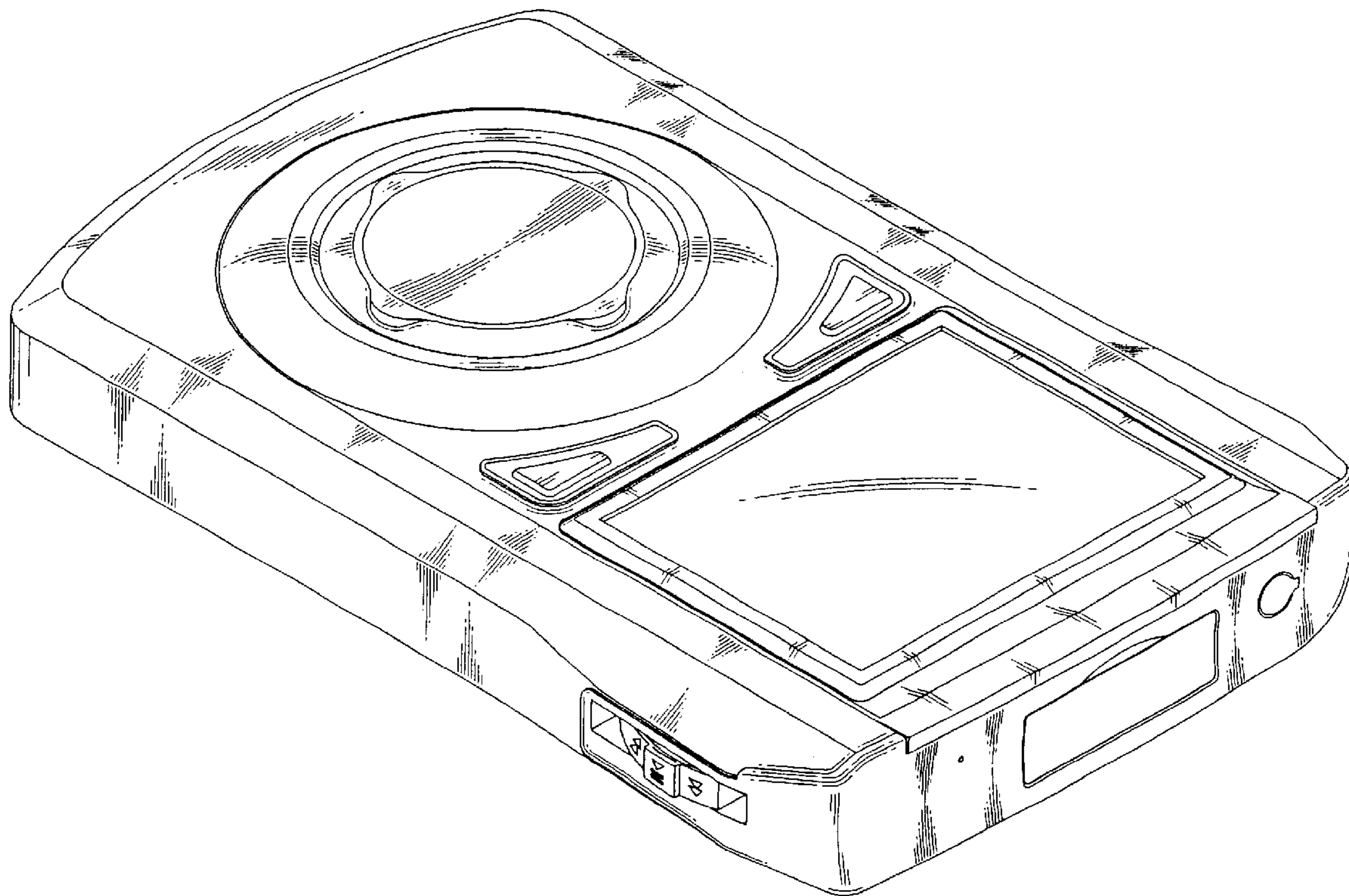


FIG. 1

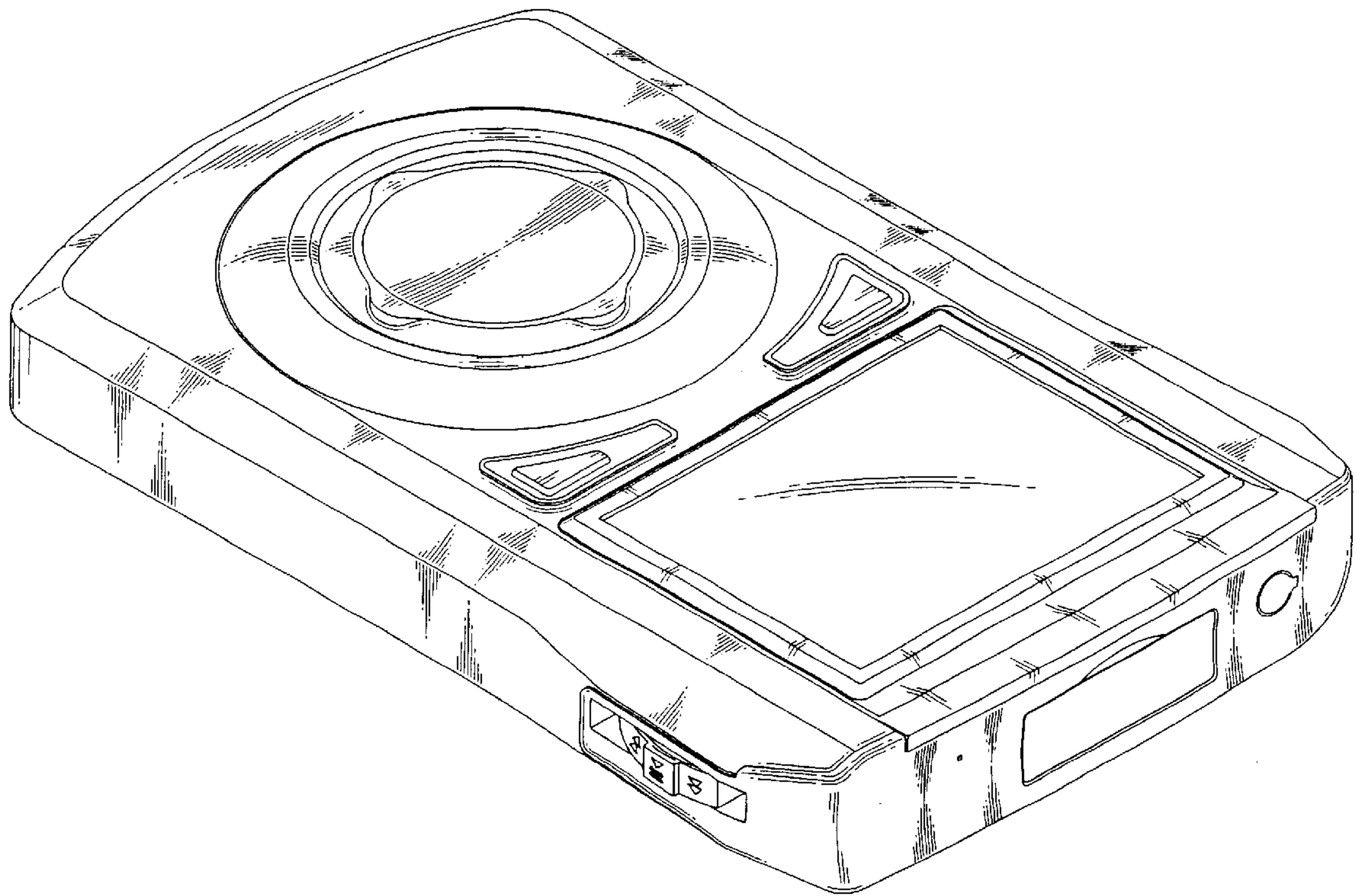


FIG. 2

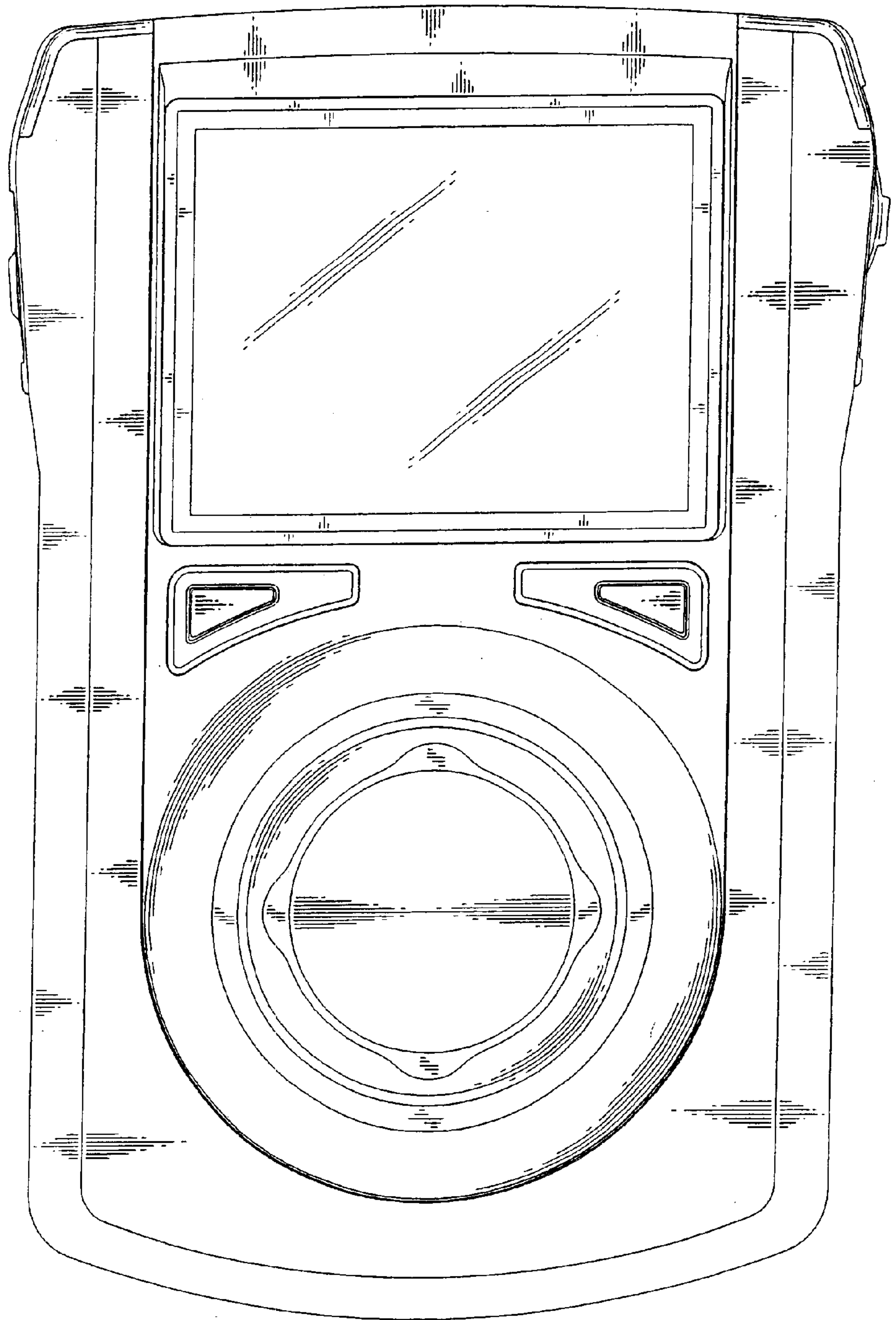


FIG. 3

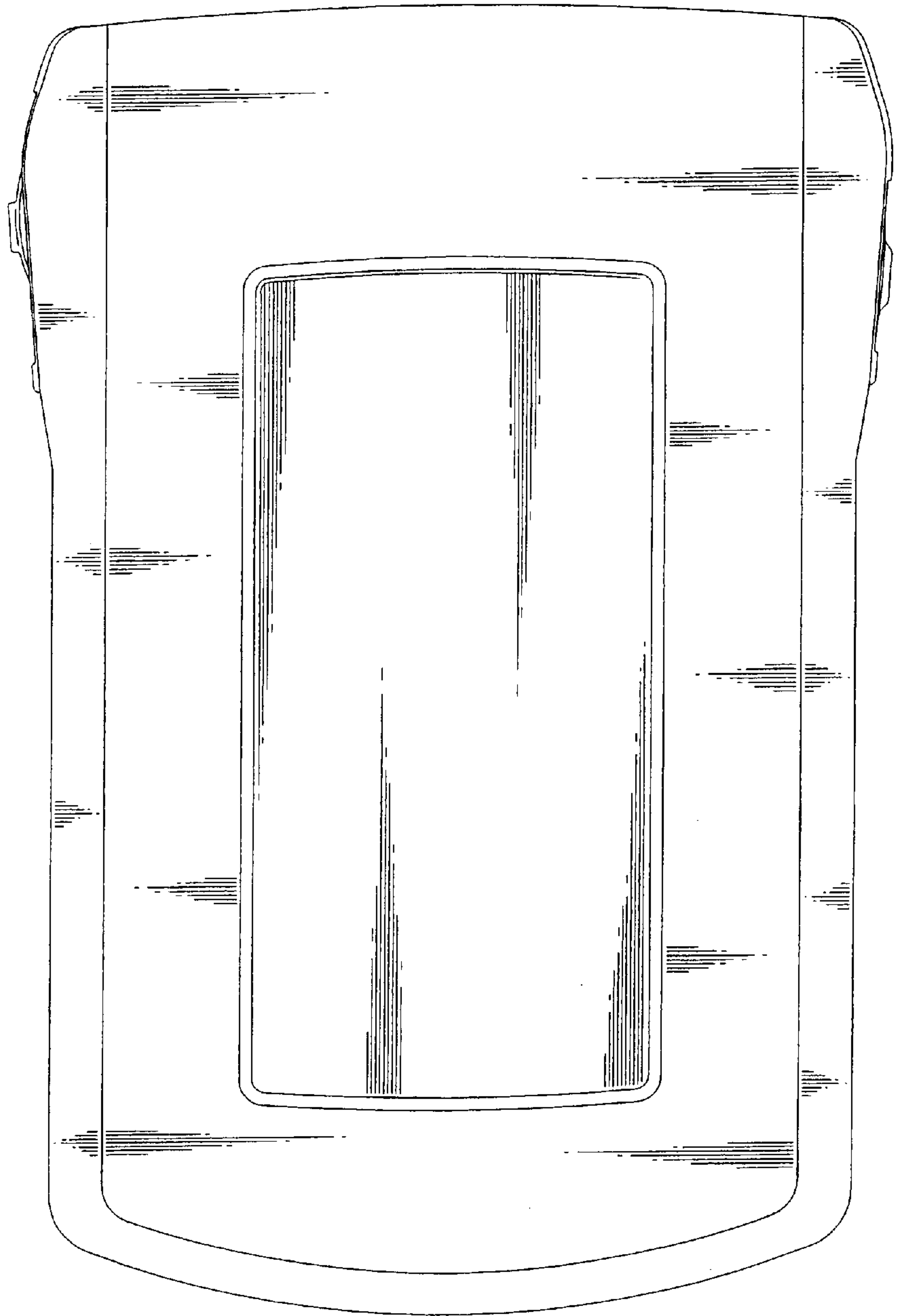


FIG. 4

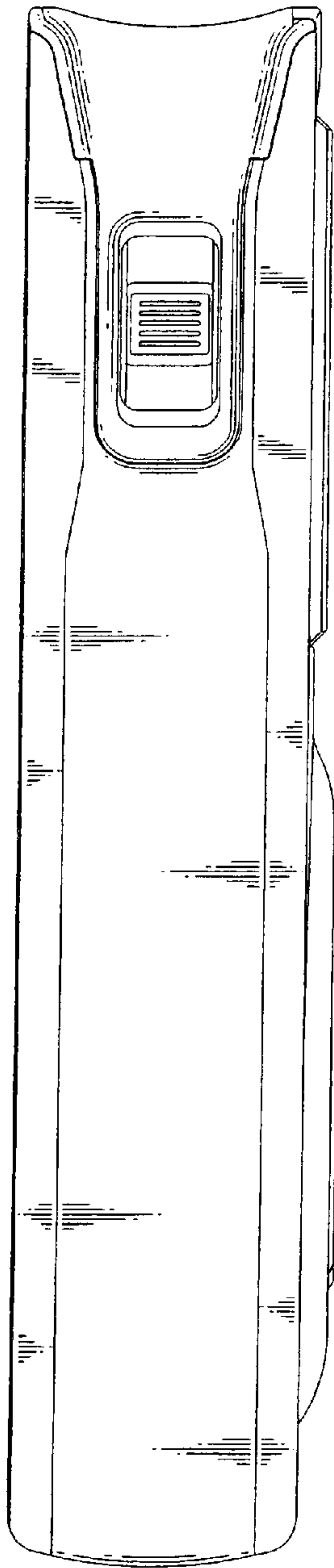


FIG. 5

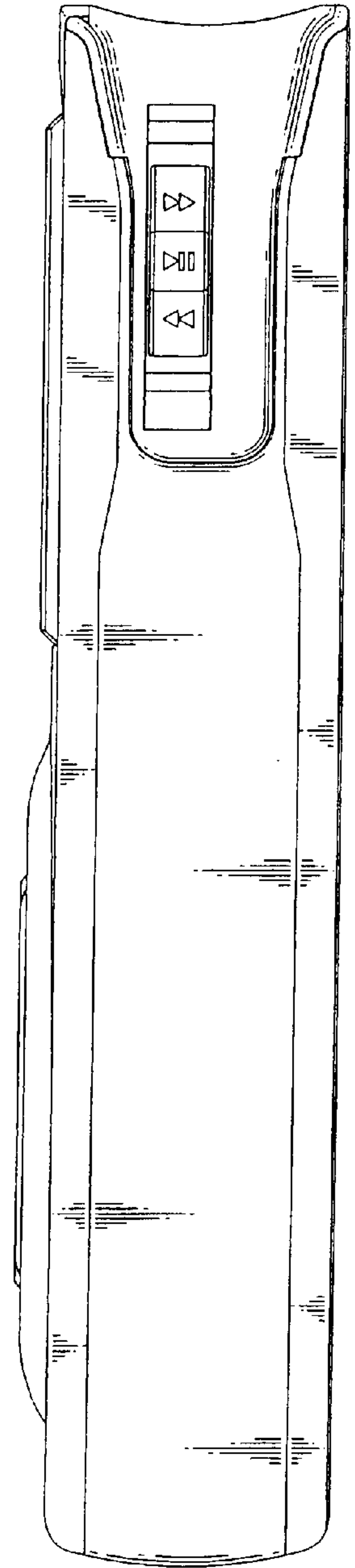


FIG. 6

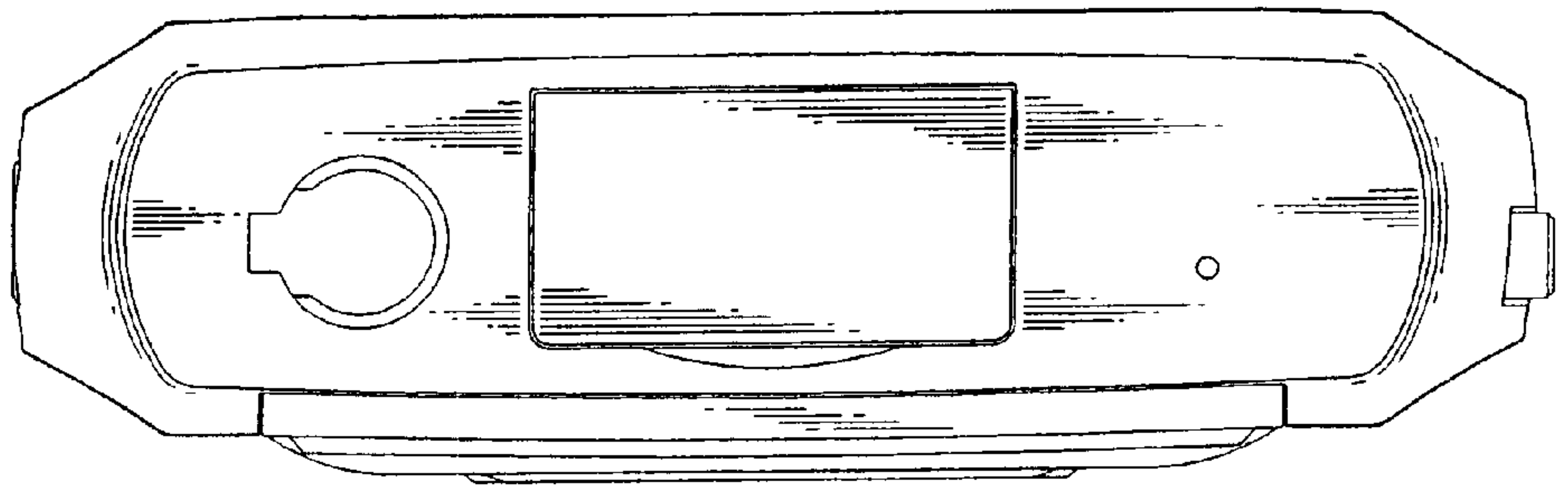


FIG. 7

