



US00D486806S

(12) **United States Design Patent**
Takayama et al.

(10) **Patent No.:** **US D486,806 S**

(45) **Date of Patent:** **** Feb. 17, 2004**

(54) **WIRELESS COMMUNICATIONS DEVICE**

(75) Inventors: **Steven R. Takayama**, Atherton, CA (US); **Thomas Overthun**, San Francisco, CA (US)

(73) Assignee: **Vocera Communications, Inc.**, Cupertino, CA (US)

(**) Term: **14 Years**

(21) Appl. No.: **29/154,247**

(22) Filed: **Oct. 19, 2001**

(51) **LOC (7) Cl.** **14-03**

(52) **U.S. Cl.** **D14/137**

(58) **Field of Search** D14/137, 138, D14/218, 147-148, 247-248, 338-340, 144, 240, 455, 456, 341-347, 246, 399, 426, 387, 429, 453, 197, 198, 189, 192, 193, 157, 194, 195, 196, 158; 379/433.01-433.13, 419, 434, 428.01-428.04, 420.01-420.04, 440, 368-370; 455/550.1-90.3; D21/517; 345/168, 169; D18/2, 7; D13/168

(56) **References Cited**

U.S. PATENT DOCUMENTS

D167,828 S	*	9/1952	Florac	D14/194
D241,854 S	*	10/1976	Noyes	D14/225
D303,528 S	*	9/1989	Scheid et al.	D14/191
D306,589 S	*	3/1990	Murayama	D14/165
D339,137 S	*	9/1993	Takeda	D14/218
D342,260 S	*	12/1993	Sakata	D14/218
D342,739 S	*	12/1993	Atkin et al.	D14/217
D346,152 S	*	4/1994	Zaugg	D13/168
D346,171 S	*	4/1994	Ratcliffe	D14/248
D355,181 S	*	2/1995	Siddoway	D14/138
D355,895 S	*	2/1995	Soren et al.	D14/240
D358,394 S	*	5/1995	Dyas	D14/214
D358,816 S	*	5/1995	Scheid	D14/191
D366,262 S	*	1/1996	Inaba	D14/218
D373,318 S	*	9/1996	Berch et al.	D10/106
D378,678 S	*	4/1997	Tyneski et al.	D14/137
D385,207 S	*	10/1997	Urvoy	D10/104
D391,568 S	*	3/1998	Carlson	D14/138
D395,882 S	*	7/1998	Oross et al.	D14/137

D407,396 S	*	3/1999	Ogasawara	D14/138
D413,328 S	*	8/1999	Kazama	D14/218
D418,141 S	*	12/1999	Godette et al.	D14/218
D425,887 S	*	5/2000	Edwards et al.	D14/138
D427,583 S	*	7/2000	Kazama	D14/218
6,173,194 B1	*	1/2001	Vanttila	455/566
D446,554 S	*	8/2001	Gautieri et al.	D21/405
D454,869 S	*	3/2002	Becker et al.	D14/248
D457,149 S	*	5/2002	Arpe	D14/138
D460,059 S	*	7/2002	Chan	D14/147
D460,060 S	*	7/2002	Hughes et al.	D14/147
D464,034 S	*	10/2002	Arpe	D14/147
D467,911 S	*	12/2002	Lee	D14/243
D479,211 S	*	9/2003	Siddoway et al.	D14/137
2003/0020694 A1	*	1/2003	Kim et al.	345/169
2003/0045279 A1	*	3/2003	Shostak	455/422.1
2003/0073434 A1	*	4/2003	Shostak	455/426.1
2003/0090387 A1	*	5/2003	Lestienne et al.	340/825.49

* cited by examiner

Primary Examiner—Jeffrey Asch

(74) *Attorney, Agent, or Firm*—Gray Cary Ware & Freidenrich LLP

(57) **CLAIM**

I claim the ornamental design for a wireless communications device, as shown and described.

DESCRIPTION

FIG. 1 is a front view of a wireless communications device embodying the design.

FIG. 2 is plan view of the right side of the wireless communications device.

FIG. 3 is a back view of the wireless communications device.

FIG. 4 is a sectional view of the wireless communications device along sectional line A—A.

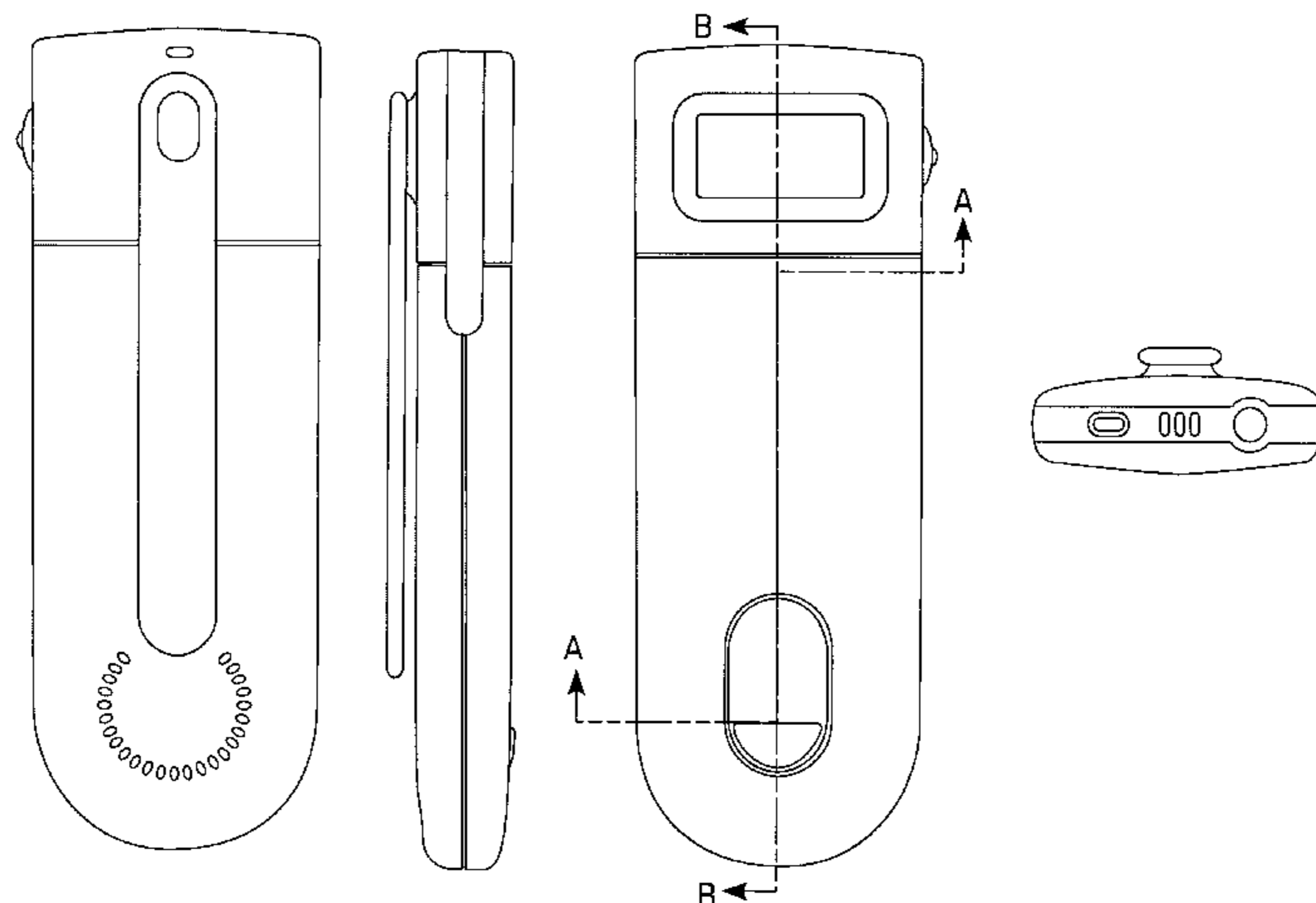
FIG. 5 is a sectional view of the wireless communications device along sectional line B—B.

FIG. 6 is a bottom view of the wireless communications device.

FIG. 7 is a top view of the wireless communications device; and,

FIG. 8 is plan view of the left side of the wireless communications device.

1 Claim, 2 Drawing Sheets



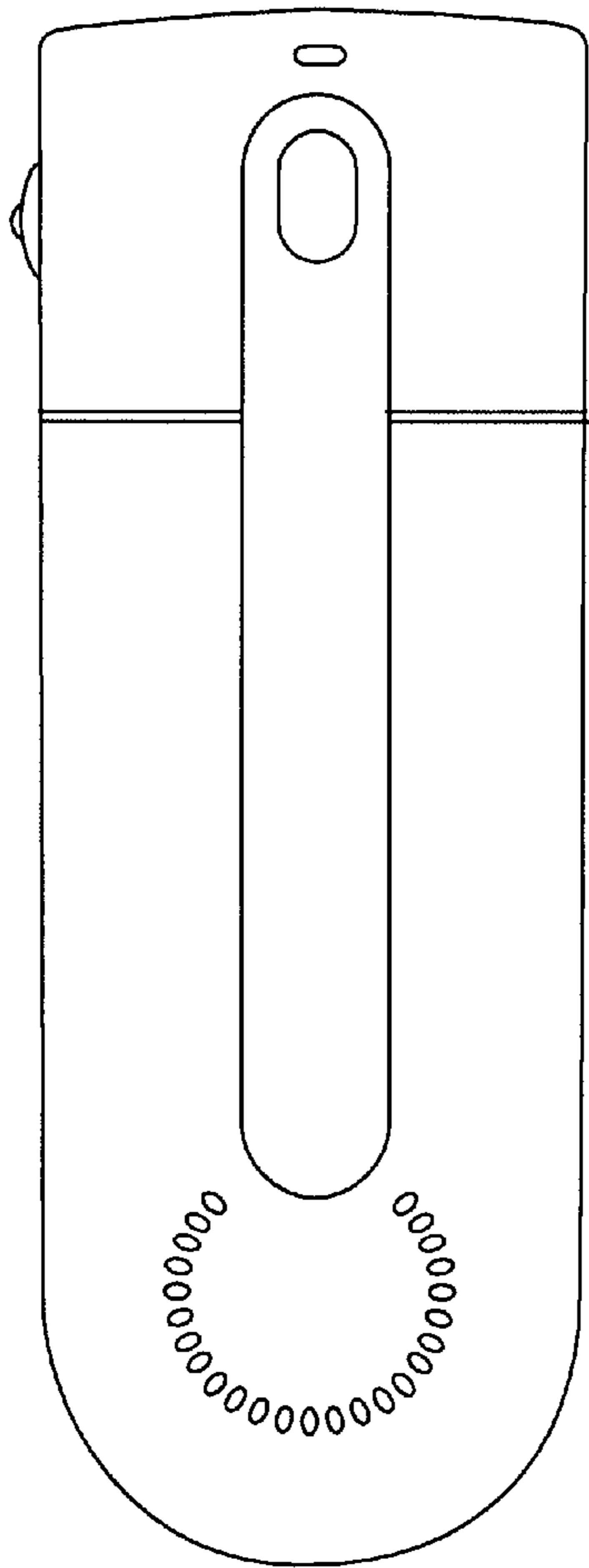


FIG. 1

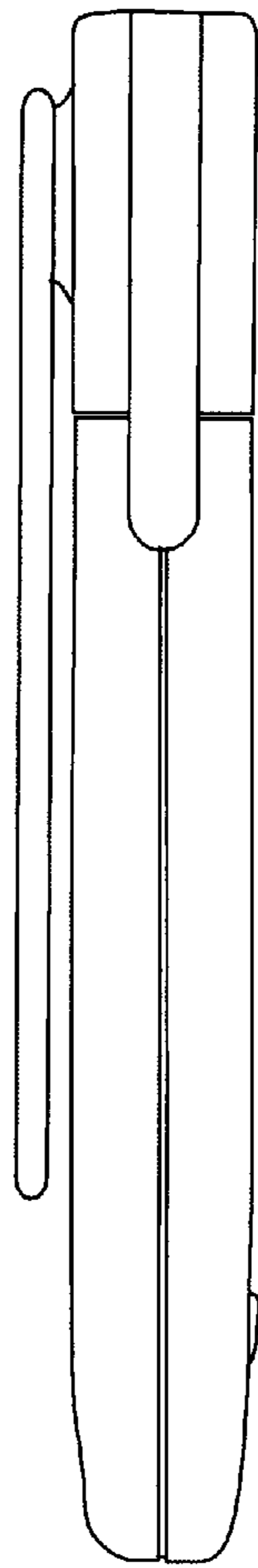


FIG. 2

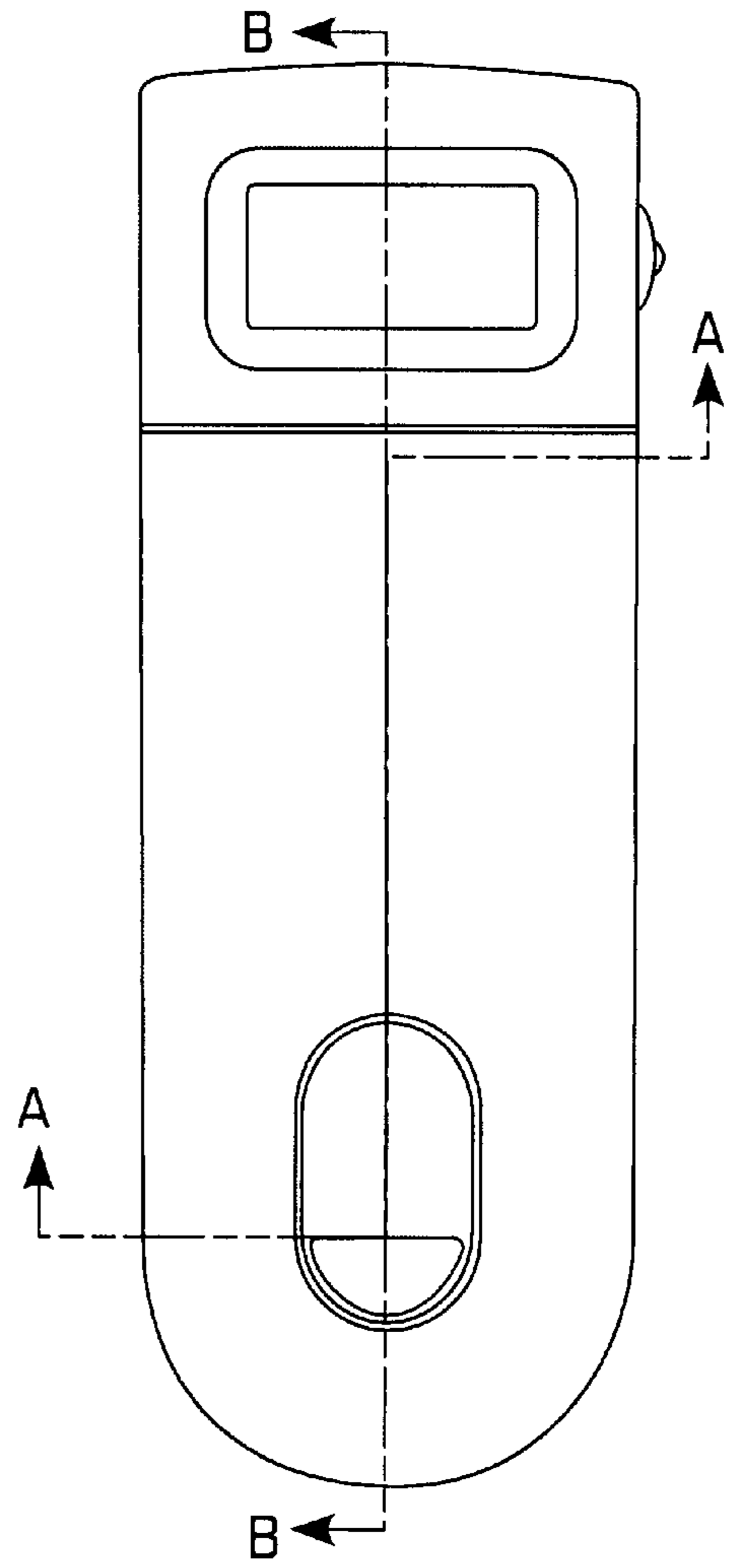


FIG. 3

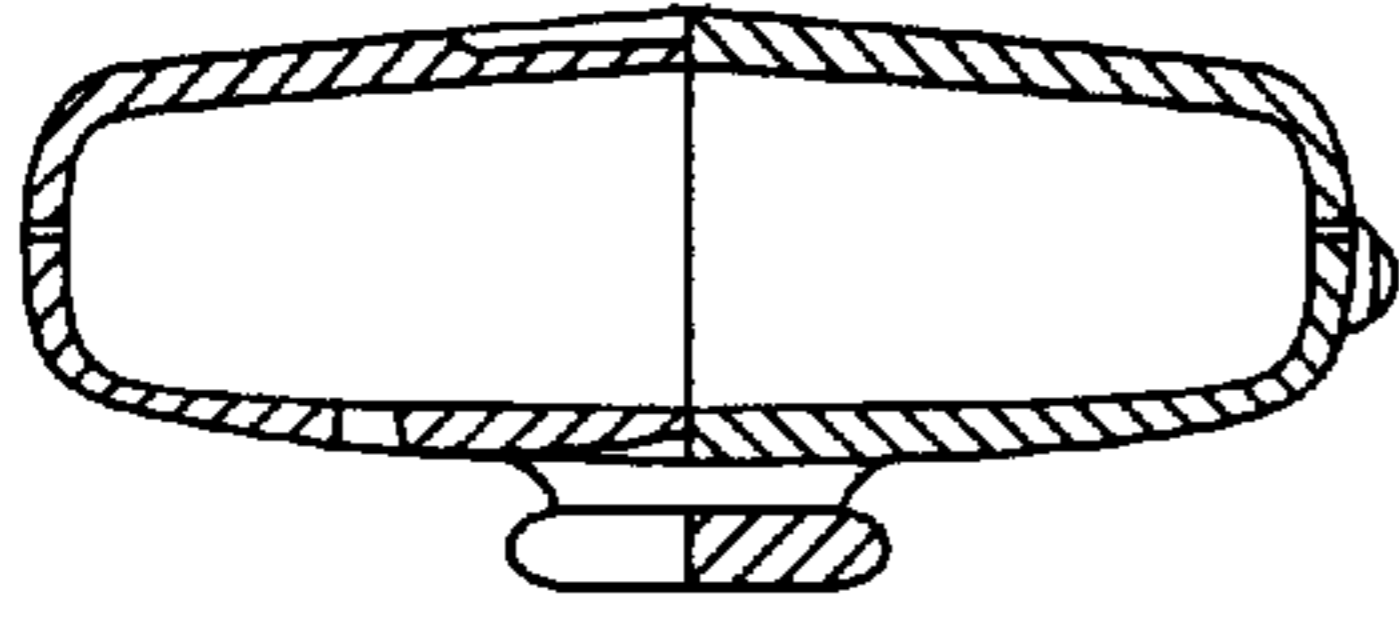


FIG. 4

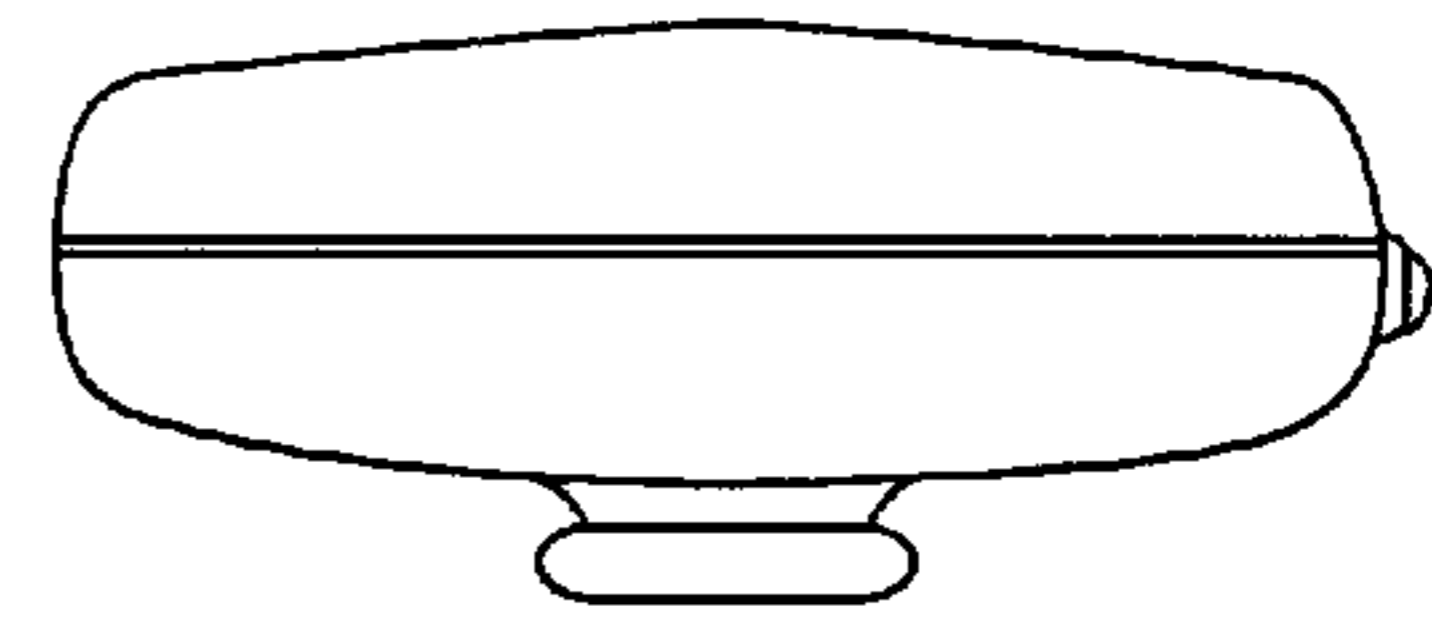


FIG. 6

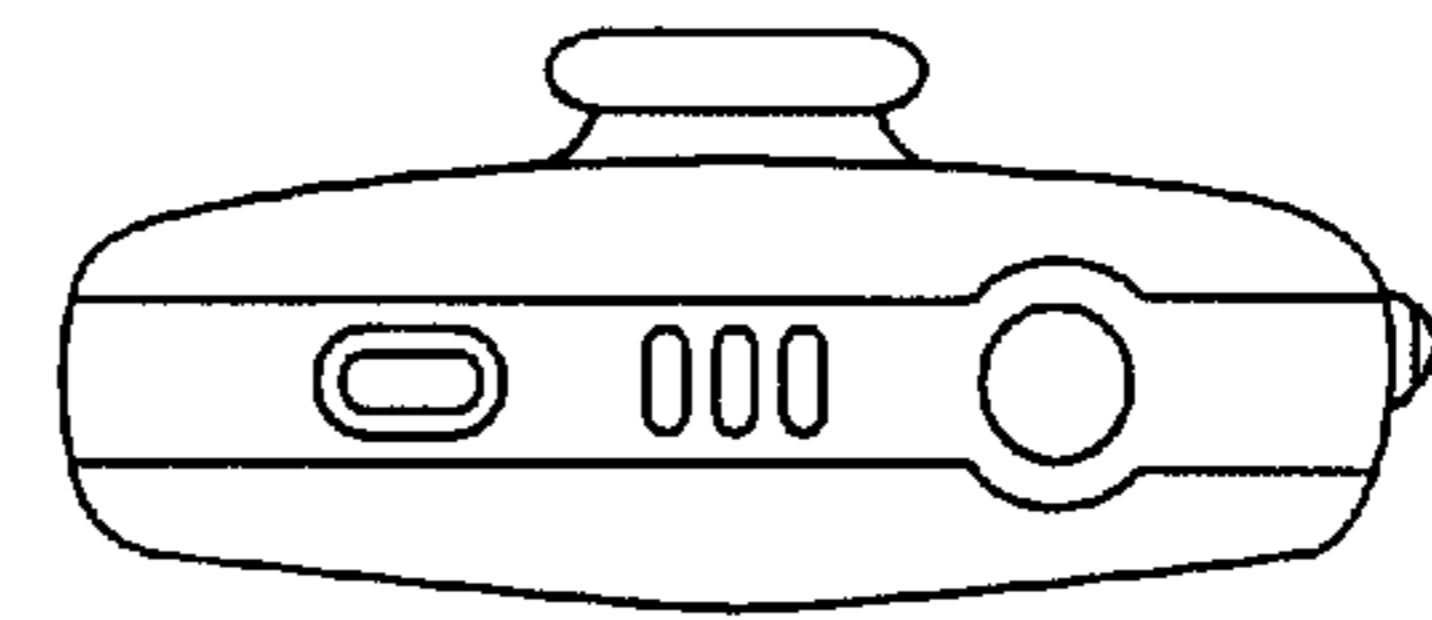


FIG. 7

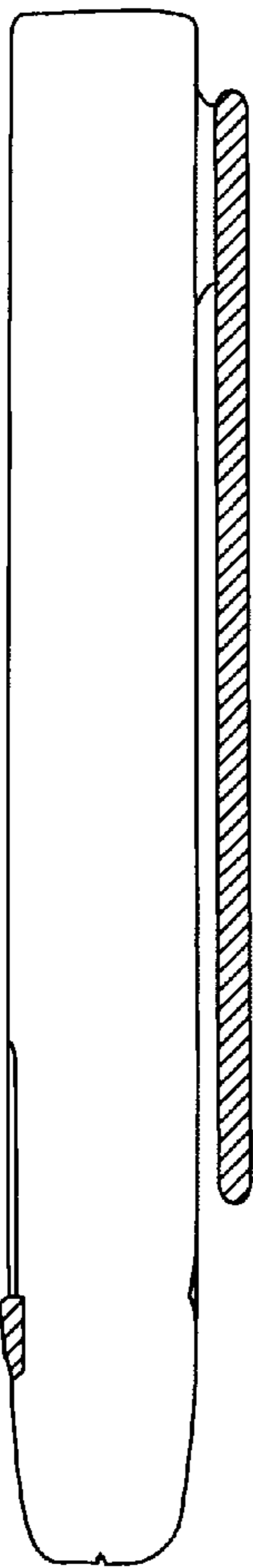


FIG. 5

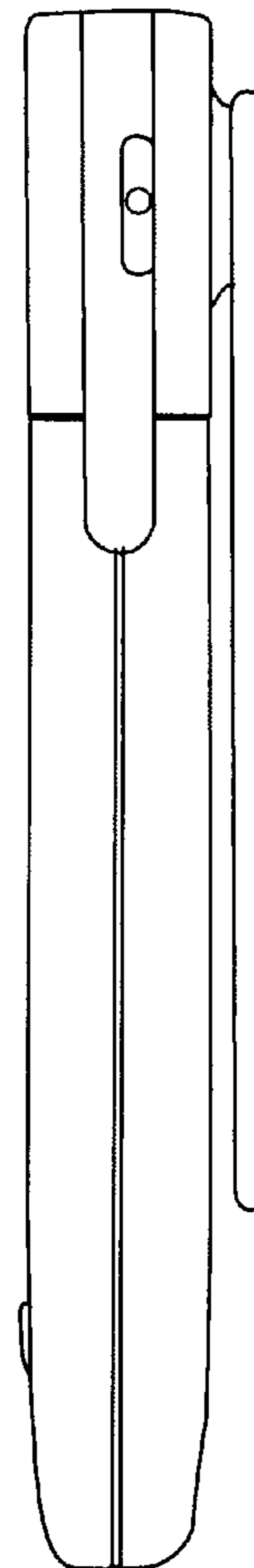


FIG. 8