



US00D486801S

(12) **United States Design Patent**
Suenaga

(10) **Patent No.:** **US D486,801 S**

(45) **Date of Patent:** **** Feb. 17, 2004**

(54) **LIGHT EMITTING DIODE**
(75) **Inventor:** **Ryoma Suenaga, Komatsushima (JP)**
(73) **Assignee:** **Nichia Corporation, Anan (JP)**
(**) **Term:** **14 Years**

5,266,817 A * 11/1993 Lin 257/89
RE36,614 E * 3/2000 Lumbar et al. 313/500
D432,095 S * 10/2000 Seeger et al. D13/182
D439,351 S * 3/2001 Kiba et al. D26/37

(21) **Appl. No.:** **29/169,617**
(22) **Filed:** **Oct. 24, 2002**

FOREIGN PATENT DOCUMENTS

JP D1046564 S 8/1999
JP D1146343 S 7/2002
JP D1146344 S 7/2002

(30) **Foreign Application Priority Data**
Sep. 26, 2002 (JP) 2002-026314
Sep. 26, 2002 (JP) 2002-026315

* cited by examiner

Primary Examiner—Philip S. Hyder
Assistant Examiner—Selina Sikder
(74) *Attorney, Agent, or Firm*—Smith Patent Office

(51) **LOC (7) Cl.** **13-03**
(52) **U.S. Cl.** **D13/182**
(58) **Field of Search** D13/182; D10/104,
D10/114; D26/2, 37; 257/88, 89, 93-96,
98, 99; 313/161, 499, 500; 345/39, 46,
82, 84; 362/183, 226, 241, 249, 250, 252,
287, 327, 555, 800; 372/43, 49; 438/113

(57) **CLAIM**

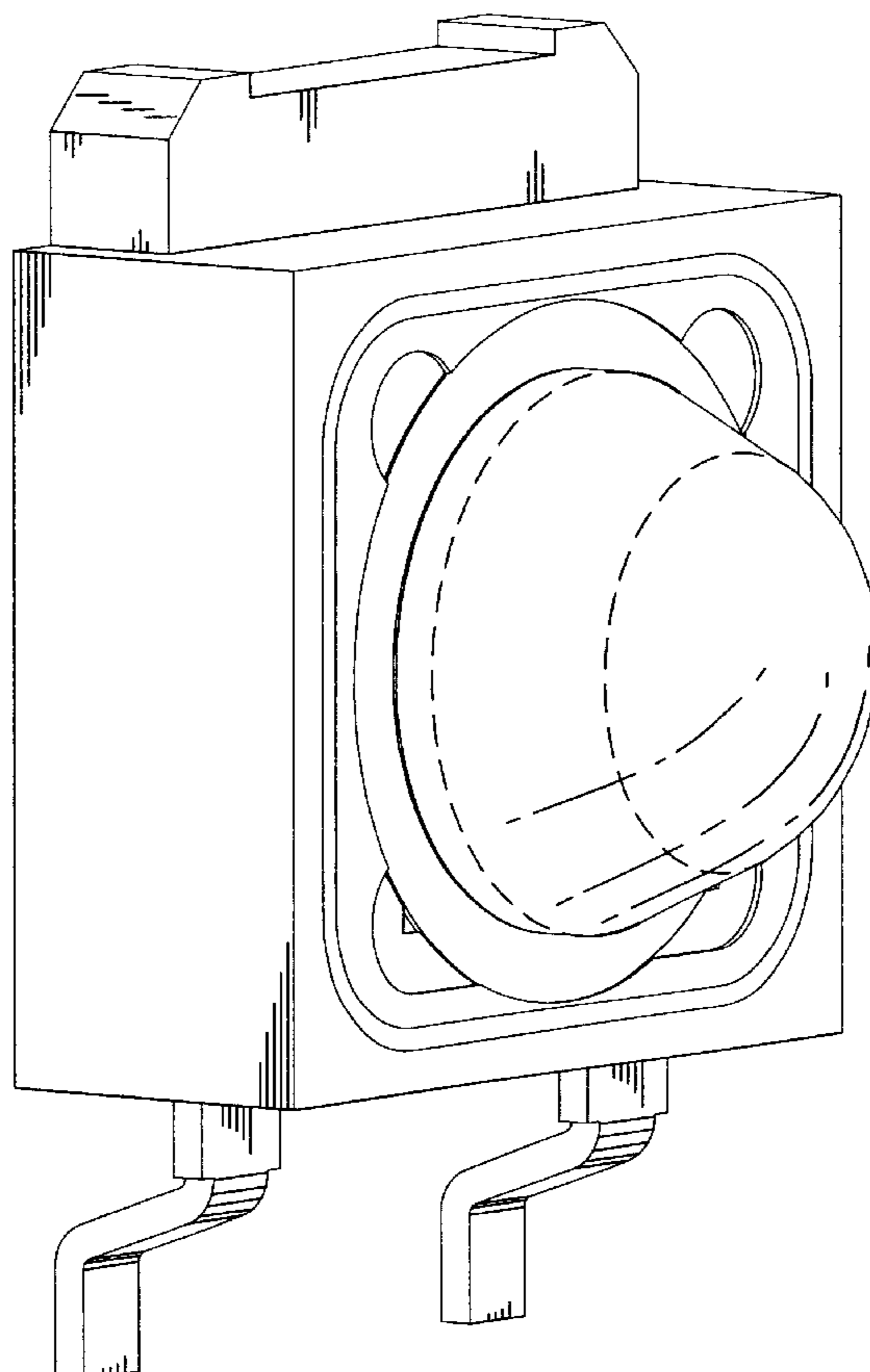
I claim the ornamental design for the light emitting diode, as shown and described.

(56) **References Cited**
U.S. PATENT DOCUMENTS
3,855,606 A * 12/1974 Schoberl 257/99
3,914,786 A * 10/1975 Grossi 257/98
4,152,624 A * 5/1979 Knaebel 313/499
D289,037 S * 3/1987 Nishizawa et al. D13/180

DESCRIPTION

FIG. 1 is a perspective view of the light emitting diode showing my new design;
FIG. 2 is a top plan view thereof;
FIG. 3 is a left side elevation view thereof;
FIG. 4 is a front elevation view thereof;
FIG. 5 is a right side elevation view thereof;
FIG. 6 is a rear elevation view thereof; and,
FIG. 7 is a bottom plan view.

1 Claim, 2 Drawing Sheets



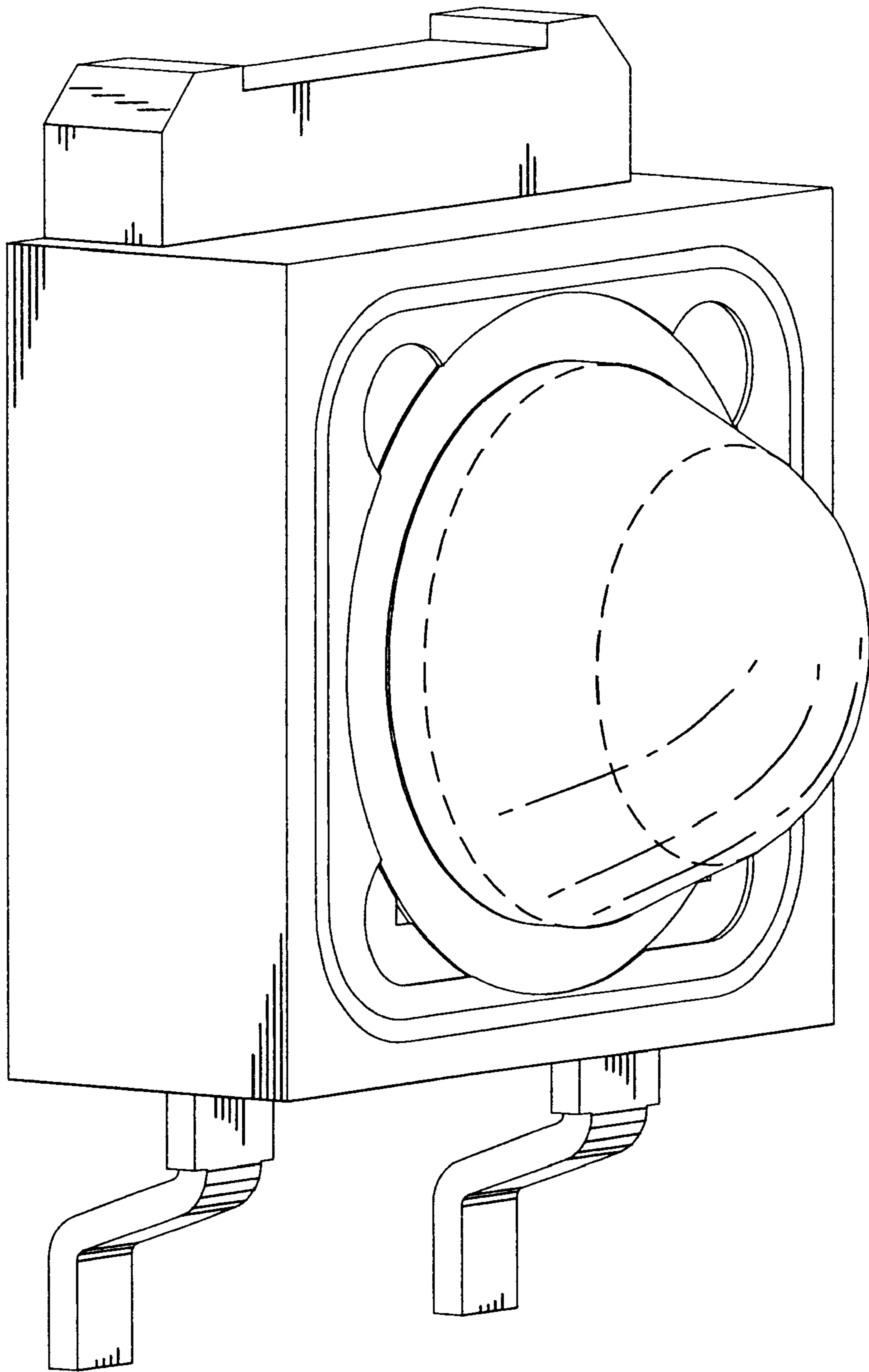


FIG. 1

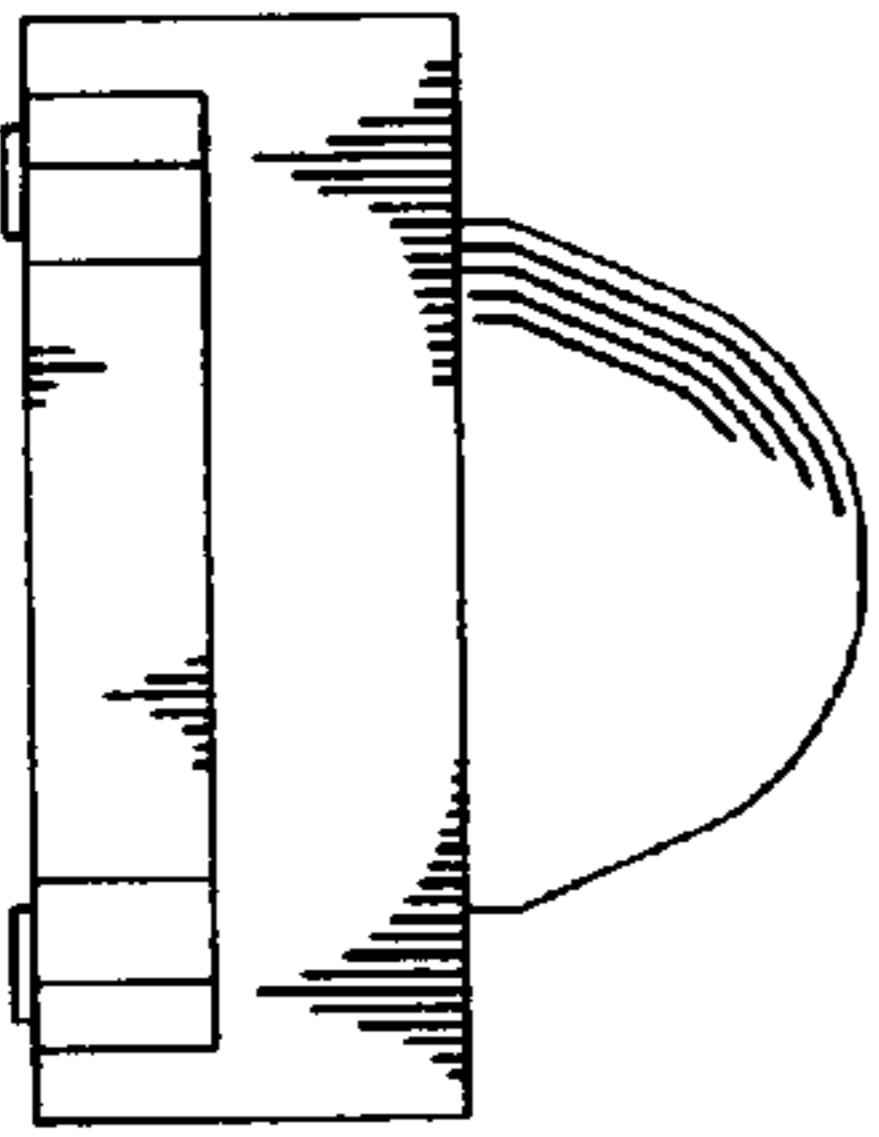


FIG. 2

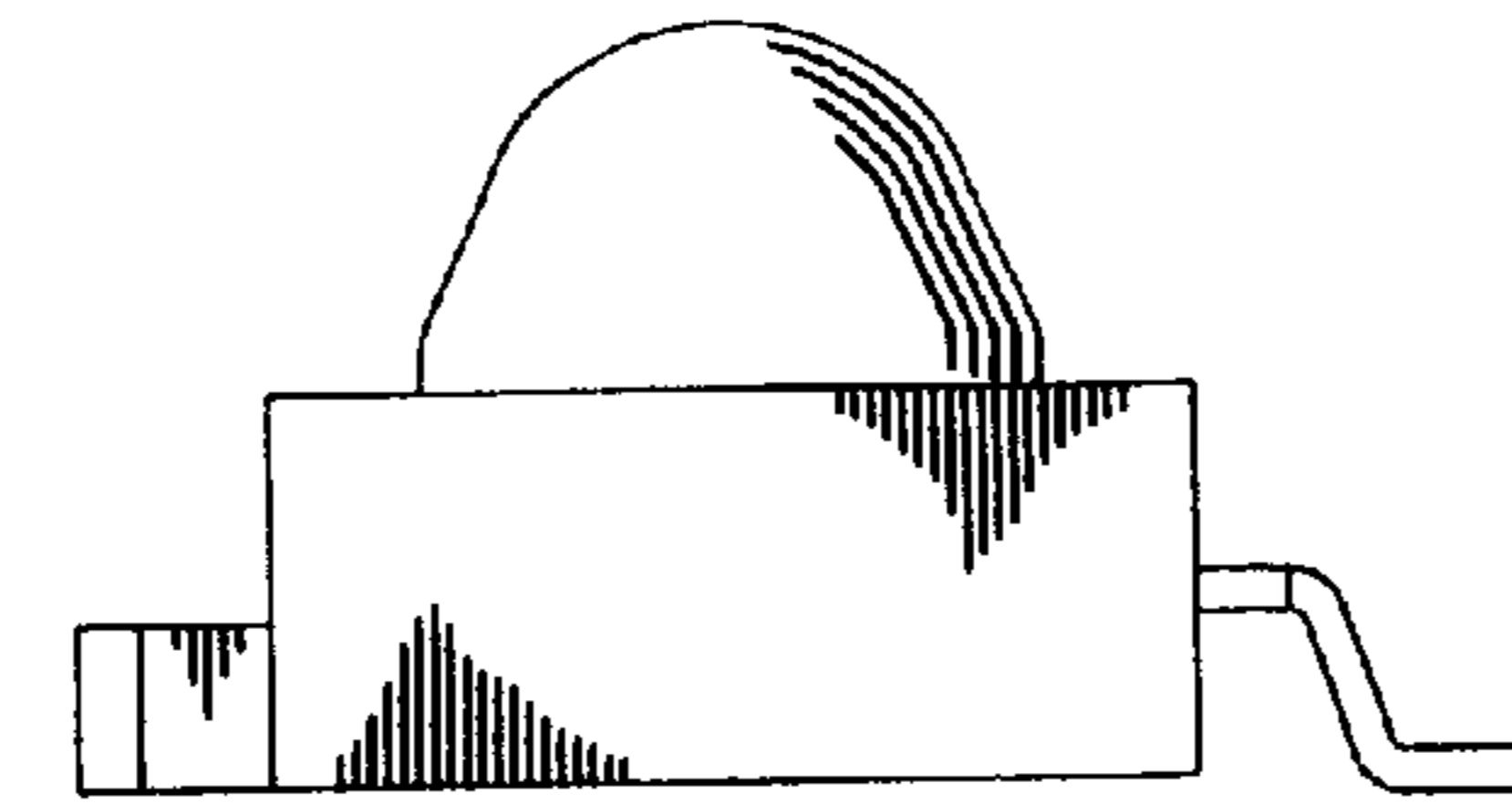


FIG. 3

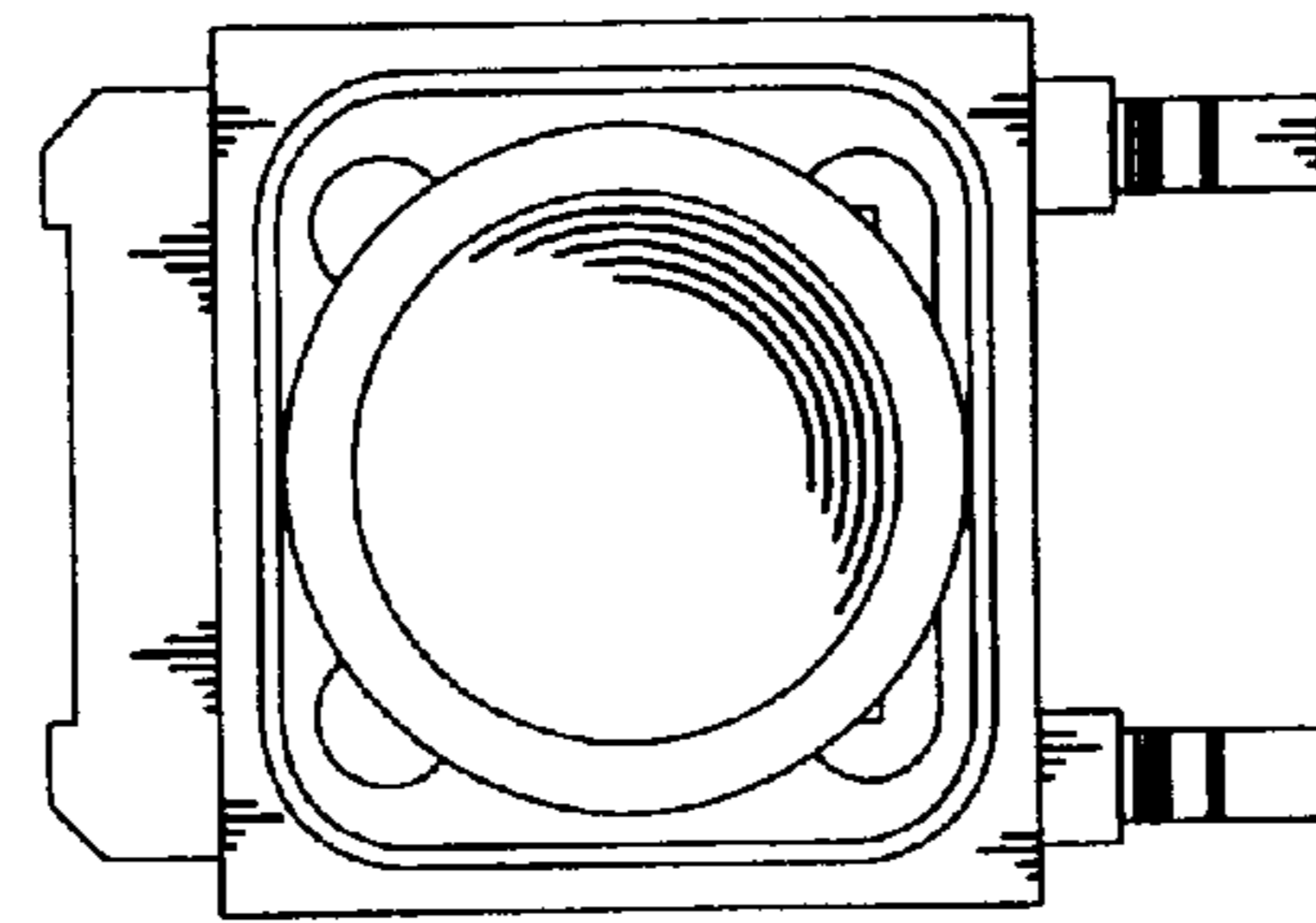


FIG. 4

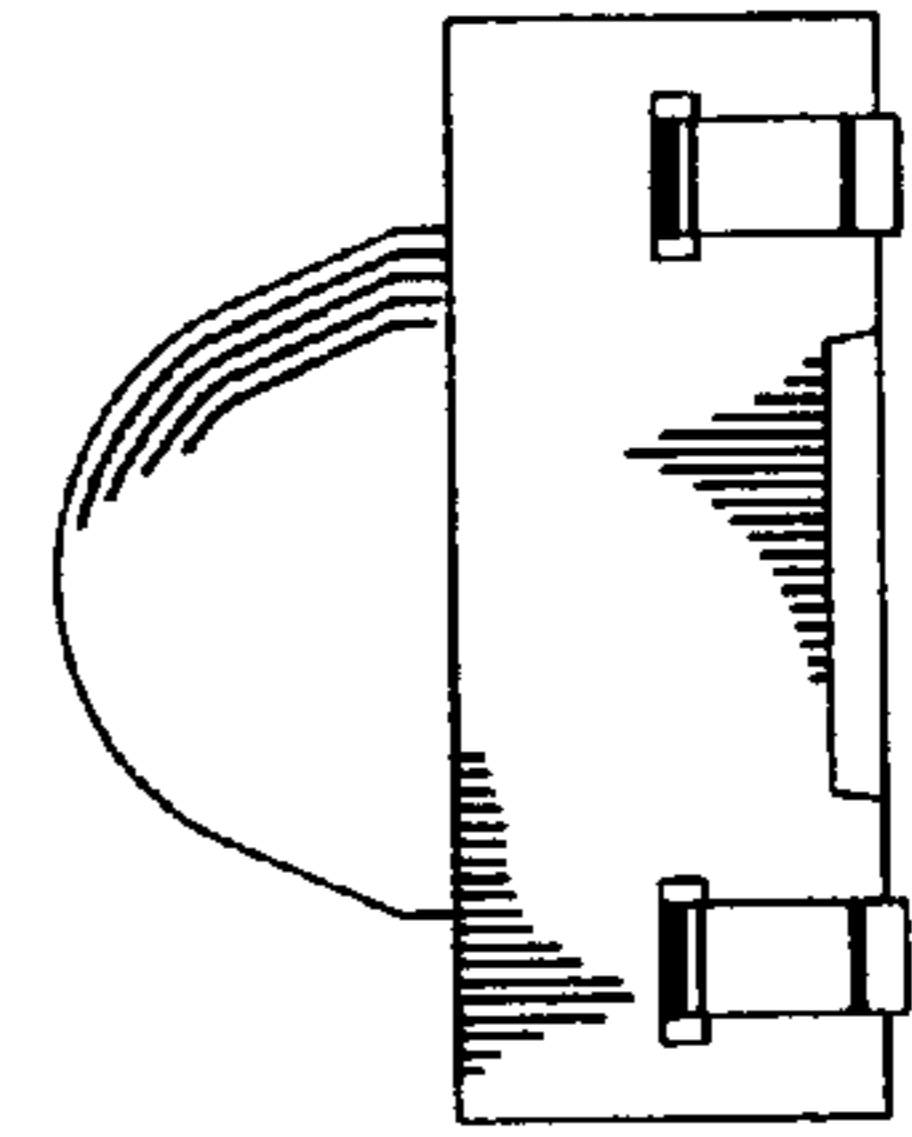


FIG. 7

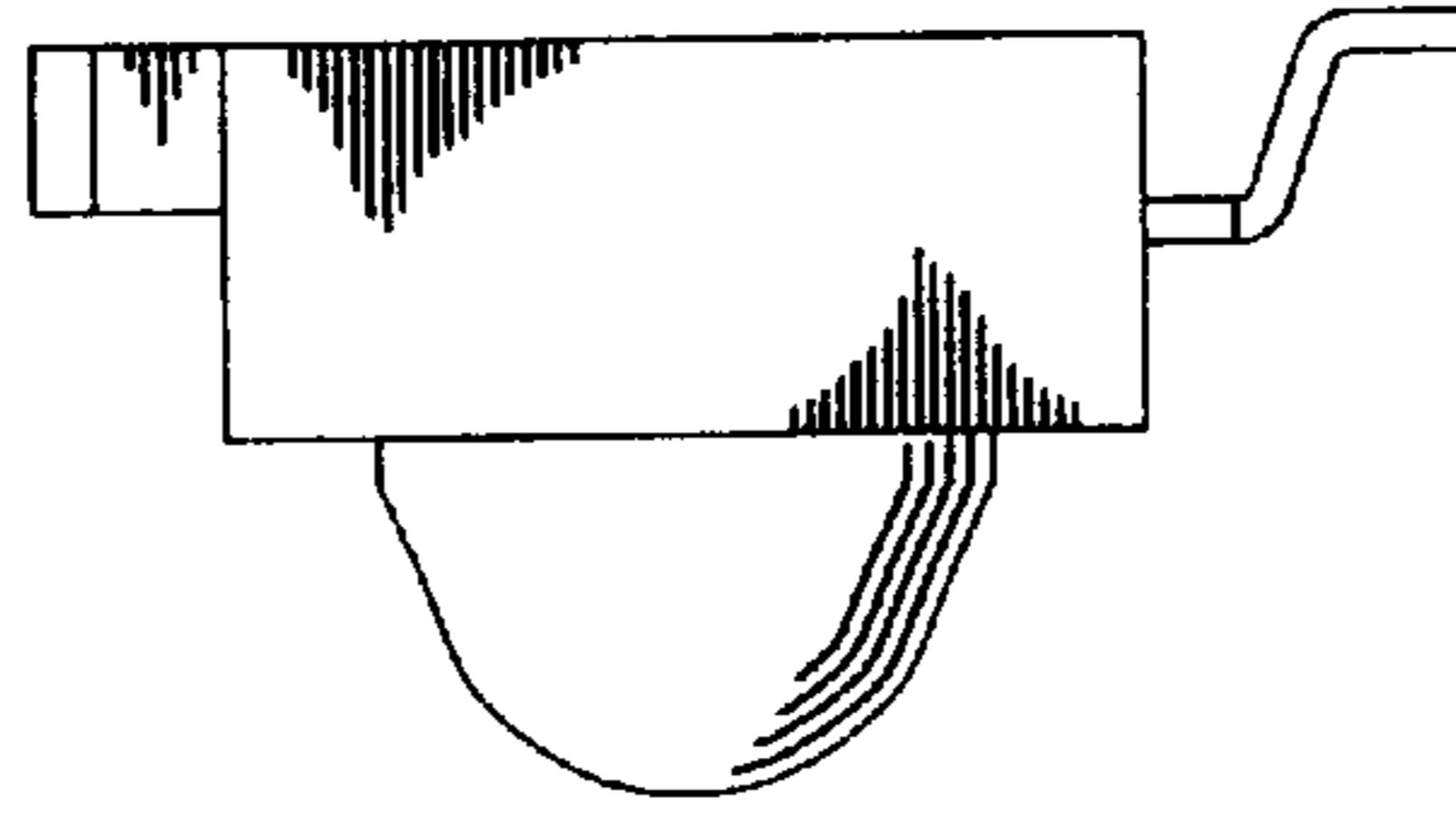


FIG. 5

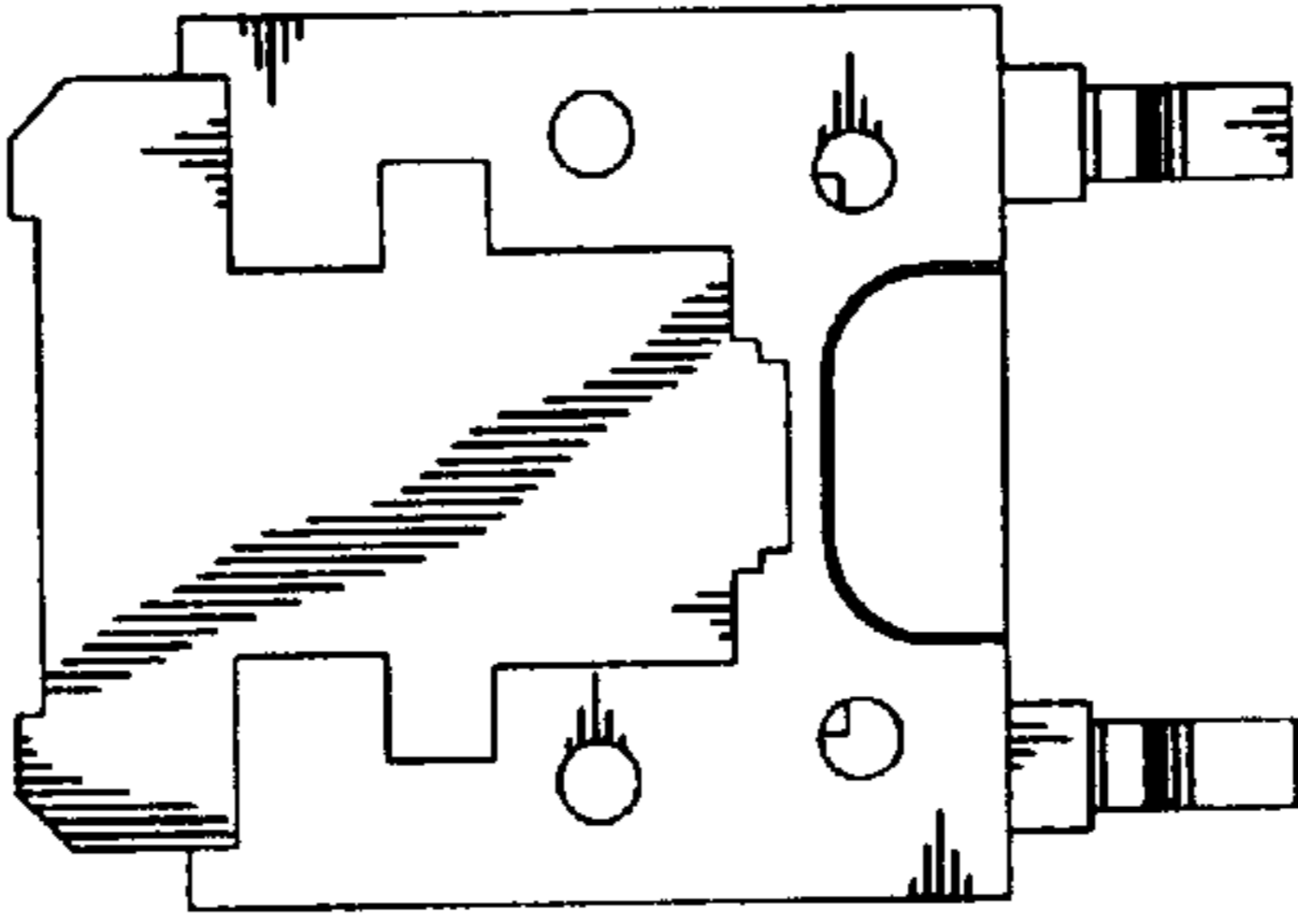


FIG. 6