



US00D486797S

(12) **United States Design Patent** (10) **Patent No.:** **US D486,797 S**  
**Anderson et al.** (45) **Date of Patent:** **\*\* Feb. 17, 2004**

(54) **SWITCH ASSEMBLY**

(75) Inventors: **Scott W. Anderson**, Racine, WI (US);  
**James Hansche**, Racine, WI (US);  
**Michael Beers**, Elmhurst, IL (US)

(73) Assignee: **Emerson Electric Co.**, St. Louis, MO (US)

(\*\*) Term: **14 Years**

(21) Appl. No.: **29/163,986**

(22) Filed: **Jul. 16, 2002**

(51) **LOC (7) Cl.** ..... **13-03**

(52) **U.S. Cl.** ..... **D13/158**

(58) **Field of Search** ..... D13/158, 165,  
D13/169, 171, 173, 174; 4/650; 200/1 R,  
6 A, 46.013, 80 R, 61.39, 302.1; 241/46.012,  
46.013, 46.13; 310/71; 318/751, 755

(56) **References Cited**

**U.S. PATENT DOCUMENTS**

|           |    |   |         |                  |       |            |   |
|-----------|----|---|---------|------------------|-------|------------|---|
| 4,488,018 | A  | * | 12/1984 | Hayashida        | ..... | 200/6      | R |
| 4,665,286 | A  |   | 5/1987  | Hansen           | ..... | 200/80     | R |
| 5,313,031 | A  | * | 5/1994  | Takahashi et al. | ..... | 200/275    |   |
| 5,324,901 | A  | * | 6/1994  | Hendel et al.    | ..... | 200/238    |   |
| 5,486,665 | A  | * | 1/1996  | Le Rouzic        | ..... | 200/302.2  |   |
| 5,563,462 | A  | * | 10/1996 | Strobl et al.    | ..... | 310/71     |   |
| 5,744,766 | A  | * | 4/1998  | Sambar et al.    | ..... | 200/16     | A |
| 6,481,652 | B2 | * | 11/2002 | Strutz et al.    | ..... | 241/46.013 |   |

**OTHER PUBLICATIONS**

Photographs of an admitted prior art switch assembly of In-Sink-Erator, a division of Emerson Electric Co., available before Jul. 16, 2002, 6-pages.

Photographs of an admitted prior art switch assembly of Whiterock Corporation of China, available before Jul. 16, 2002, 6-pages.

Photographs of a prior art switch assembly of In-Sink-Erator, a division of Emerson Electric Co., 6-pages.

Photographs of a prior art switch assembly of Whiterock Corporation of China, 6-pages.

\* cited by examiner

*Primary Examiner*—Philip S. Hyder

*Assistant Examiner*—Selina Sikder

(74) *Attorney, Agent, or Firm*—Howrey Simon Arnold & White LLP

(57) **CLAIM**

The ornamental design for a switch assembly, as shown and described.

**DESCRIPTION**

This application is concurrently filed with U.S. patent application Ser. No. 29/121,628, which is entitled "Switch Assembly for Food Waste Disposer" and contains subject matter related to that disclosed herein.

FIG. 1 is an enlarged, perspective view of a switch assembly showing our new design.

FIG. 2 is a top plan view thereof.

FIG. 3 is a right side elevation view thereof.

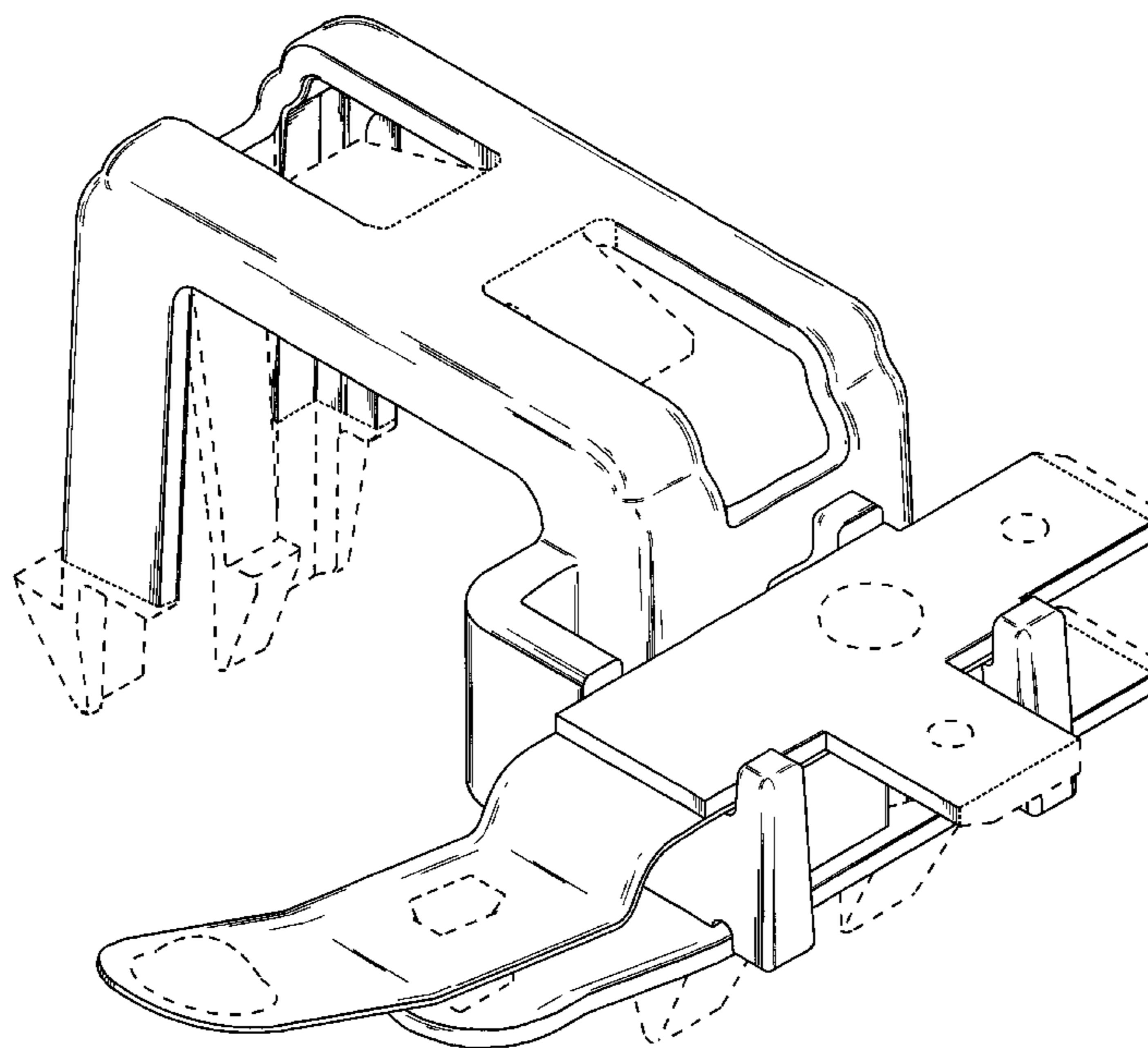
FIG. 4 is a back elevation view thereof.

FIG. 5 is a left side elevation view thereof; and,

FIG. 6 is a front elevation view thereof.

The broken line showing in FIGS. 1-6 is for illustrative purposes only and forms no part of the claimed design. The long dashed broken lines represent environment and the short dashed broken lines represent the unclaimed boundaries of the design.

**1 Claim, 3 Drawing Sheets**



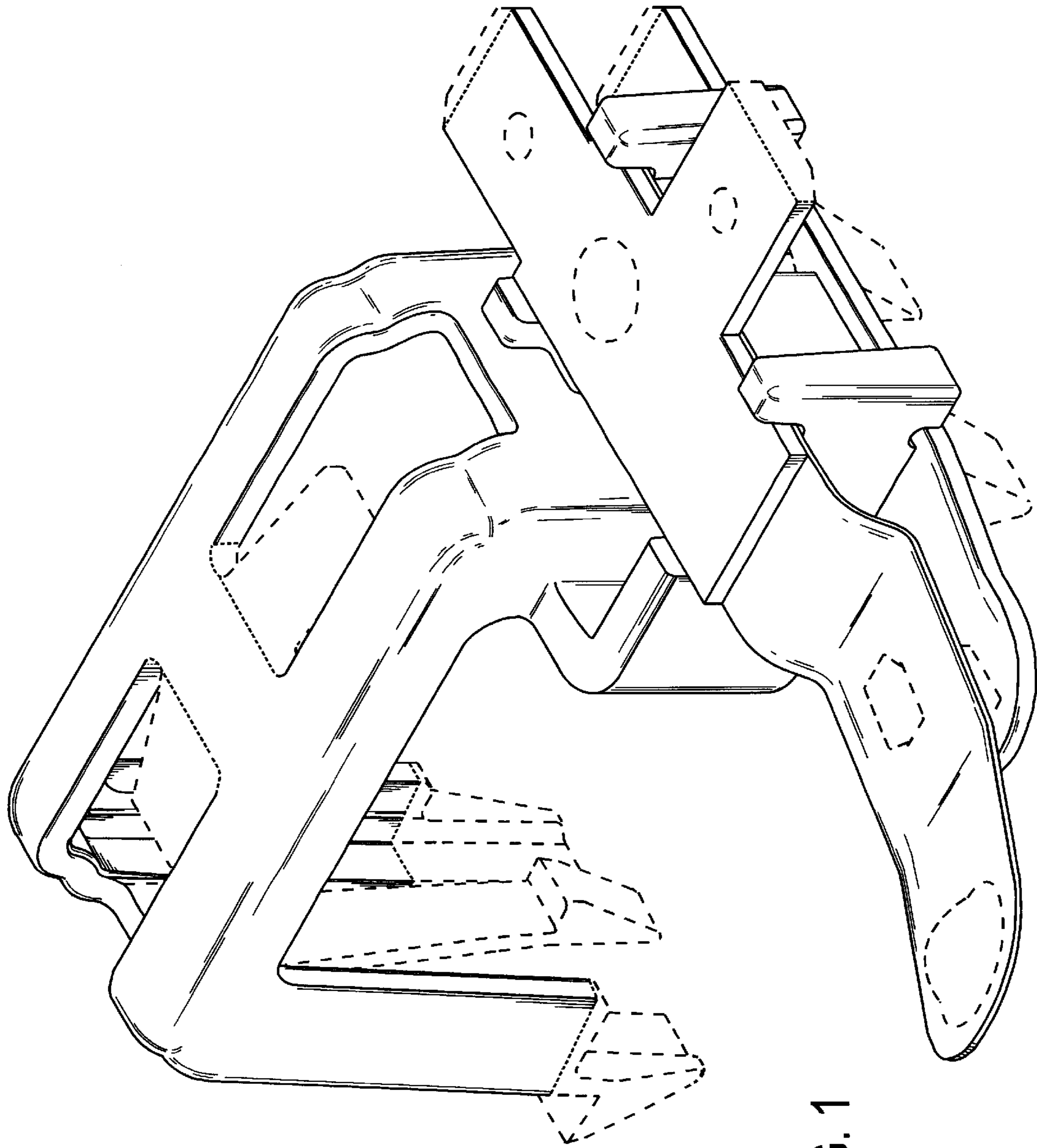


FIG. 1

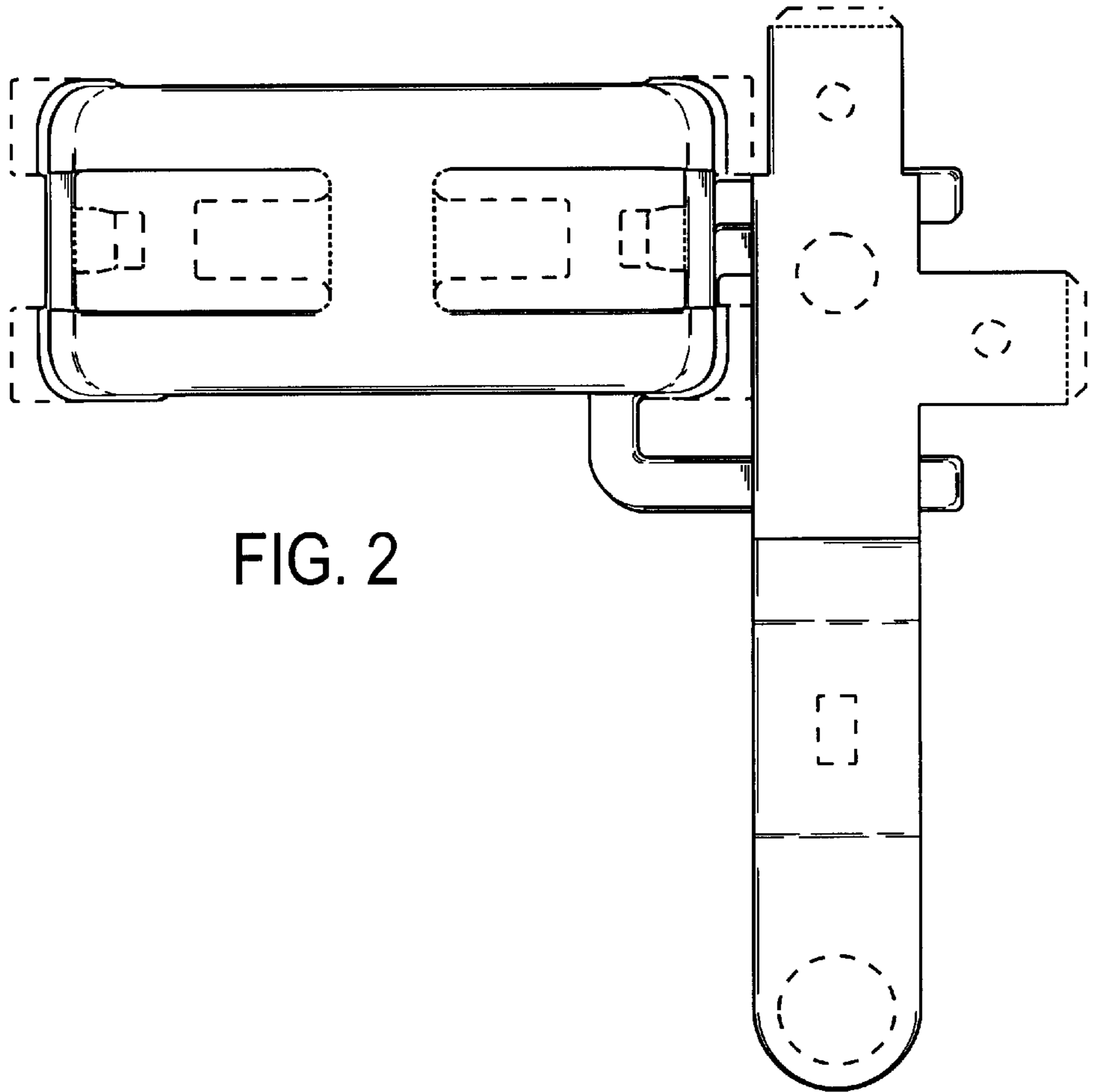


FIG. 2

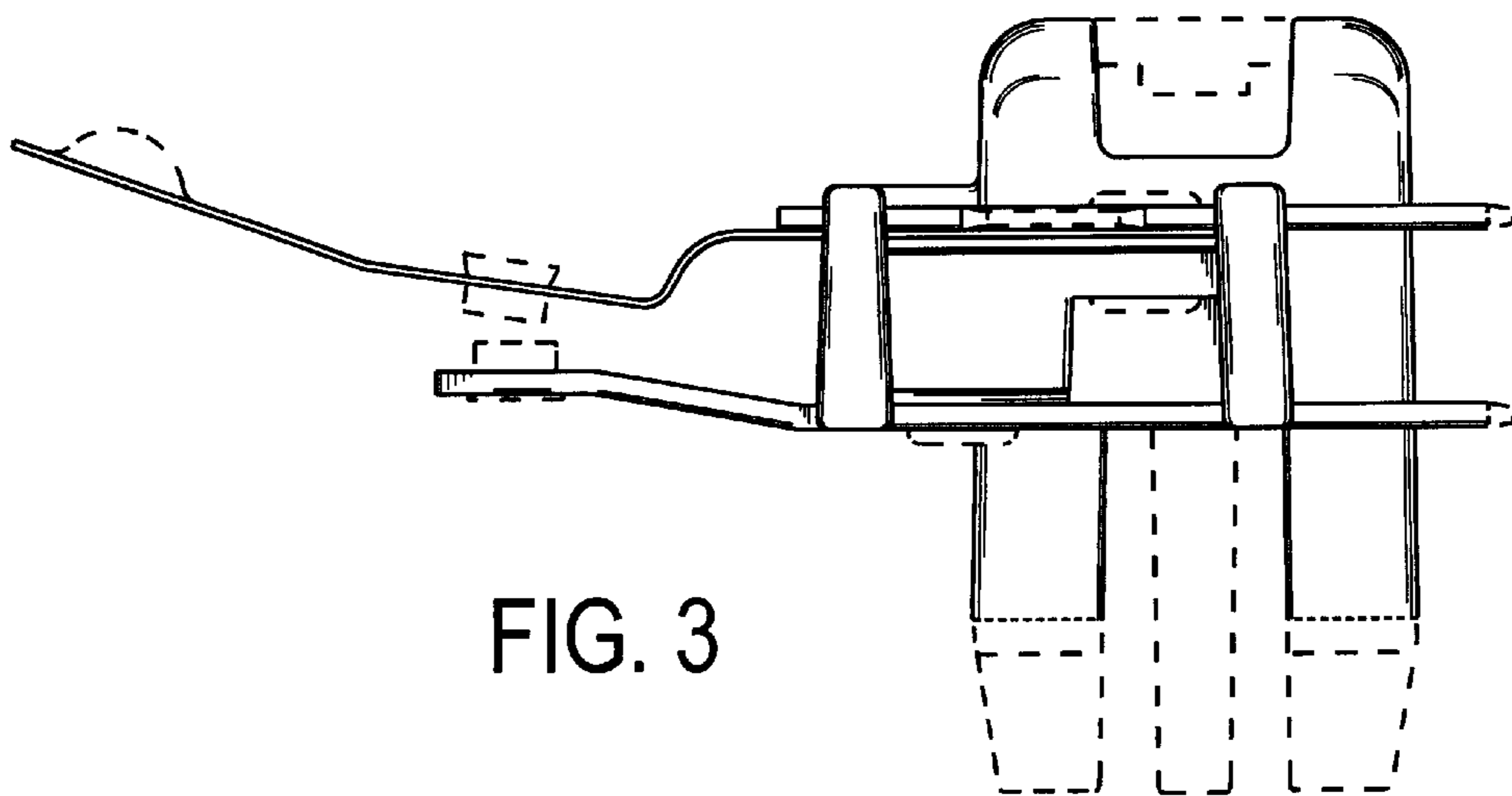


FIG. 3

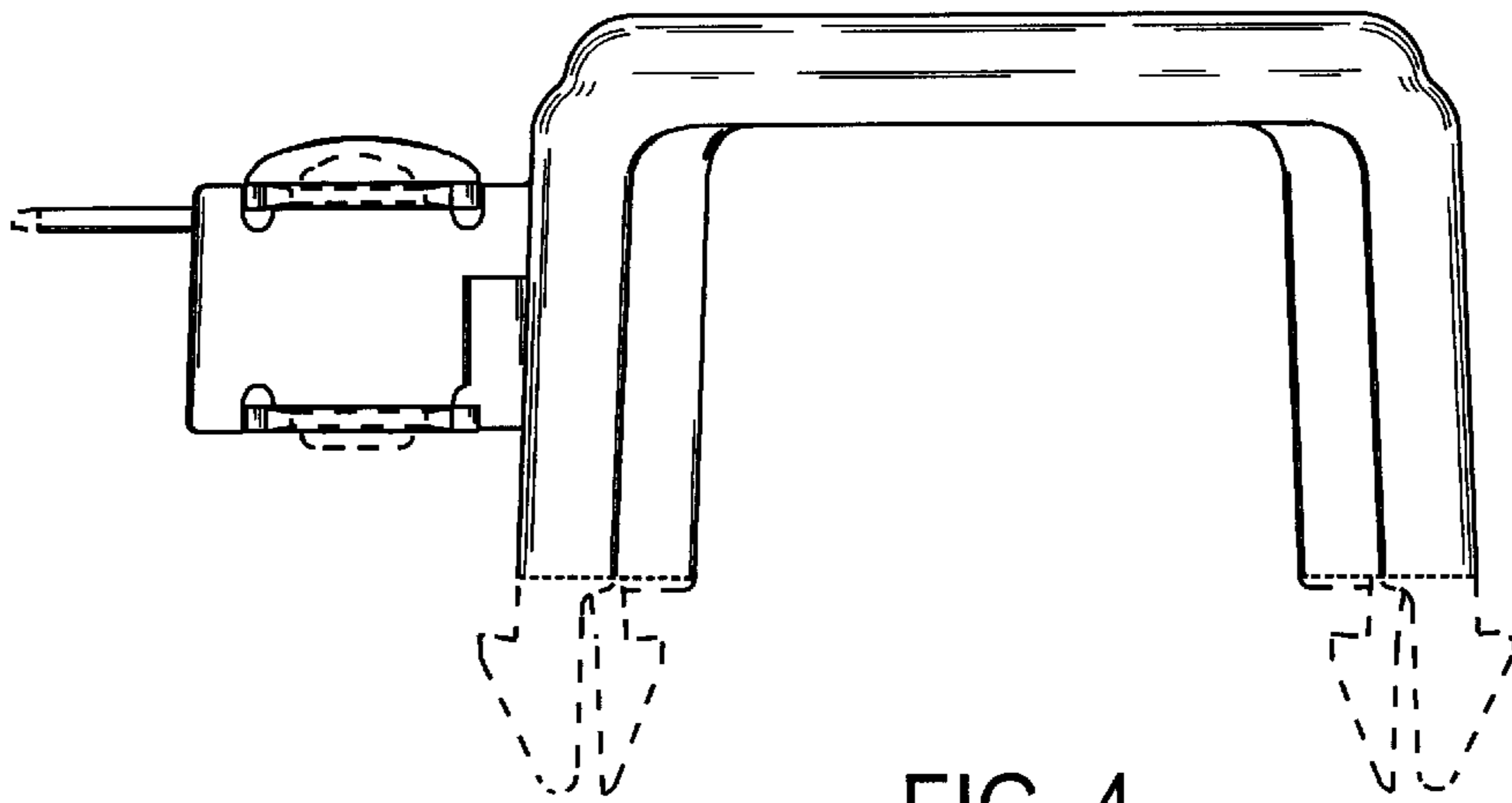


FIG. 4

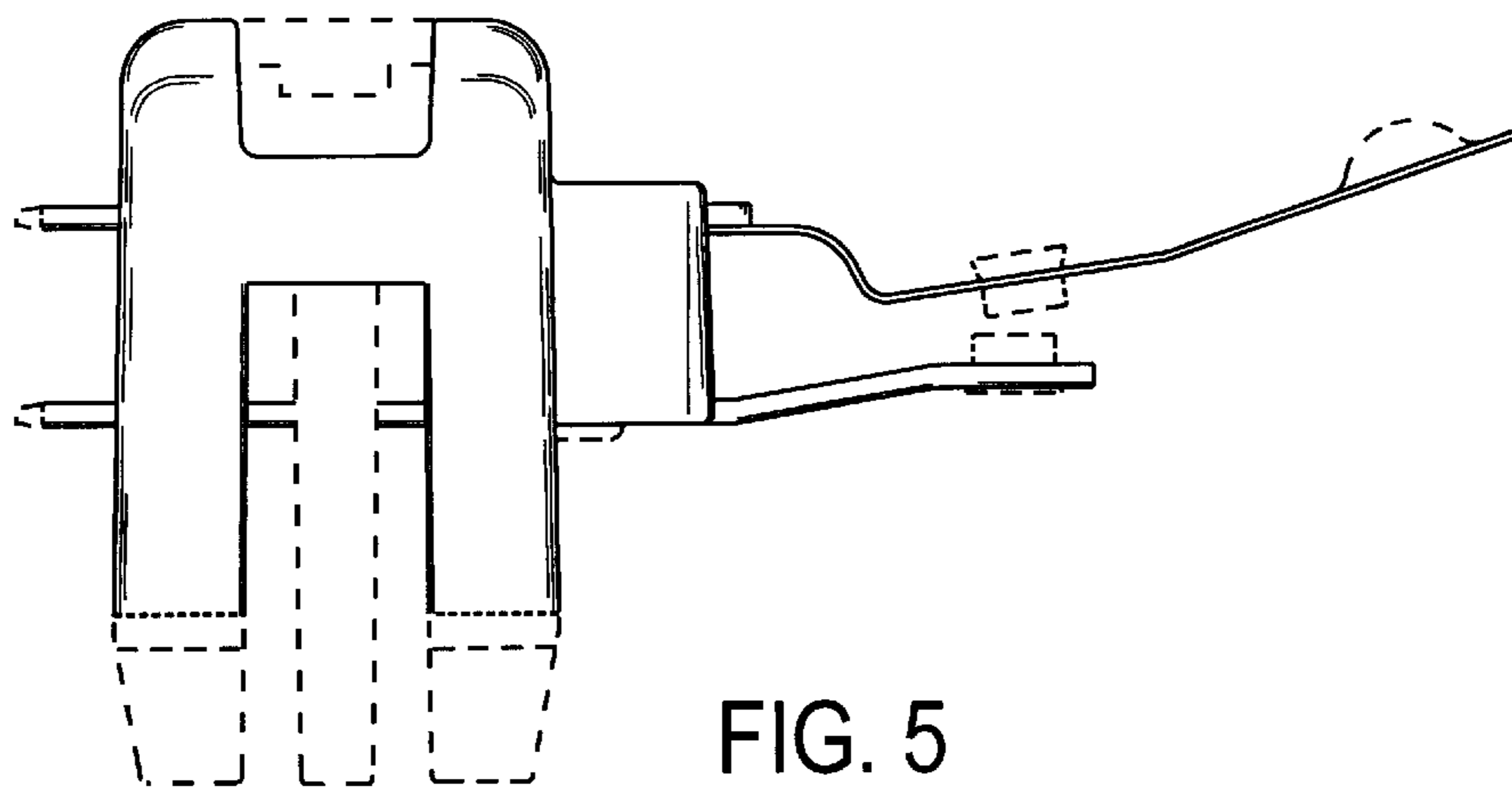


FIG. 5

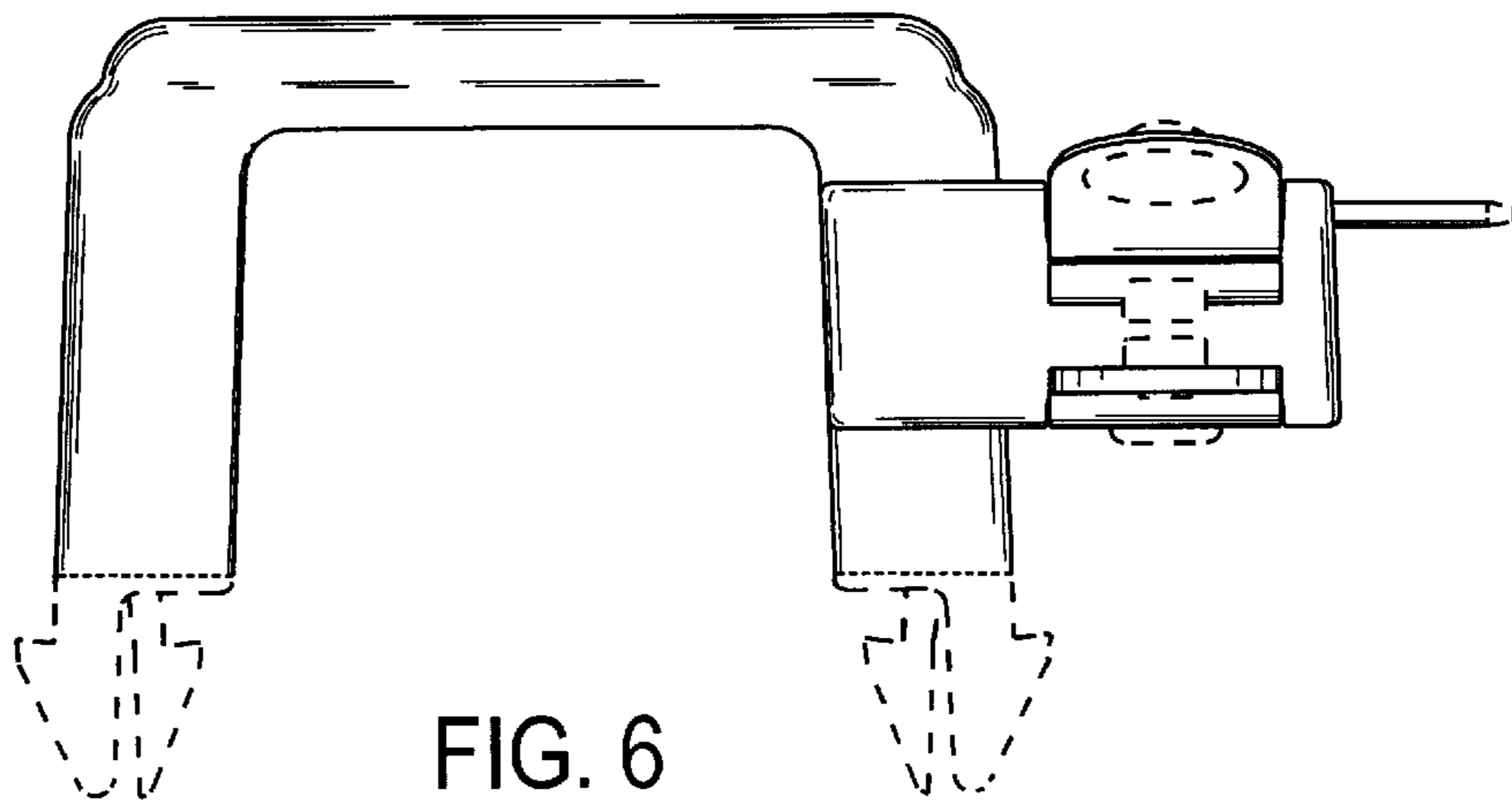


FIG. 6

UNITED STATES PATENT AND TRADEMARK OFFICE  
**CERTIFICATE OF CORRECTION**

PATENT NO. : Des. 486,797 S  
APPLICATION NO. : 29/163986  
DATED : February 17, 2004  
INVENTOR(S) : Scott W. Anderson, James Hansche and Michael Beers

Page 1 of 1

It is certified that error appears in the above-identified patent and that said Letters Patent is hereby corrected as shown below:

Title Page: Item (75) Inventors: Add --Francis A. Lubinski, Bayside, WI (USA)--.

Title Page: Column 2, line 4, replace "are" with --art--.

Signed and Sealed this

Thirtieth Day of January, 2007

A handwritten signature in black ink on a light gray dotted background. The signature reads "Jon W. Dudas" in a cursive style.

JON W. DUDAS

*Director of the United States Patent and Trademark Office*