



US00D486796S

(12) **United States Design Patent**
Ohshima

(10) **Patent No.:** **US D486,796 S**

(45) **Date of Patent:** **** Feb. 17, 2004**

(54) **MALE CONNECTOR FOR A COMPUTER CABLE**

D455,400 S * 4/2002 Hisatomi et al. D13/147
D455,403 S * 4/2002 Yoneyama et al. D13/147
6,506,064 B1 * 1/2003 Wu 439/940 X

(75) Inventor: **Shinobu Ohshima**, Tokyo (JP)

* cited by examiner

(73) Assignee: **Honda TsushinKogyo Co., Ltd.**, Tokyo (JP)

Primary Examiner—Joel Sincavage
(74) *Attorney, Agent, or Firm*—Leighton K. Chong; Ostrager Chong & Flaherty (Hawaii)

(**) Term: **14 Years**

(21) Appl. No.: **29/153,753**

(22) Filed: **Jan. 9, 2002**

(30) **Foreign Application Priority Data**

Aug. 8, 2001 (JP) 2001-023346

(51) **LOC (7) Cl.** **13-03**

(52) **U.S. Cl.** **D13/147**

(58) **Field of Search** D13/147; 439/62, 439/260, 329, 395, 422, 492, 499, 160, 266, 476.1, 484, 940

(56) **References Cited**

U.S. PATENT DOCUMENTS

3,178,214 A * 4/1965 Tinkelenberg 439/484
3,654,589 A * 4/1972 Stefano et al. 439/483
6,007,352 A * 12/1999 Azuma et al. 439/108
6,126,479 A * 10/2000 Lee 439/484
D436,577 S * 1/2001 Azuma et al. D13/147

(57) **CLAIM**

The ornamental design for the male connector for a computer cable, as shown and described.

DESCRIPTION

FIG. 1 is a top view of my new design for a male connector for a computer cable, such as a connector that is mounted on a substrate (board) of a laptop computer and connects to a cable for an LCD display.

FIG. 2 is a front elevation view of the article shown in FIG. 1;

FIG. 3 is a rear elevation view of the article shown in FIG. 1;

FIG. 4 is a bottom view of the article shown in FIG. 1;

FIG. 5 is a right side view of the article shown in FIG. 1, which is a mirror image of the left side view.

The portion shown in broken lines in FIGS. 2 and 4 are included for the purpose of illustrating portions of the connector that form no part of the claimed design.

1 Claim, 2 Drawing Sheets

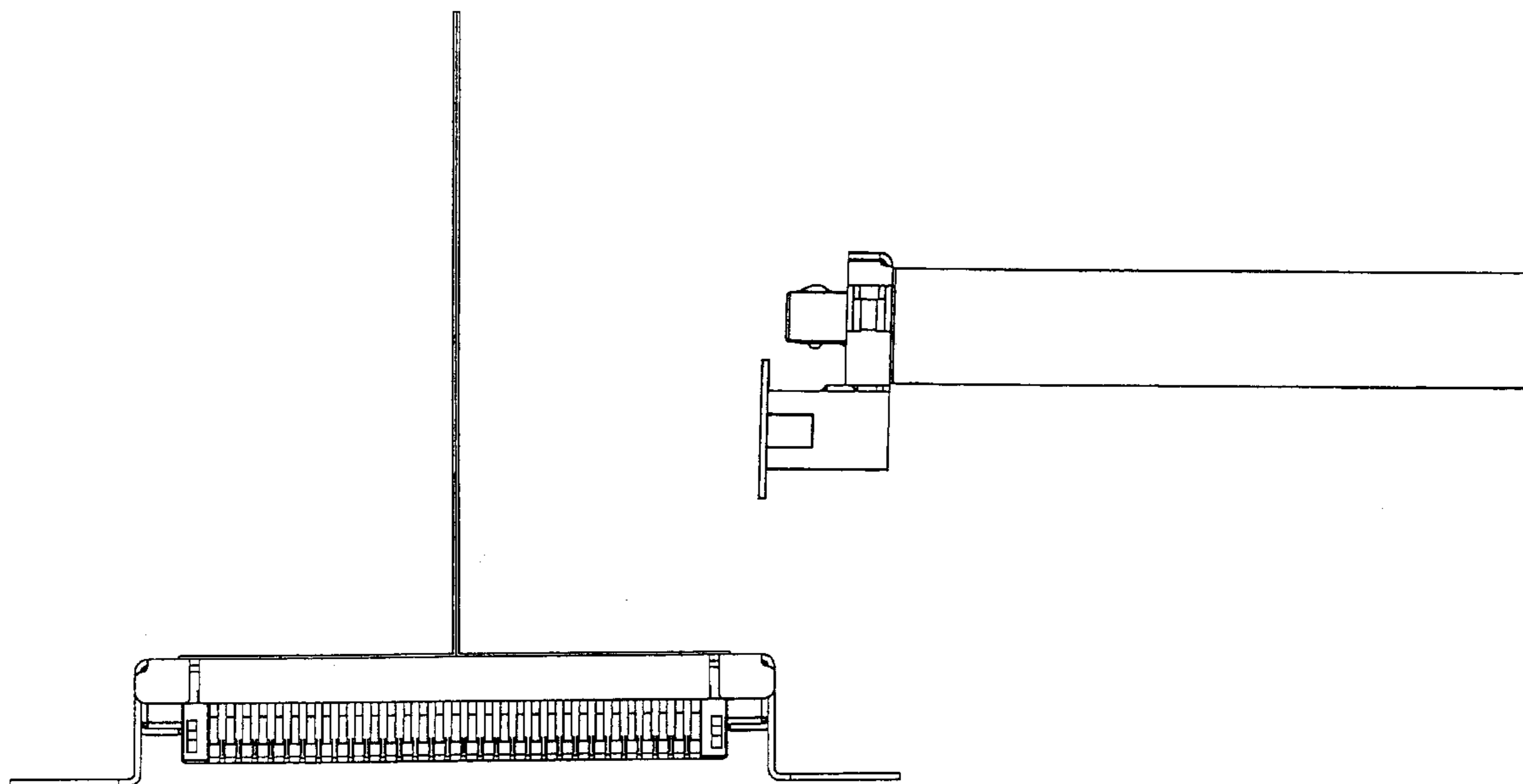


FIG. 1

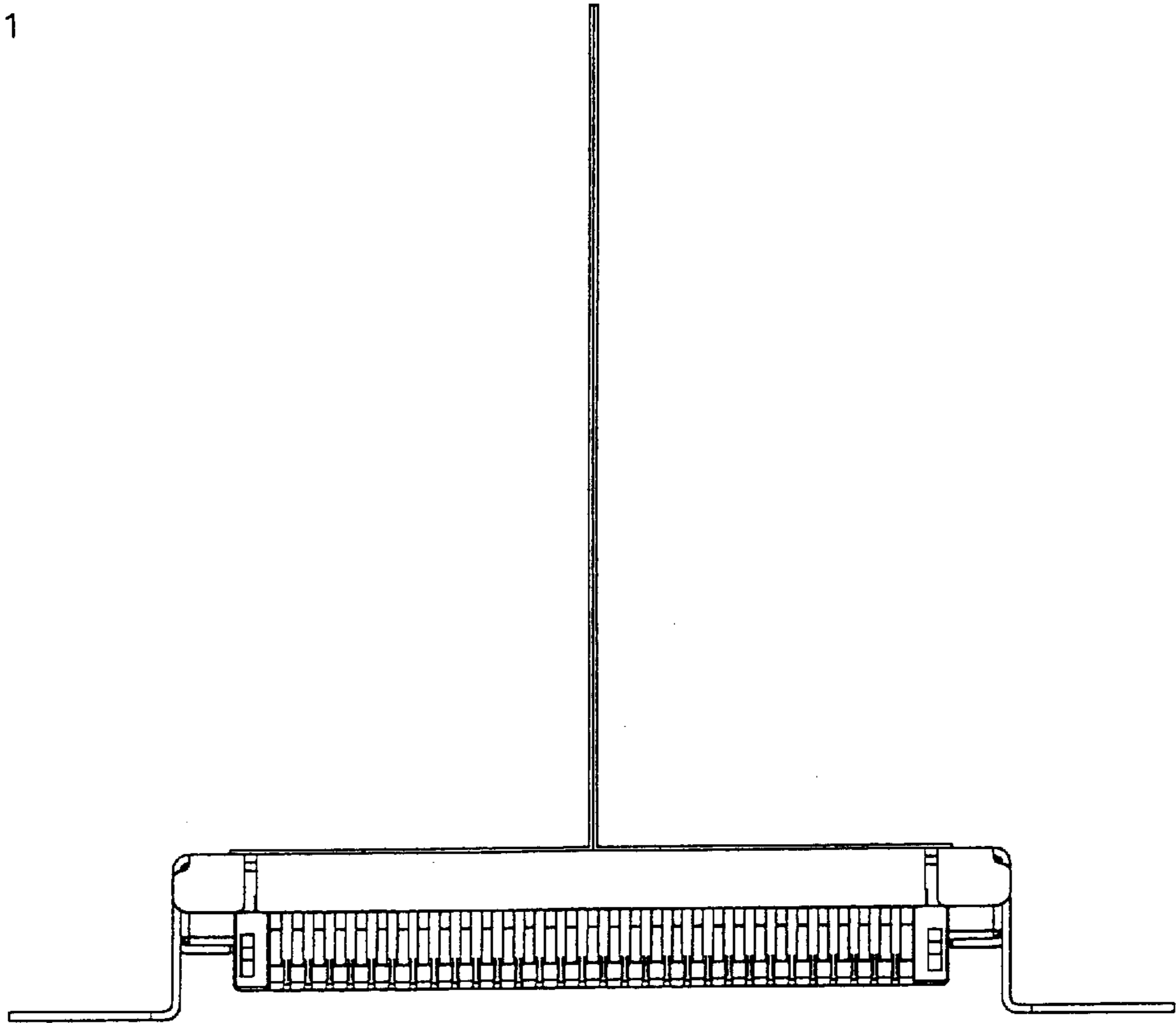


FIG. 2

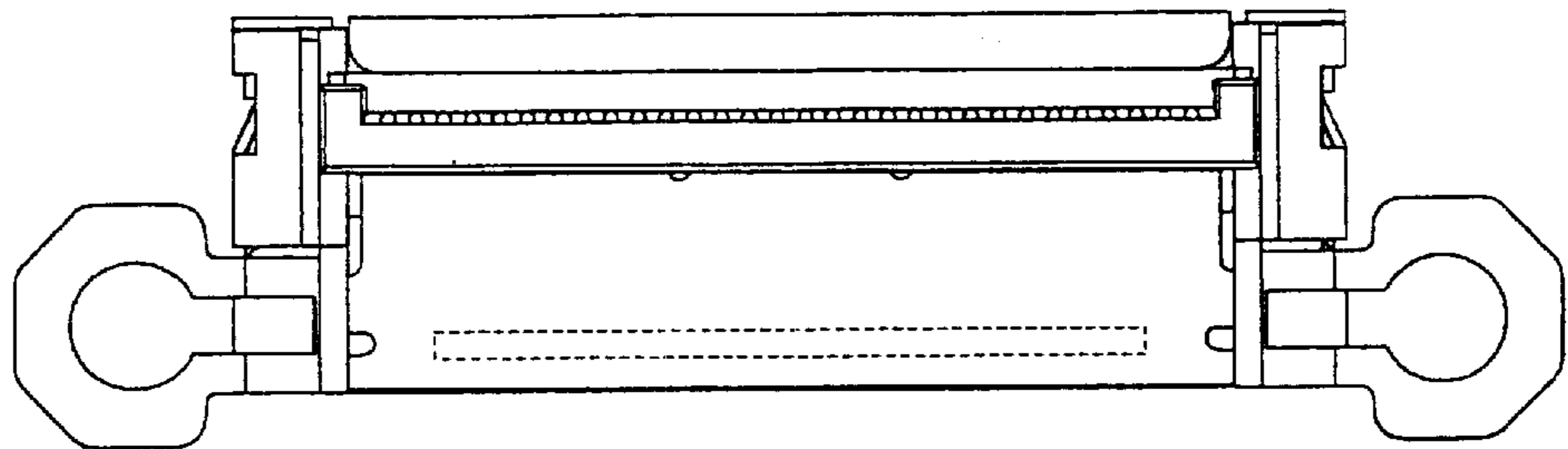


FIG. 3

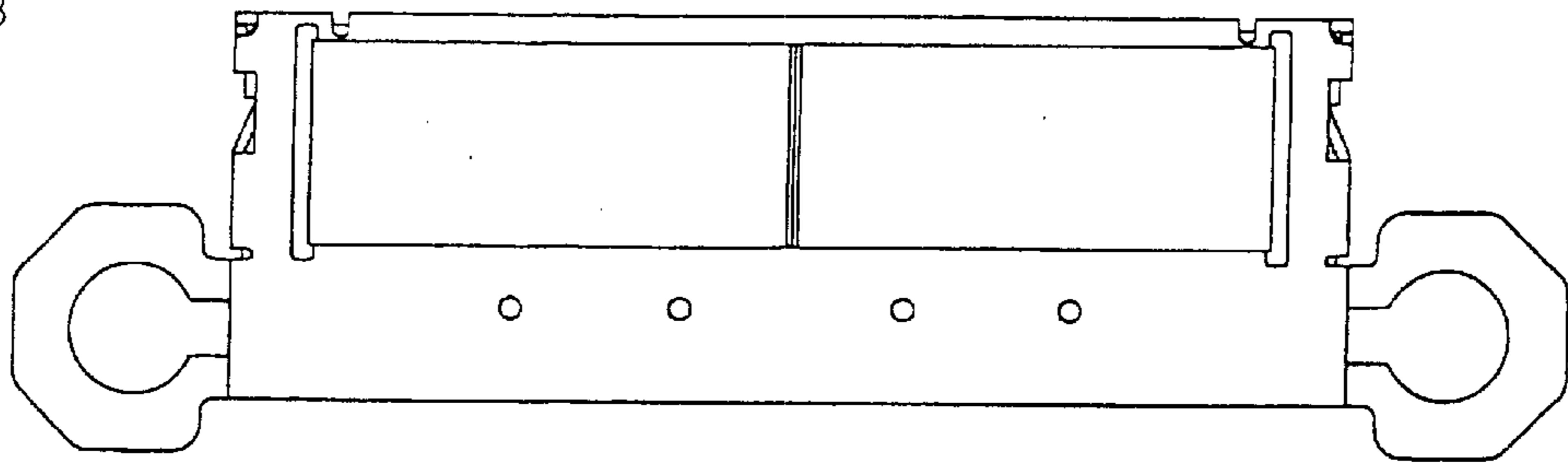


FIG. 4

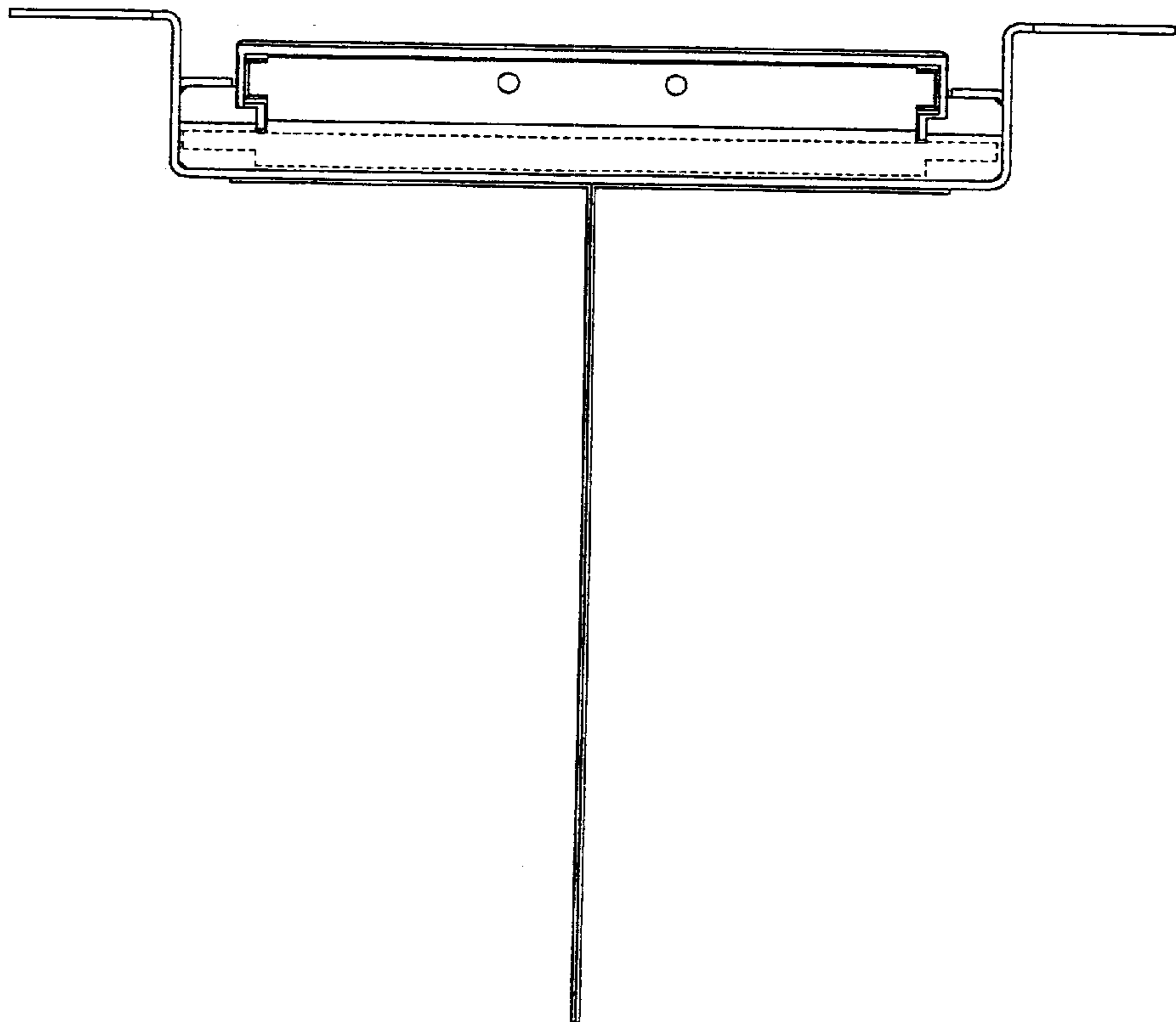


FIG. 5

