



US00D486794S

(12) **United States Design Patent**
Okamoto

(10) **Patent No.:** **US D486,794 S**

(45) **Date of Patent:** **** Feb. 17, 2004**

(54) **ELECTRICAL CONNECTING PLUG**

(75) **Inventor:** **Toshimune Okamoto, Isesaki (JP)**

(73) **Assignee:** **Hosiden Corporation, Osaka (JP)**

(**) **Term:** **14 Years**

(21) **Appl. No.:** **29/151,314**

(22) **Filed:** **Dec. 7, 2001**

(30) **Foreign Application Priority Data**

Jun. 19, 2001 (JP) 2001-021570

(51) **LOC (7) Cl. 13-03**

(52) **U.S. Cl. D13/147**

(58) **Field of Search** D13/146, 147,
D13/154; 439/607, 609, 610, 660, 354,
357, 350-352, 353, 370, 293, 295, 491,
686

(56) **References Cited**

U.S. PATENT DOCUMENTS

4,322,572	A	*	3/1982	Snyder	174/35	R
4,929,189	A	*	5/1990	Sekiguchi	439/352	
5,030,111	A	*	7/1991	Eastman	439/452	X
5,545,052	A	*	8/1996	Hirai	439/354	
D378,209	S	*	2/1997	Morikawa et al.	D13/147	
5,683,269	A	*	11/1997	Davis et al.	439/607	
5,766,041	A	*	6/1998	Morin et al.	439/609	
5,777,854	A	*	7/1998	Welch et al.	439/609	X
5,961,351	A	*	10/1999	Wu	439/610	
6,039,606	A	*	3/2000	Chiou	439/610	
6,083,014	A	*	7/2000	Bogdan et al.	439/98	
D429,484	S	*	8/2000	Nishio et al.	D13/147	
6,113,428	A	*	9/2000	Yeh	439/609	

D432,500	S	*	10/2000	Nishio et al.	D13/147	
D434,381	S	*	11/2000	Shimojyo	D13/147	
D434,727	S	*	12/2000	Huang	D13/147	
6,171,150	B1	*	1/2001	Saito et al.	439/610	
6,231,393	B1	*	5/2001	Lai	439/610	
6,234,840	B1	*	5/2001	Nakata et al.	439/607	
D444,129	S	*	6/2001	Arai	D13/147	
D452,217	S	*	12/2001	Shimojyo	D13/147	
6,435,912	B1	*	8/2002	Zhu et al.	439/607	

* cited by examiner

Primary Examiner—Joel Sincavage

(74) *Attorney, Agent, or Firm*—Jones, Tullar & Cooper, P.C.

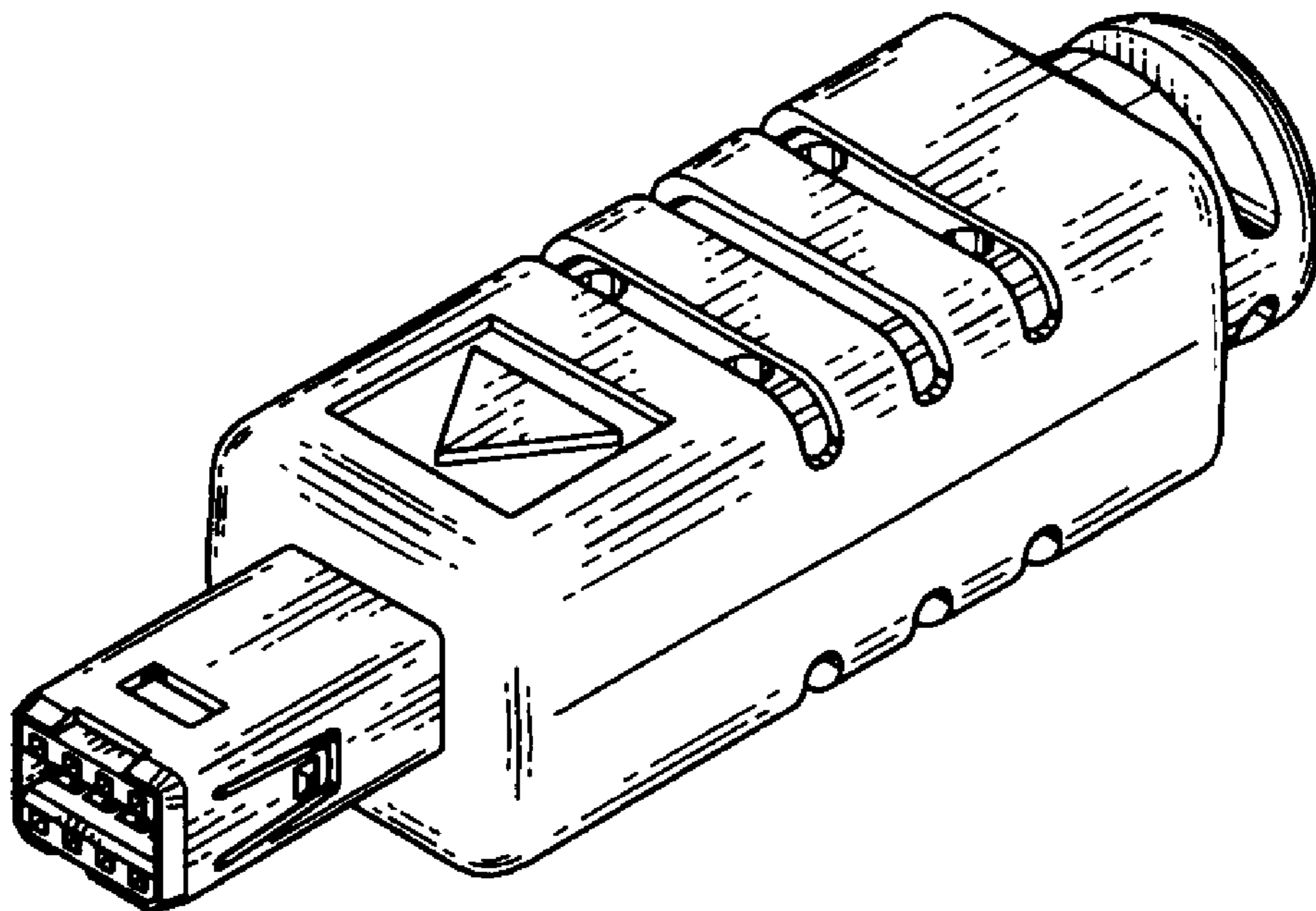
(57) **CLAIM**

The ornamental design for an electrical connecting plug, as shown and described.

DESCRIPTION

FIG. 1 is a perspective view of an electrical connecting plug according to the present invention;
 FIG. 2 is a top plan view of the electrical connecting plug according to the present invention;
 FIG. 3 is a bottom plan view of the electrical connecting plug according to the present invention;
 FIG. 4 is a front elevation view of the electrical connecting plug according to the present invention;
 FIG. 5 is a rear elevation view of the electrical connecting plug according to the present invention;
 FIG. 6 is a right side elevation view of the electrical connecting plug according to the present invention; and,
 FIG. 7 is a left side elevation view of the electrical connecting plug according to the present invention.

1 Claim, 2 Drawing Sheets



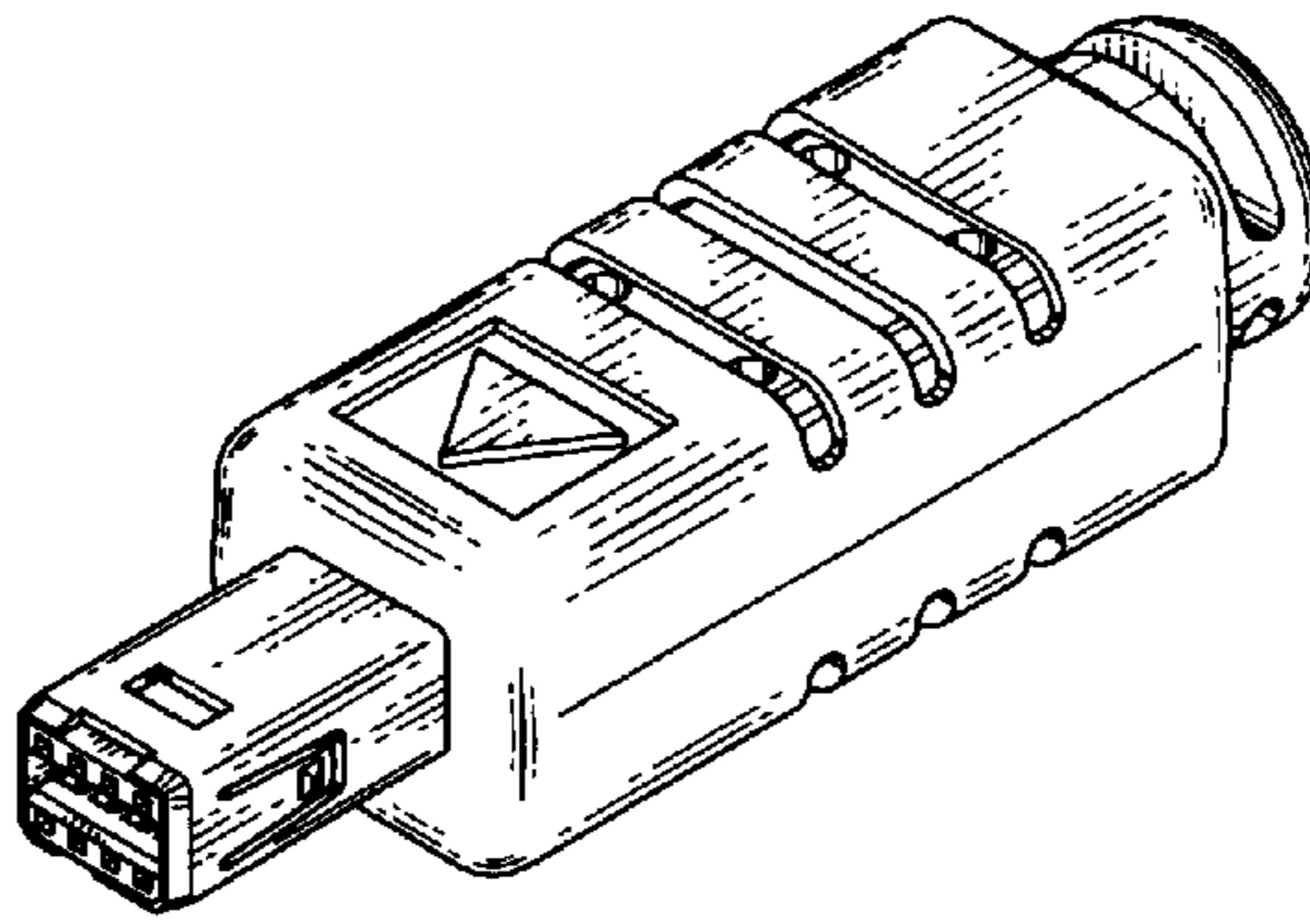


FIG. 1

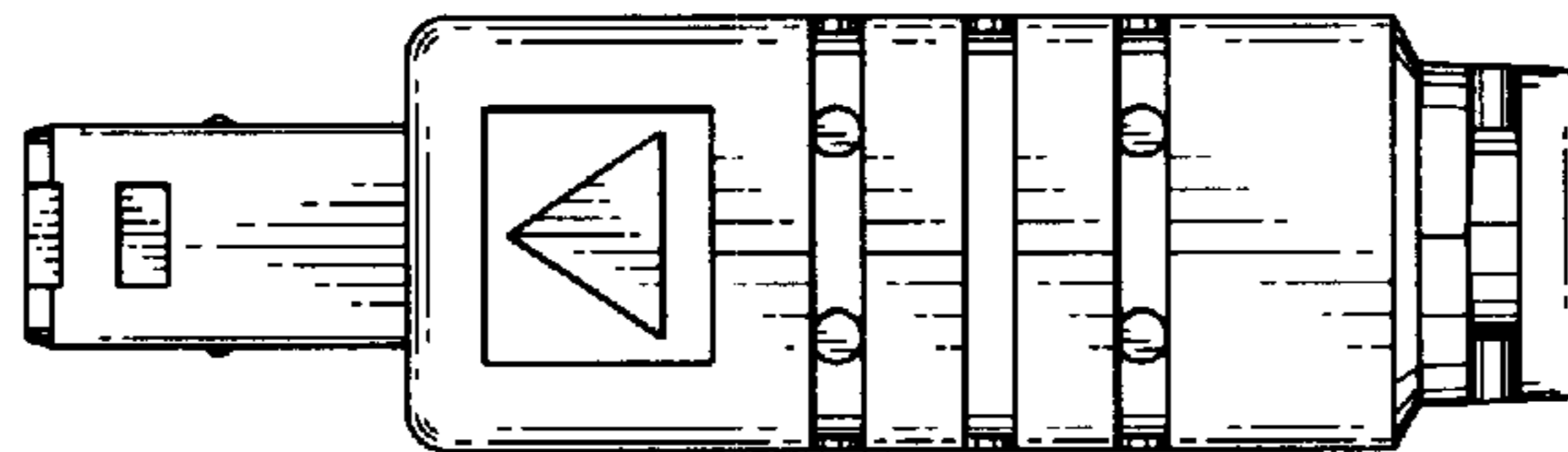


FIG. 2

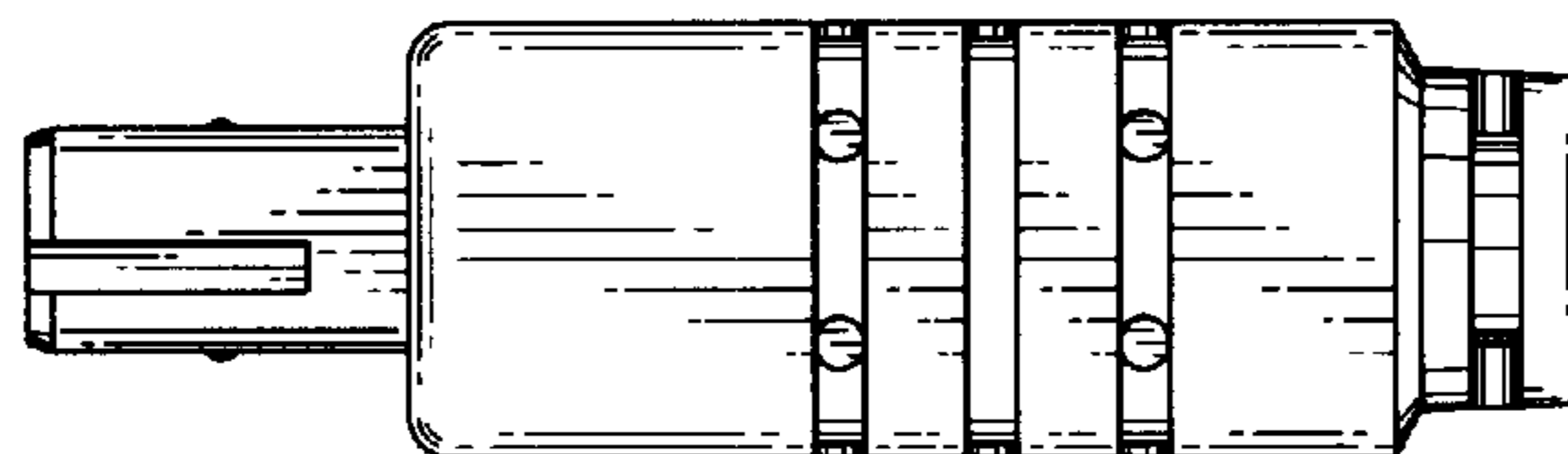


FIG. 3

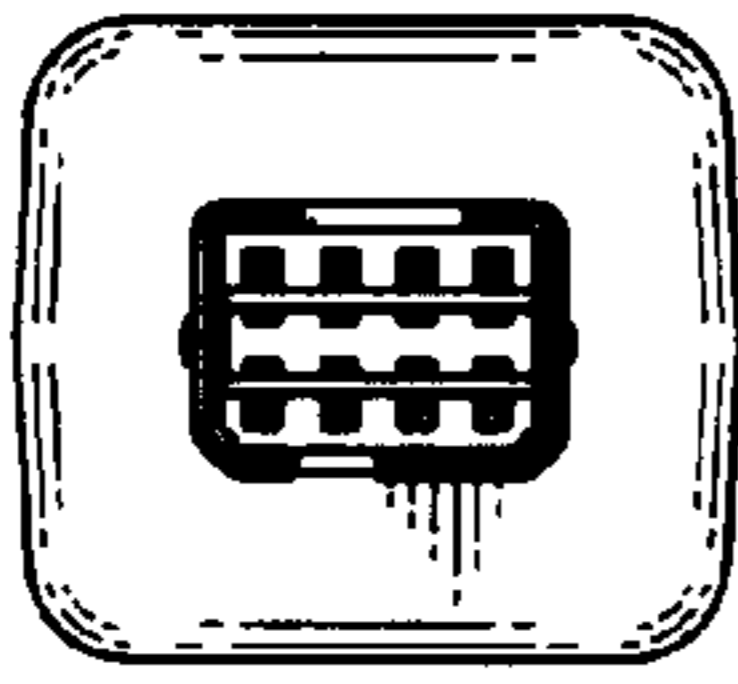


FIG. 4

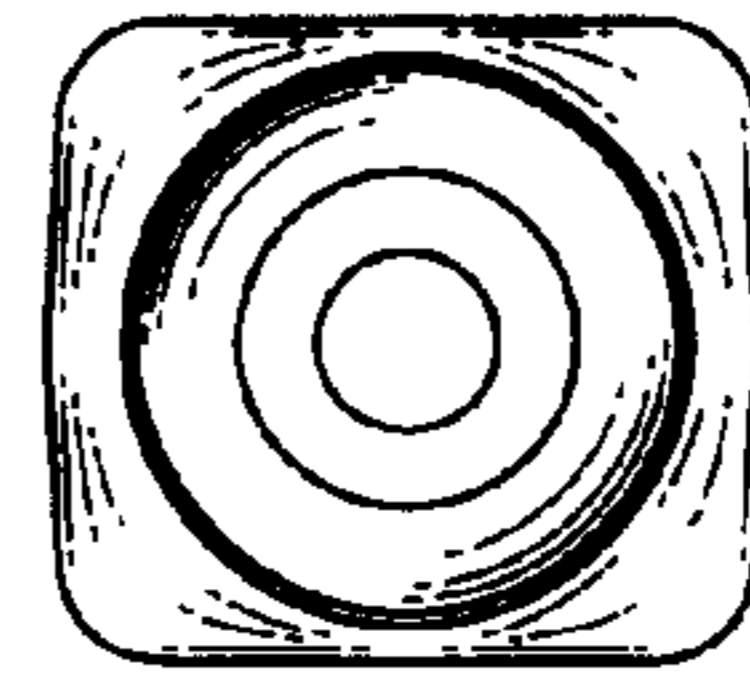


FIG. 5

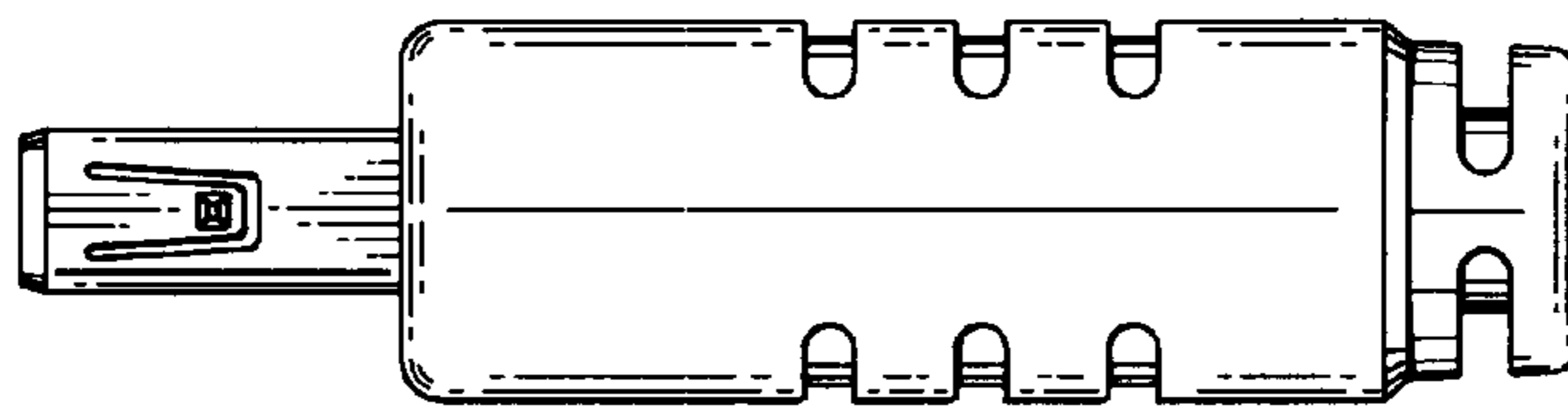


FIG. 6

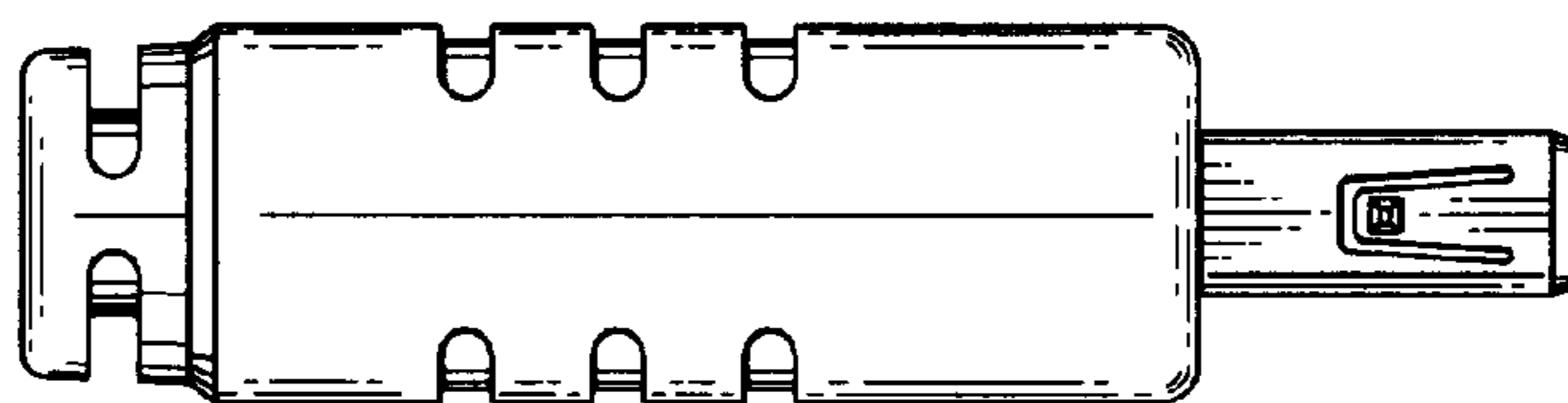


FIG. 7