



US00D486791S

(12) **United States Design Patent**  
**Franks, Jr.**

(10) **Patent No.:** **US D486,791 S**

(45) **Date of Patent:** **\*\* Feb. 17, 2004**

(54) **GROUND BLOCK**

(75) **Inventor:** **George J. Franks, Jr.**, Inverness, IL (US)

(73) **Assignee:** **Senior Industries, Inc.**, Wood Dale, IL (US)

(\*\*) **Term:** **14 Years**

(21) **Appl. No.:** **29/175,064**

(22) **Filed:** **Jan. 29, 2003**

(51) **LOC (7) Cl.** ..... **13-03**

(52) **U.S. Cl.** ..... **D13/133; D8/354**

(58) **Field of Search** ..... **D13/133, 154; D8/354; 439/92, 95, 96, 97, 98, 99, 101, 108; 379/413.03; 174/51**

(56) **References Cited**

**U.S. PATENT DOCUMENTS**

63,848 A	4/1867	Bruso
106,900 A	8/1870	Wharton
759,414 A	5/1904	Bishop

(List continued on next page.)

**FOREIGN PATENT DOCUMENTS**

CA	603254	8/1960
CA	968431	5/1975
DE	1132999	7/1962
DE	2108227	9/1972
DE	2741791	7/1978
DE	2713247	9/1978
DE	147294	3/1981
FR	1126748	11/1956
GB	1085499	10/1967
GB	1159264	7/1969
GB	2195837 A	4/1988
SE	161707	12/1957

**OTHER PUBLICATIONS**

Arthur Traufer, "Snap-On Ground Clamp", *Radio & Television News*, Feb. 1954 (1 page). 439/100.

Senior Industries, Inc. product literature entitled "Meter Box Ground Clamp" (date prior Nov. 27, 2001) (1 page).

(List continued on next page.)

*Primary Examiner*—Philip S. Hyder

(74) *Attorney, Agent, or Firm*—Fitch, Even, Tabin & Flannery

(57) **CLAIM**

I claim the ornamental design for a ground block, as shown and described.

**DESCRIPTION**

FIG. 1 is a perspective view of a ground block according to my new design, the broken lines of which are for illustrative purposes only and form no part of the claimed design;

FIG. 2 is a front elevational view of the ground block of FIG. 1;

FIG. 3 is a plan view of the ground block of FIG. 1;

FIG. 4 is a right side elevational view of the ground block of FIG. 1;

FIG. 5 is a rear elevational view of the ground block of FIG. 1;

FIG. 6 is a bottom view of the ground block of FIG. 1;

FIG. 7 is a left side elevational view of the ground block of FIG. 1;

FIG. 8 is a perspective view of an alternative ground block according to my new design, the broken lines of which are for illustrative purposes only and form no part of the claimed design;

FIG. 9 is a front elevational view of the ground block of FIG. 8;

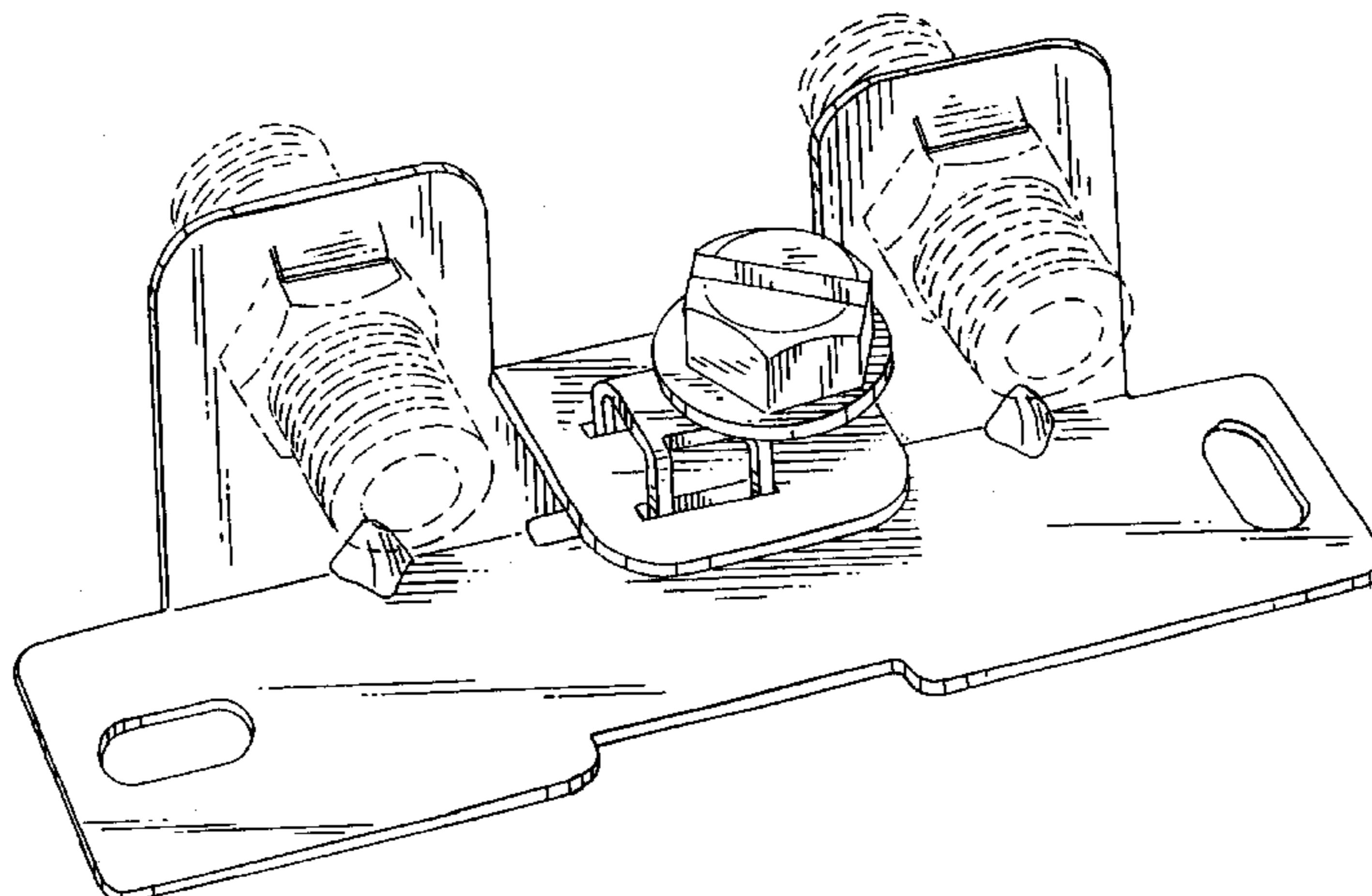
FIG. 10 is a plan view of the ground block of FIG. 8;

FIG. 11 is a right side elevational view of the ground block of FIG. 8;

FIG. 12 is a rear elevational view of the ground block of FIG. 8;

FIG. 13 is a bottom view of the ground block of FIG. 8; and, FIG. 14 is a left side elevational view of the ground block of FIG. 8.

**1 Claim, 6 Drawing Sheets**



# US D486,791 S

Page 2

## U.S. PATENT DOCUMENTS

926,030	A	6/1909	Stout
933,311	A	9/1909	Klein
982,995	A	1/1911	Rogers
1,205,374	A	11/1916	Marcus
1,210,764	A	1/1917	Cole
1,349,225	A	8/1920	Rosenblum
1,408,301	A	2/1922	Jeter
1,486,560	A	3/1924	Becker
1,540,249	A	6/1925	Brown
1,552,932	A	9/1925	Kessler
1,597,169	A	8/1926	Taylor
1,652,191	A	12/1927	Withers
1,675,163	A	6/1928	Colburn
1,690,220	A	11/1928	Fahnestock
1,727,219	A	9/1929	Scharf et al.
1,794,976	A	3/1931	Mueller
1,810,901	A	6/1931	Bormann et al.
1,813,448	A	7/1931	Horton
1,910,022	A	5/1933	Legg
1,941,905	A	1/1934	Mair
1,986,028	A	1/1935	Terry
1,997,091	A	4/1935	Usselman
2,040,438	A	5/1936	Johnson
2,107,835	A	2/1938	Pierce
2,260,136	A	10/1941	Bergan
2,270,807	A	1/1942	Johnson
2,299,146	A	10/1942	Hubbard
2,420,895	A	5/1947	Merriman
2,423,627	A	7/1947	Tinnerman
2,458,413	A	1/1949	Pennell
2,529,153	A	11/1950	Hain
2,532,068	A	11/1950	Larsen
2,547,932	A	4/1951	Downs, Jr.
2,632,068	A	3/1953	Froebel et al.
2,710,381	A	6/1955	Monson
2,733,492	A	2/1956	Copell
2,811,704	A	10/1957	Newman
2,831,222	A	4/1958	Anderson
2,948,940	A	8/1960	Degener
2,970,287	A	1/1961	Gill
3,021,581	A	2/1962	Cook et al.
D197,417	S	1/1964	Kirkpatrick
3,129,994	A	4/1964	Harmon et al.
3,166,632	A	1/1965	Woodman
3,188,602	A	6/1965	Toedtman et al.
3,260,986	A	7/1966	Staffel
3,363,219	A	1/1968	Hubbard et al.
3,363,310	A	1/1968	Stinson, Jr.
3,435,126	A	3/1969	Hamilton
3,528,050	A	9/1970	Hinderburg
3,568,128	A	3/1971	Taylor
3,694,794	A	9/1972	Hein
3,760,341	A	9/1973	Grad
3,781,757	A	12/1973	Barnes
3,850,490	A	11/1974	Zehr
3,914,001	A	10/1975	Nelson et al.
4,014,504	A	3/1977	Sachs
4,325,598	A	4/1982	Leonardo
4,355,852	A	10/1982	Bachle
4,440,374	A	4/1984	Achille
4,461,521	A	7/1984	Sachs
4,476,759	A	10/1984	Aderneck
4,526,428	A	7/1985	Sachs
4,529,261	A	7/1985	Stenz et al.
4,538,879	A	9/1985	Wagener
4,591,229	A	5/1986	Sachs
4,626,051	A	12/1986	Franks, Jr.
4,664,469	A	5/1987	Sachs
4,742,981	A	5/1988	Converse
D296,545	S	7/1988	Sachs

D296,546	S	7/1988	Sachs	
D296,547	S	7/1988	Sachs	
D297,410	S	* 8/1988	Sachs	..... D8/356
4,768,963	A	9/1988	Barron	
4,776,808	A	10/1988	Davidson	
4,778,413	A	10/1988	Saarinen	
4,780,096	A	10/1988	Franks, Jr.	
4,784,621	A	11/1988	Auclair	
4,828,504	A	5/1989	Franks, Jr.	
4,884,976	A	12/1989	Franks, Jr.	
4,904,193	A	2/1990	Graves	
4,917,615	A	4/1990	Franks, Jr.	
4,925,395	A	5/1990	Franks, Jr.	
D312,038	S	11/1990	Sachs	
4,973,259	A	11/1990	Sachs	
D313,392	S	1/1991	Sachs	
4,993,960	A	2/1991	Franks, Jr.	
5,006,074	A	4/1991	Franks, Jr.	
5,015,205	A	5/1991	Franks, Jr.	
D323,973	S	2/1992	Sachs	
5,114,354	A	5/1992	Franks, Jr.	
D329,014	S	9/1992	Sachs	
D335,079	S	4/1993	Sachs	
D340,226	S	10/1993	Sachs	
D343,385	S	1/1994	Sachs	
D344,886	S	3/1994	Sachs	..... D8/373
D351,825	S	10/1994	Sachs	..... D13/154
5,370,345	A	12/1994	Condon	
D357,400	S	4/1995	Sachs	..... D8/356
D362,174	S	9/1995	Sachs	..... D8/354
D364,332	S	* 11/1995	Sachs	..... D8/354
D367,259	S	2/1996	Sachs	..... D8/133
D369,780	S	5/1996	Sachs	..... D8/133
5,681,191	A	* 10/1997	Robicheau et al.	..... 439/877
5,746,609	A	5/1998	Franks, Jr.	..... 439/92
D395,997	S	* 7/1998	Coll et al.	..... D8/354
D406,813	S	3/1999	Coll et al.	
5,928,006	A	* 7/1999	Franks, Jr.	..... 439/92
6,252,166	B1	* 6/2001	Leschinger	..... 174/51
6,283,771	B1	9/2001	Mitchell et al.	
D459,302	S	* 6/2002	Malin	..... D13/133
D459,304	S	* 6/2002	Malin	..... D13/133
D459,305	S	* 6/2002	Malin	..... D13/133
D459,306	S	* 6/2002	Malin	..... D13/133

## OTHER PUBLICATIONS

Senior Industries, Inc. product literature "2 New Ground Clamp Systems" (date prior to Nov. 27, 2001) (1 page).

Senior Industries, Inc. product literature entitled "Structure Ground Clamps" date prior to Nov. 27, 2001 (1 page).

Senior Industries, Inc. product literature entitled "Bonding Ribbon Clamps" (date prior to Nov. 27, 2001) (1 page).

Senior Industries, Inc. product literature entitled "Grounding Connectors" (date prior to Nov. 27, 2001) (1 page).

Senior Industries, Inc. product literature for clamps and connectors (date prior to Nov. 27, 2001) (2 pages).

Senior Industries, Inc. product literature entitled "Universal Ground Clamp" (date prior to Nov. 27, 2001) (1 page).

Senior Industries, Inc. product literature entitled "B Strand Ground Clamp, Beam Clamp, B Ground Wire Clamp" (date prior to Nov. 27, 2001) (1 page).

Thomas & Betts product brochure entitled "T&B Telecommunications 40-2000X Grounding Clamp" (1998) (3 pages).

Diamond Communication Products, Inc. product brochure entitled "Meter Box Ground Clamp" (date prior to Nov. 27, 2001) (1 page).

Sachs Canada, Inc. product literature entitled "SaxInfo Industry & Product News" (date prior to Nov. 27, 2001) (1 page).

Sachs Canada, Inc. product literature entitled "SC51-1 Application Procedures" (date prior to Nov. 27, 2001) (1 page).

Sachs Communications, Inc. product literature entitled "SC51-1 Application Procedures" (date prior to Nov. 27, 2001) (1 page).

Sachs Canada, Inc. product literature entitled "SC51-2SS Application Procedures" (date prior to Nov. 27, 2001) (1 page).

Sachs Canada, Inc. product brochure entitled "SC51-2SS Application Procedures" (date prior to Nov. 27, 2001) (1 page).

Diamond/Sachs Communications Inc. product literature entitled "SC51CF-81 Application Procedures" (date prior to Nov. 27, 2001) (1 page).

Diamond/Sachs Communications Inc. product literature entitled "SC51CF-85 Application Procedures" (date prior to Nov. 27, 2001) (1 page).

Sachs Communications Inc. product literature entitled "Bonding Connector" (date prior to Nov. 27, 2001) (1 page).

Allied Bolt, Inc. product brochure entitled "Drop Wire Hardware", (1998) (1 pages).

Allied Bolt, Inc. product literature entitled "Grounding Hardware" (date prior to Nov. 27, 2001) (1 page).

Arris Telewire Supply product literature for Monarch Grounding Products (undated) (1 page).

Holland Electronics LLC product brochure entitled "Connectors" (2002) (1 page).

Sachs Canada Inc. product literature entitled "Grounding & Bonding" (1991) (pp. GB1 and GB2).

Sachs Canada Inc. product literature entitled "Up Grading Additional Outlets" (1991) (1 page).

Sachs Canada Inc. product literature entitled "SC42 Bonding Connector Application" (1991) (1 page).

Sachs Canada Inc. product literature entitled "SaxInfo Industry and Product News" for "SC42-Ground Connector" (date prior to Nov. 27, 2001) (1 page).

Sachs Canada Inc. product literature entitled "Bonding Cable & Equipment at Pedestal" (1991) (1 page).

Sachs Canada Inc. product literature entitled "Bonding Connection at Meter Pan" (1991) (1 page).

Sachs Canada Inc. product brochure entitled "SC51-1 Application Sheet" (date prior to Nov. 27, 2001) (1 page).

Sachs product brochure entitled "SC51-2SS Application Procedures" (date prior to Nov. 27, 2001) (1 page).

Sachs Canada Inc. product literature entitled "SC13 Series Ground Strap Application" (1991) (1 page).

Sachs product literature entitled "SC13BZ-4 Application Procedures" (dated prior to Nov. 27, 2001) (2 pages).

Sachs Canada Inc. product literature entitled "Grounding Customer Drops" (1991) (1 page).

Thomas & Betts "Product Handbook" (1998) (pp. cover page, 66, 67, 71-89, 126, 127, 142, 143).

Sachs Communications Product Book (1995) (pp. cover, 30-33, 40, 41, 44-47, 56-59, 70, 71, 76-79, 82, 83 and 86-90).

Peter J. Schram, *The National Electric Code Handbook*, Third Edition (1984), p. 195, National Fire Protection Association, Quincy, Massachusetts.

\* cited by examiner

FIG. 1

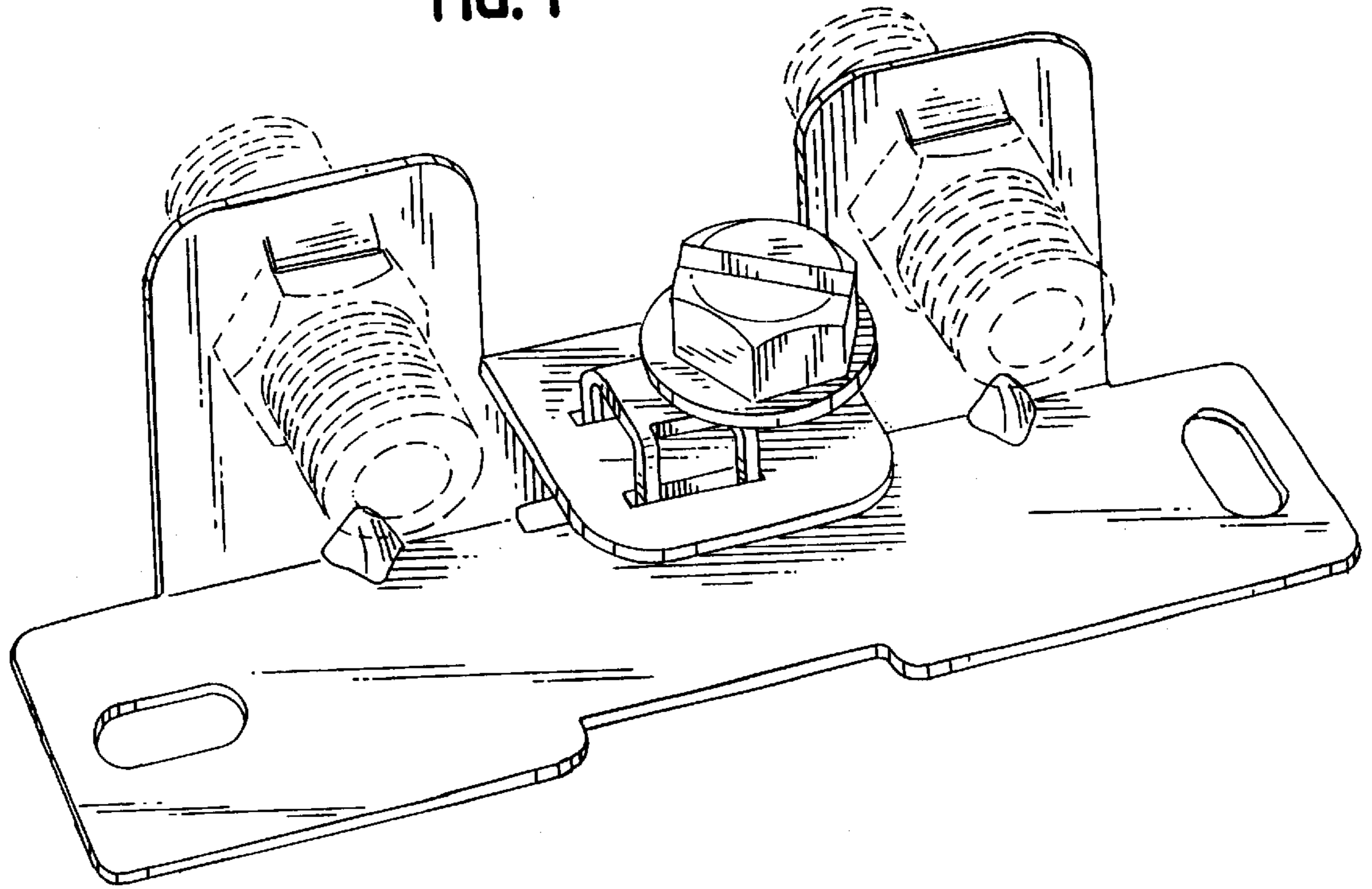


FIG. 2

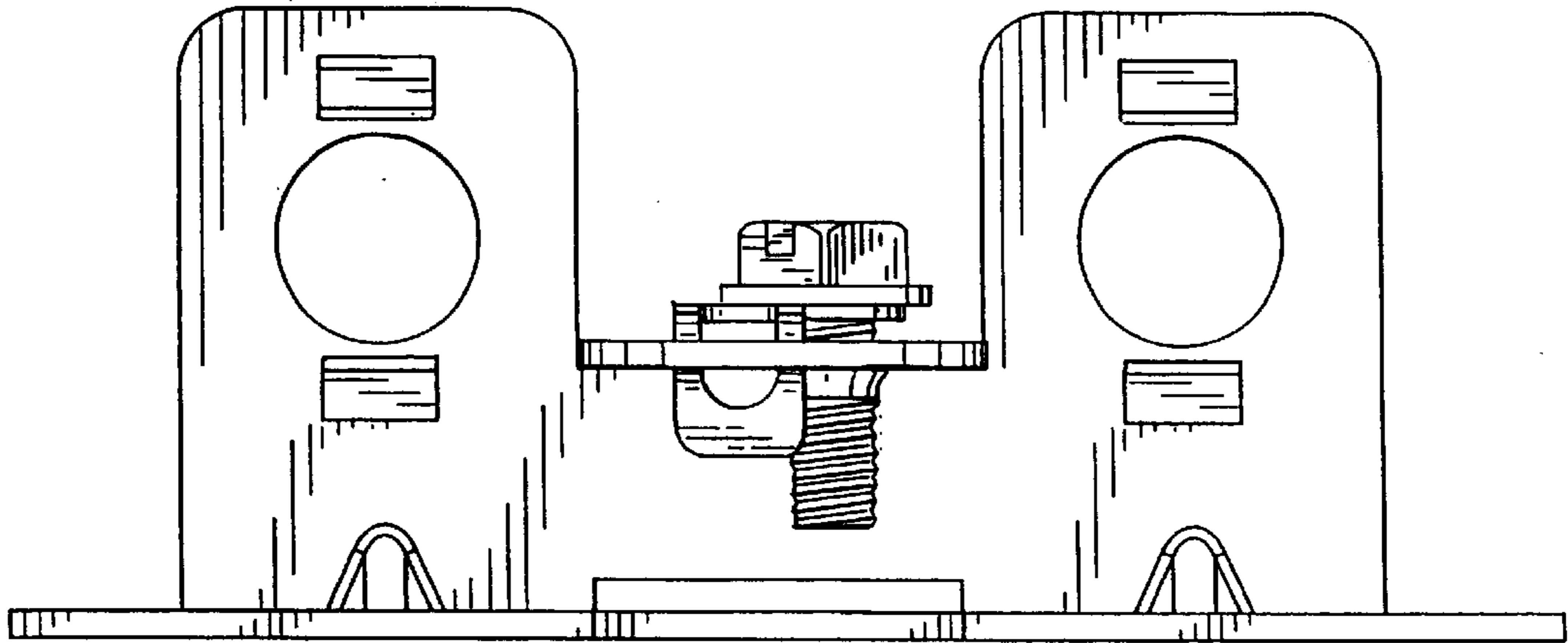


FIG. 3

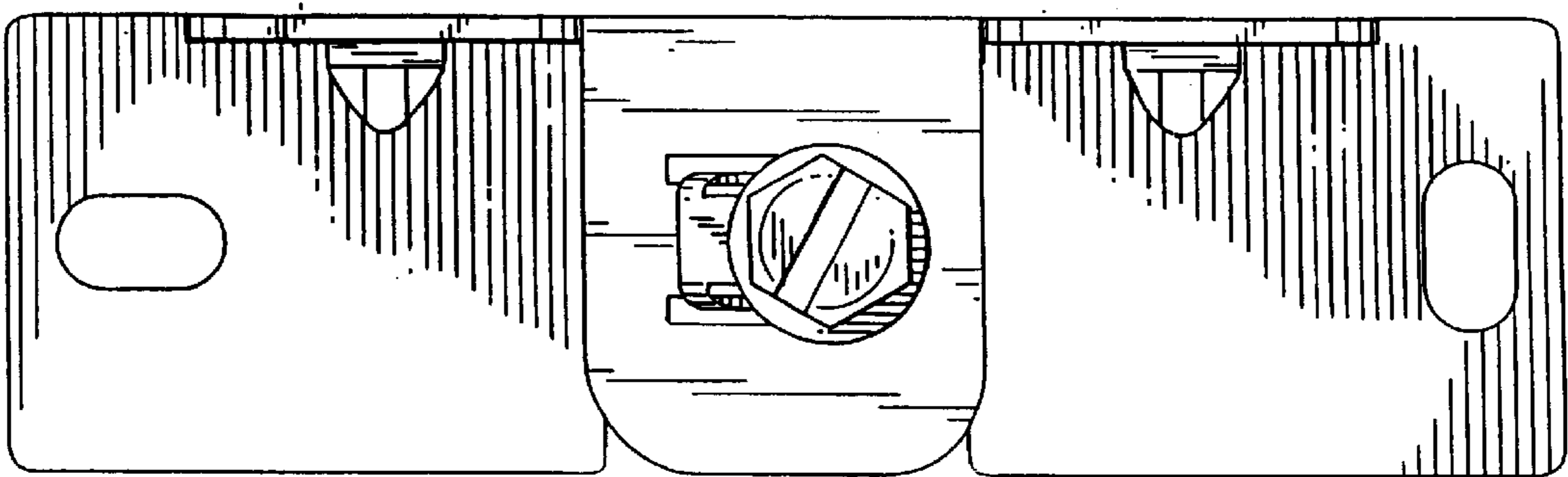
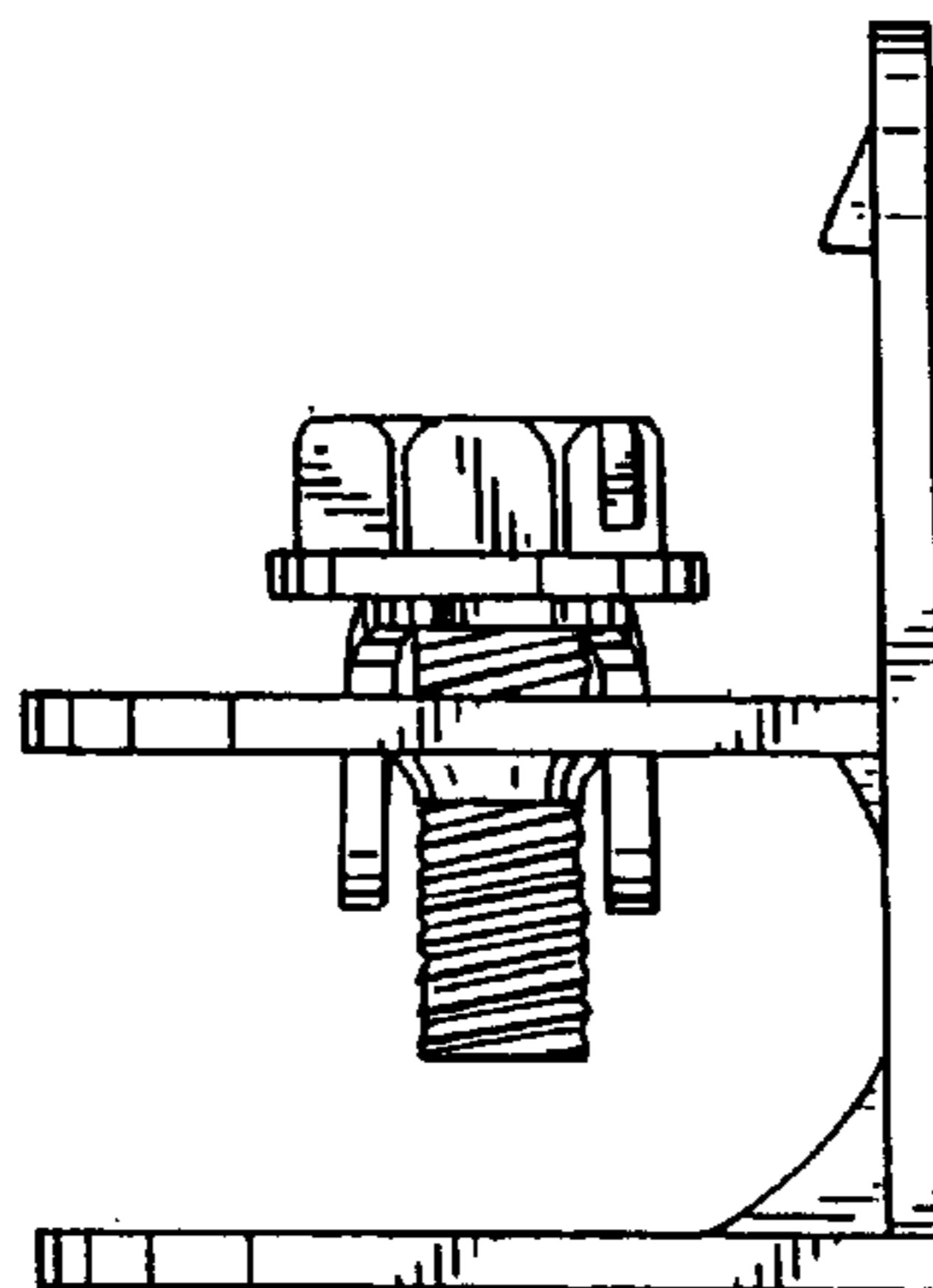
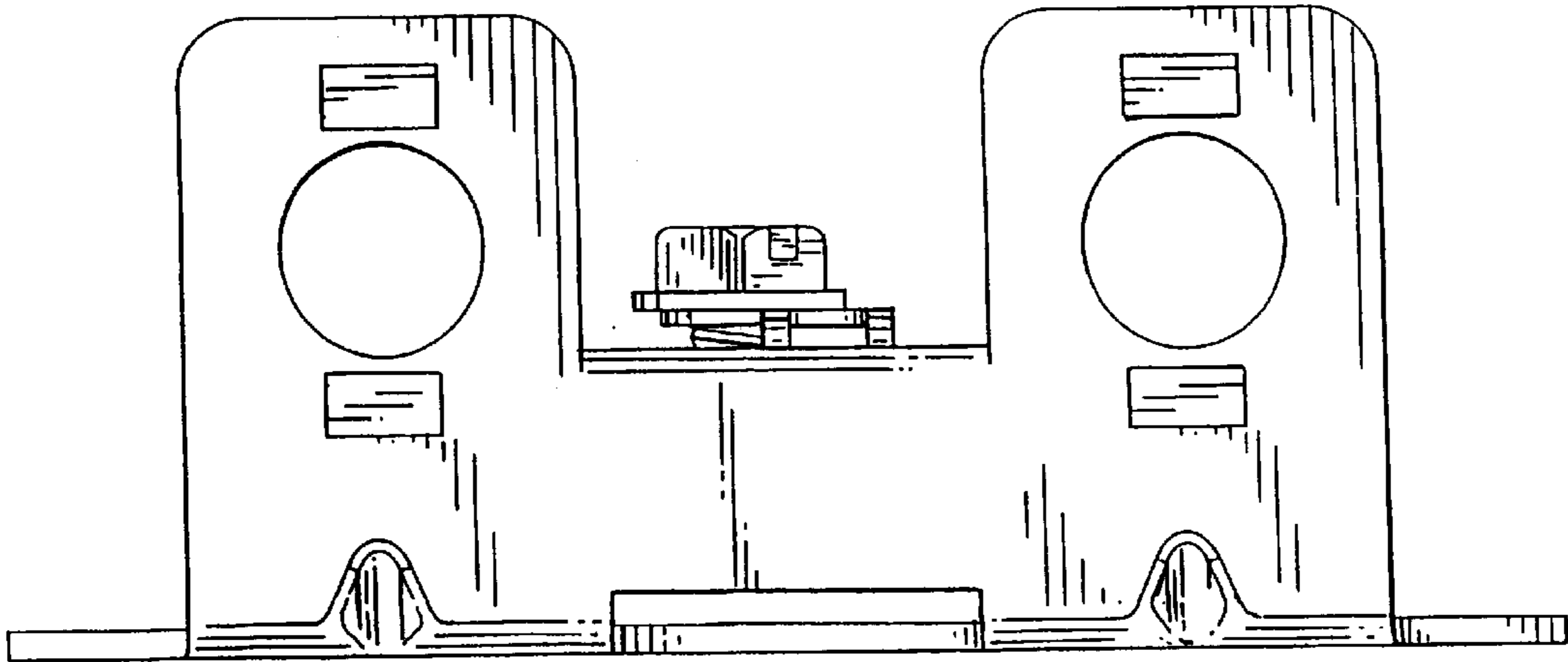


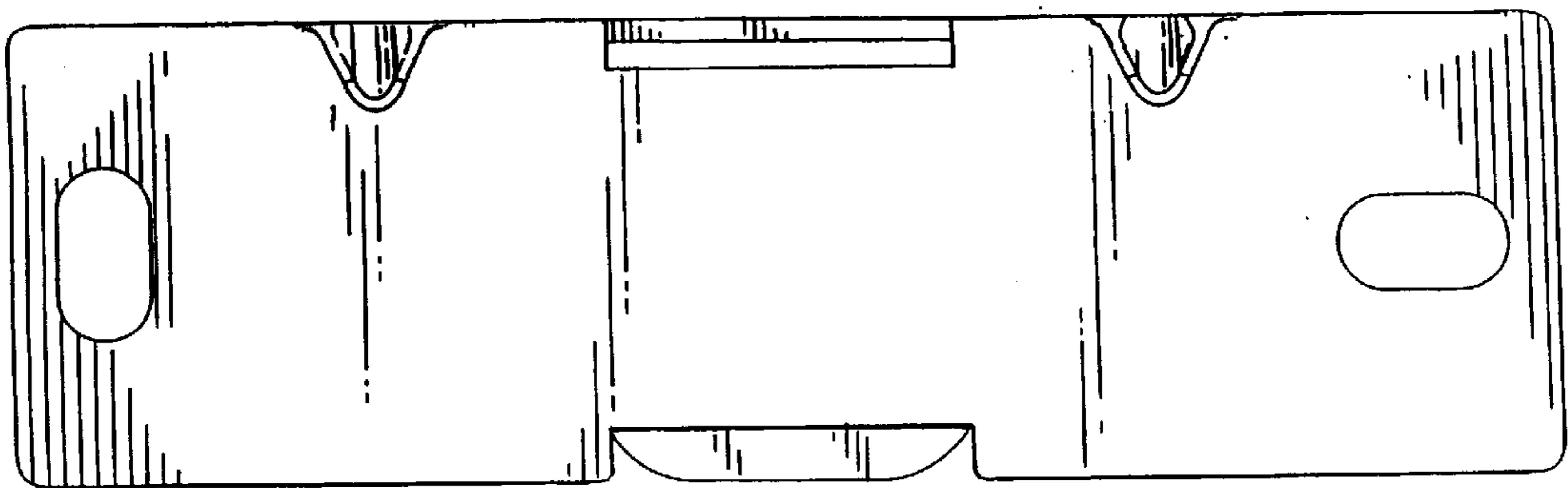
FIG. 4



**FIG. 5**



**FIG. 6**



**FIG. 7**

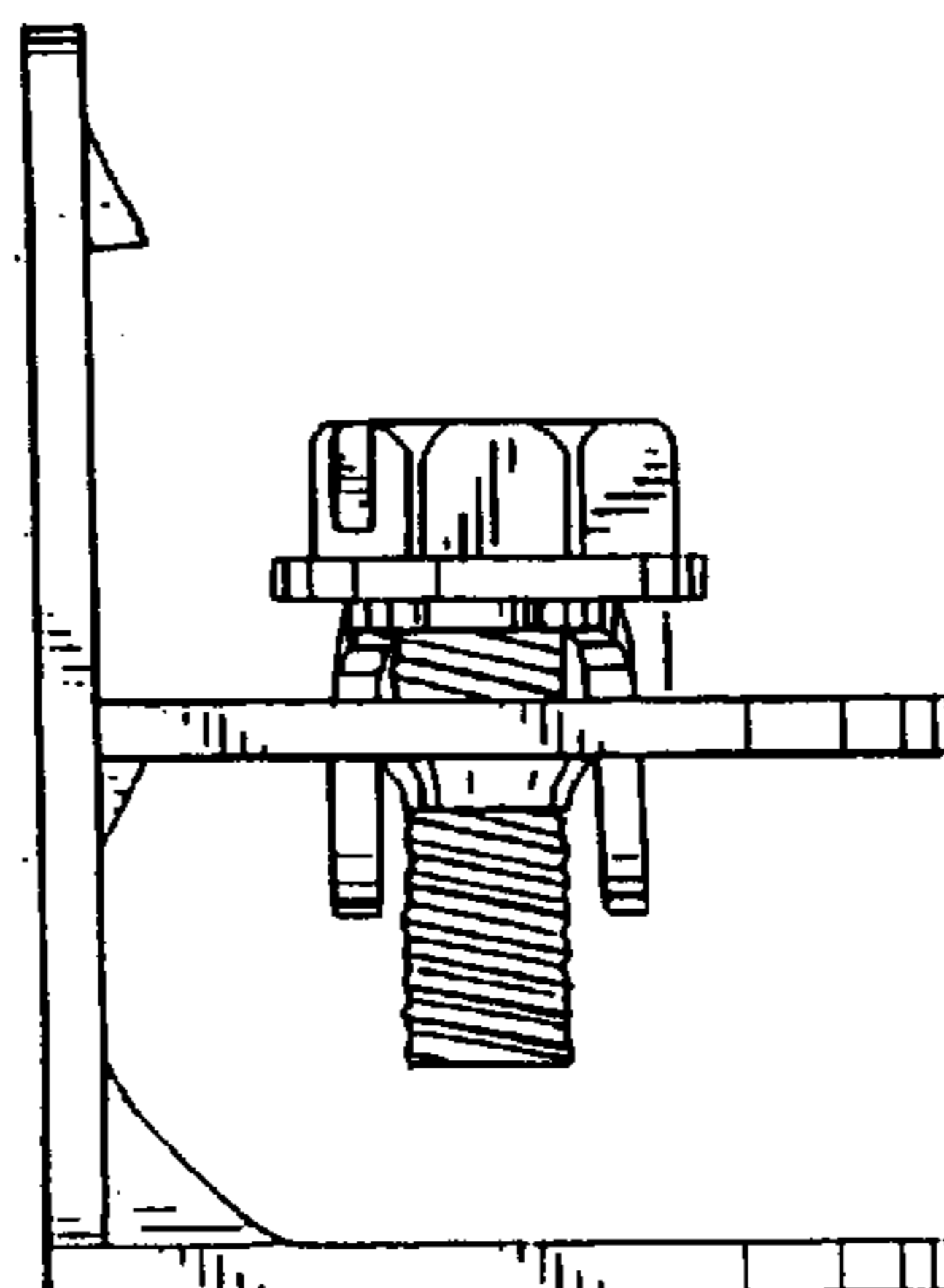


FIG. 8

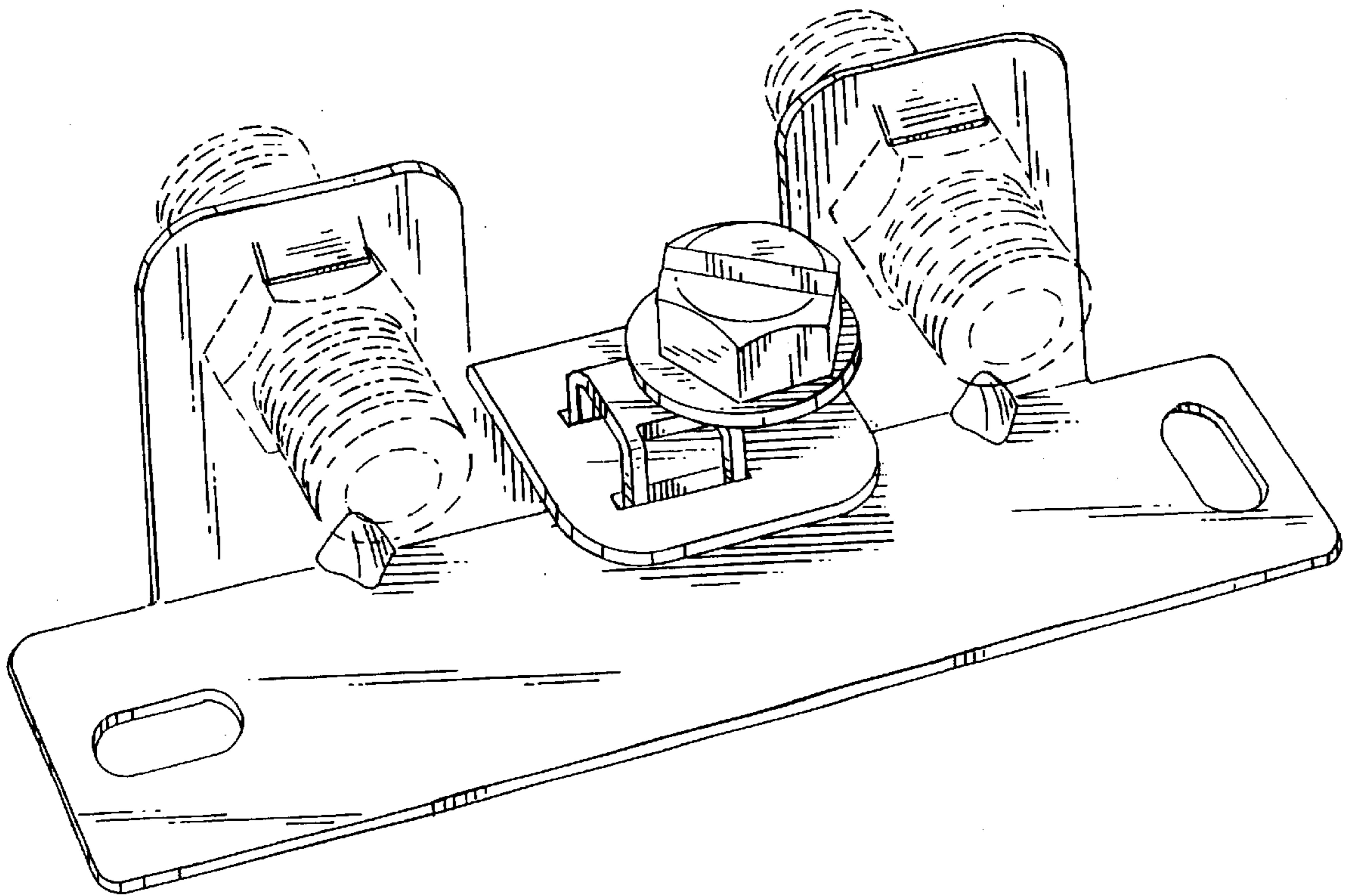


FIG. 9

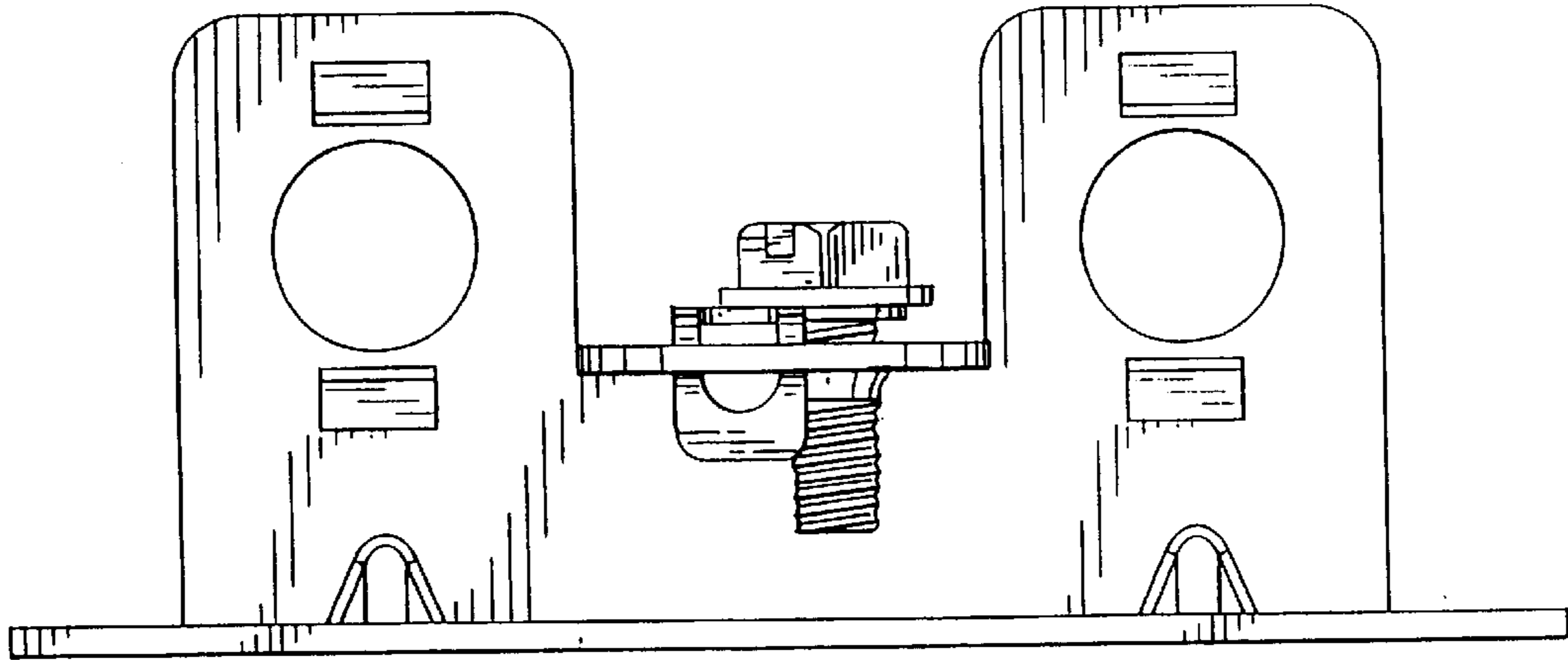


FIG. 10

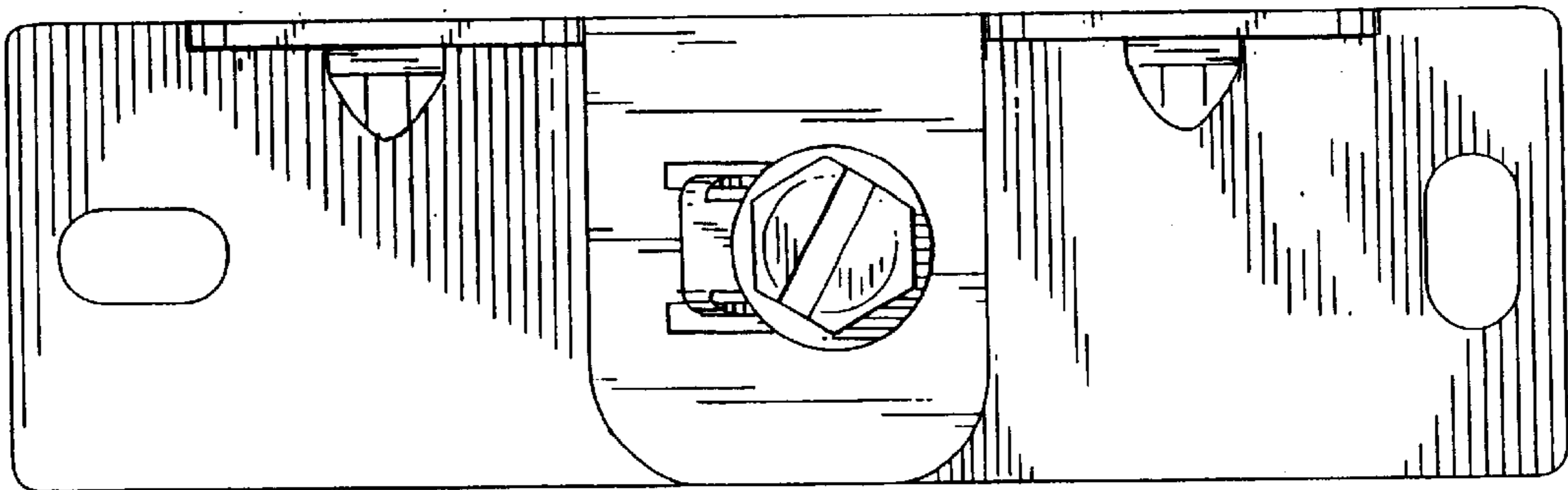


FIG. 11

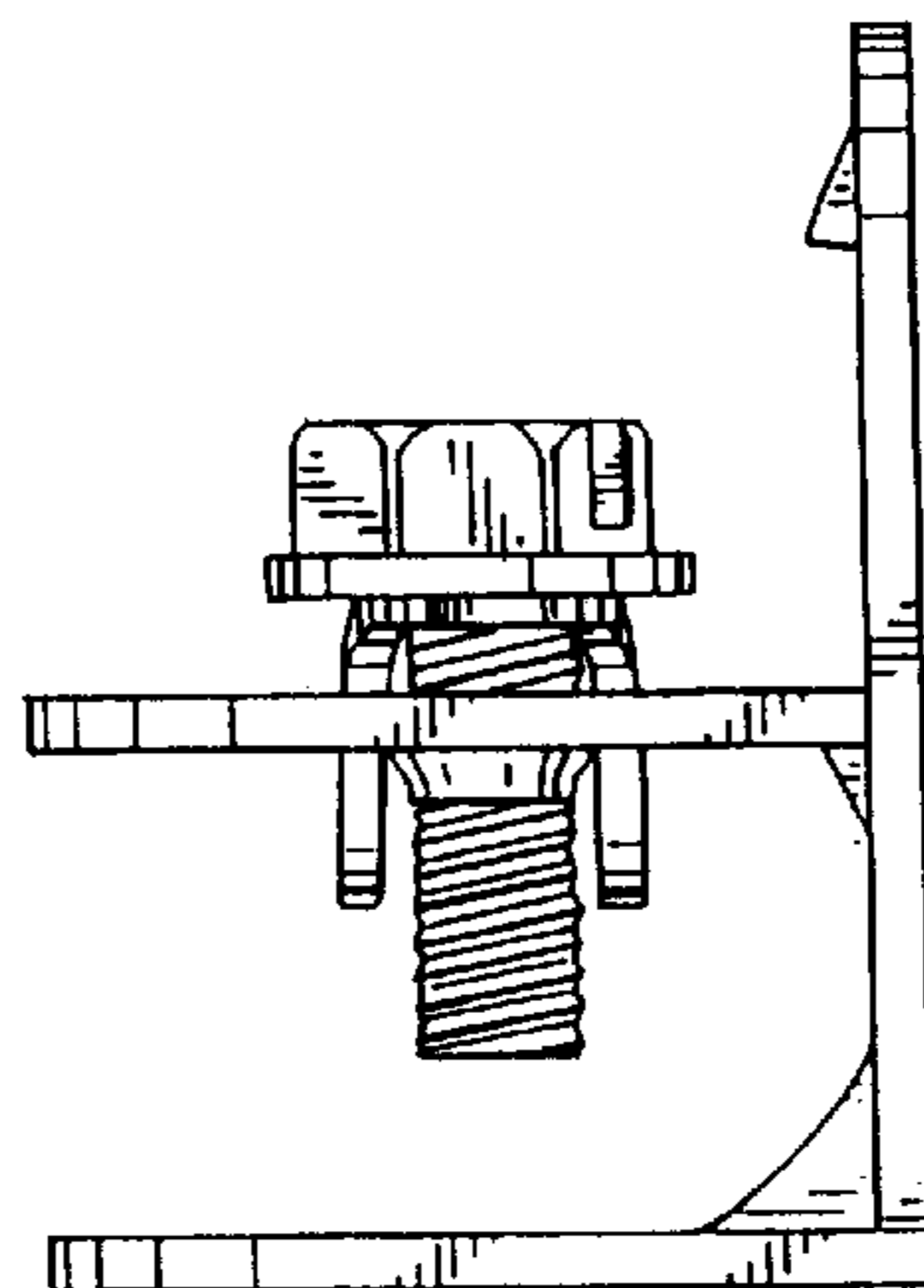




FIG. 12

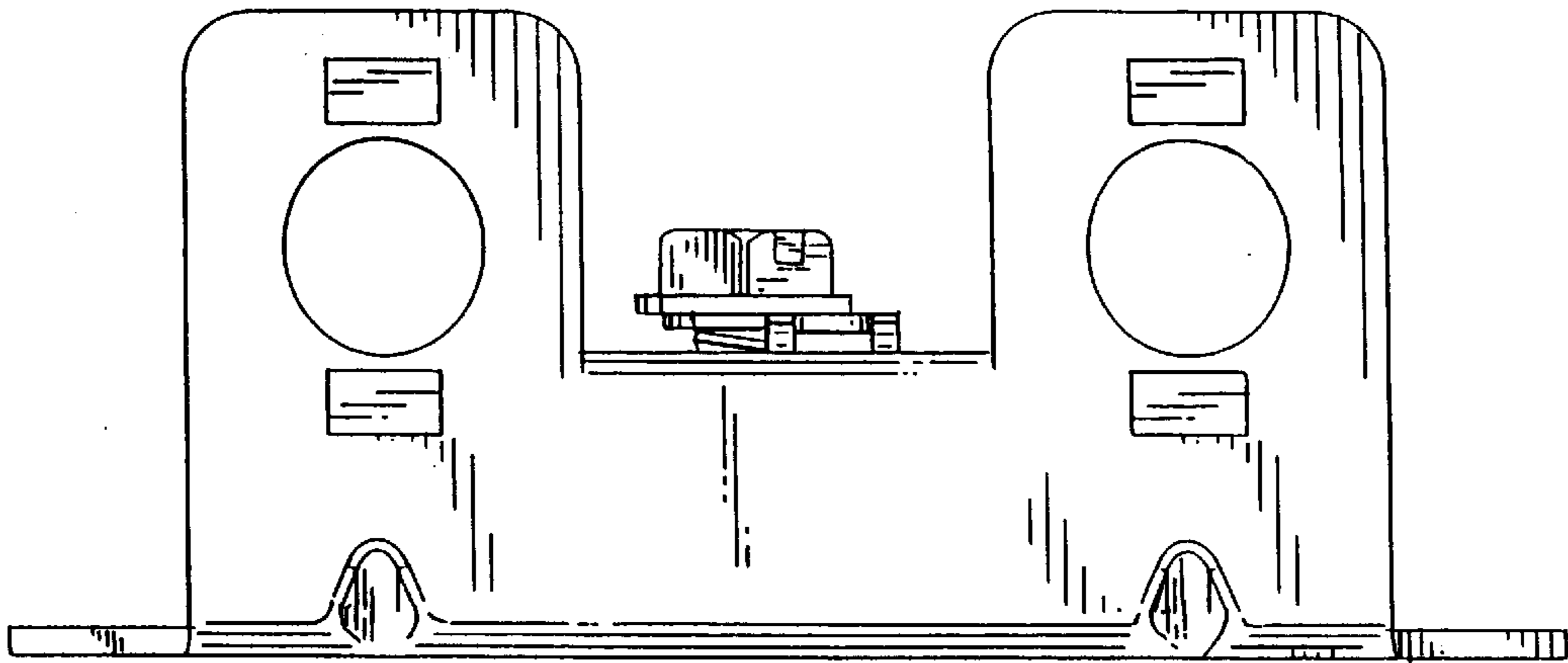


FIG. 13

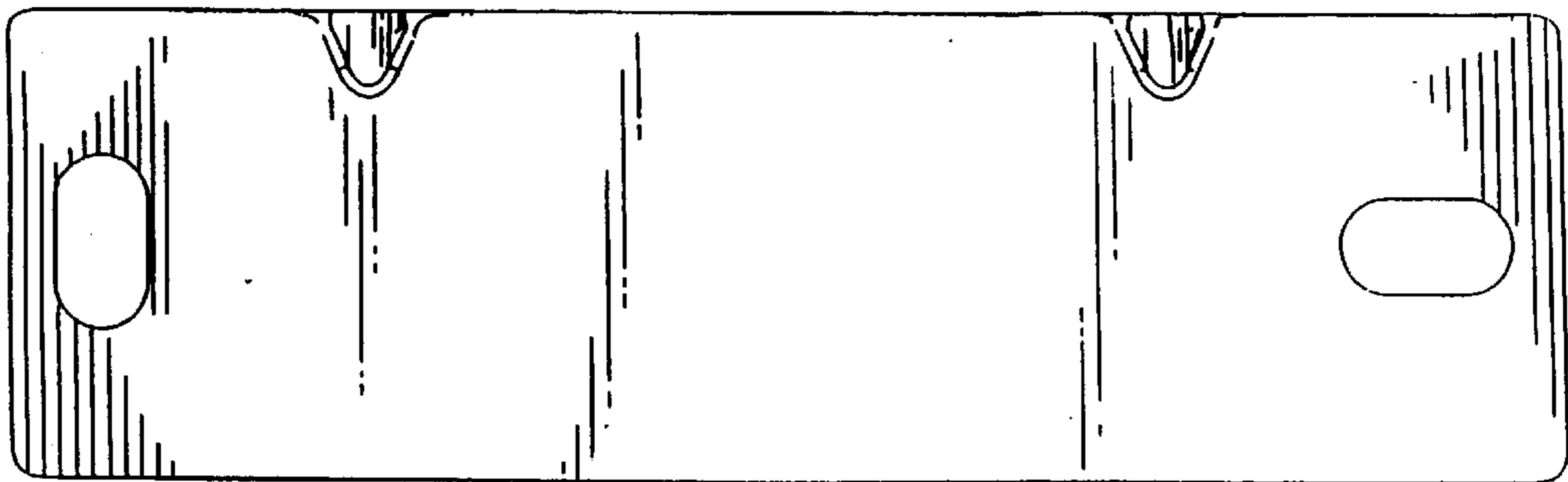


FIG. 14

