



US00D486790S

(12) **United States Design Patent**
Kondas

(10) **Patent No.: US D486,790 S**

(45) **Date of Patent: ** Feb. 17, 2004**

(54) **ELECTRICAL TERMINAL**

(75) Inventor: **Shawn J. Kondas**, Kendallville, IN
(US)

(73) Assignee: **Pent Assemblies, Inc.**, Kendallville, IN
(US)

(**) Term: **14 Years**

(21) Appl. No.: **29/150,770**

(22) Filed: **Nov. 20, 2001**

(51) **LOC (7) Cl. 13-03**

(52) **U.S. Cl. D13/133; D13/146**

(58) **Field of Search D13/133, 146;**
439/748, 749, 830, 845, 857, 862

(56) **References Cited**

U.S. PATENT DOCUMENTS

- 3,012,221 A * 12/1961 Stanley 439/857 X
- 4,148,547 A * 4/1979 Otsuki et al. 439/682
- 4,553,808 A * 11/1985 Weidler et al. 439/830 X
- 4,764,133 A * 8/1988 Kaneko 439/889

- 4,790,779 A * 12/1988 Billman et al. 439/842
- 5,024,610 A * 6/1991 French et al. 439/857
- 5,112,235 A * 5/1992 Enomoto et al. 439/83
- 5,766,045 A * 6/1998 Sawaki et al. 439/857

* cited by examiner

Primary Examiner—Joel Sincavage

(74) *Attorney, Agent, or Firm*—Taylor & Aust, P.C.

(57) **CLAIM**

The ornamental design for an electrical terminal, as shown and described.

DESCRIPTION

FIG. 1 is a perspective view of an electrical terminal showing my new design;
 FIG. 2 is an end view thereof;
 FIG. 3 is an opposite end view thereof;
 FIG. 4 is a top view thereof;
 FIG. 5 is a side view thereof;
 FIG. 6 is an alternate side view thereof; and,
 FIG. 7 is a bottom view thereof.

1 Claim, 3 Drawing Sheets

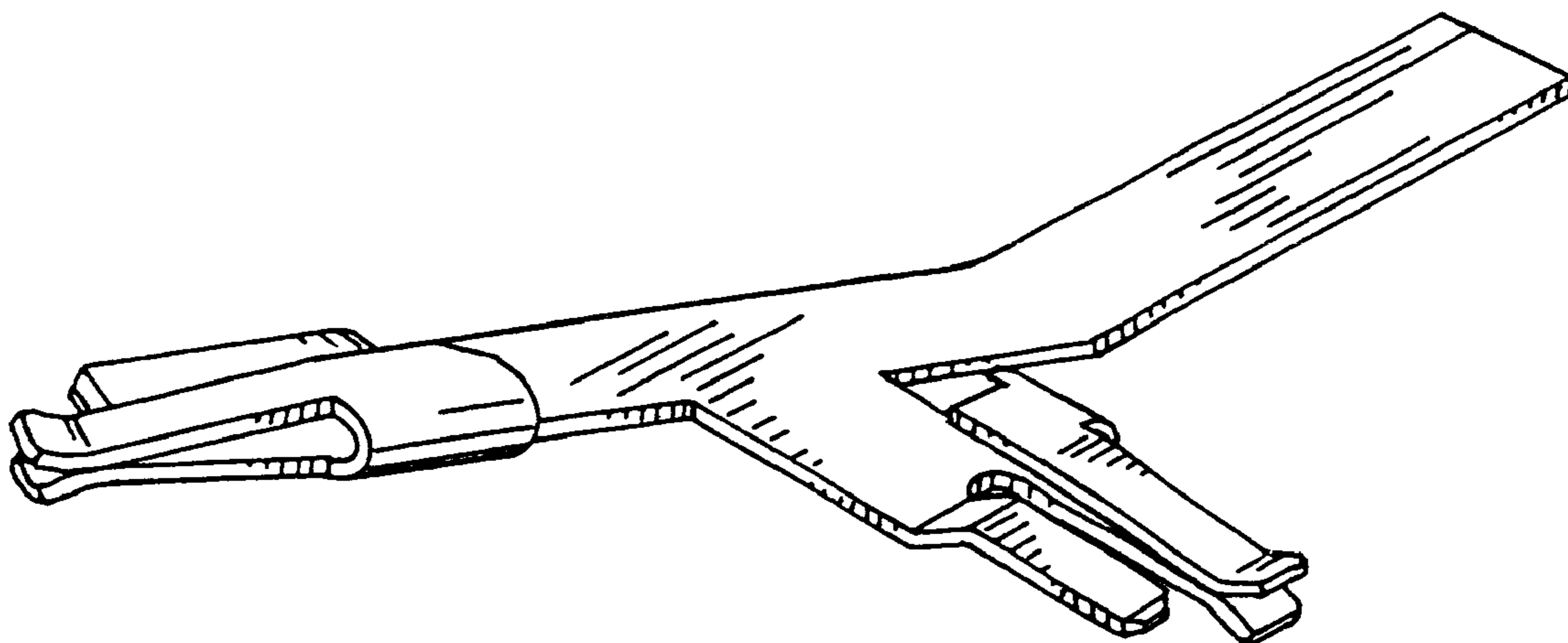




FIG. 2



FIG. 3

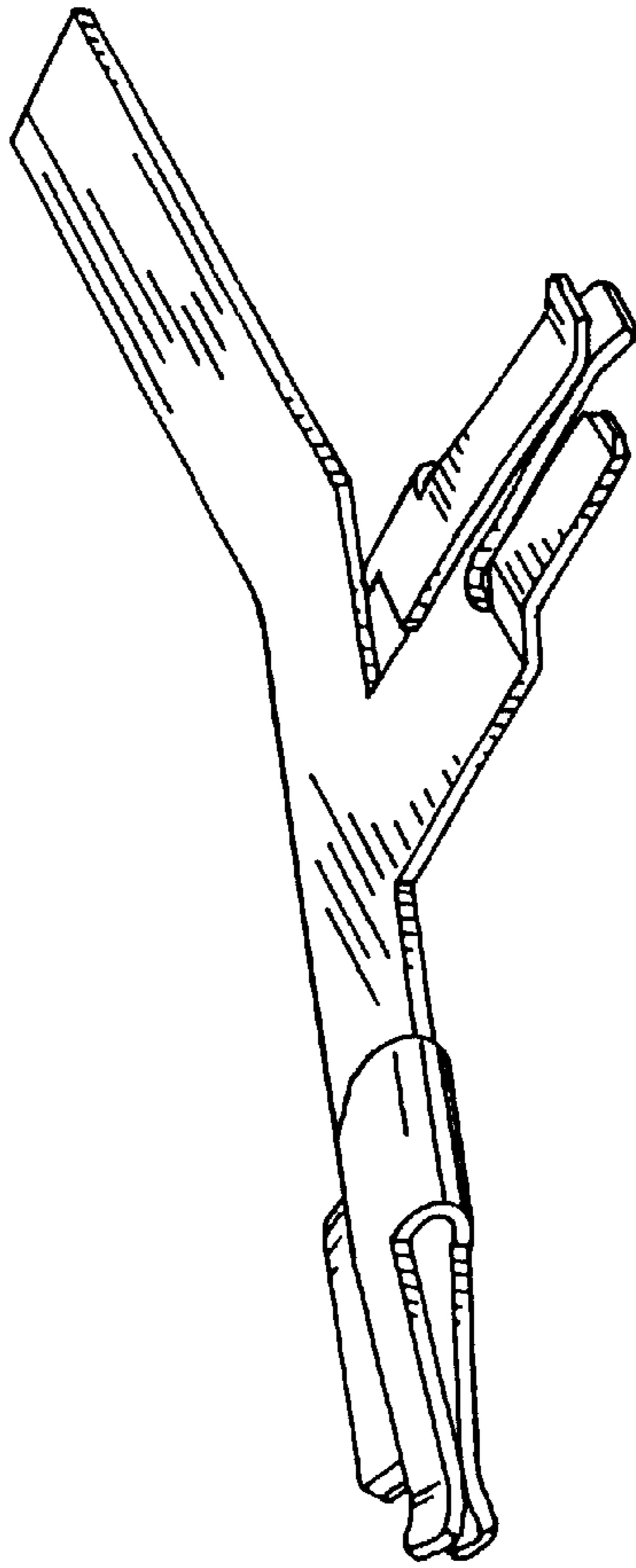


FIG. 1

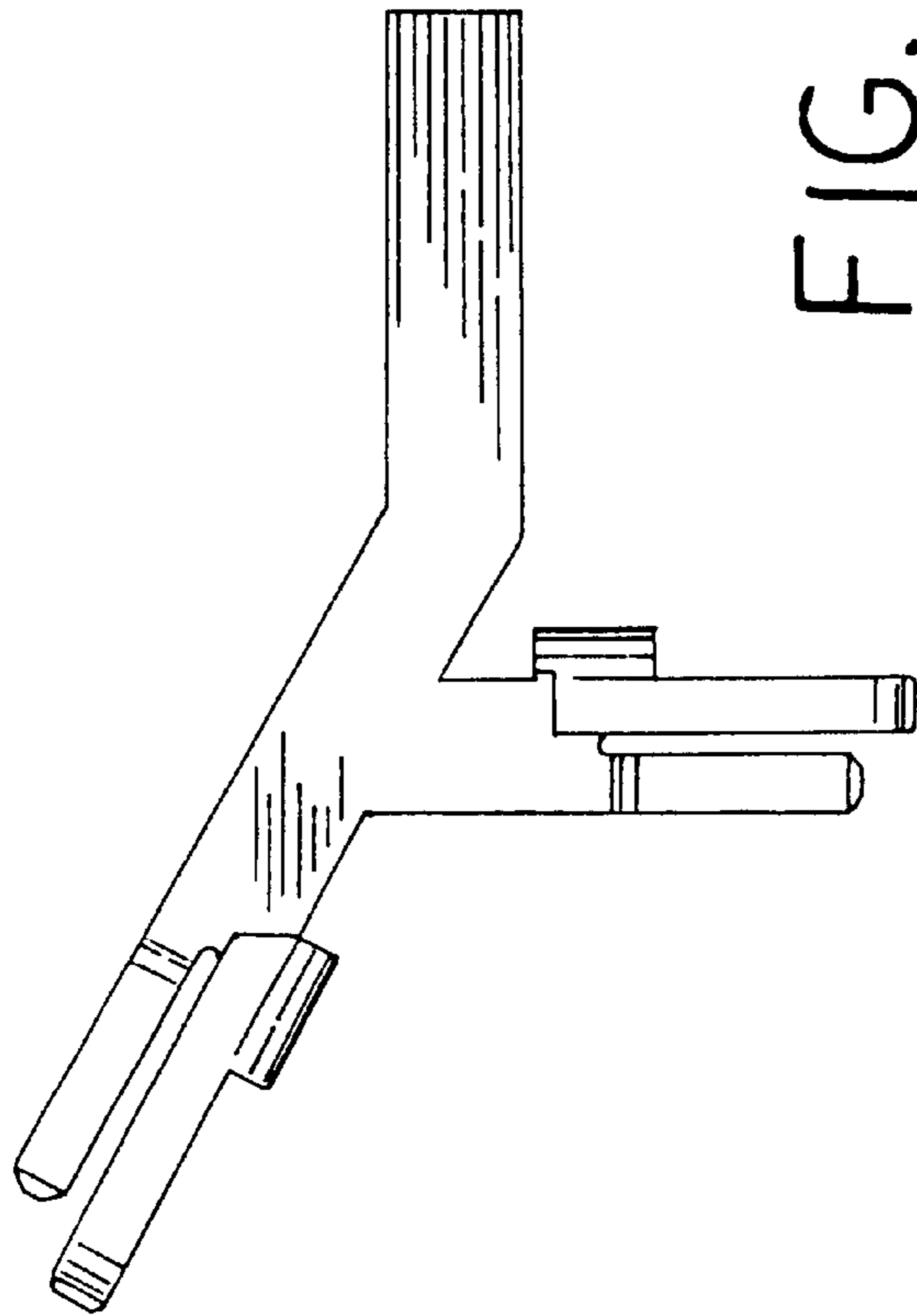


FIG. 4



FIG. 5



FIG. 6

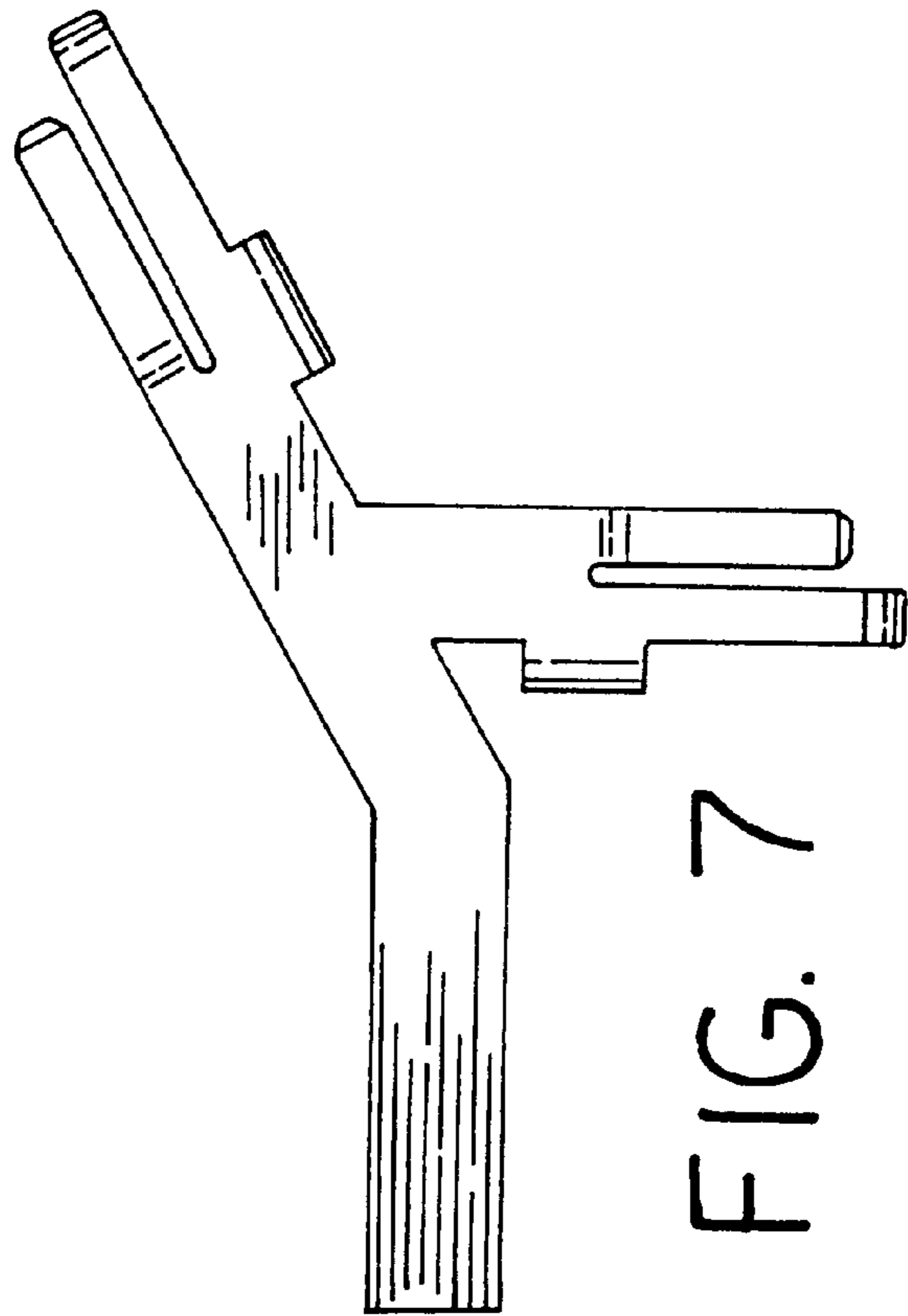


FIG. 7