



US00D486789S

(12) **United States Design Patent**  
**Santiago**

(10) **Patent No.:** **US D486,789 S**

(45) **Date of Patent:** **\*\* Feb. 17, 2004**

(54) **BATTERY PACK LOWER PORTION**

(75) **Inventor:** **Jose Carlito Santiago**, Grand Rapids, MI (US)

(73) **Assignee:** **Bissell Homecare, Inc.**, Grand Rapids, MI (US)

(\*\*) **Term:** **14 Years**

(21) **Appl. No.:** **29/178,356**

(22) **Filed:** **Mar. 25, 2003**

(51) **LOC (7) Cl.** ..... **13-02**

(52) **U.S. Cl.** ..... **D13/119; D13/103**

(58) **Field of Search** ..... **D13/103, 119; 439/96-100, 159, 163, 176**

(56) **References Cited**

**U.S. PATENT DOCUMENTS**

- 4,943,498 A \* 7/1990 Cooper et al. .... 429/97
- 5,259,786 A \* 11/1993 Huang ..... 429/100 X
- D400,496 S \* 11/1998 Barber et al. .... D13/103
- D411,165 S \* 6/1999 Deslyper et al. .... D13/103
- D425,476 S \* 5/2000 Campbell et al. .... D13/103
- 6,153,834 A \* 11/2000 Cole et al. .... 429/100 X

- D439,877 S \* 4/2001 Vacheron et al. .... D13/103
- 6,326,766 B1 \* 12/2001 Small ..... 320/112
- 6,455,188 B1 \* 9/2002 McKay et al. .... 429/97
- D474,149 S \* 5/2003 Kawahata et al. .... D13/103

\* cited by examiner

*Primary Examiner*—Joel Sincavage

(74) *Attorney, Agent, or Firm*—McGarry Bair PC

(57) **CLAIM**

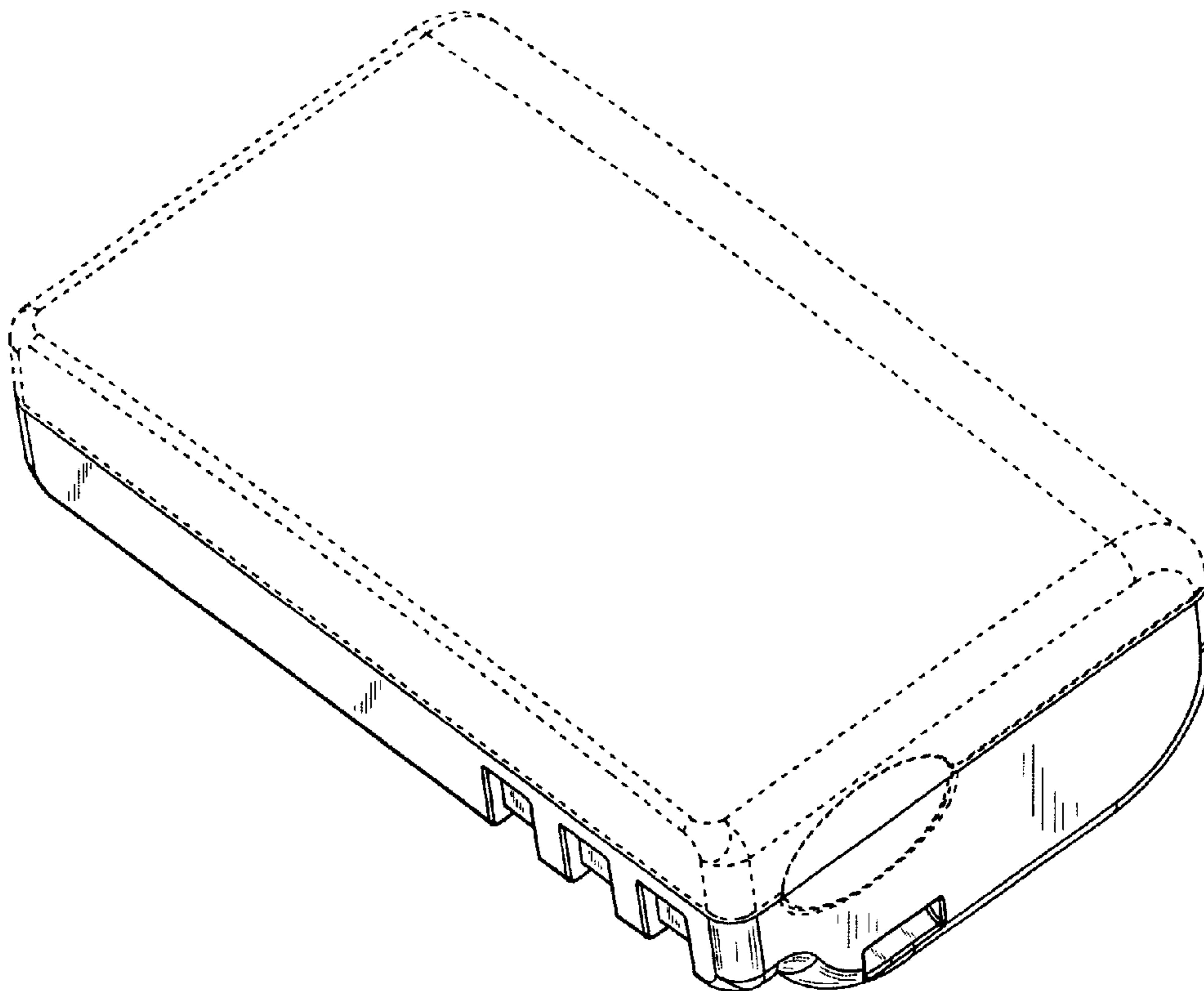
The ornamental design for a battery pack lower portion, as shown and described.

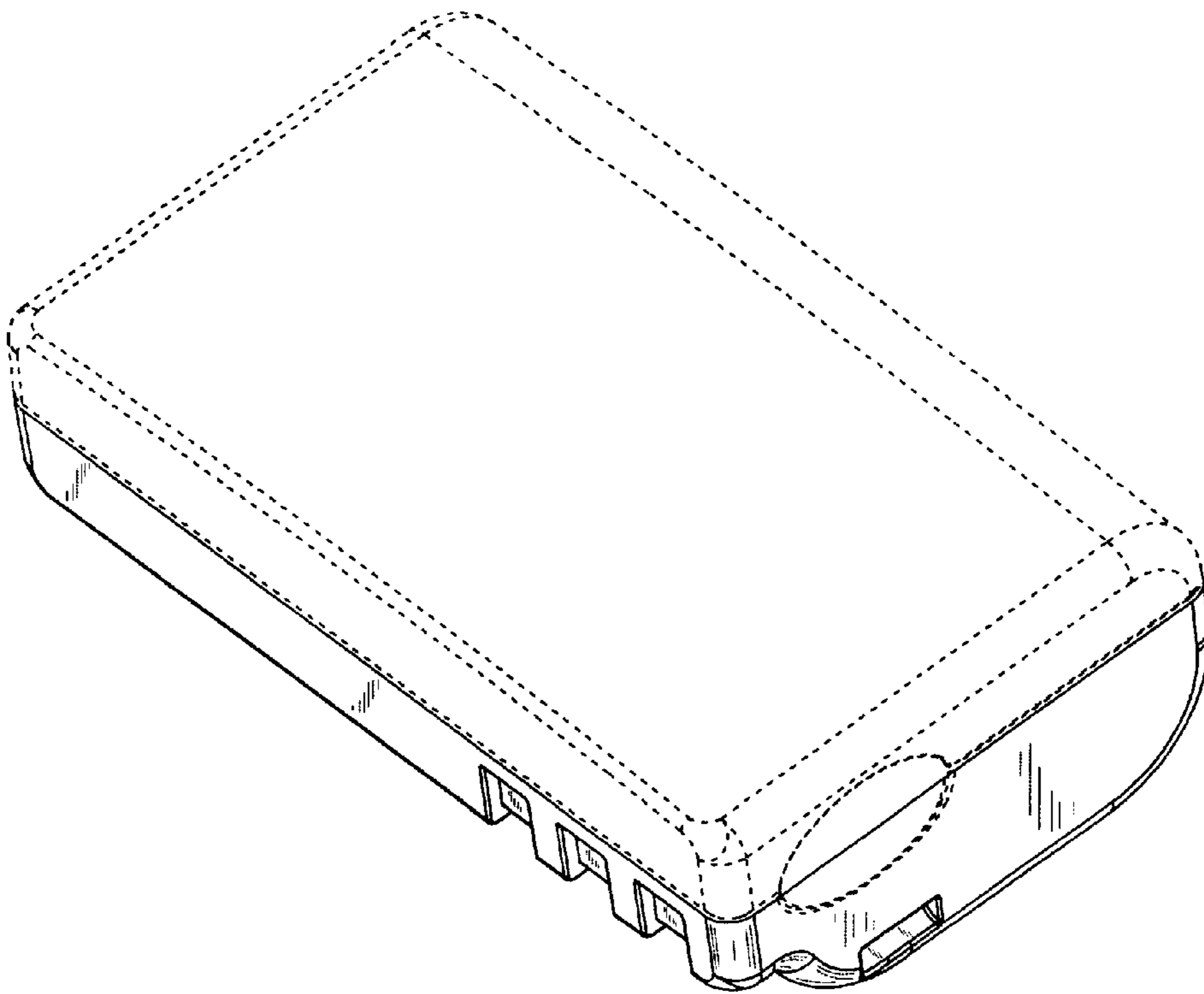
**DESCRIPTION**

FIG. 1 is a perspective view of a battery pack lower portion which embodies our design;  
 FIG. 2 is a front view thereof;  
 FIG. 3 is a rear view thereof;  
 FIG. 4 is a right side view thereof;  
 FIG. 5 is a left side view thereof;  
 FIG. 6 is a top view thereof; and,  
 FIG. 7 is a bottom view thereof.

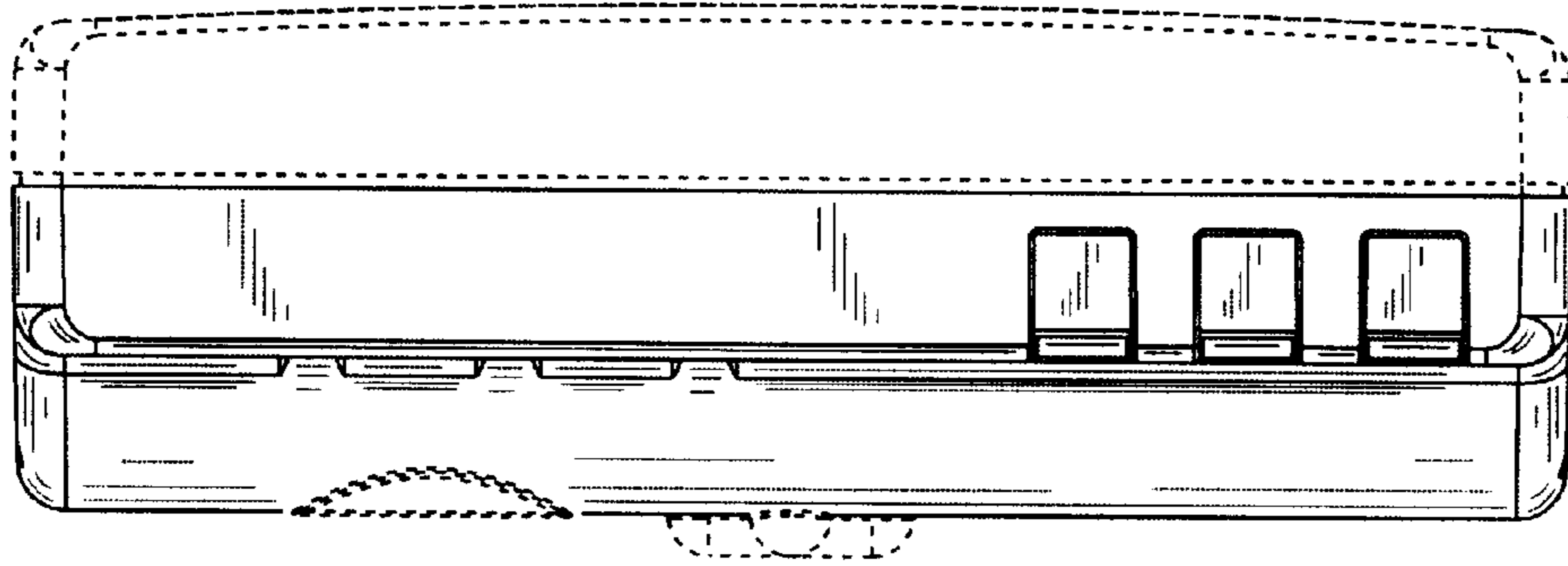
The material shown in dotted lines is for illustrative purposes only and forms no part of the claimed design.

**1 Claim, 4 Drawing Sheets**

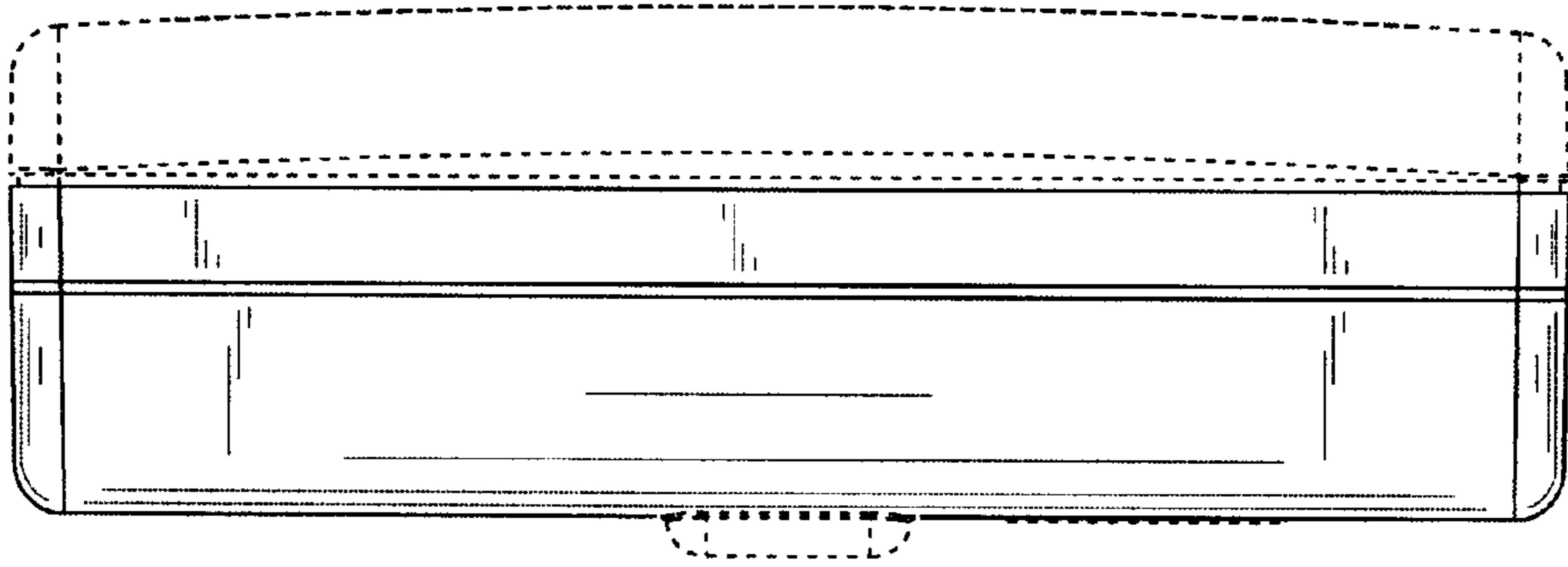




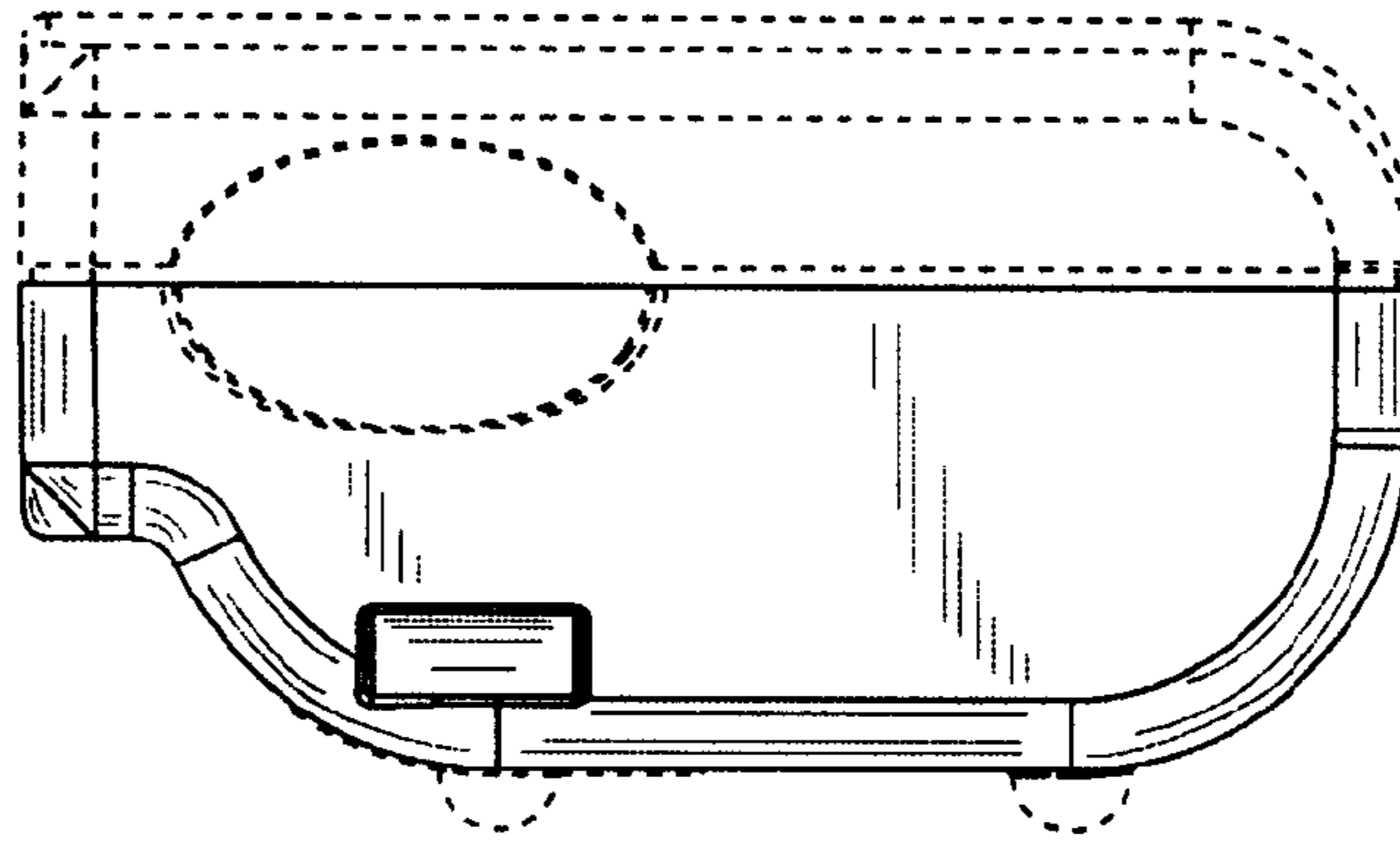
**Fig. 1**



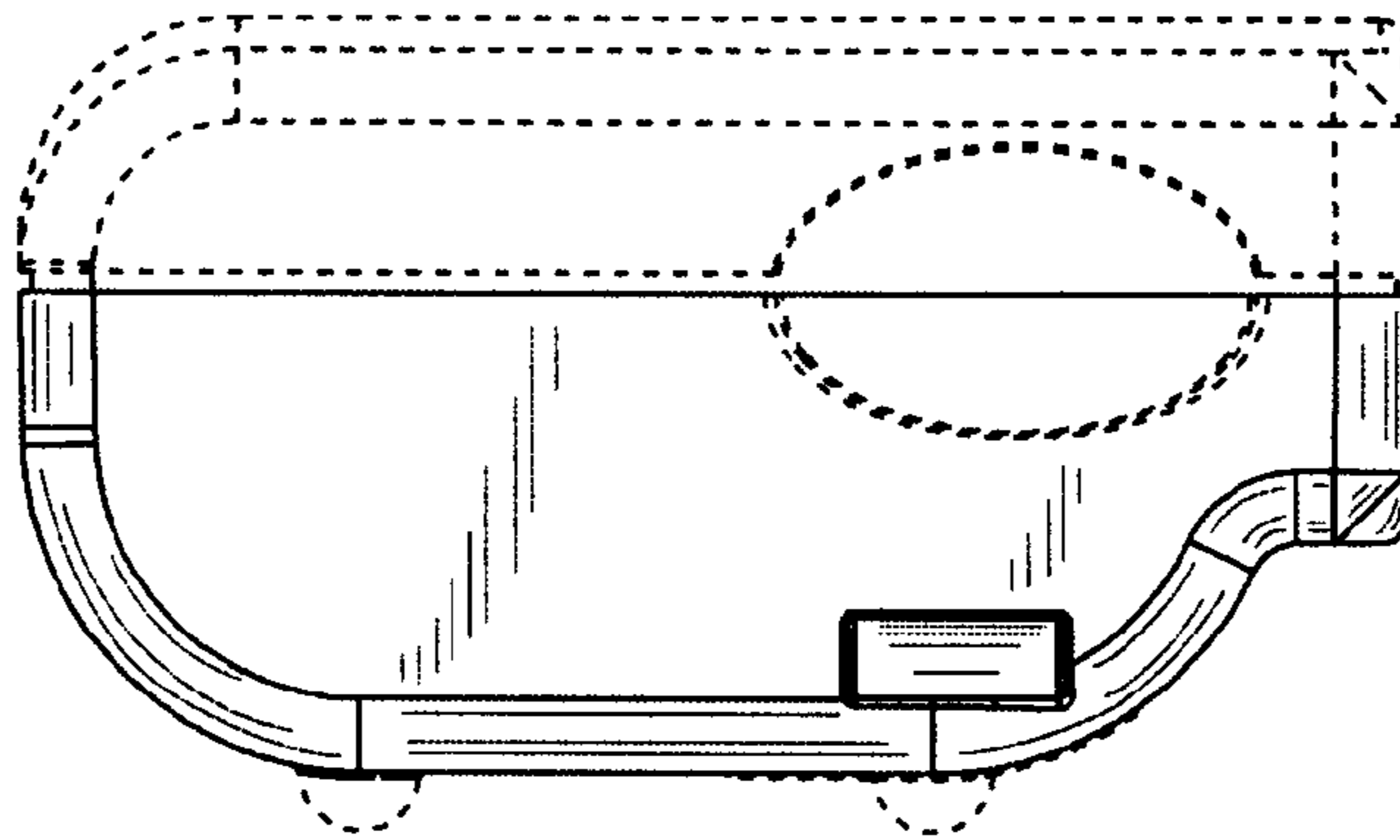
**Fig. 2**



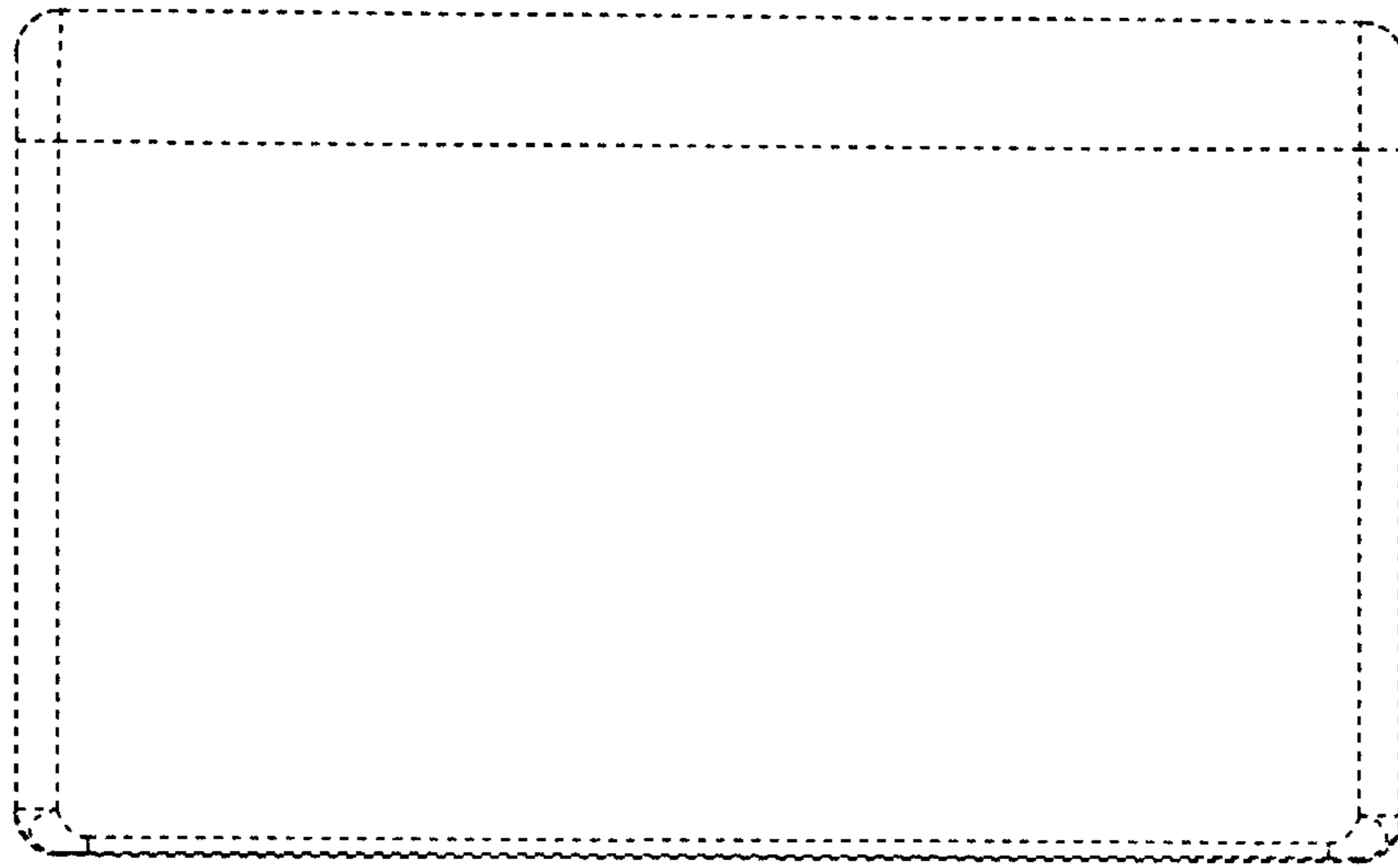
**Fig. 3**



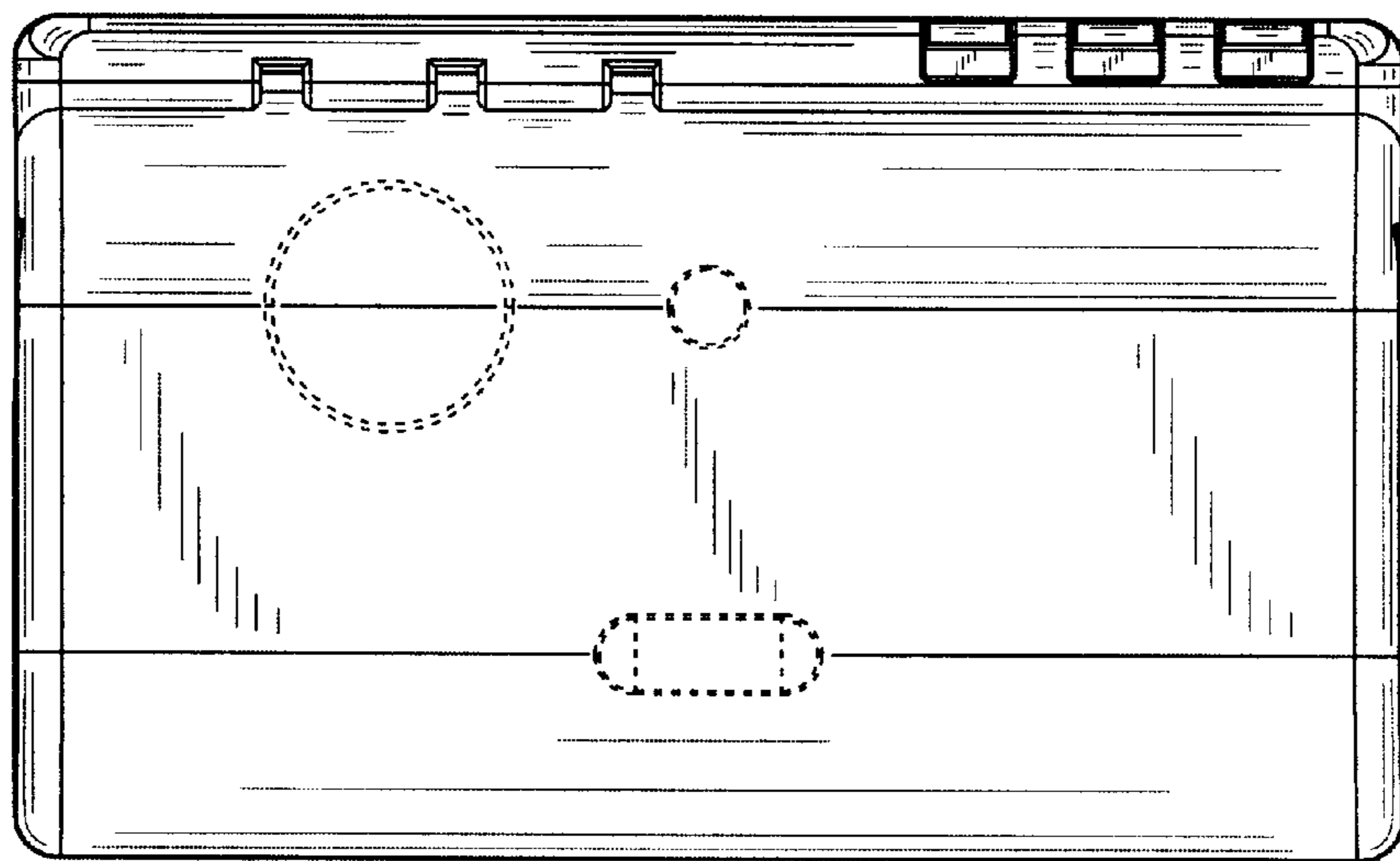
**Fig. 4**



**Fig. 5**



**Fig. 6**



**Fig. 7**