



US00D486788S

(12) **United States Design Patent**
Riede

(10) **Patent No.:** **US D486,788 S**

(45) **Date of Patent:** **** Feb. 17, 2004**

(54) **CONVERTIBLE TELEPHONE CHARGER**

(75) Inventor: **Steven J. Riede**, Long Beach, CA (US)

(73) Assignee: **Magnadyne Corporation**, Compton, CA (US)

(**) Term: **14 Years**

(21) Appl. No.: **29/179,616**

(22) Filed: **Apr. 11, 2003**

(51) **LOC (7) Cl.** **13-02**

(52) **U.S. Cl.** **D13/108**

(58) **Field of Search** D13/107, 108,
D13/110, 118; 439/172, 518, 956, 131;
320/110-115

(56) **References Cited**

U.S. PATENT DOCUMENTS

4,543,624	A	*	9/1985	Rumble	439/956	X
D367,257	S	*	2/1996	Buelow et al.	D13/110	
5,744,934	A	*	4/1998	Wu	320/111	
5,829,993	A	*	11/1998	Wu	439/956	X
5,901,056	A	*	5/1999	Hung	363/142	
5,906,509	A	*	5/1999	Wu	439/518	
5,919,060	A	*	7/1999	Lee	D13/110	X
5,967,807	A	*	10/1999	Wu	439/956	X

* cited by examiner

Primary Examiner—Joel Sincavage

(74) *Attorney, Agent, or Firm*—Brooks Kushman P.C.

(57) **CLAIM**

The ornamental design for a convertible telephone charger, as shown and described.

DESCRIPTION

FIG. 1 is a front perspective view of the convertible telephone charger of the present invention;

FIG. 2 is a rear perspective view thereof;

FIG. 3 is a rear elevation view thereof;

FIG. 4 is a side elevation view thereof;

FIG. 5 is a top plan view thereof;

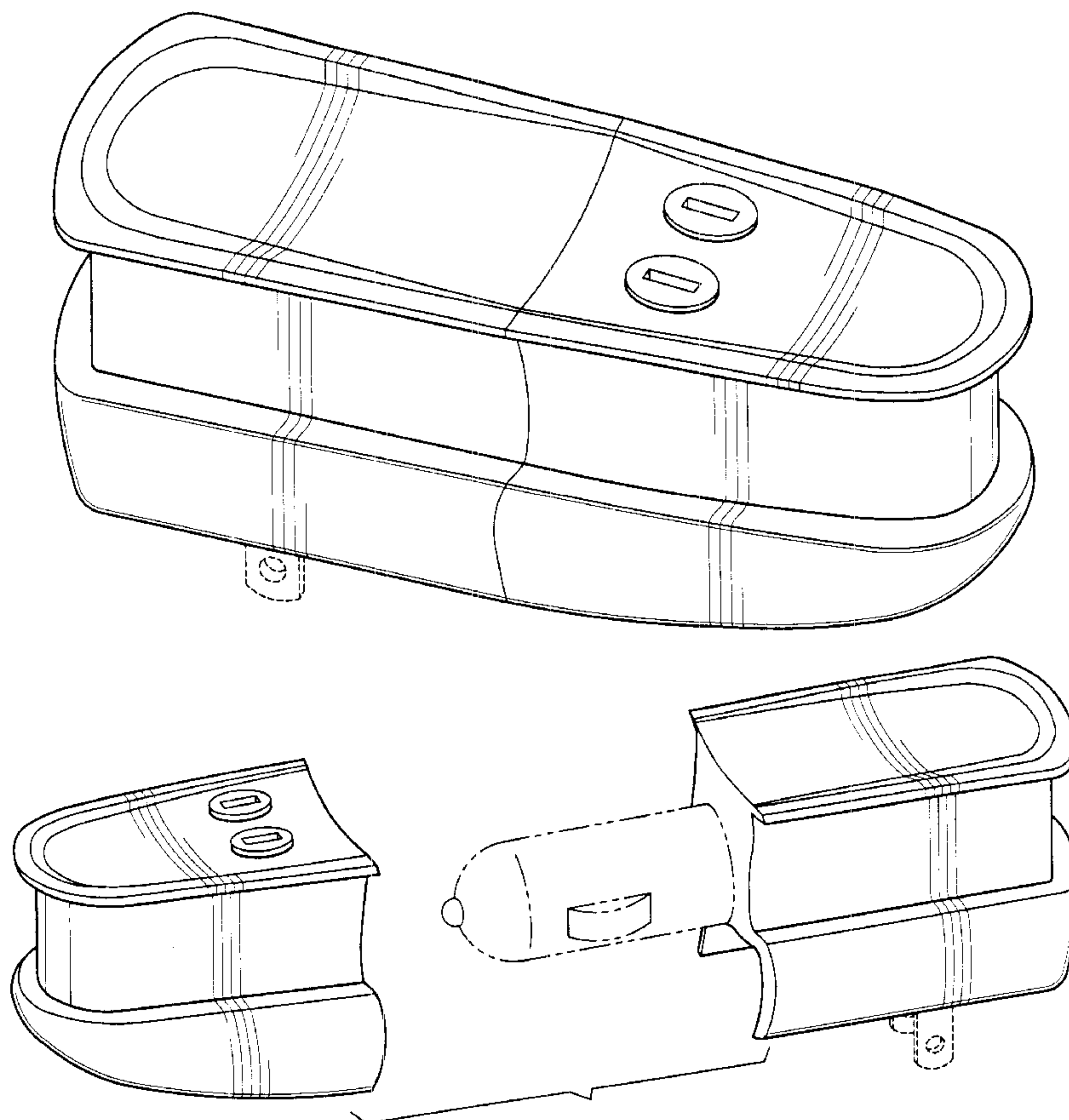
FIG. 6 is a front elevation view thereof;

FIG. 7 is an exploded perspective view thereof showing a lighter adapter cover separated from a charger body portion; and,

FIG. 8 is a perspective view thereof showing the lighter adapter cover secured to a pair of AC current prongs of the charger.

The broken lines are for illustrative purposes only and form no part of the claimed design.

1 Claim, 4 Drawing Sheets



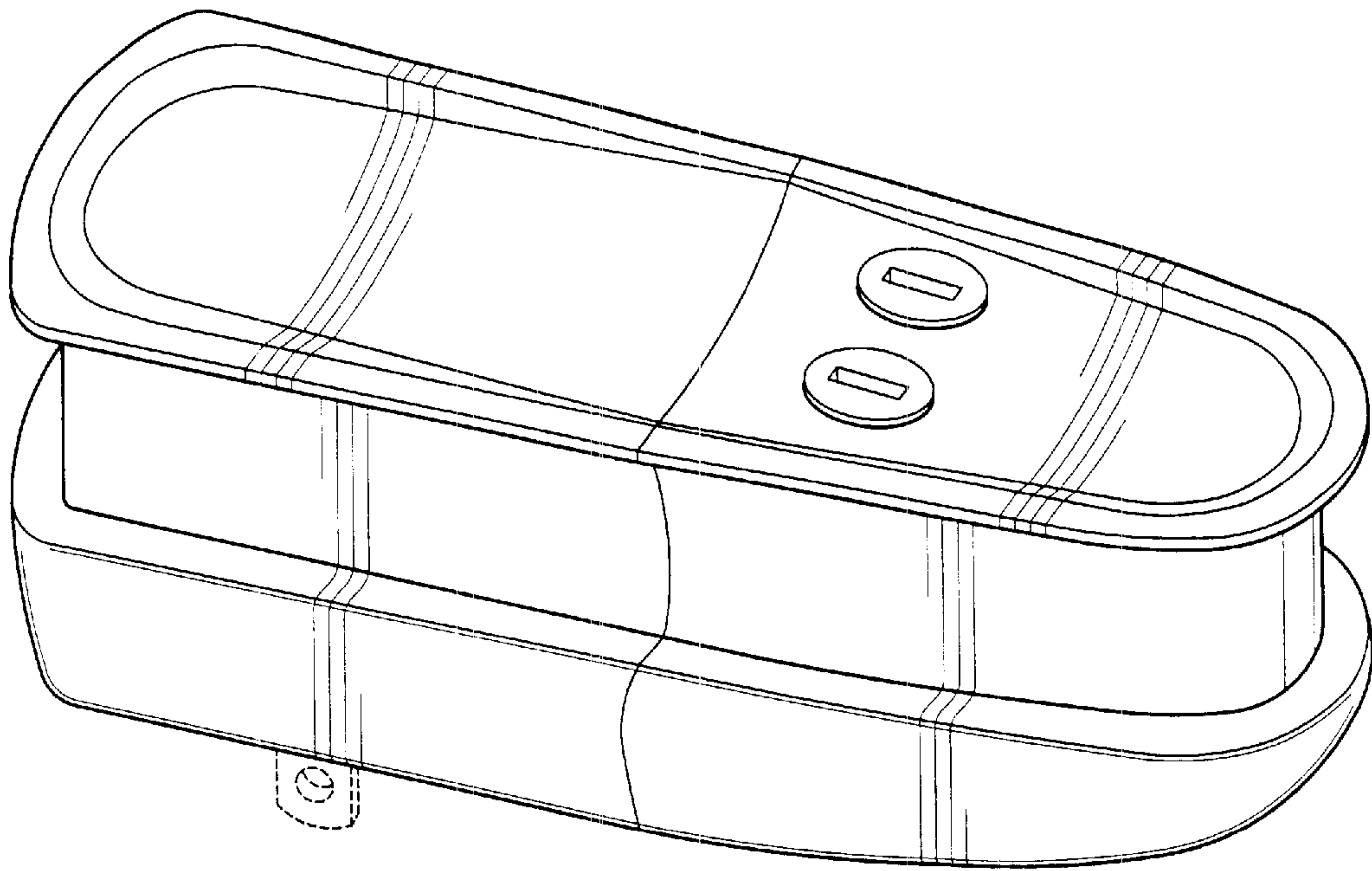


Fig-1

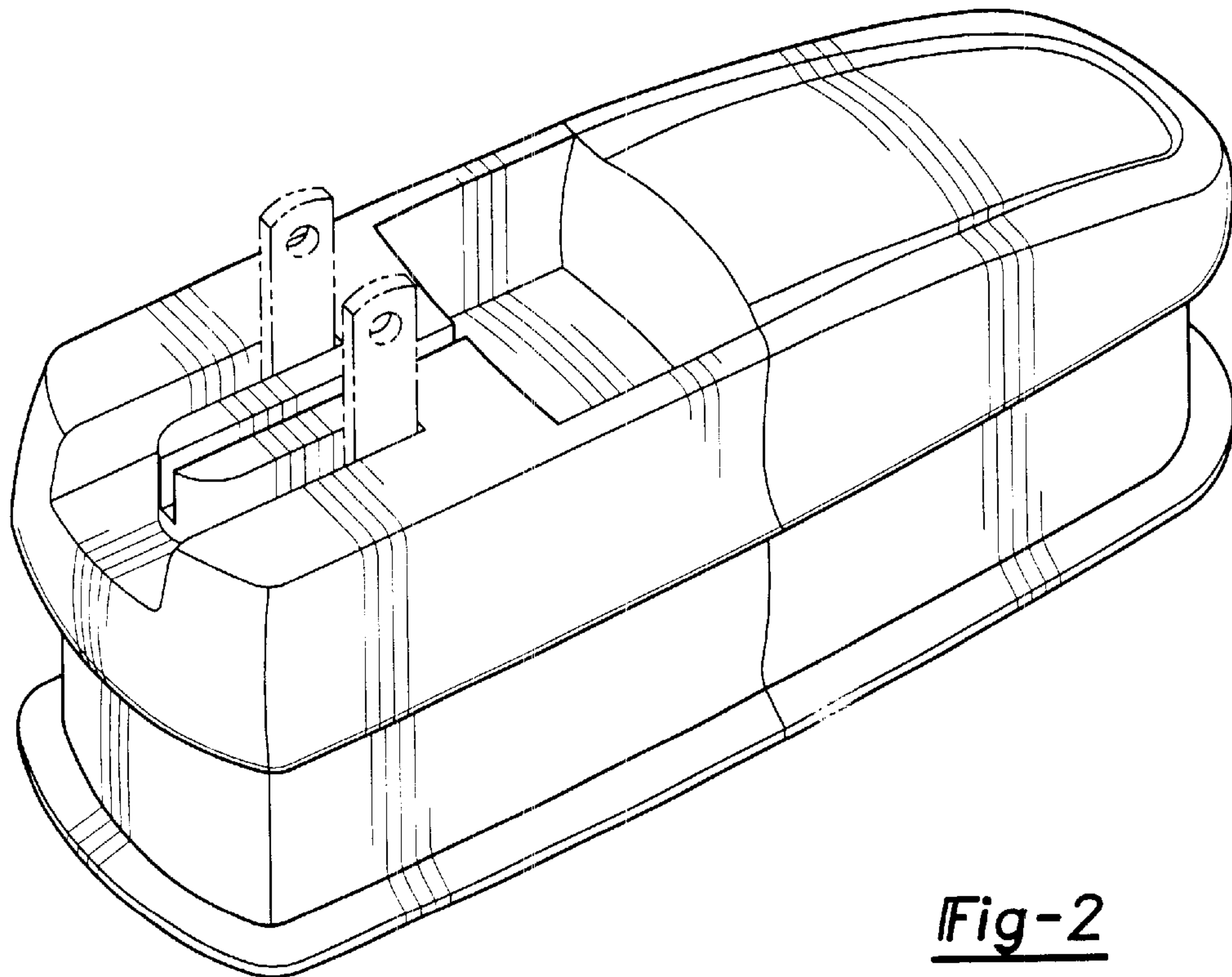


Fig-2

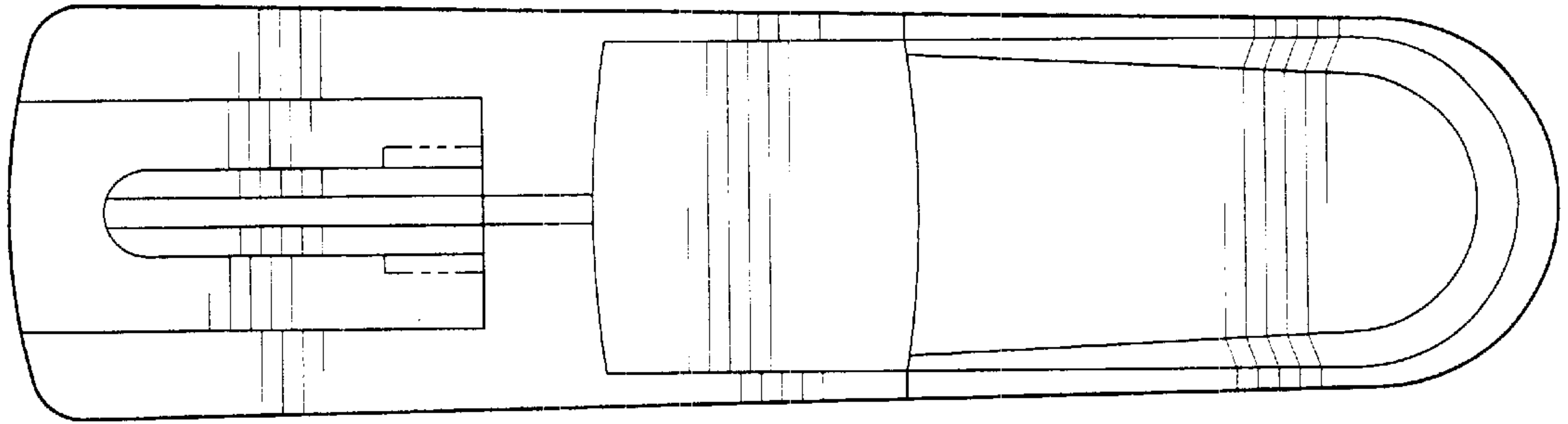


Fig-3

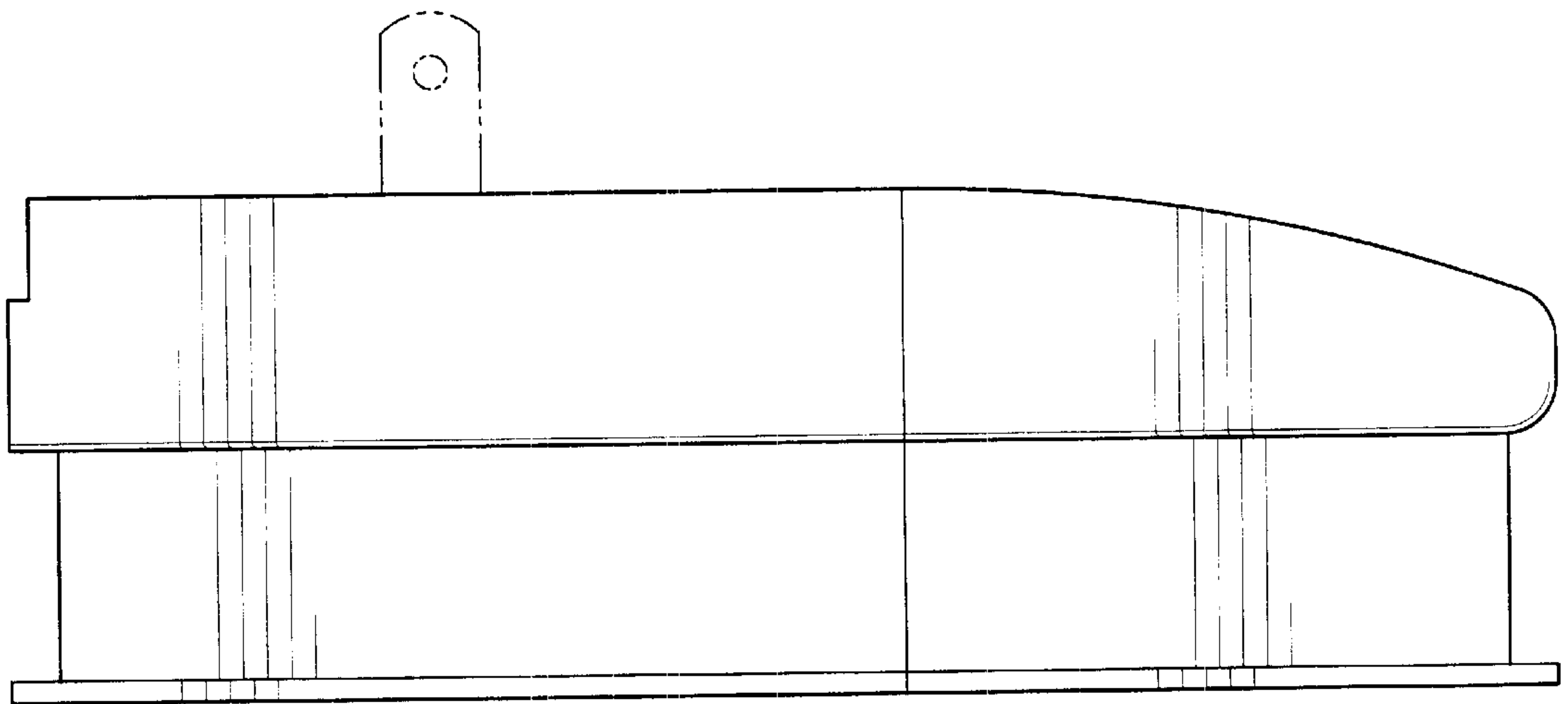


Fig-4

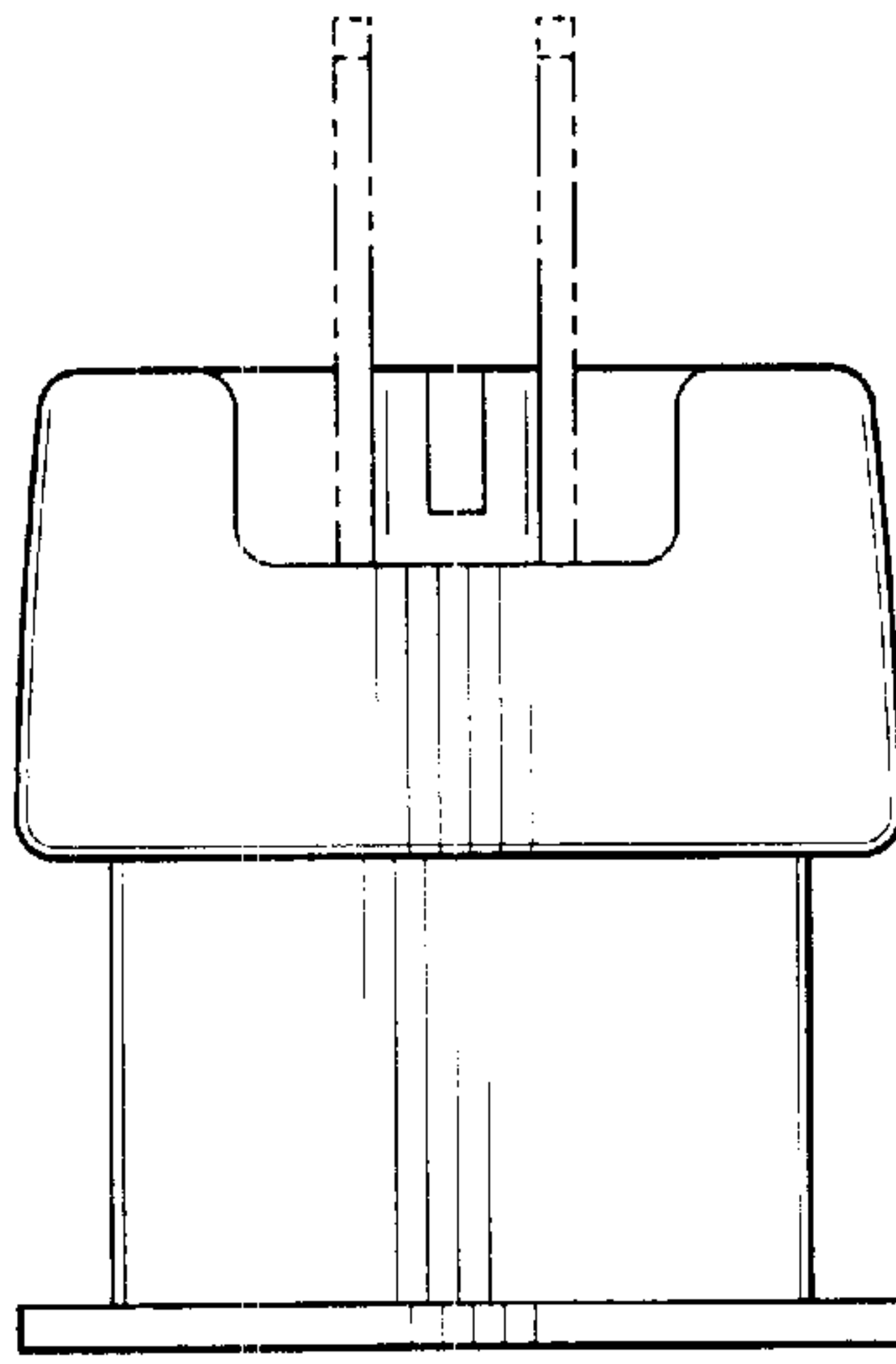


Fig-5

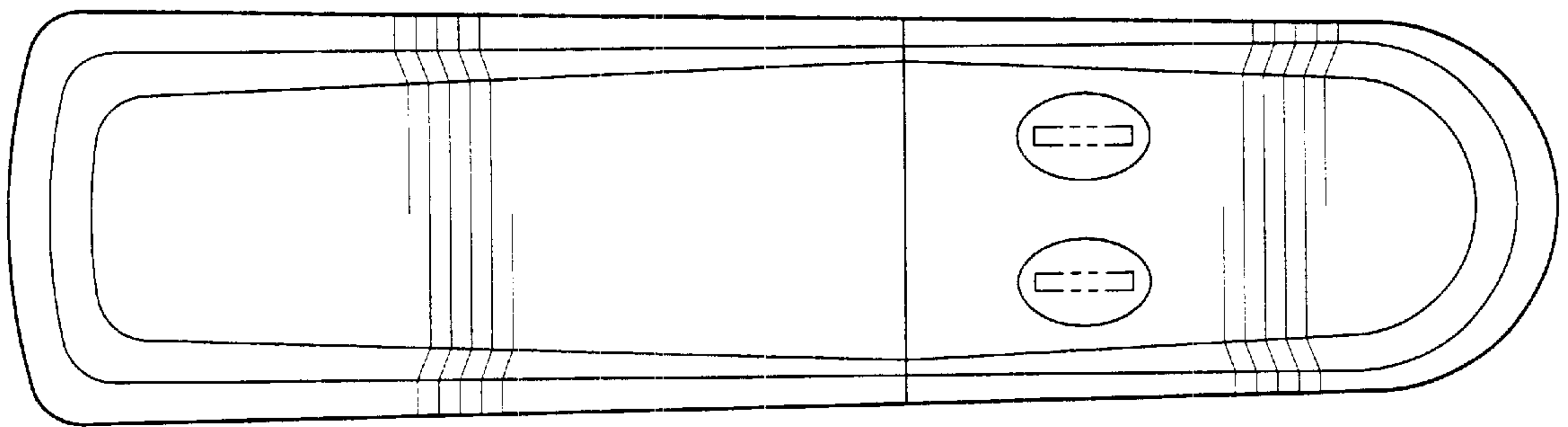


Fig-6

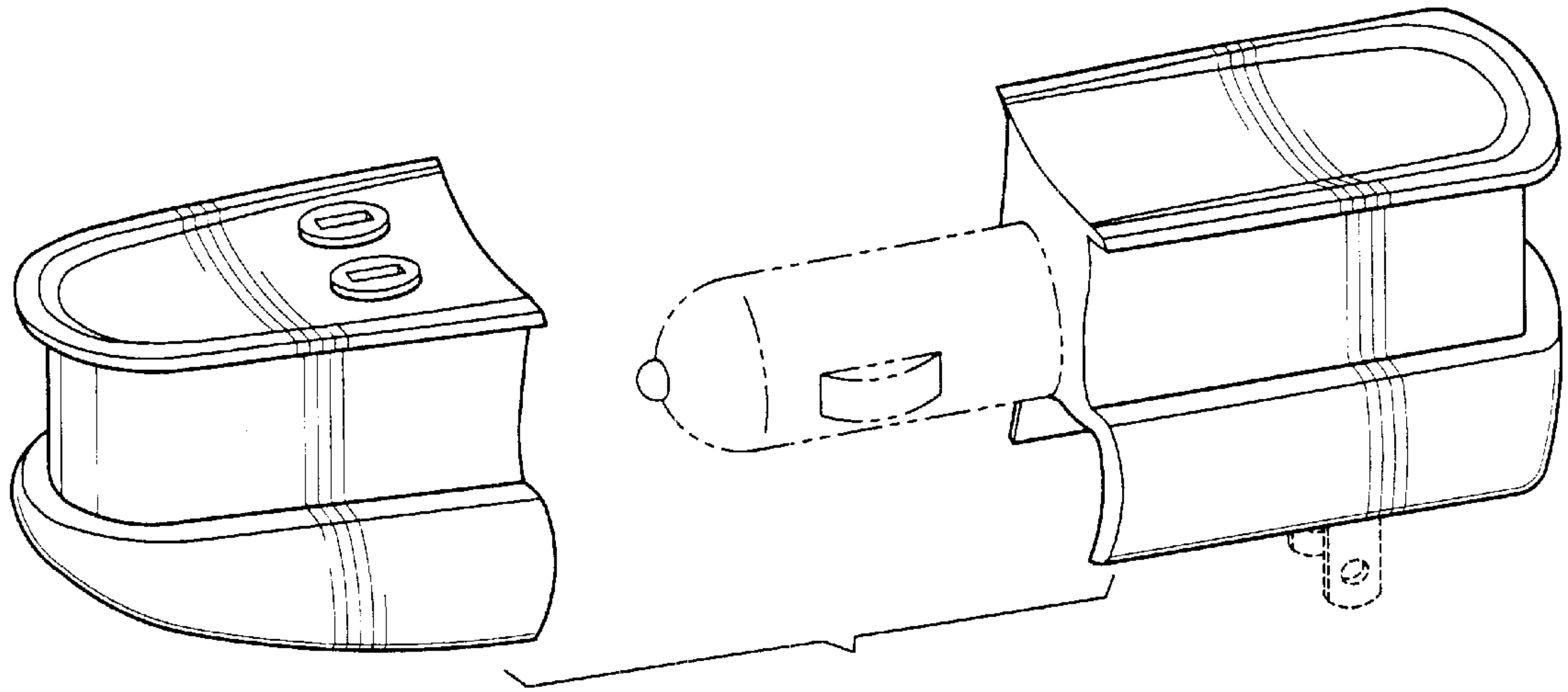


Fig-7

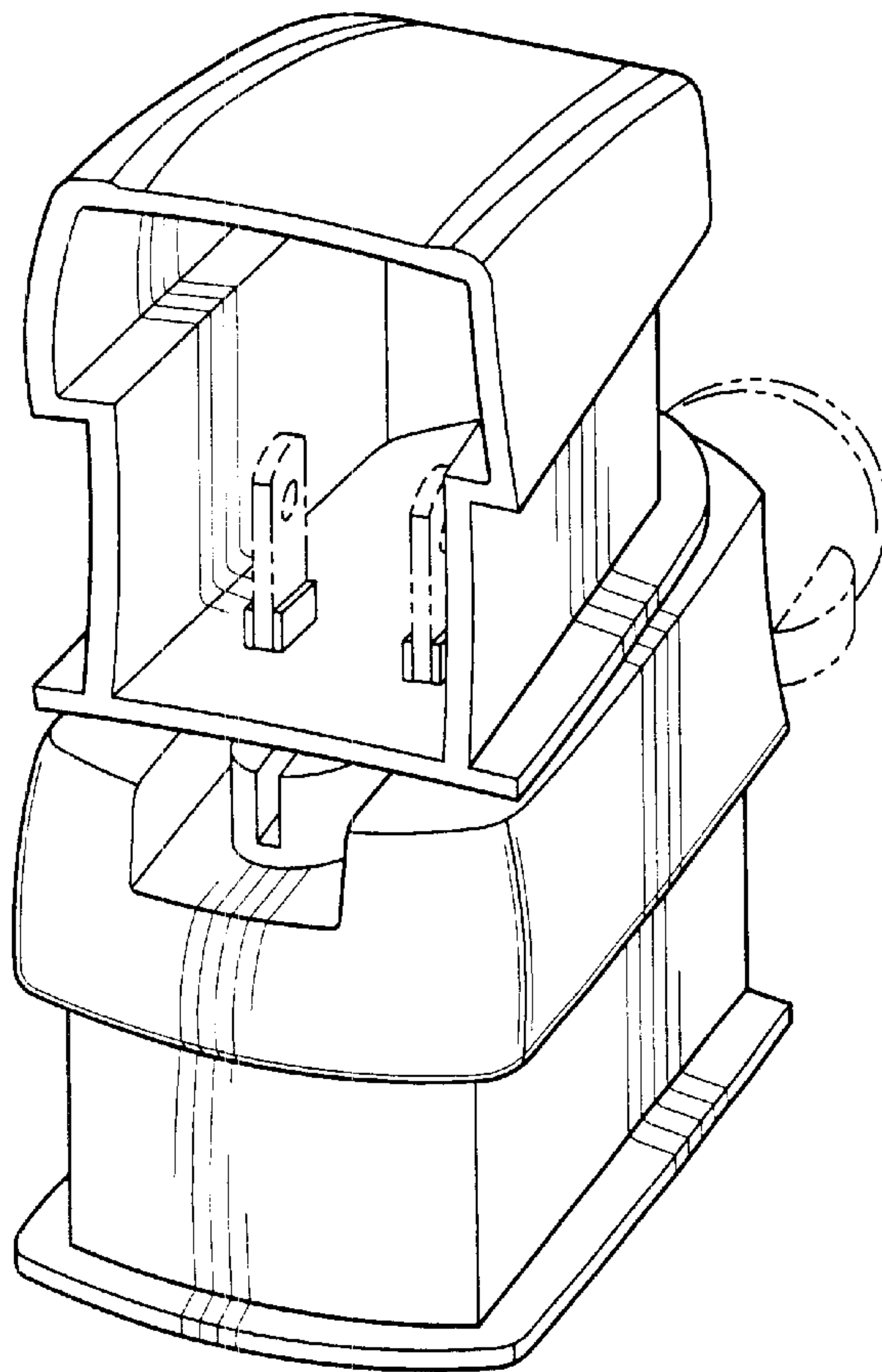


Fig-8