



US00D486787S

(12) **United States Design Patent**  
**Krieger et al.**

(10) **Patent No.:** **US D486,787 S**

(45) **Date of Patent:** **\*\* Feb. 17, 2004**

(54) **CHARGER BASE FOR RECHARGEABLE BATTERY OPERATED DEVICES**

(75) Inventors: **Michael Krieger**, Miami Beach, FL (US); **Kevin Ellsworth**, Hollywood, FL (US)

(73) Assignee: **Vector Products, Inc.**, Ft. Lauderdale, FL (US)

(\*\*) Term: **14 Years**

(21) Appl. No.: **29/178,722**

(22) Filed: **Apr. 1, 2003**

(51) **LOC (7) Cl.** ..... **13-02**

(52) **U.S. Cl.** ..... **D13/108**

(58) **Field of Search** ..... D13/107, 108, D13/110, 118; 362/183, 392, 810; 320/110-115

(56) **References Cited**

**U.S. PATENT DOCUMENTS**

D201,239	S	*	6/1965	Johnson et al.	.....	D13/108
3,373,274	A	*	3/1968	Kott	.....	362/183
4,764,853	A	*	8/1988	Thomas et al.	.....	362/183
D297,828	S	*	9/1988	Bromley et al.	.....	D13/108
D407,064	S	*	3/1999	Lebherz	.....	D13/108
5,966,821	A	*	10/1999	Armbruster et al.	.....	320/115
D433,992	S	*	11/2000	Luecke	.....	D13/108

\* cited by examiner

*Primary Examiner*—Joel Sincavage  
(74) *Attorney, Agent, or Firm*—Venable LLP; Robert Kinberg

(57) **CLAIM**

The ornamental design for a charger base for rechargeable battery operated devices, as shown and described.

**DESCRIPTION**

FIG. 1 is a perspective view from the front-top side of the charger base for rechargeable battery operated devices showing our new design;

FIG. 2 is a front view of the design shown in FIG. 1;

FIG. 3 is a rear view of the design shown in FIG. 1;

FIG. 4 is a left side view of the design shown in FIG. 1;

FIG. 5 is a right side view of the design shown in FIG. 1;

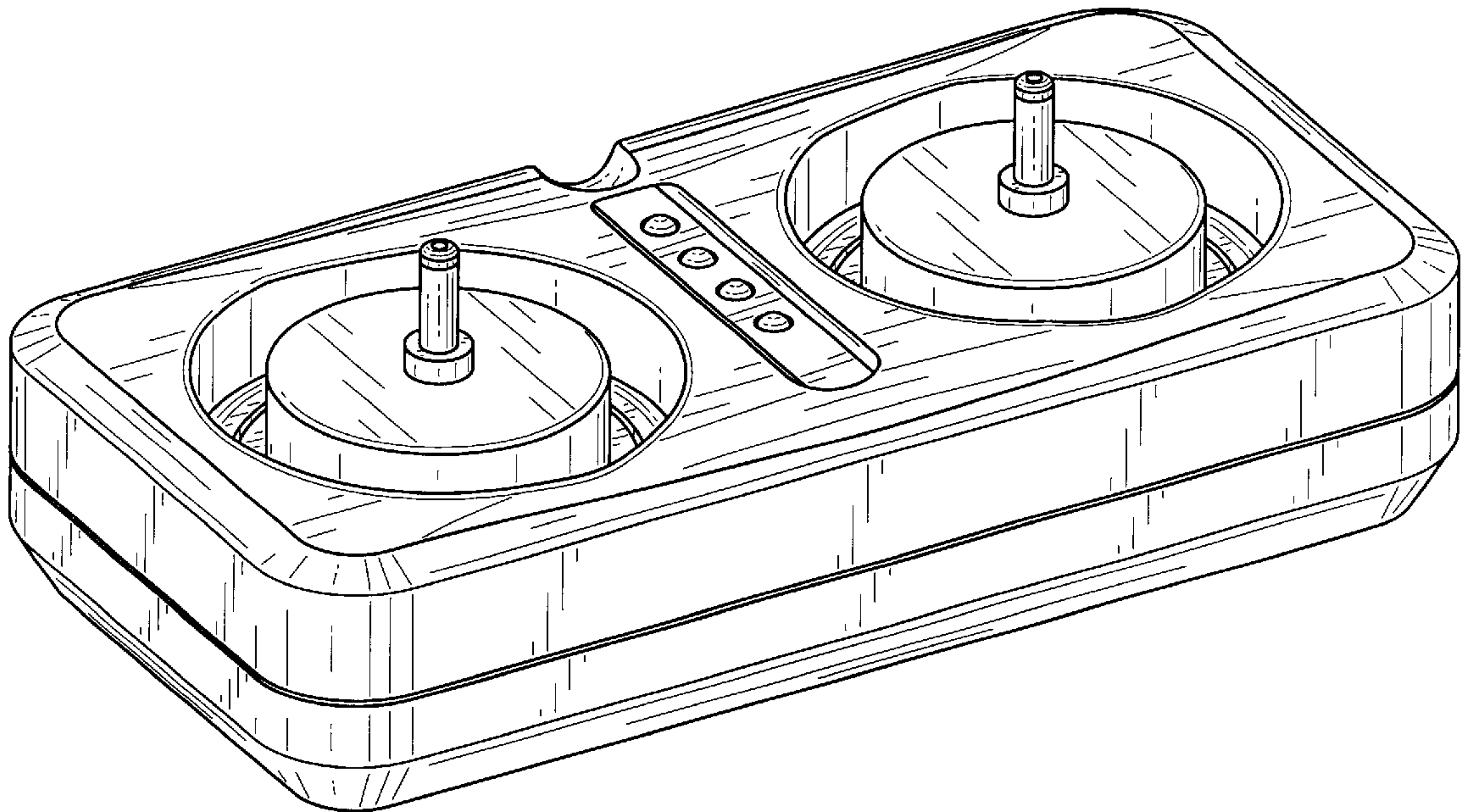
FIG. 6 is a top view of the design shown in FIG. 1;

FIG. 7 is a bottom view of the design shown in FIG. 1; and,

FIG. 8 shows the perspective view of FIG. 1 with a rechargeable battery operated candle light illustrated in dashed outline inserted in one of the charging positions of the charger.

The candle light shown in dashed outline in FIG. 8 forms no part of the presently claimed design.

**1 Claim, 8 Drawing Sheets**



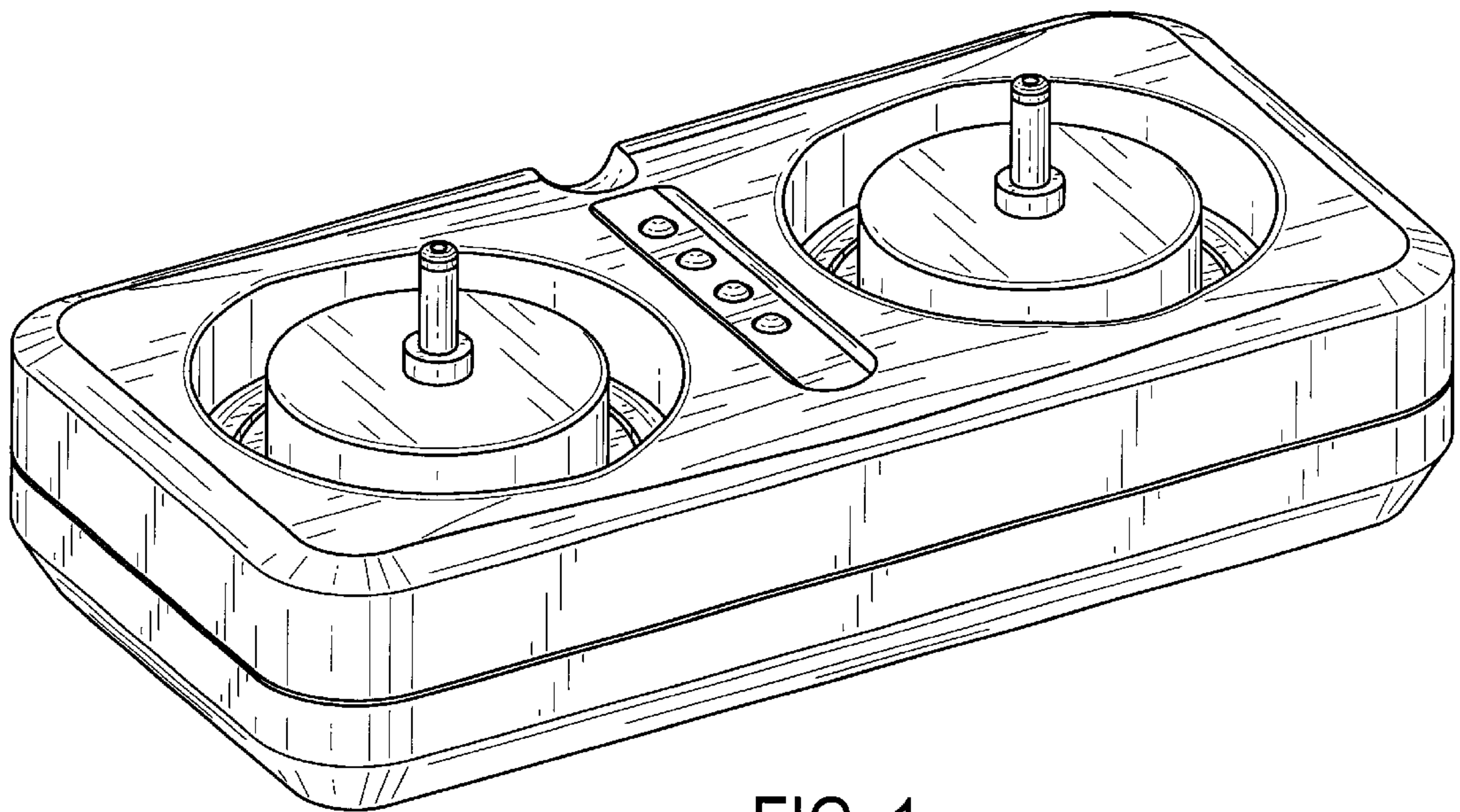


FIG. 1

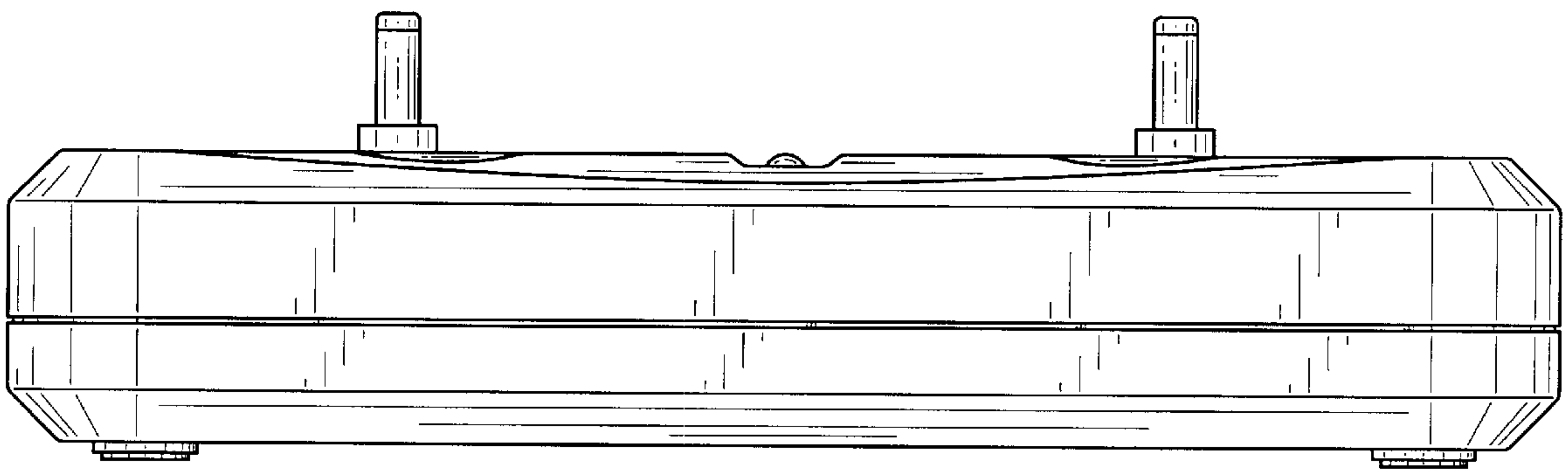


FIG. 2

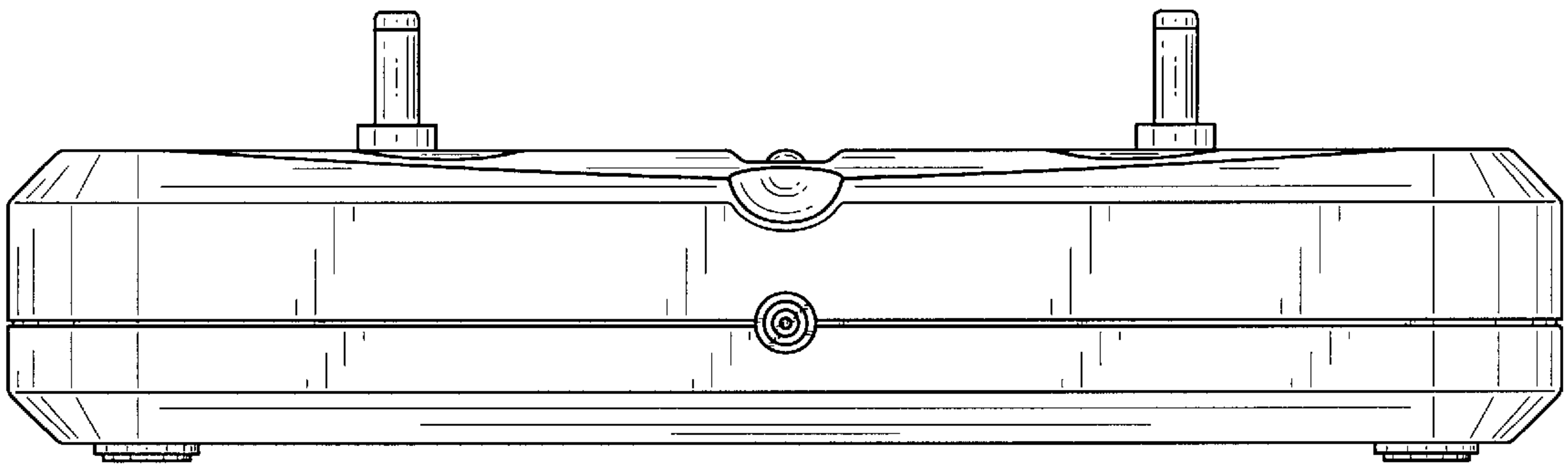


FIG. 3

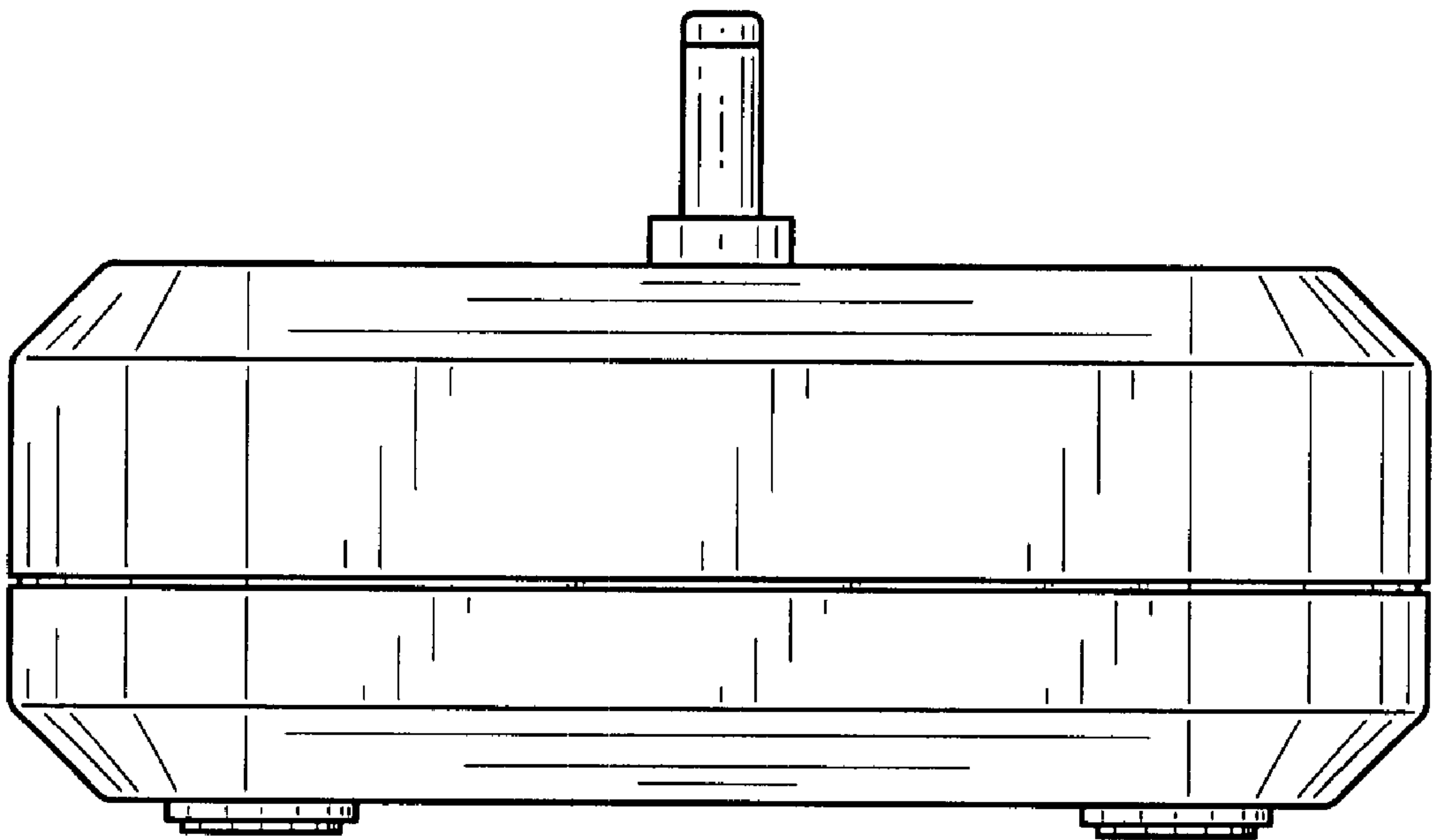


FIG. 4

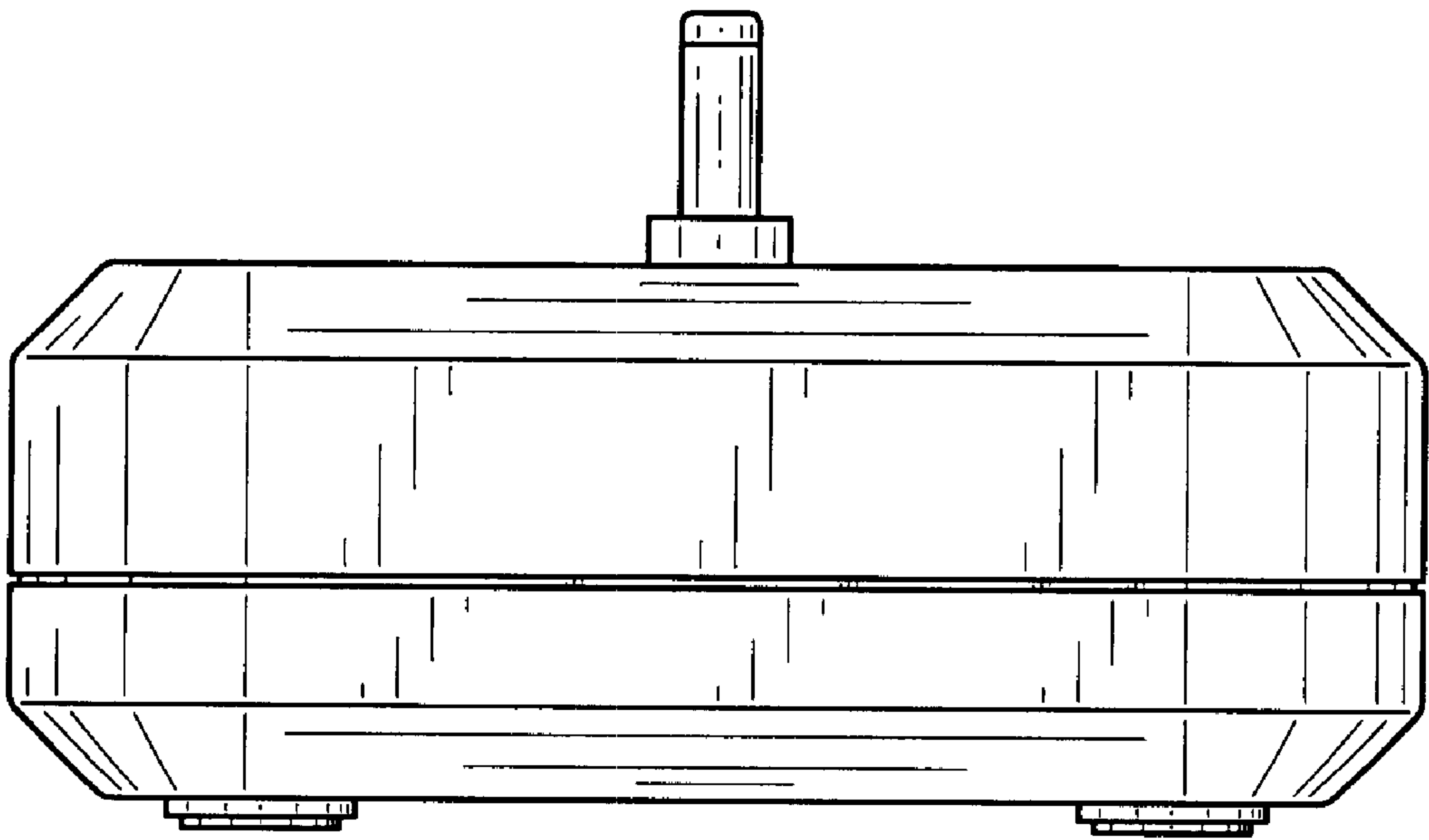


FIG. 5



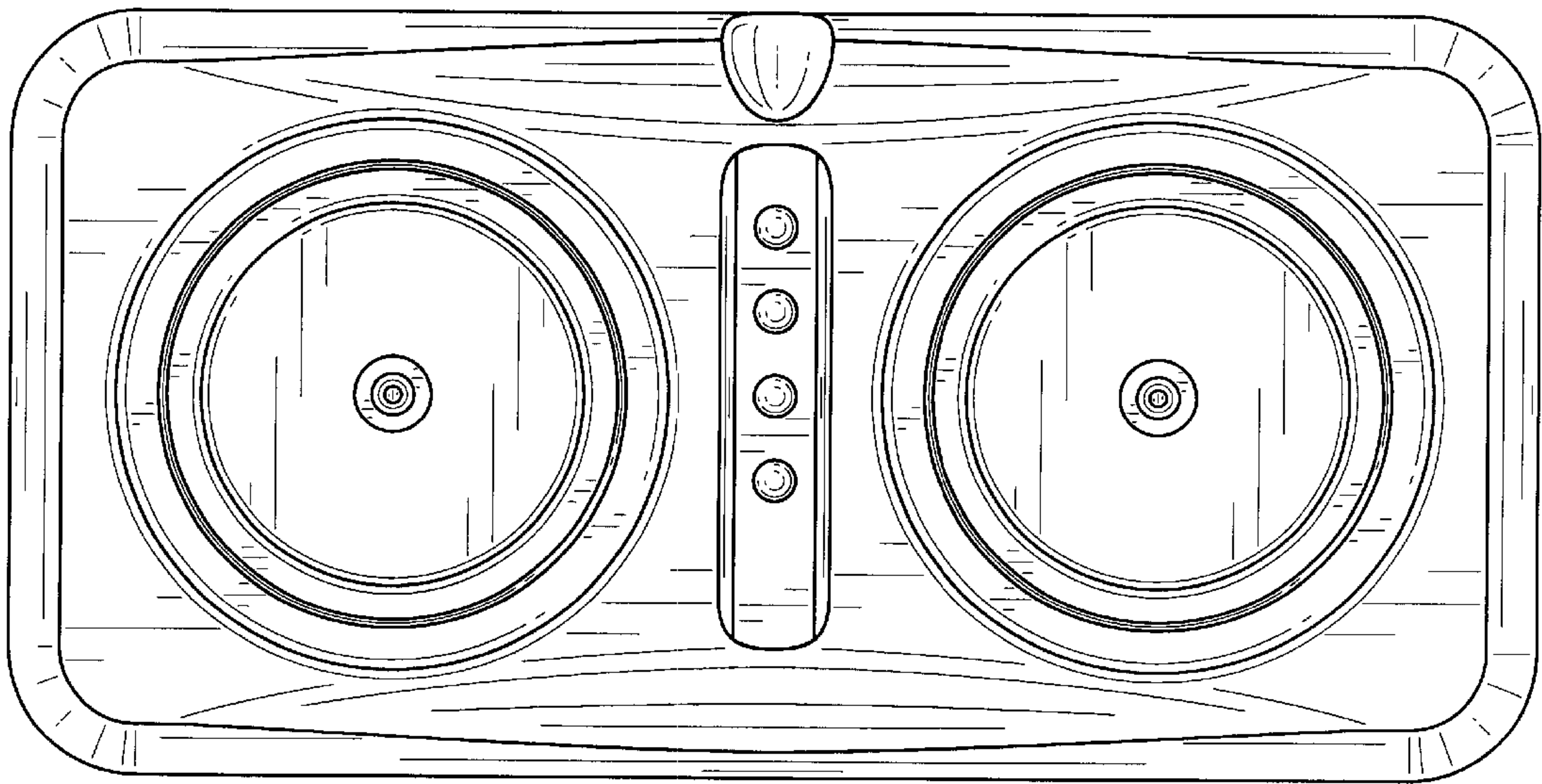


FIG. 6

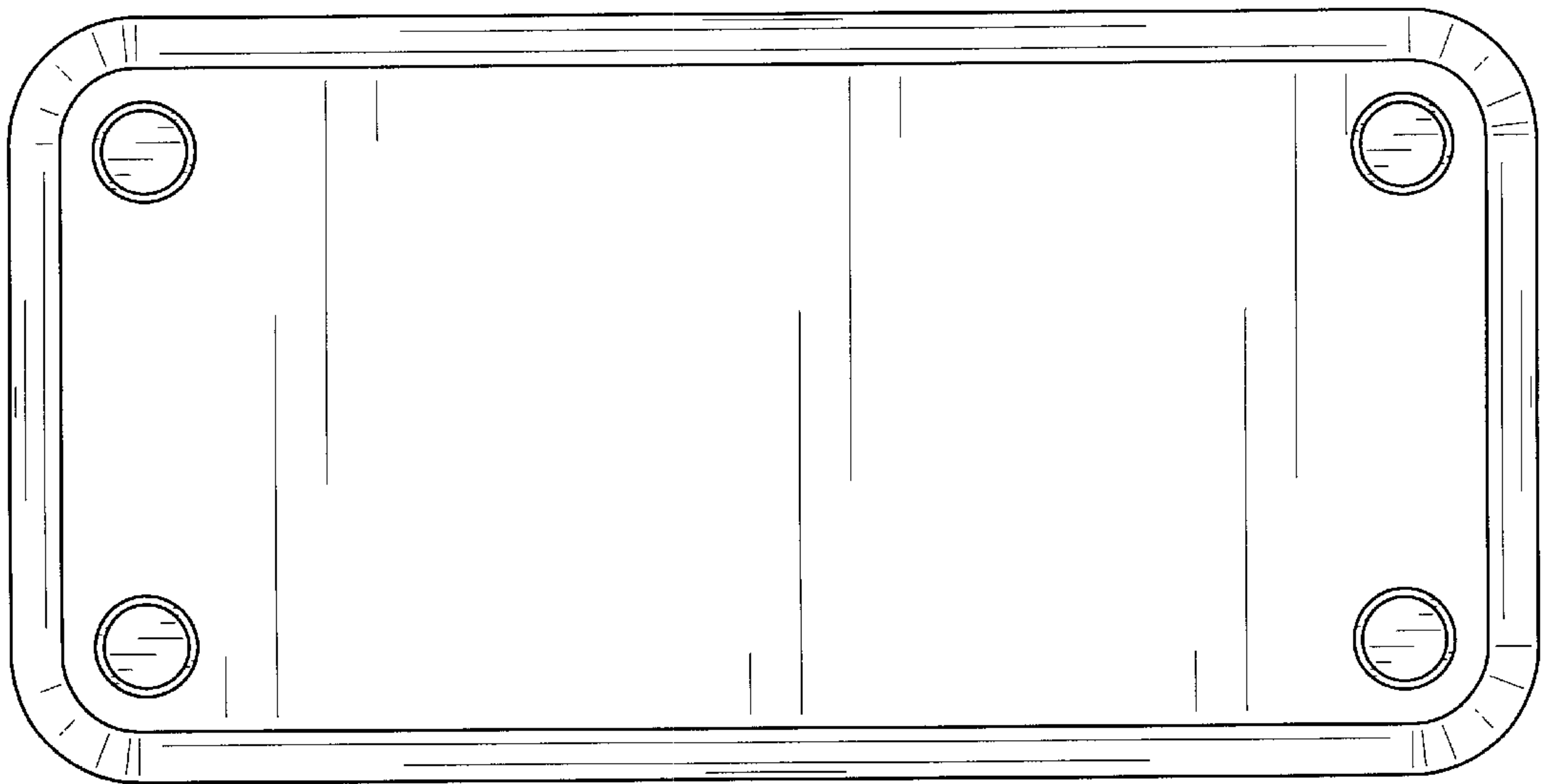


FIG. 7



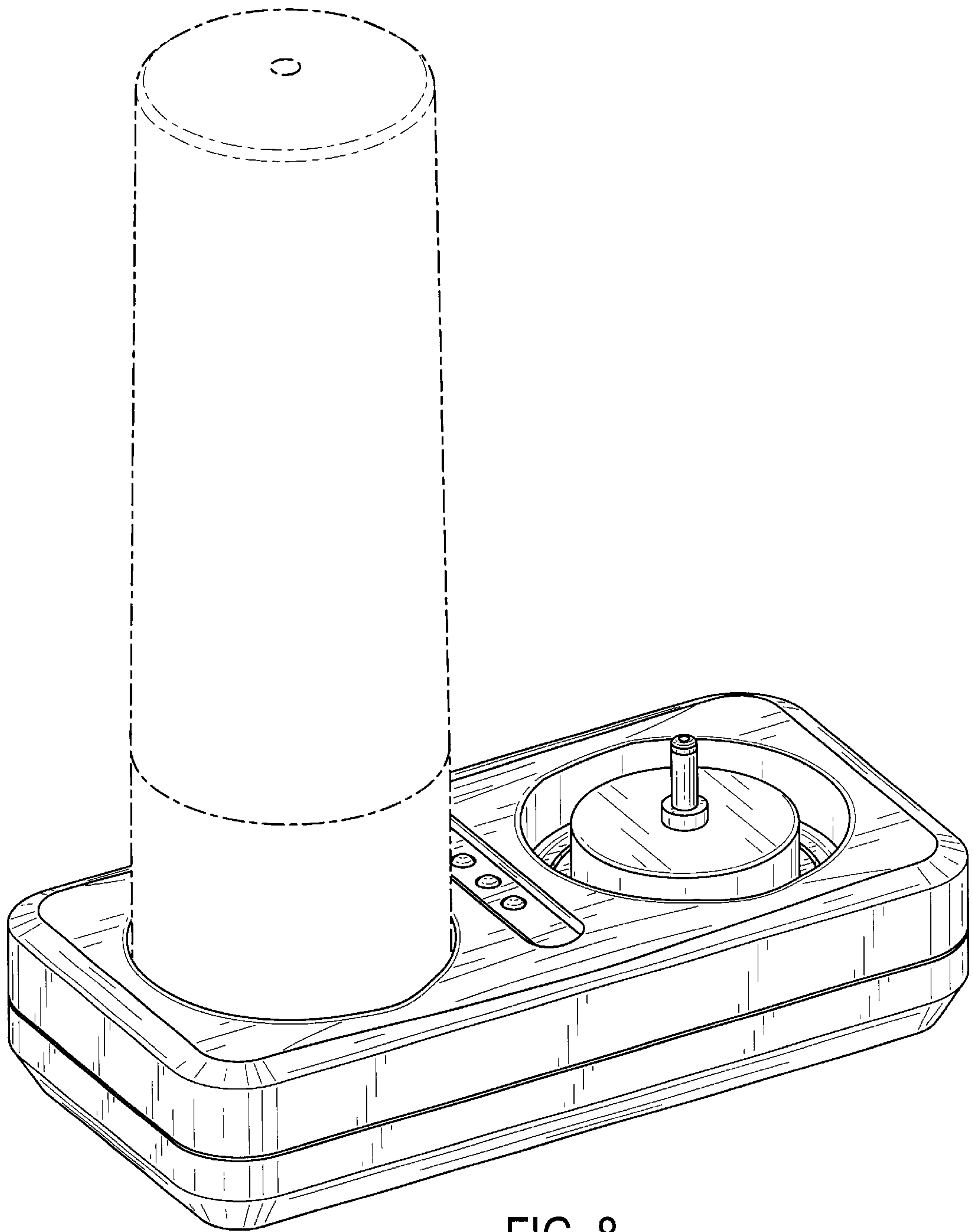


FIG. 8