



US00D486779S

(12) **United States Design Patent**
Alberti

(10) **Patent No.:** **US D486,779 S**

(45) **Date of Patent:** **** Feb. 17, 2004**

(54) **FISHING ROD HOLDER**

(75) Inventor: **Michael A. Alberti**, Endicott, NY (US)

(73) Assignee: **Impact Sports Equipment, Inc.**,
Cortland, NY (US)

(**) Term: **14 Years**

(21) Appl. No.: **29/183,346**

(22) Filed: **Jun. 11, 2003**

(51) **LOC (7) Cl.** **12-16**

(52) **U.S. Cl.** **D12/406; D12/418**

(58) **Field of Search** **D12/406, 412-414.1,**
D12/418, 400, 162; D22/147; 211/70.8,
64, 68-69, 94; 248/316.7; 224/319, 324,
922; 43/21.2

(56) **References Cited**

U.S. PATENT DOCUMENTS

D167,967 S	*	10/1952	Burnett et al.	D12/406
3,731,817 A		5/1973	Fowlkes et al.	211/60 R
4,003,612 A		1/1977	Munsell	312/245
4,014,466 A		3/1977	Wess et al.	224/45 R
D272,787 S		2/1984	Rumbaugh	D6/125
4,696,122 A		9/1987	Van Der Zyl	43/21.2
4,779,914 A		10/1988	Friedline	294/143
D303,192 S		9/1989	Bogar, III	D6/552
4,881,674 A	*	11/1989	Medianik	211/70.8 X
D307,087 S		4/1990	Gibson et al.	D6/552
4,961,505 A		10/1990	Moeller	211/70.8
D337,980 S	*	8/1993	Ng	D12/406
D340,020 S	*	10/1993	Yamamoto	D12/406
D356,541 S	*	3/1995	Morford	D12/406
D371,107 S	*	6/1996	Summers	D12/406
D411,163 S	*	6/1999	Bunter	D12/414

5,979,102 A	*	11/1999	Sagryn	43/21.2
6,003,748 A	*	12/1999	Rivenbark	224/319
6,267,425 B1	*	7/2001	Dorsey	211/70.8 X
D446,280 S		8/2001	Marriott	D22/147
D458,878 S	*	6/2002	Greco	D12/162
D460,039 S	*	7/2002	Smith	D12/414
D461,762 S	*	8/2002	Scott	D12/418

* cited by examiner

Primary Examiner—Stacia Cadmus

(74) *Attorney, Agent, or Firm*—Taylor & Aust, P.C.

(57) **CLAIM**

The ornamental design for a fishing rod holder, as shown and described.

DESCRIPTION

FIG. 1 is a perspective view of a fishing rod holder showing my new design, including two holders carried by support rods (shown in phantom and forming no part of the claimed invention), which in turn are suspended from a support structure (such as the inside cabin of a vehicle);

FIG. 2 is an enlarged perspective view of one of the fishing rod holders, it being understood that the other fishing rod holder is identical;

FIG. 3 is a front view of FIG. 2, it being understood that the rear view is a mirror image thereof;

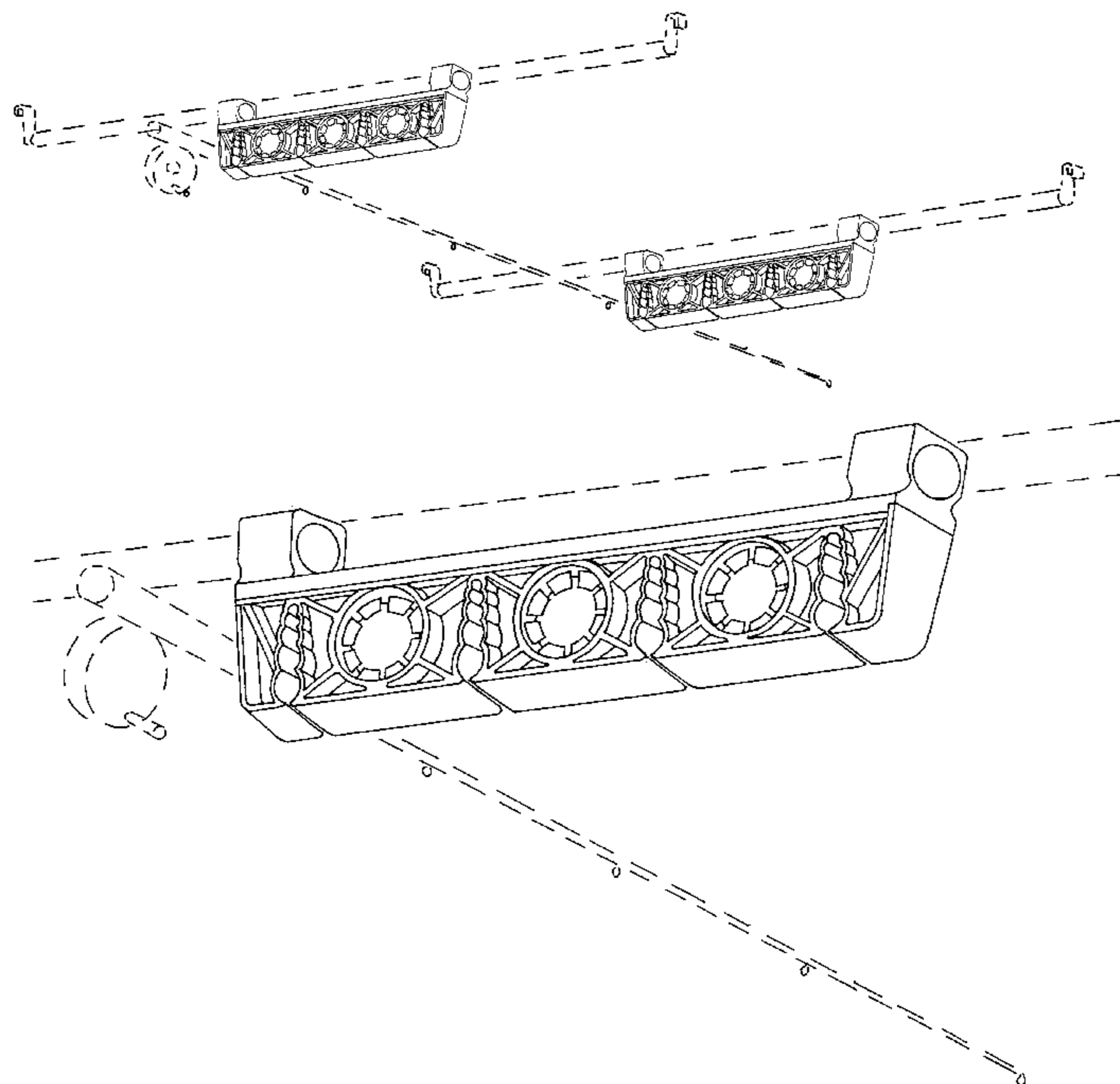
FIG. 4 is an end view of FIG. 2, it being understood that the opposite end is a mirror image thereof;

FIG. 5 is a top view of FIG. 2; and,

FIG. 6 is a bottom view of FIG. 2.

The broken line showing of environment in FIGS. 2-6 is for illustrative purposes only and forms no part of the claimed design.

1 Claim, 4 Drawing Sheets



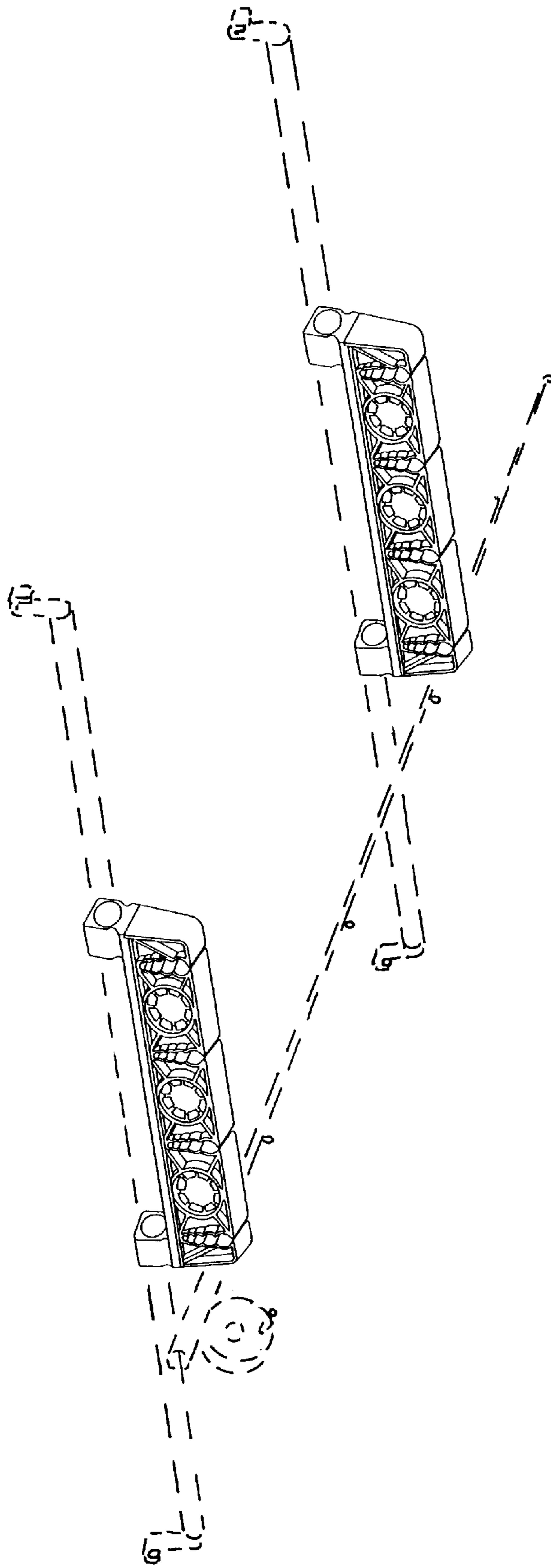


FIG. 1

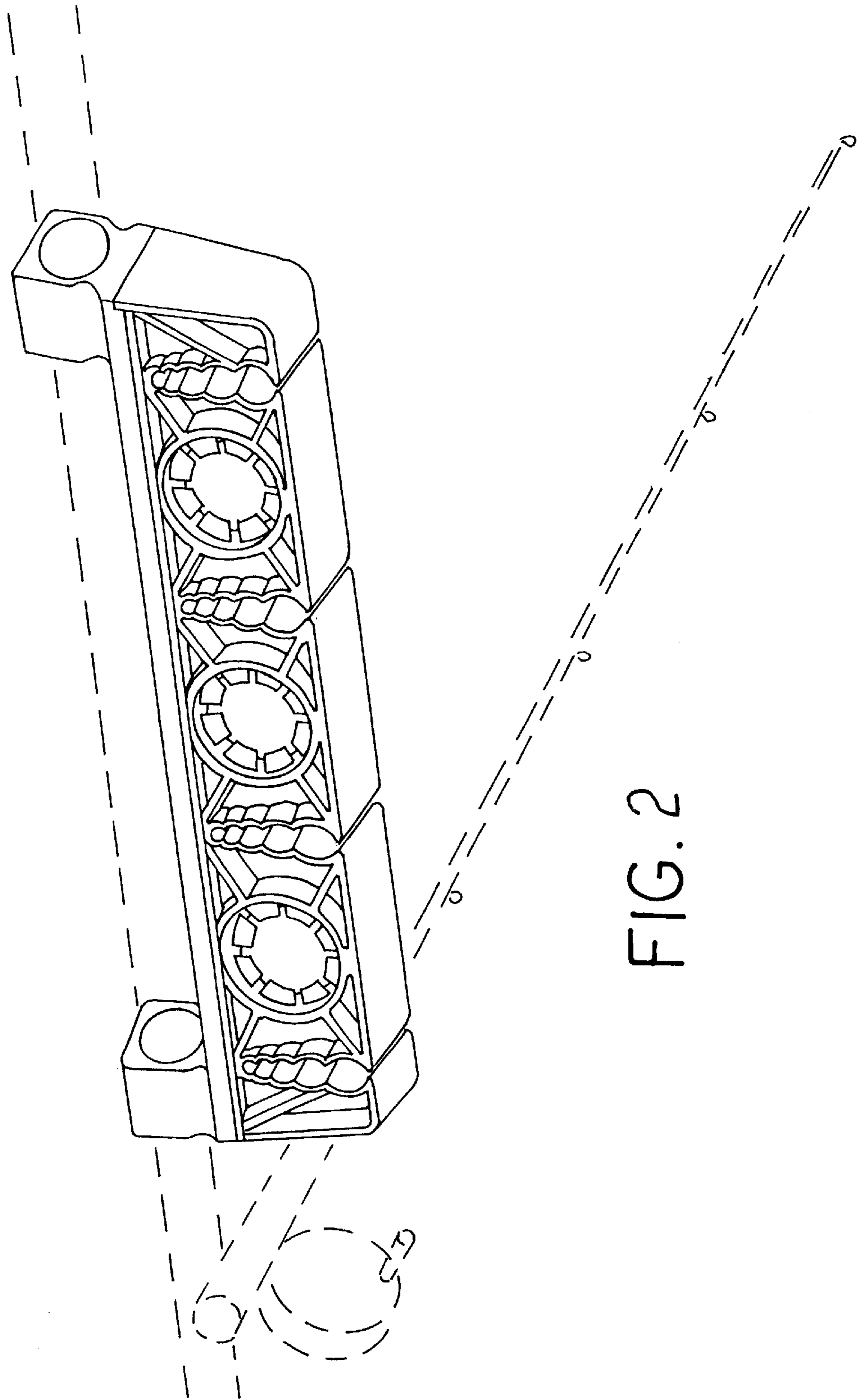


FIG. 2

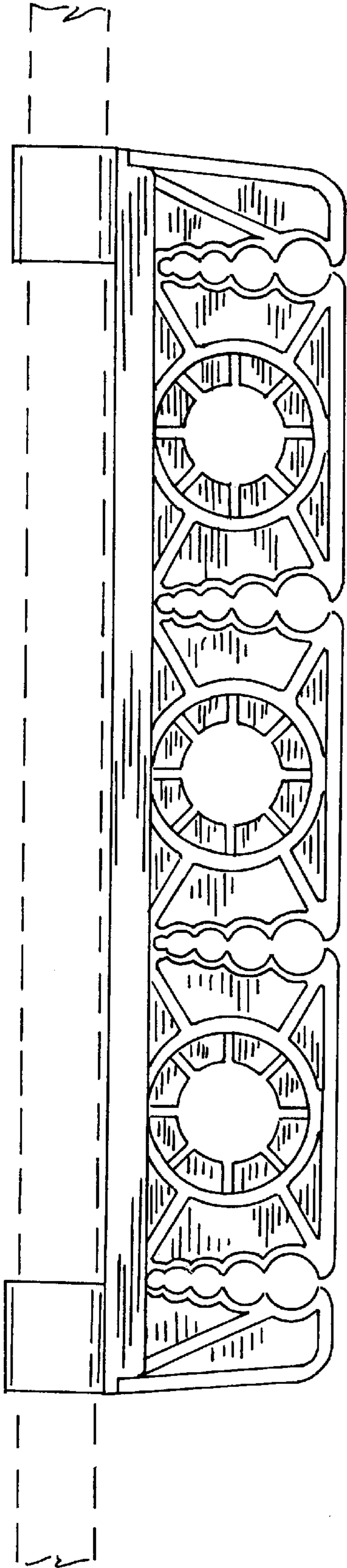


FIG. 3

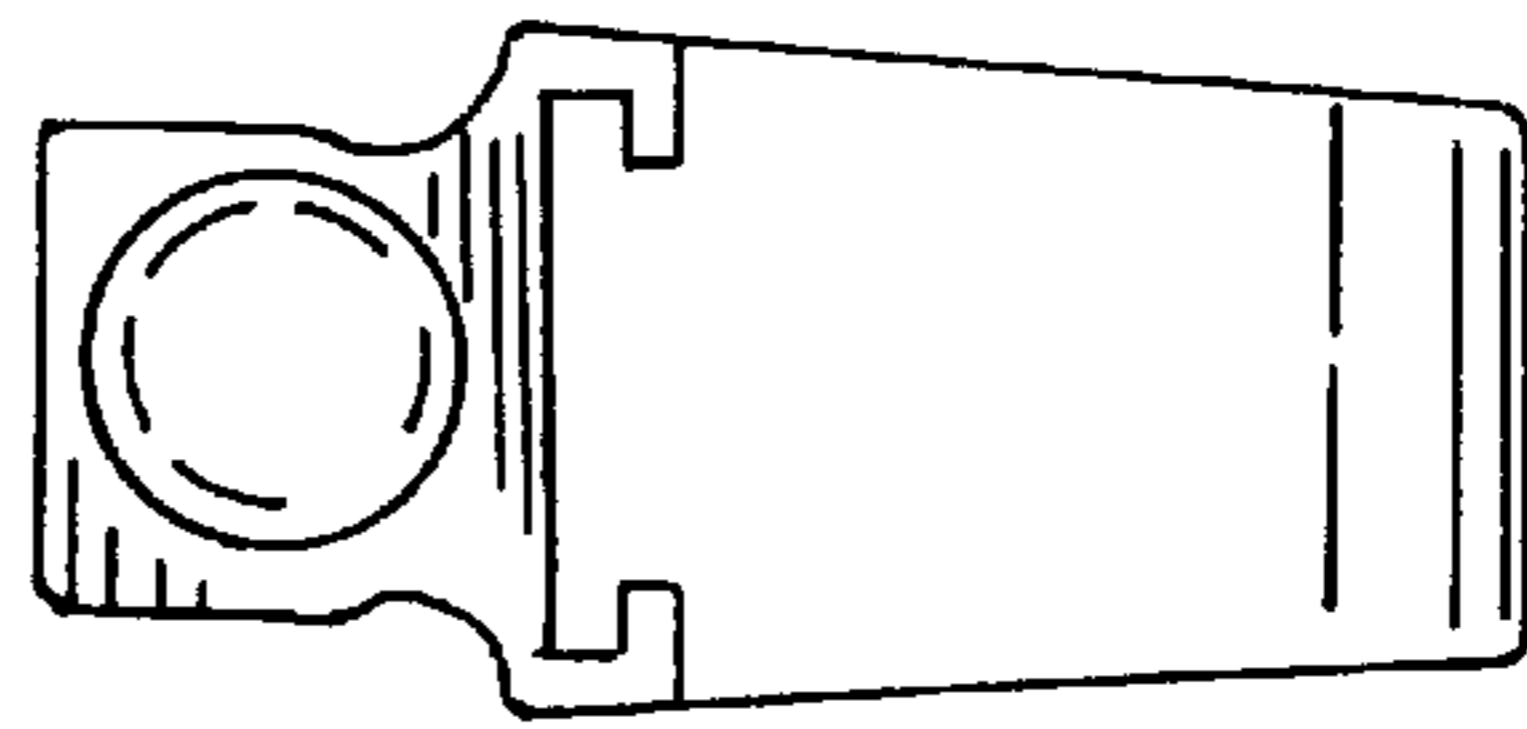


FIG. 4

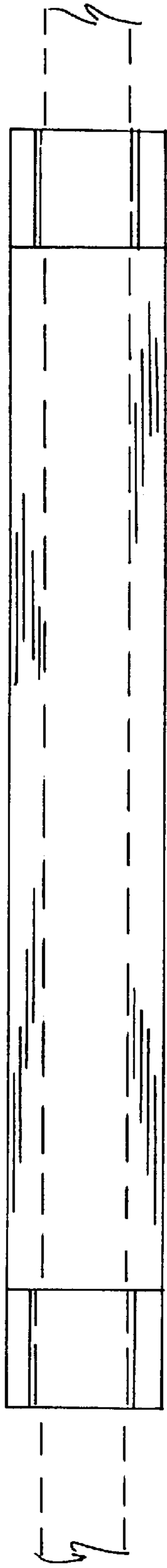


FIG. 5

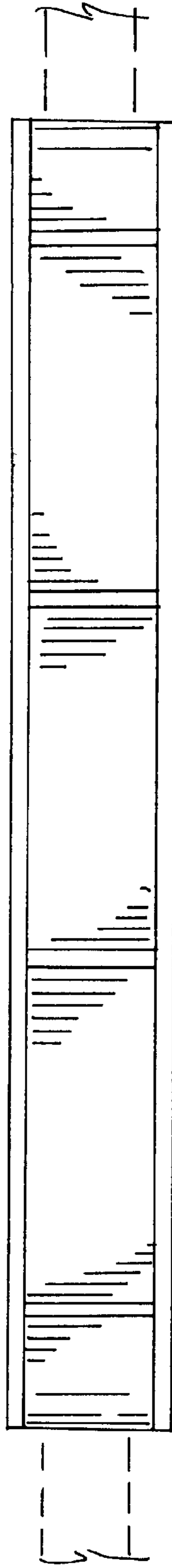


FIG. 6