



US00D486778S

(12) **United States Design Patent**
Orr

(10) **Patent No.:** **US D486,778 S**

(45) **Date of Patent:** **** Feb. 17, 2004**

(54) **AUTOMOBILE REAR VIEW MIRROR
ORNAMENT**

(76) **Inventor:** **Kevin Orr**, 741 Koala Ct., Wilmington,
IL (US) 60481

(**) **Term:** **14 Years**

(21) **Appl. No.:** **29/169,798**

(22) **Filed:** **Oct. 25, 2002**

(51) **LOC (7) Cl.** **12-16**

(52) **U.S. Cl.** **D12/400**

(58) **Field of Search** D12/400, 199,
D12/114; D11/133, 157; D17/22; 84/402,
422.1-422.3; 248/214, 215; 446/177, 268,
361

(56) **References Cited**

U.S. PATENT DOCUMENTS

D301,893 S	*	6/1989	Hargrove	D17/22
5,037,051 A		8/1991	Moriello	248/215
5,367,939 A	*	11/1994	Barker	84/402
5,391,104 A		2/1995	Goerge	446/177
5,739,447 A	*	4/1998	Hoshino	84/402

D418,476 S	*	1/2000	Nickel	D12/400
D427,962 S	*	7/2000	Low	D12/400
D440,297 S		4/2001	Aiken	D23/367
D477,270 S	*	7/2003	Bowers	D12/400

* cited by examiner

Primary Examiner—Melody N. Brown
(74) *Attorney, Agent, or Firm*—Goldstein Law Offices, P.C.

(57) **CLAIM**

The ornamental design for an automobile rear view mirror ornament, as shown and described.

DESCRIPTION

FIG. 1 is a perspective view of an automobile rear view mirror ornament.
FIG. 2 is a front elevational view thereof.
FIG. 3 is a rear elevational view thereof.
FIG. 4 is a left side elevational view thereof.
FIG. 5 is a right side elevational view thereof.
FIG. 6 is a top plan view of the automobile rear view mirror ornament; and,
FIG. 7 is a bottom plan view thereof.

1 Claim, 4 Drawing Sheets



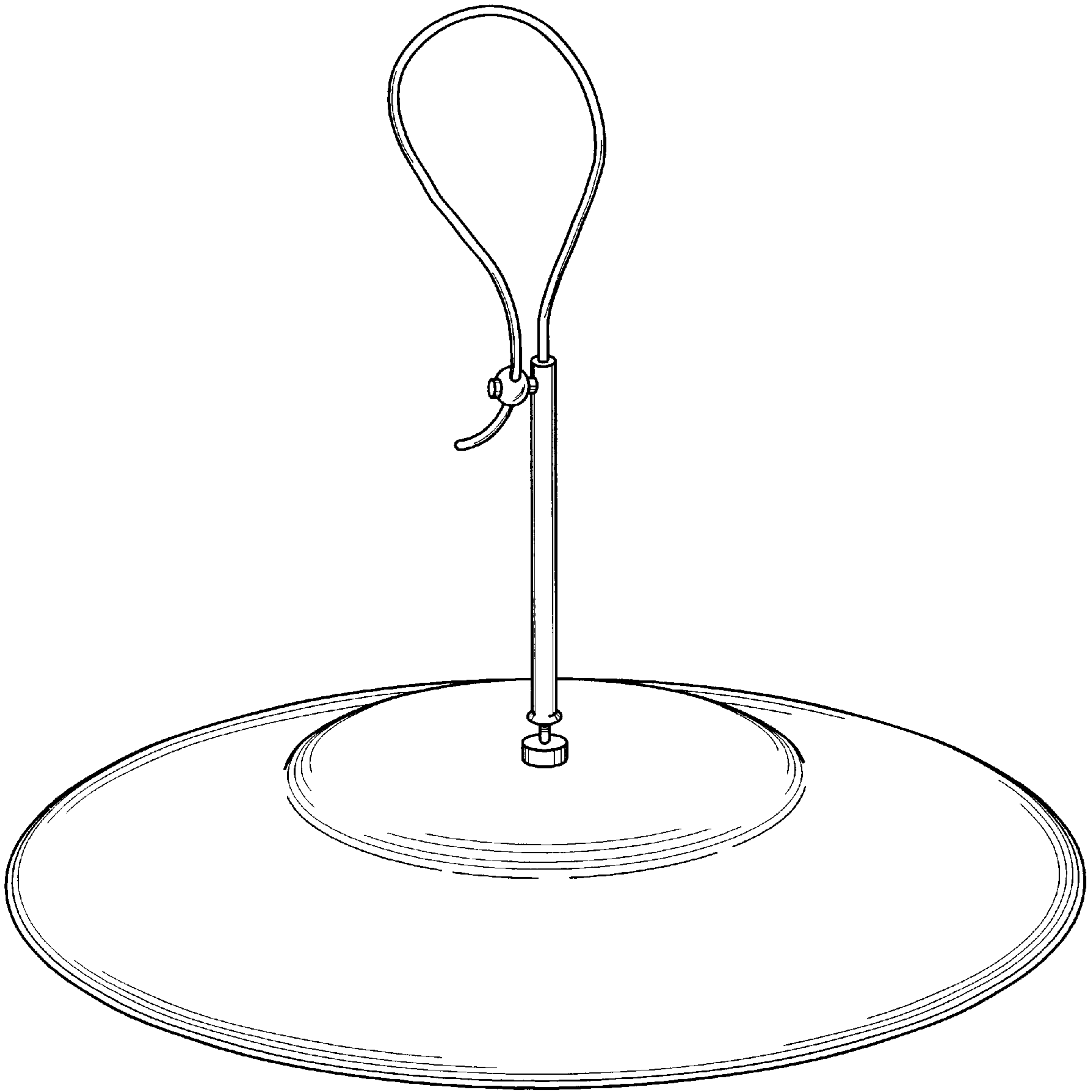


FIG. 1

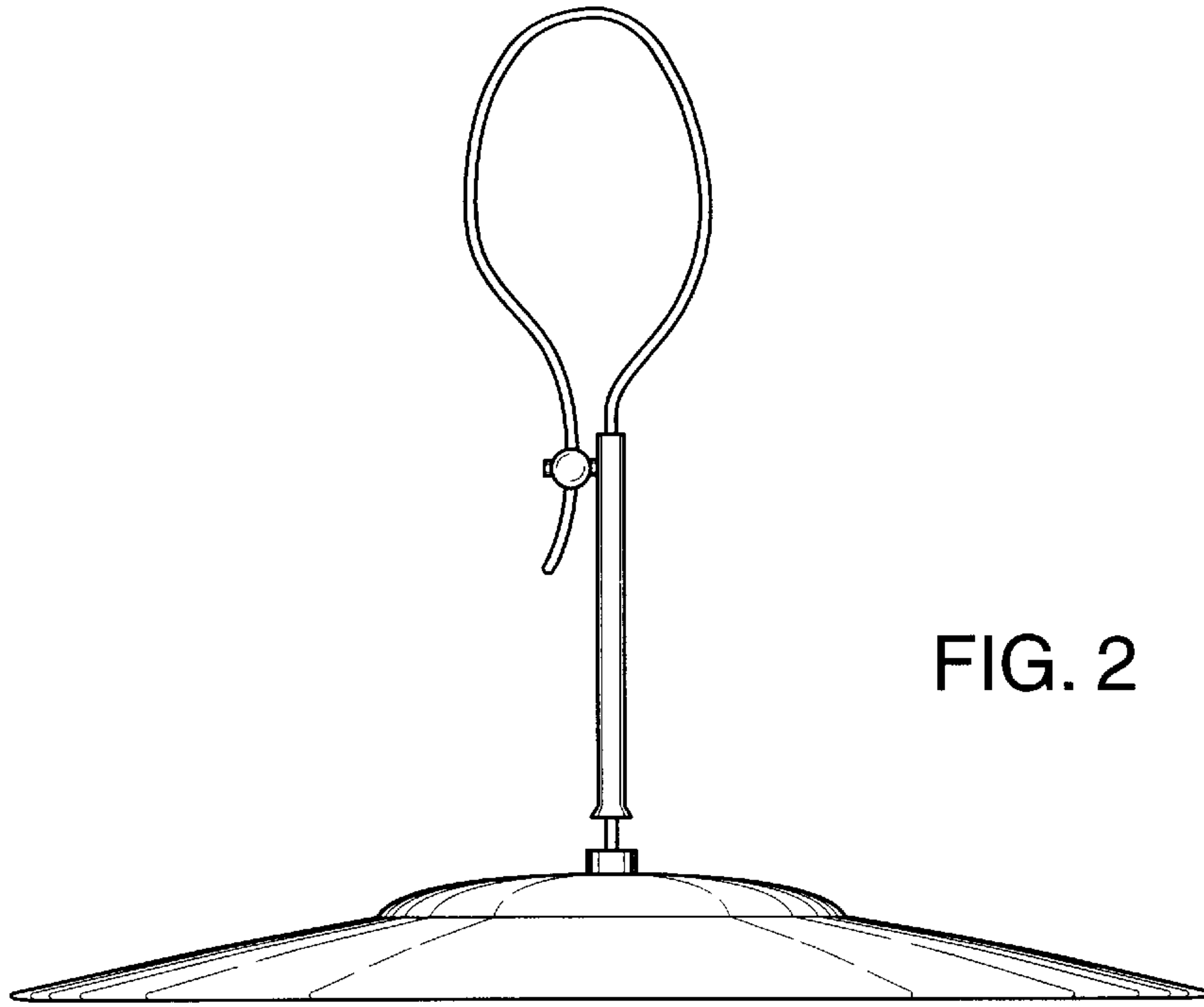


FIG. 2

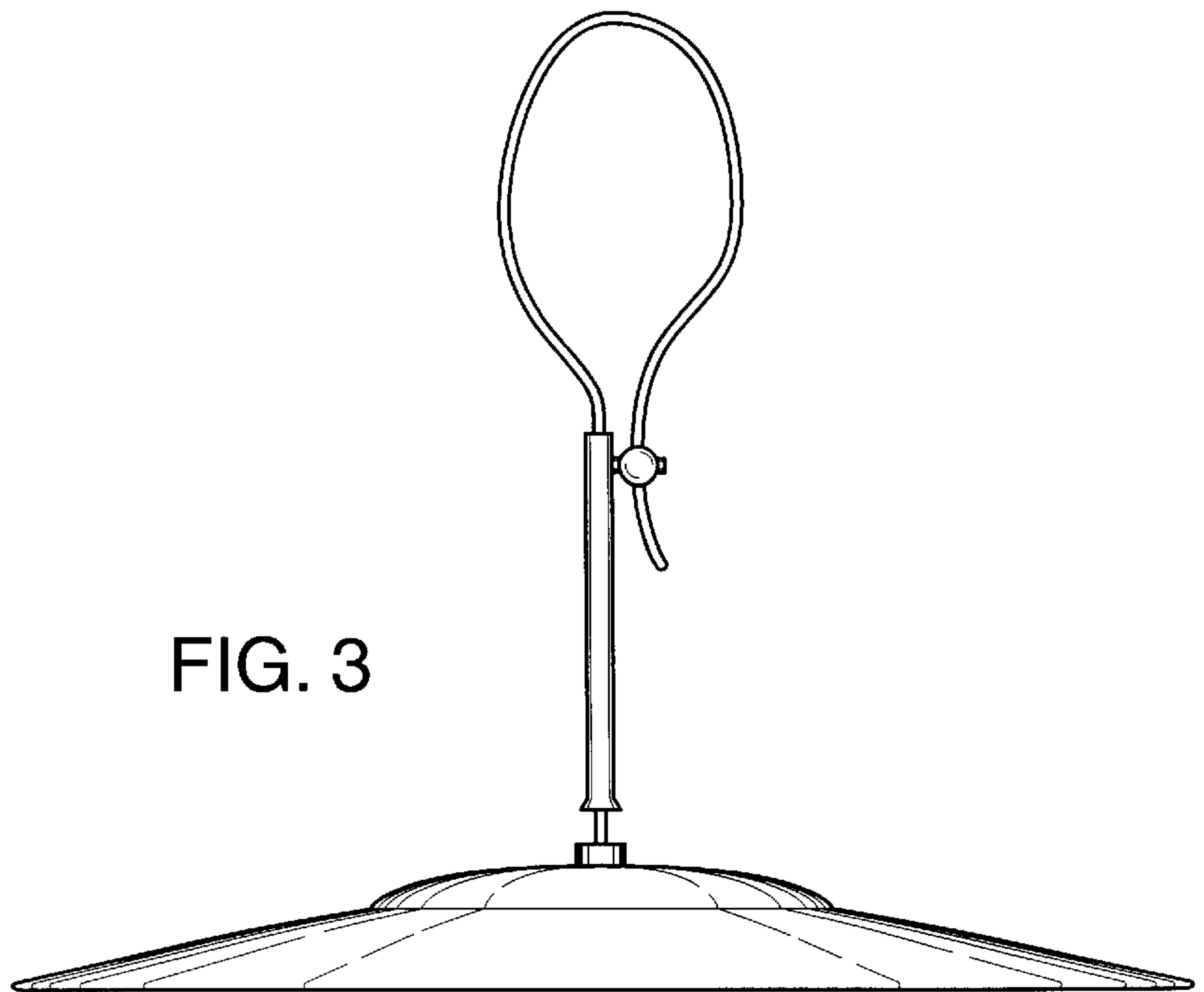


FIG. 3

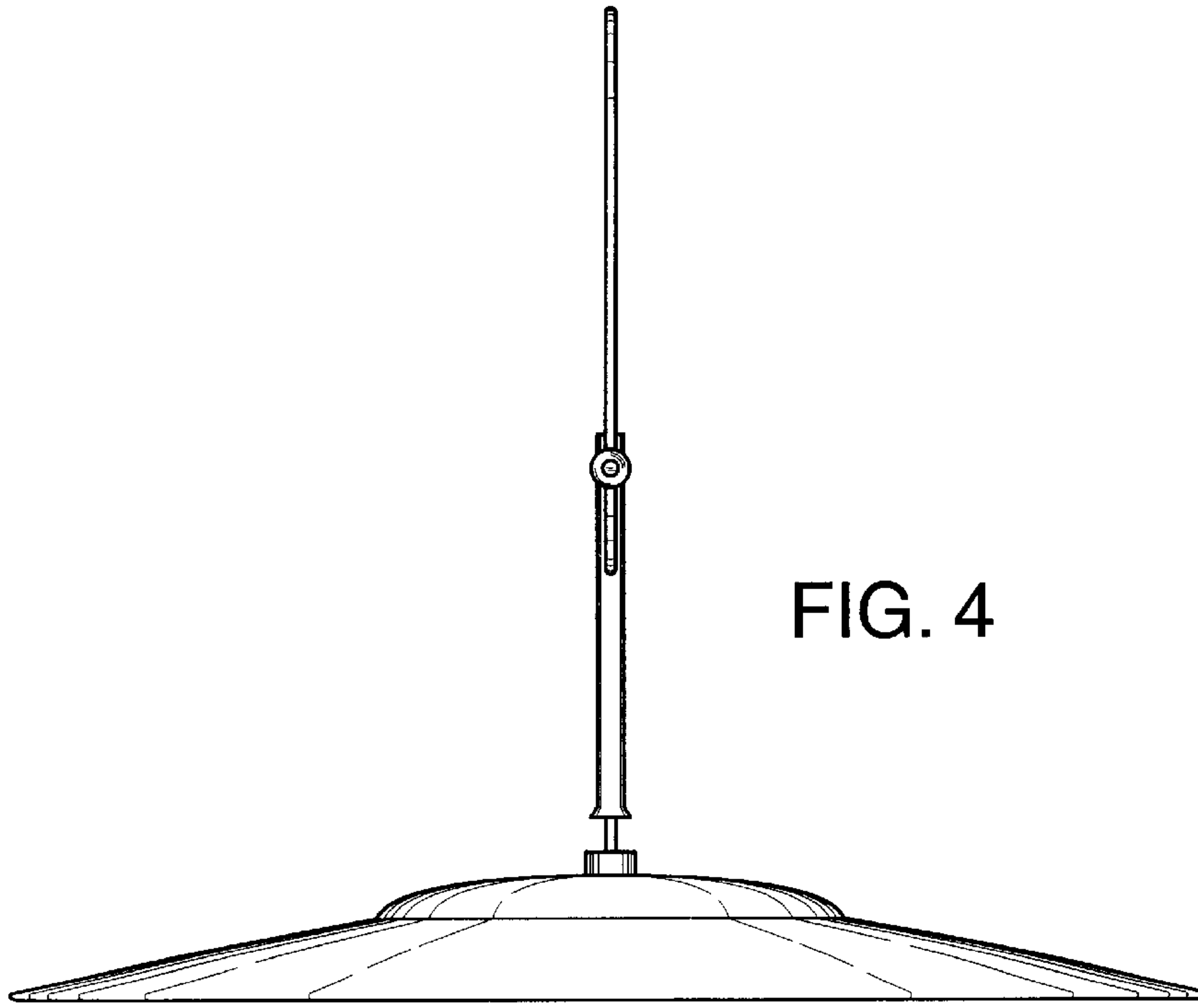


FIG. 4

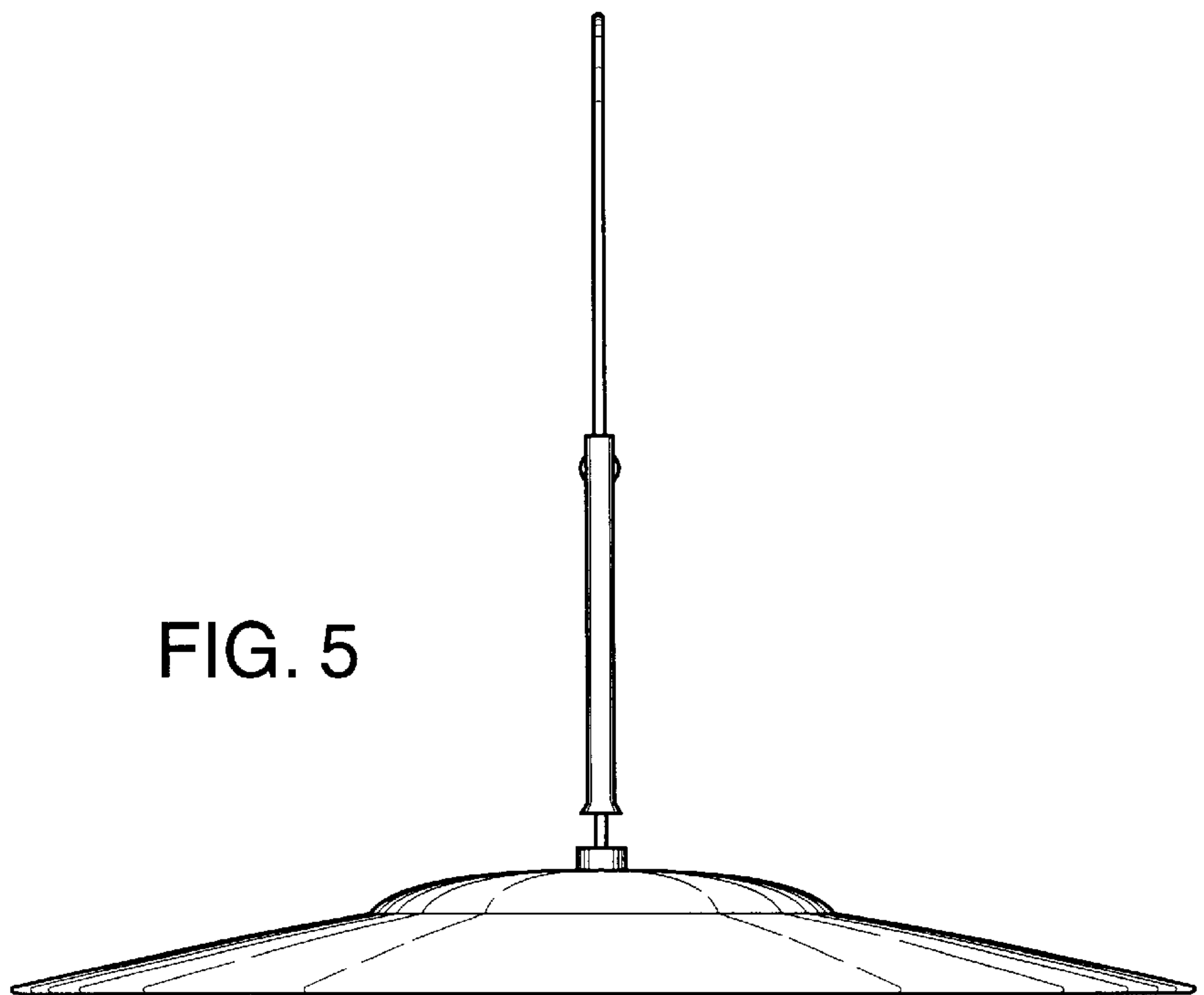


FIG. 5

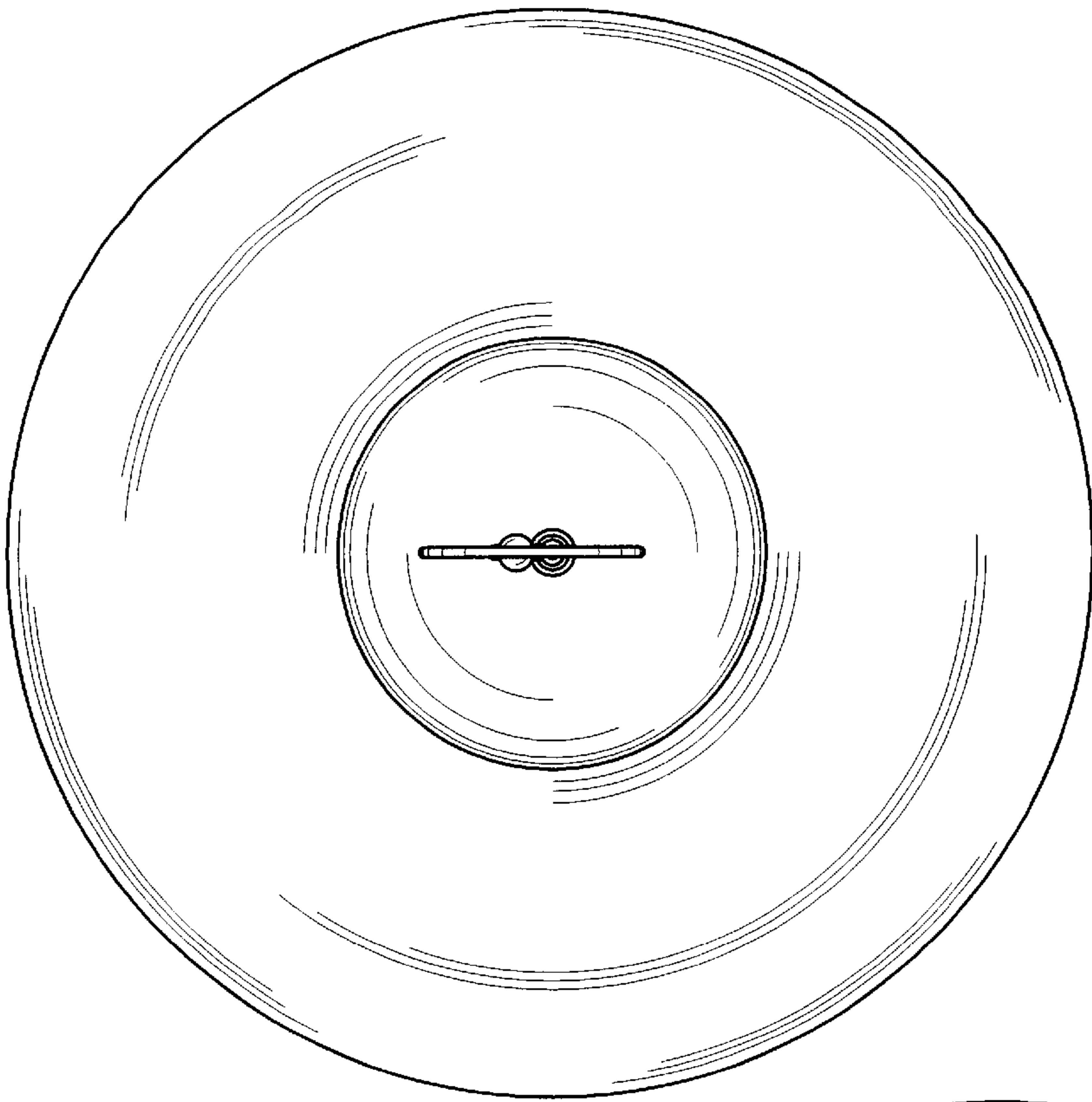


FIG. 6

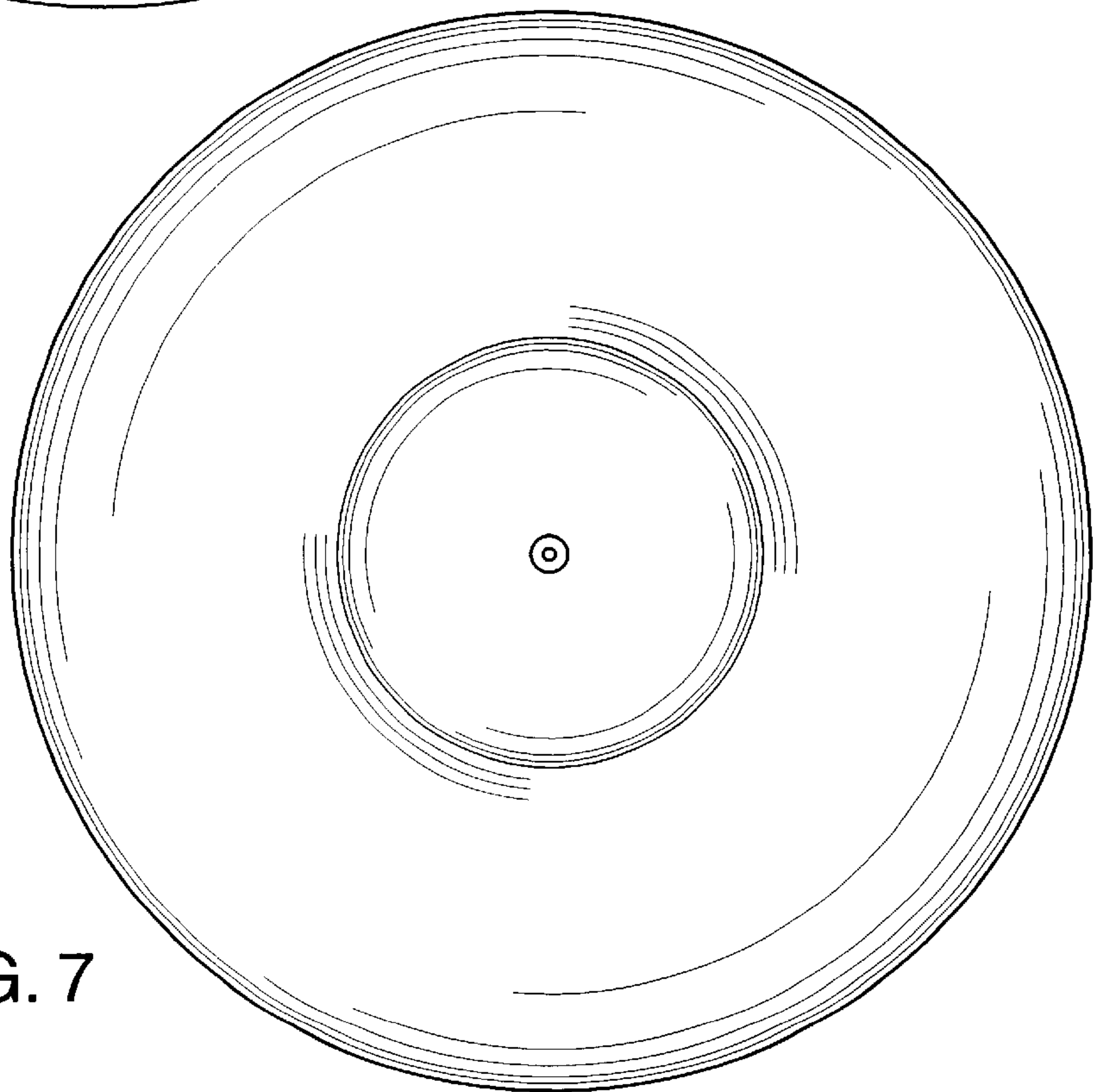


FIG. 7