



US00D486773S

(12) **United States Design Patent**  
**Lee, Jr. et al.**

(10) **Patent No.:** **US D486,773 S**

(45) **Date of Patent:** **\*\* Feb. 17, 2004**

(54) **SPREADER COLLAR ASSEMBLY**

(76) Inventors: **Roswell E. Lee, Jr.**, 1612 Granada Blvd., Coral Gables, FL (US) 33134;  
**Brian D. Lee**, 518 Almeria, Coral Gables, FL (US) 33134

(\*\*) Term: **14 Years**

(21) Appl. No.: **29/152,538**

(22) Filed: **Dec. 21, 2001**

(51) **LOC (7) Cl.** ..... **12-06**

(52) **U.S. Cl.** ..... **D12/317**

(58) **Field of Search** ..... D12/317; 114/255,  
114/364

(56) **References Cited**

**U.S. PATENT DOCUMENTS**

2,593,989	A	*	4/1952	Crandall	.....	52/651.07
D366,445	S	*	1/1996	Seggern	.....	D12/317
5,592,893	A	*	1/1997	Jordan et al.	.....	114/255

\* cited by examiner

*Primary Examiner*—Holly Baynham  
(74) *Attorney, Agent, or Firm*—Malloy & Malloy, P.A.

(57) **CLAIM**

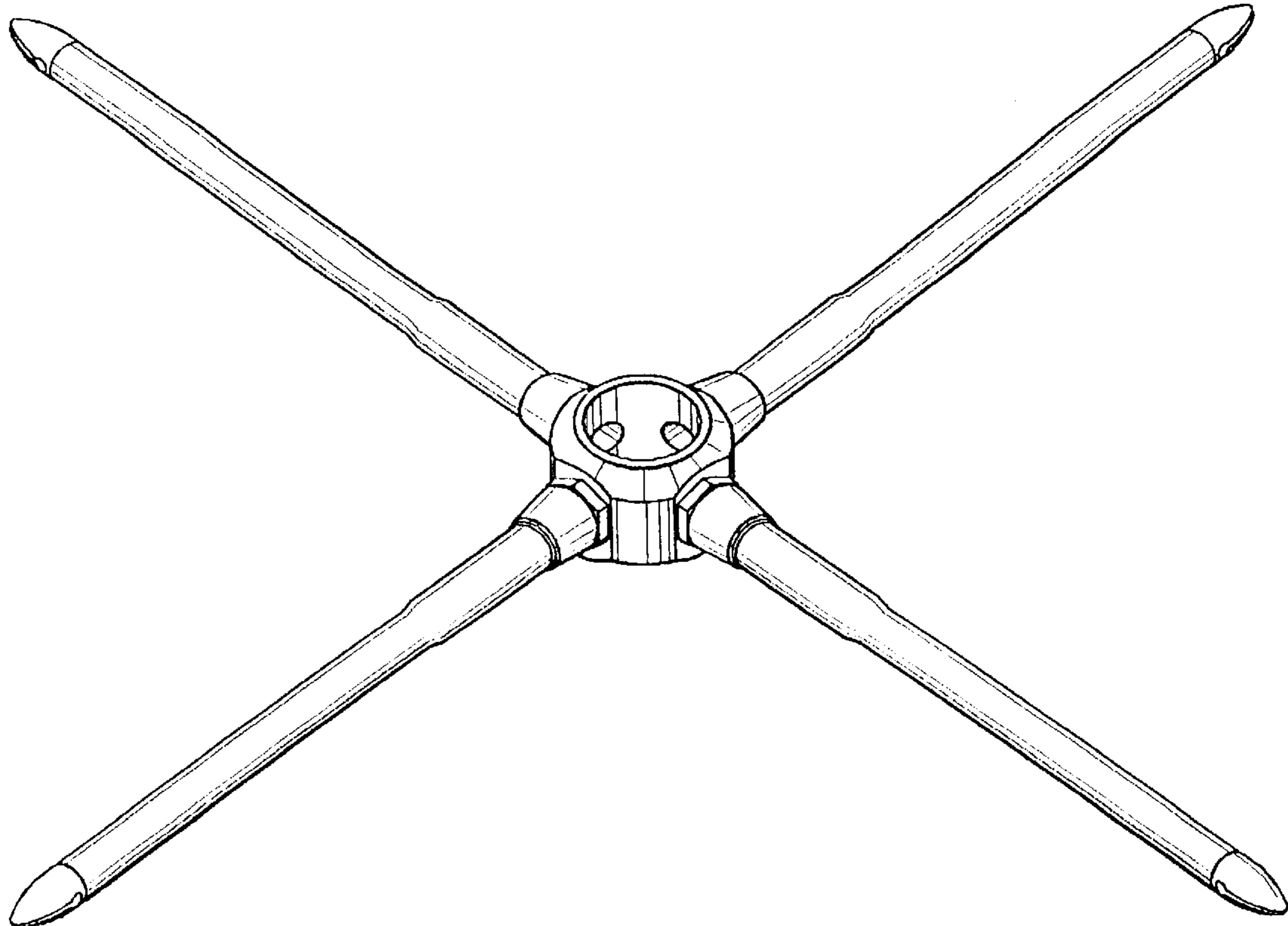
The ornamental design for spreader collar assembly, as shown and described.

**DESCRIPTION**

FIG. 1 is a front perspective view illustrating my design for a spreader collar assembly;  
FIG. 2 is a front view of my design;  
FIG. 3 is a left side view of my design;  
FIG. 4 is a top plan view of my design;  
FIG. 5 is a right side view of my design;  
FIG. 6 is a bottom view of my design;  
FIG. 7 is a rear view of my design;  
FIG. 8 is a detailed end view in partial cutaway; and,  
FIG. 9 is a top plan view in partial cutaway.

The drawing views of FIGS. 8 and 9 are shown enlarged and fragmented for clarity of illustration.

**1 Claim, 4 Drawing Sheets**



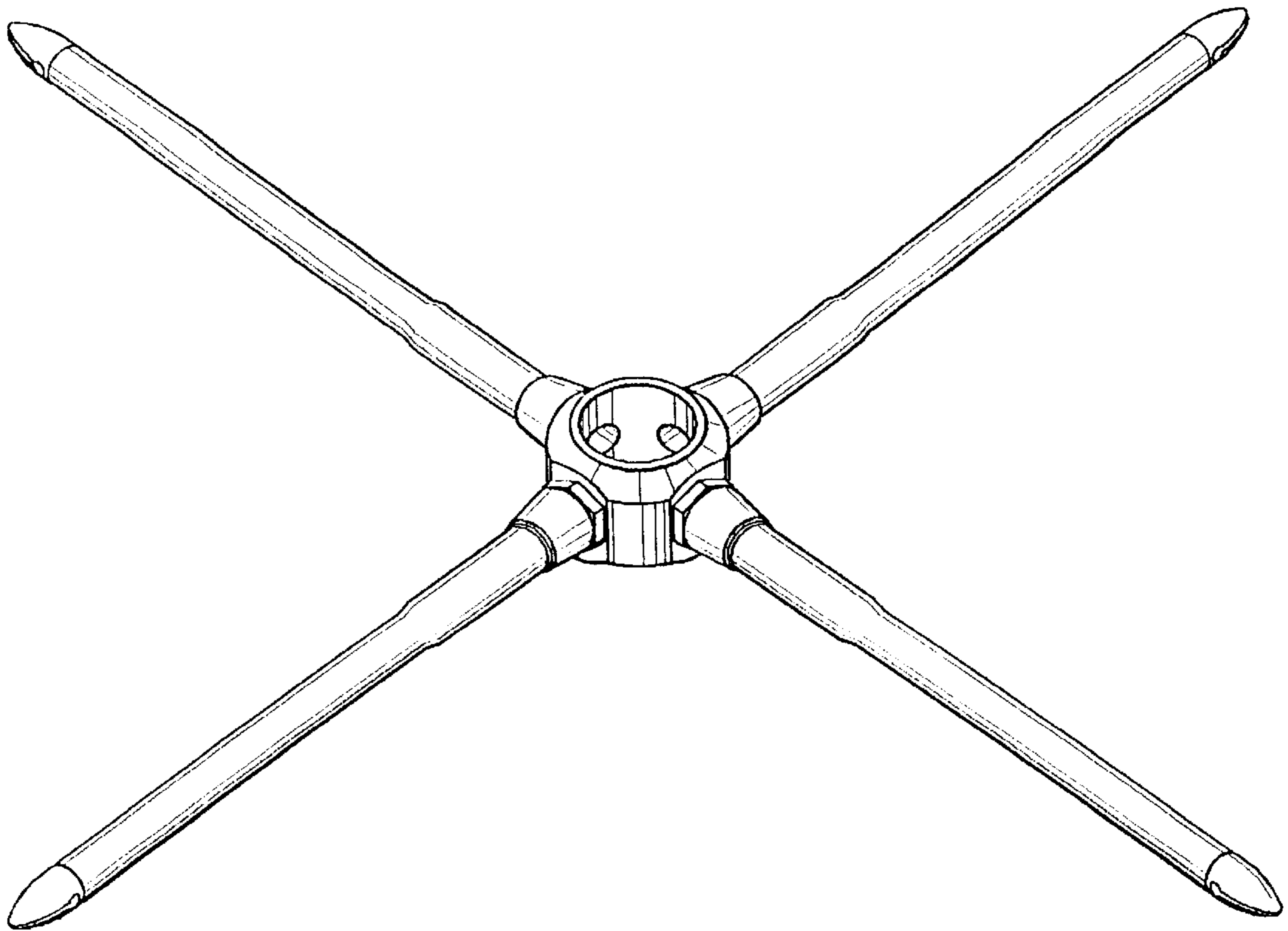


FIG. 1

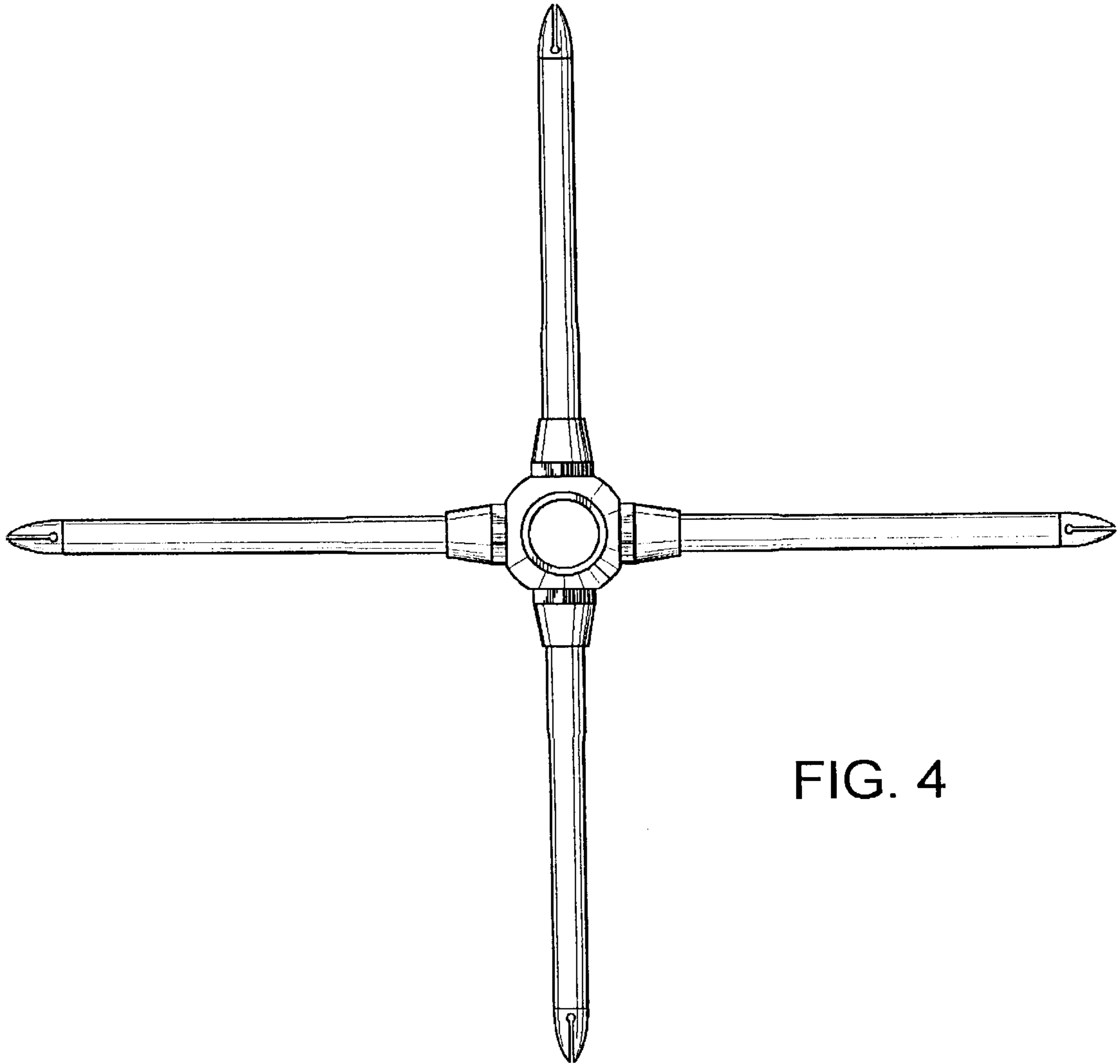


FIG. 4

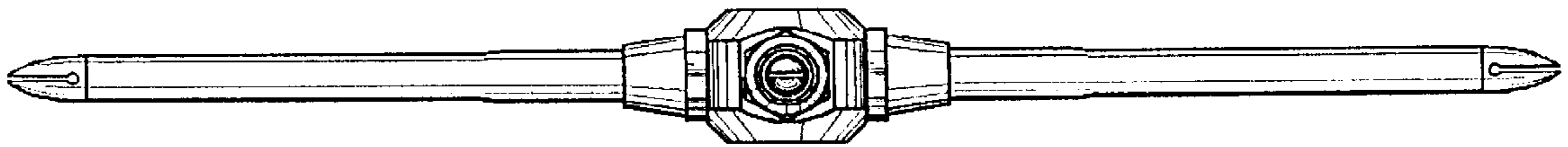


FIG. 2

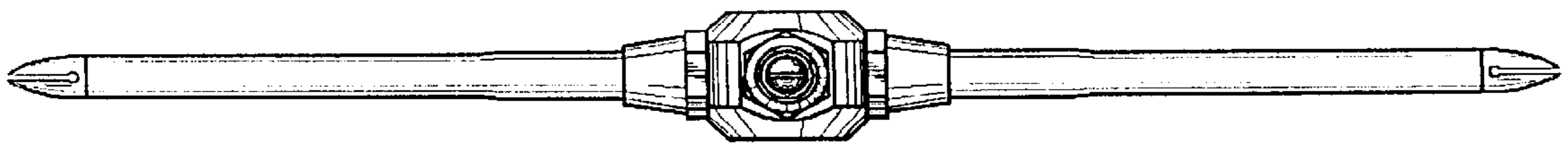


FIG. 7

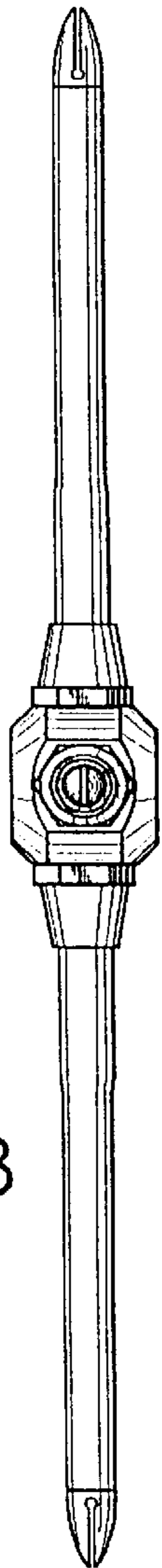


FIG. 3

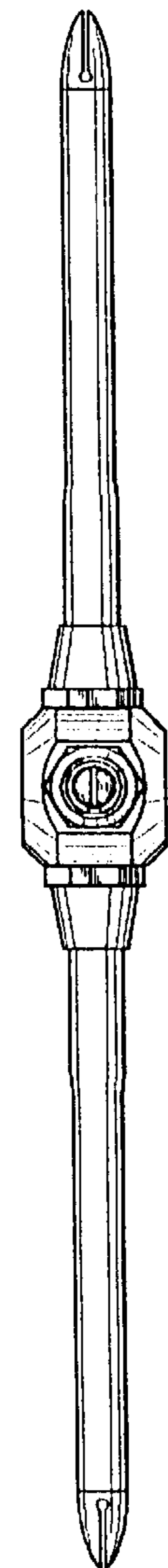


FIG. 5

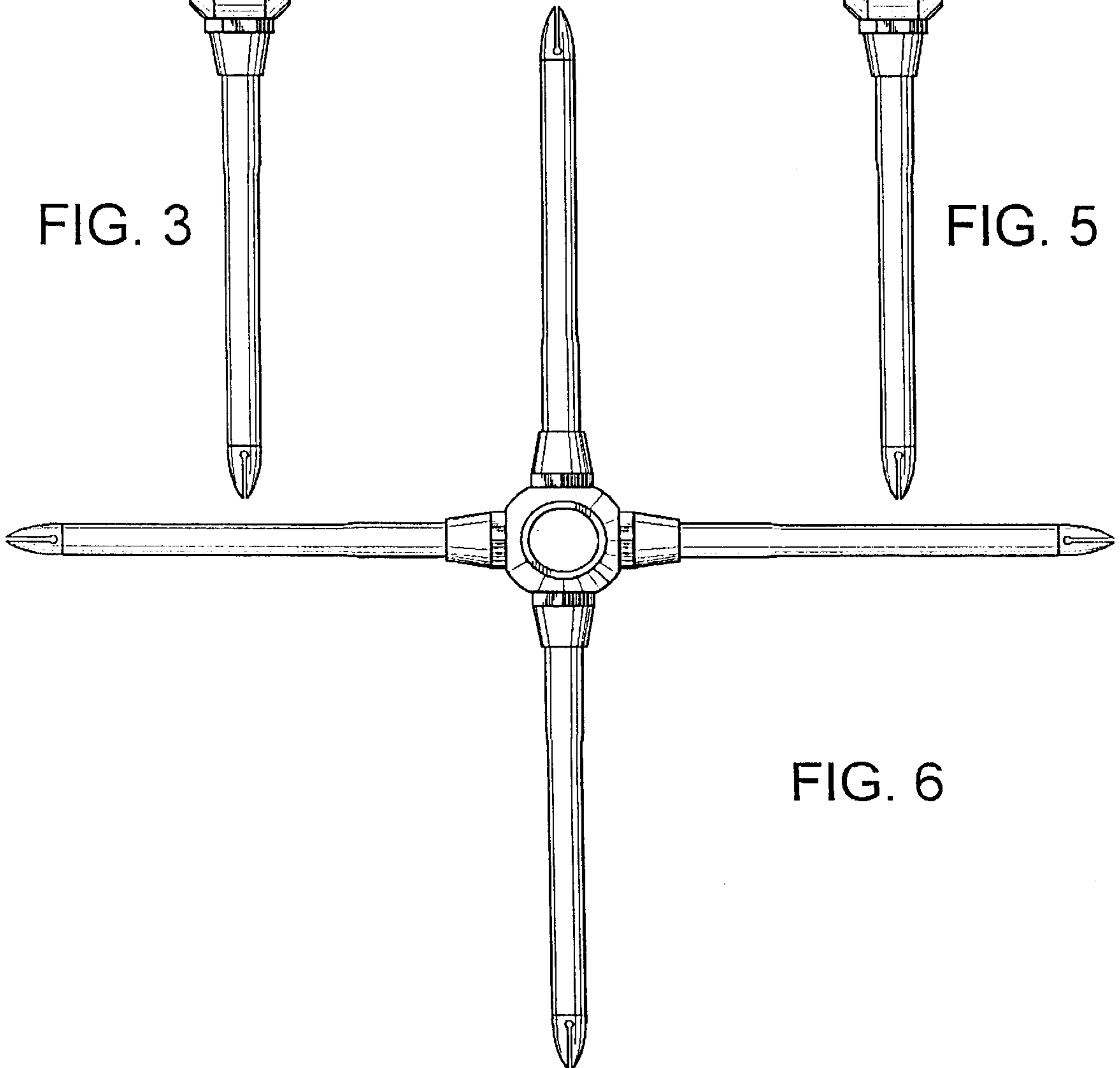


FIG. 6

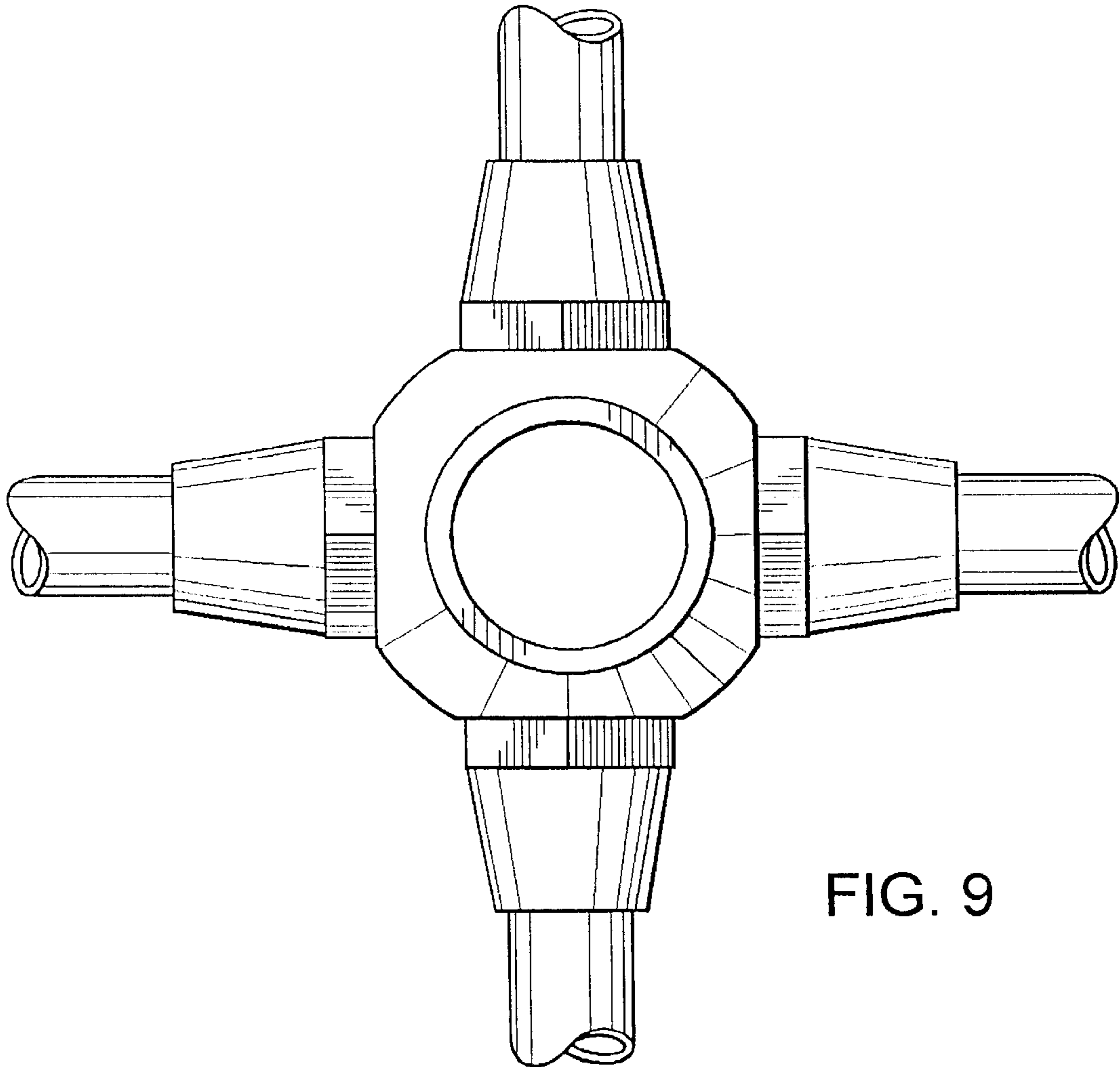


FIG. 9

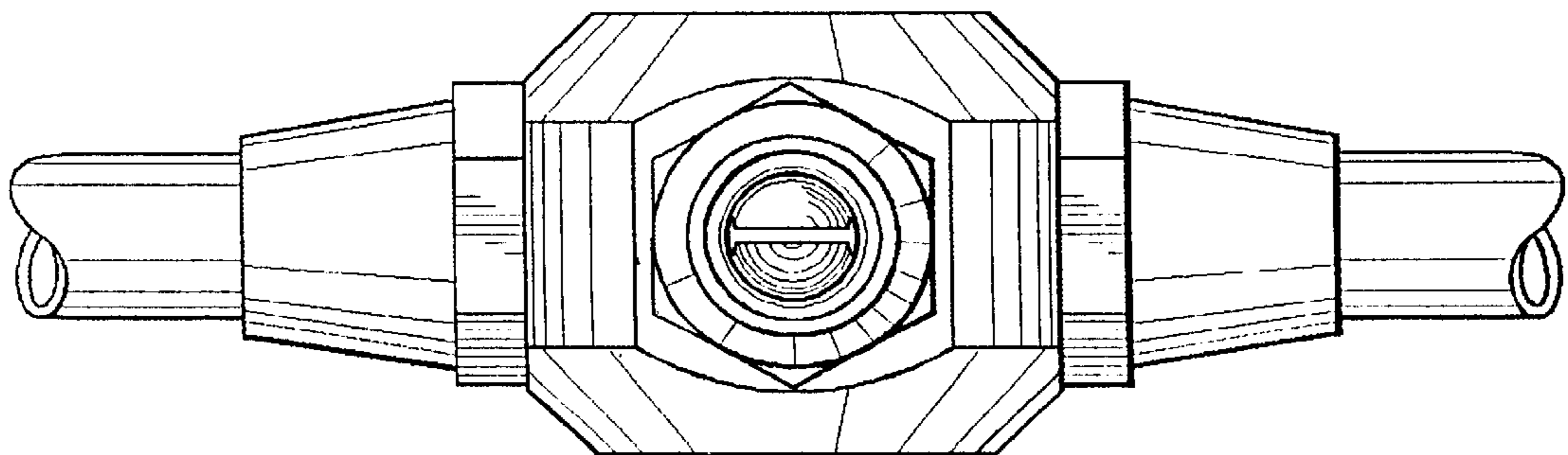


FIG. 8