



US00D486772S

(12) **United States Design Patent**
Warming

(10) **Patent No.:** **US D486,772 S**

(45) **Date of Patent:** **** Feb. 17, 2004**

(54) **FRONT FACE OF A VEHICLE WHEEL**

(75) **Inventor:** **Anders Warming**, Woodland Hills, CA
(US)

(73) **Assignee:** **Bayerische Motoren Werke**
Aktiengesellschaft, Munich (DE)

(**) **Term:** **14 Years**

D415,991 S	*	11/1999	Wang	D12/211
D433,985 S	*	11/2000	Pfeiffer	D12/209
D436,911 S	*	1/2001	Chung	D12/211
D450,288 S	*	11/2001	Lee	D12/209
D450,646 S	*	11/2001	Kuribayashi	D12/209
D457,119 S	*	5/2002	Braun et al.	D12/211
D464,009 S	*	10/2002	Laengerer	D12/211
D473,836 S	*	4/2003	Laengerer	D12/211
D477,556 S	*	7/2003	Koch	D12/211

* cited by examiner

(21) **Appl. No.:** **29/167,685**

(22) **Filed:** **Sep. 20, 2002**

(30) **Foreign Application Priority Data**

Mar. 22, 2002 (DE) 4 02 02 745

(51) **LOC (7) Cl.** **12-16**

(52) **U.S. Cl.** **D12/211**

(58) **Field of Search** D12/204-211;
301/37.101, 64.101, 65

(56) **References Cited**

U.S. PATENT DOCUMENTS

D396,441 S	*	7/1998	Nishida	D12/209
D402,612 S	*	12/1998	Nishida	D12/209
D404,700 S	*	1/1999	Celeste	D12/209

Primary Examiner—Stacia Cadmus

(74) *Attorney, Agent, or Firm*—Crowell & Moring LLP

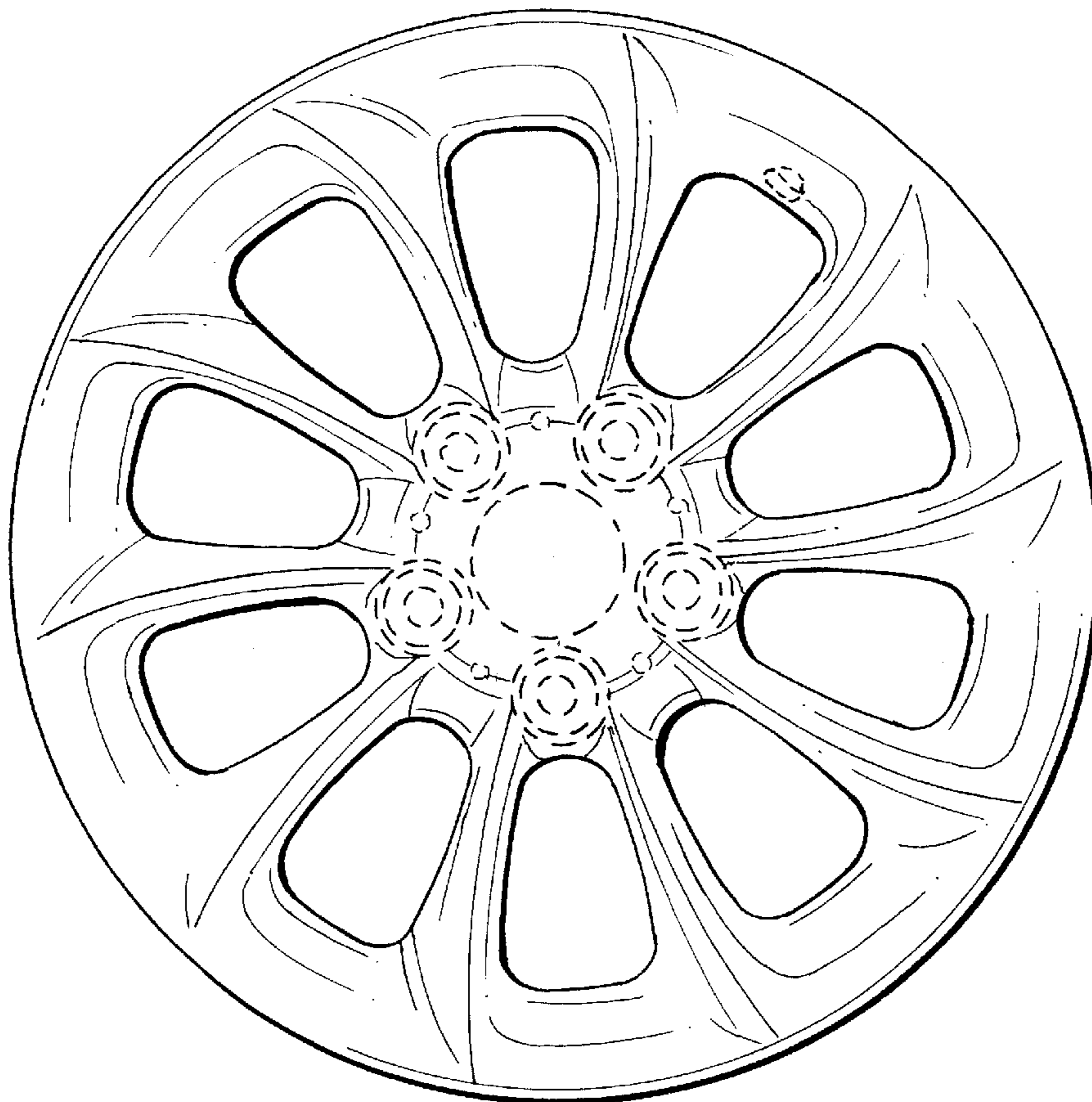
(57) **CLAIM**

The ornamental design for a front face of a vehicle wheel, as shown and described.

DESCRIPTION

FIG. 1 is a front view of a front face of a vehicle wheel according to my novel design; and, FIG. 2 is a perspective view of the front face of a vehicle wheel according to my novel design. The dash lines included depict environment and are not part of the claimed design.

1 Claim, 1 Drawing Sheet



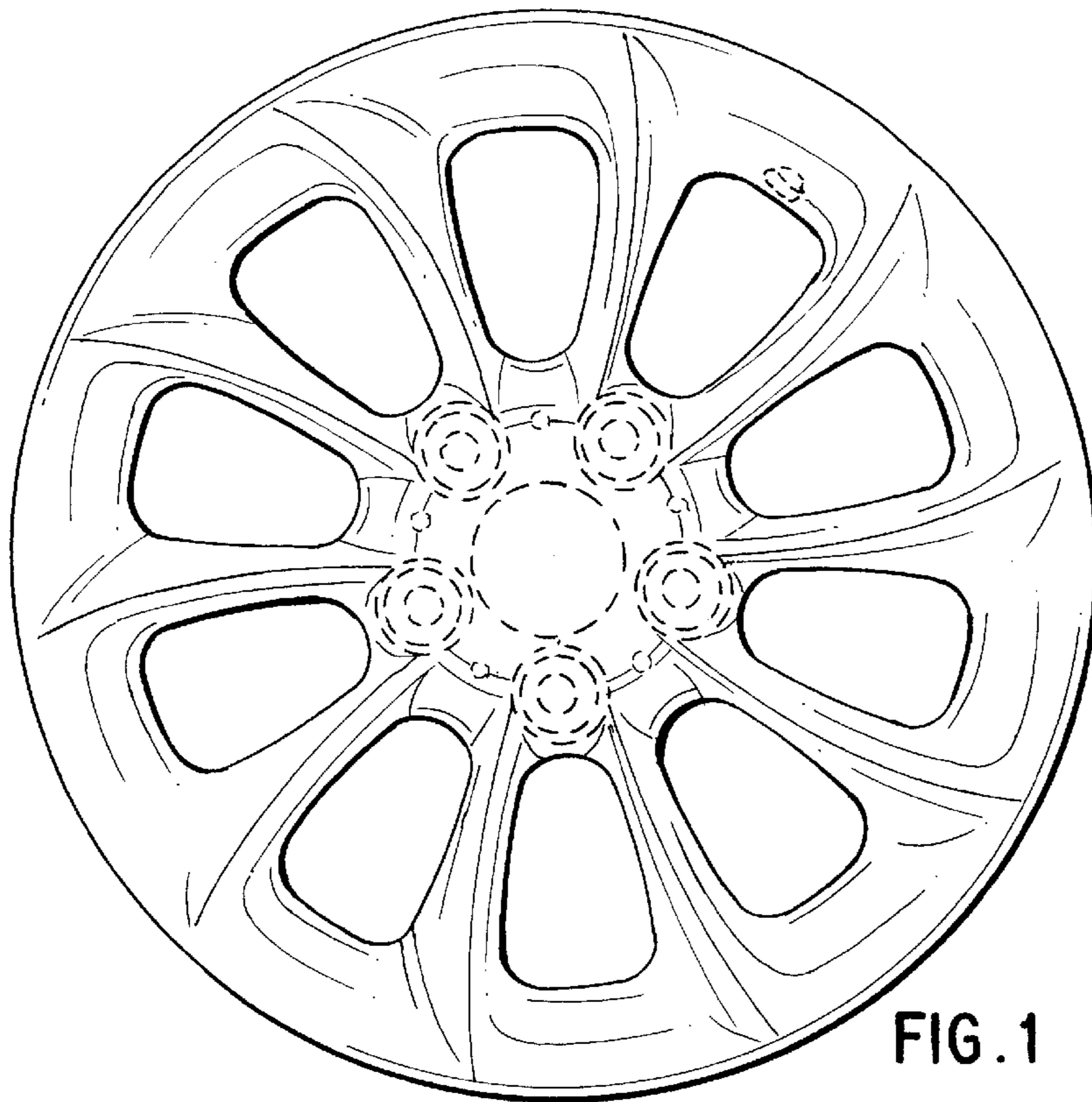


FIG. 1

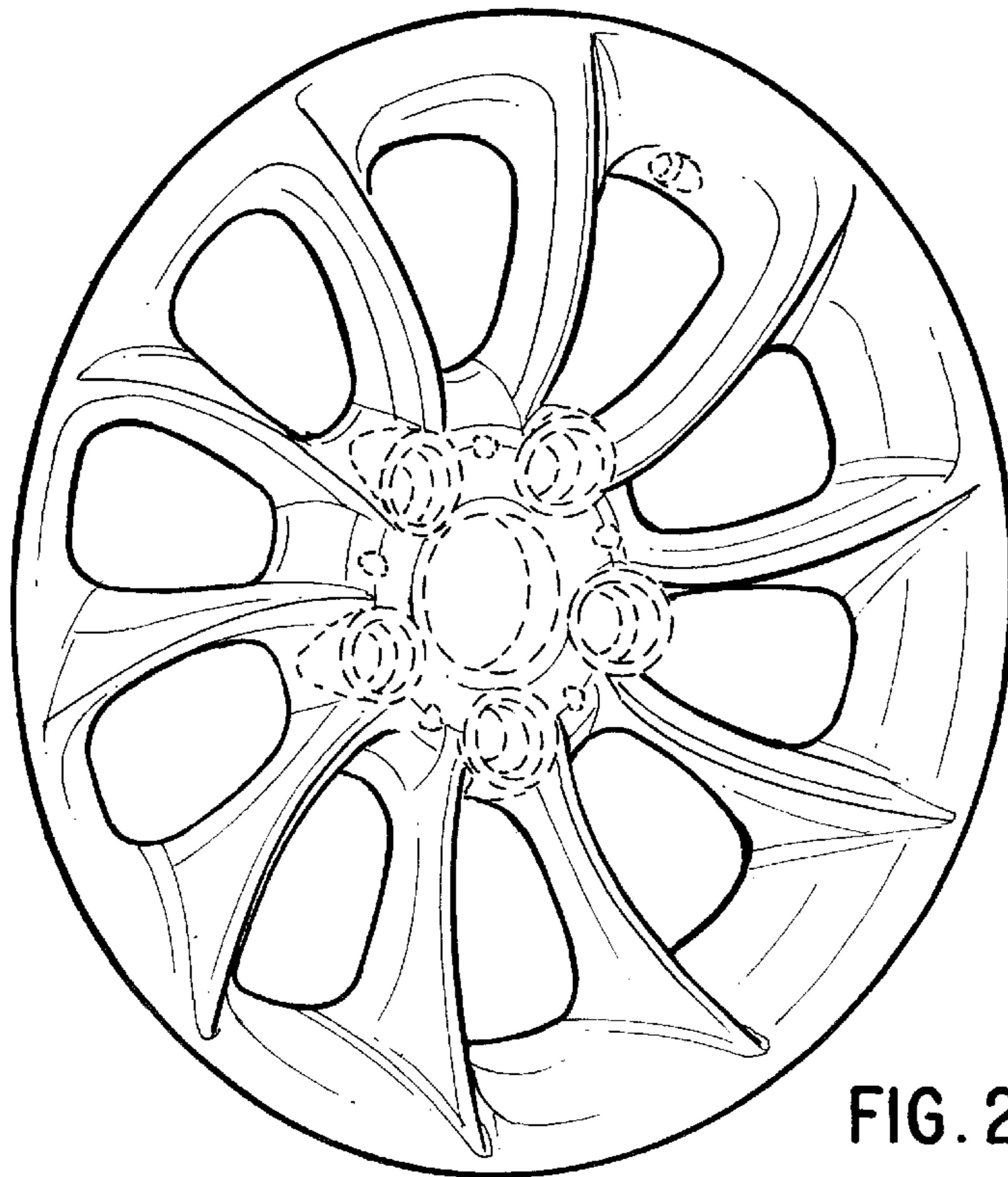


FIG. 2