



US00D486770S

(12) **United States Design Patent**
Pollmann

(10) **Patent No.:** **US D486,770 S**

(45) **Date of Patent:** **** Feb. 17, 2004**

(54) **FRONT FACE OF A VEHICLE WHEEL**

(75) **Inventor:** **Gert Pollmann, Boehmfeld (DE)**

(73) **Assignee:** **Bayerische Motoren Werke
Aktiengesellschaft, Munich (DE)**

(**) **Term:** **14 Years**

(21) **Appl. No.:** **29/167,684**

(22) **Filed:** **Sep. 20, 2002**

(30) **Foreign Application Priority Data**

Mar. 22, 2002 (DE) 4 02 02 745

(51) **LOC (7) Cl. 12-16**

(52) **U.S. Cl. D12/209**

(58) **Field of Search D12/204-211;
301/37.101, 64.101, 65**

(56) **References Cited**

U.S. PATENT DOCUMENTS

- D267,564 S * 1/1983 Wright D12/211
- D361,547 S * 8/1995 Weld D12/211
- D368,885 S * 4/1996 Wagner D12/209
- D396,682 S * 8/1998 Sacco et al. D12/209
- D398,573 S * 9/1998 Cattaneo D12/211
- D407,364 S * 3/1999 Fisker D12/209
- D407,680 S * 4/1999 Bhambra D12/209
- D410,618 S * 6/1999 Hussaini et al. D12/211
- D412,692 S * 8/1999 Hussaini D12/209

- D413,851 S * 9/1999 Donikoglu D12/209
- D414,738 S * 10/1999 Escue D12/209
- D420,637 S * 2/2000 Glade D12/209
- D421,417 S * 3/2000 Weidhase D12/209
- D426,184 S * 6/2000 Goplen D12/209
- D428,846 S * 8/2000 Yoshida et al. D12/211
- D433,659 S * 11/2000 Frizzi D12/211
- D450,647 S * 11/2001 Pfeiffer D12/211
- D450,650 S * 11/2001 Cinibulk D12/211
- D454,105 S * 3/2002 Pfeiffer D12/209
- D459,689 S * 7/2002 Hieke D12/211
- D463,349 S * 9/2002 Vian D12/209
- D466,853 S * 12/2002 Maifrini D12/211

* cited by examiner

Primary Examiner—Stacia Cadmus

(74) *Attorney, Agent, or Firm*—Crowell & Moring LLP

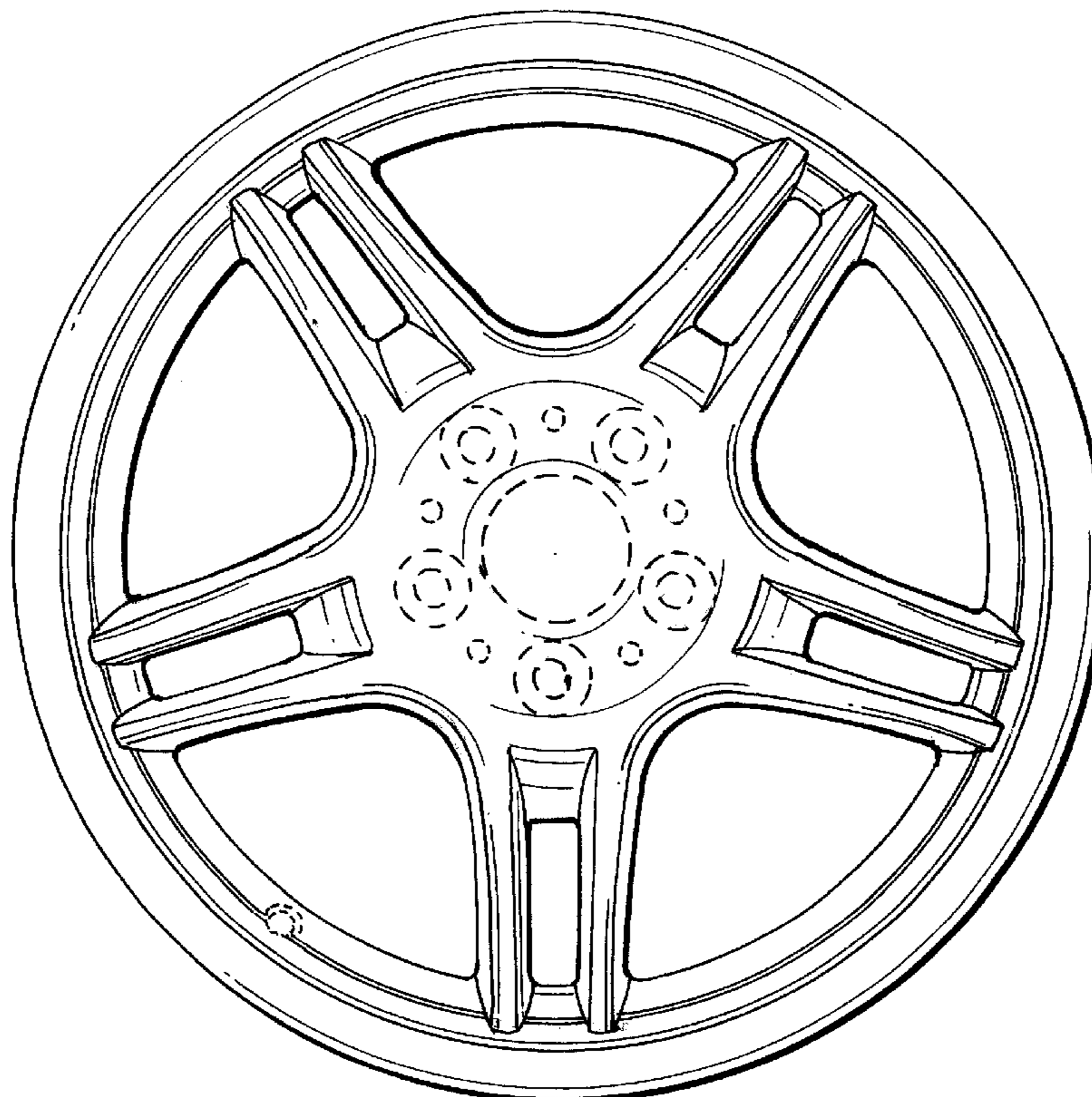
(57) **CLAIM**

The ornamental design for a front face of a vehicle wheel, as shown and described.

DESCRIPTION

FIG. 1 is a front view of a front face of a vehicle wheel according to my novel design; and, FIG. 2 is a perspective view of the front face of a vehicle wheel according to my novel design. The dash lines included depict environment and are not part of the claimed design. Also enclosed is a set of photographs of an embodiment of my invention.

1 Claim, 1 Drawing Sheet



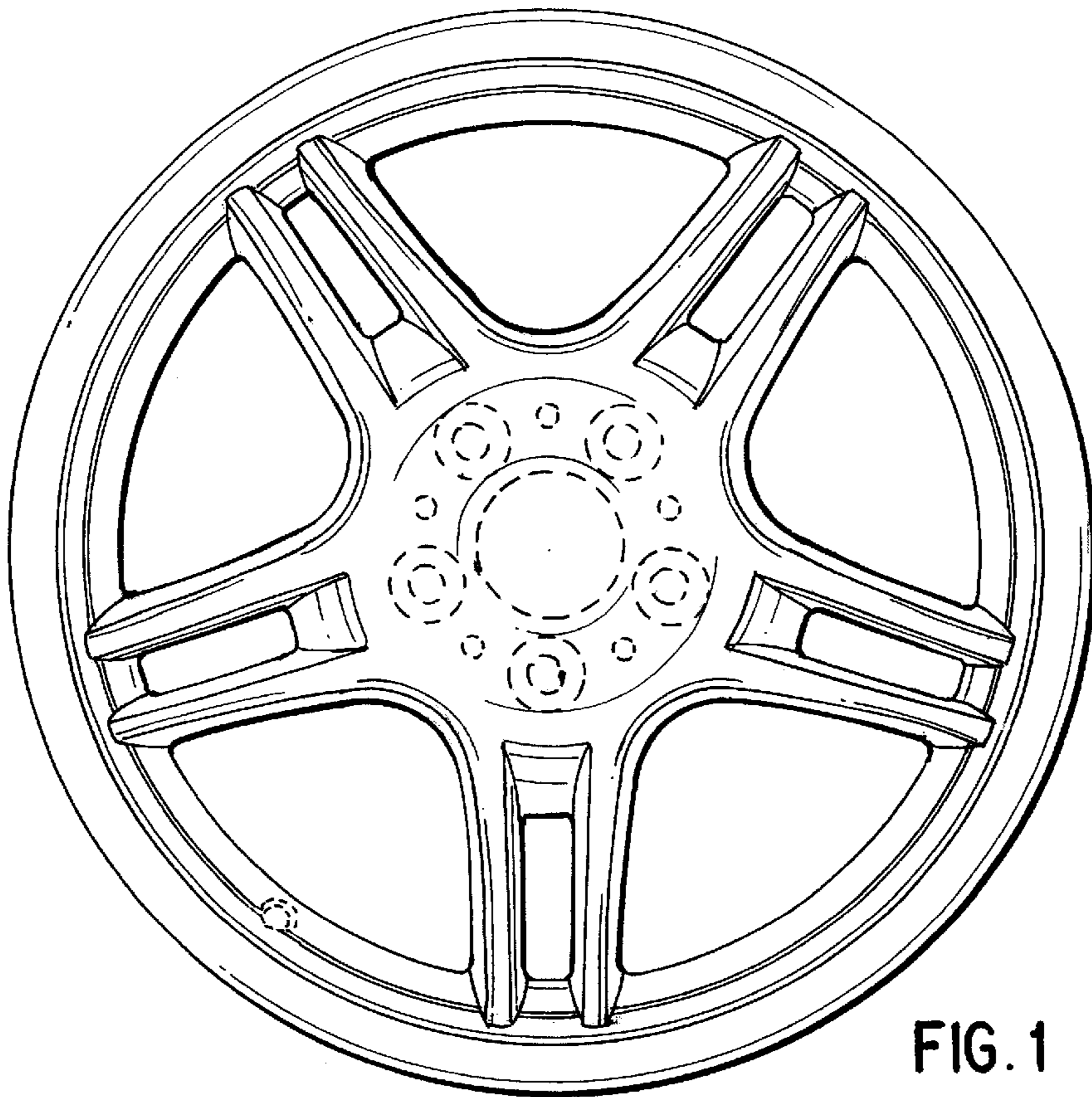


FIG. 1

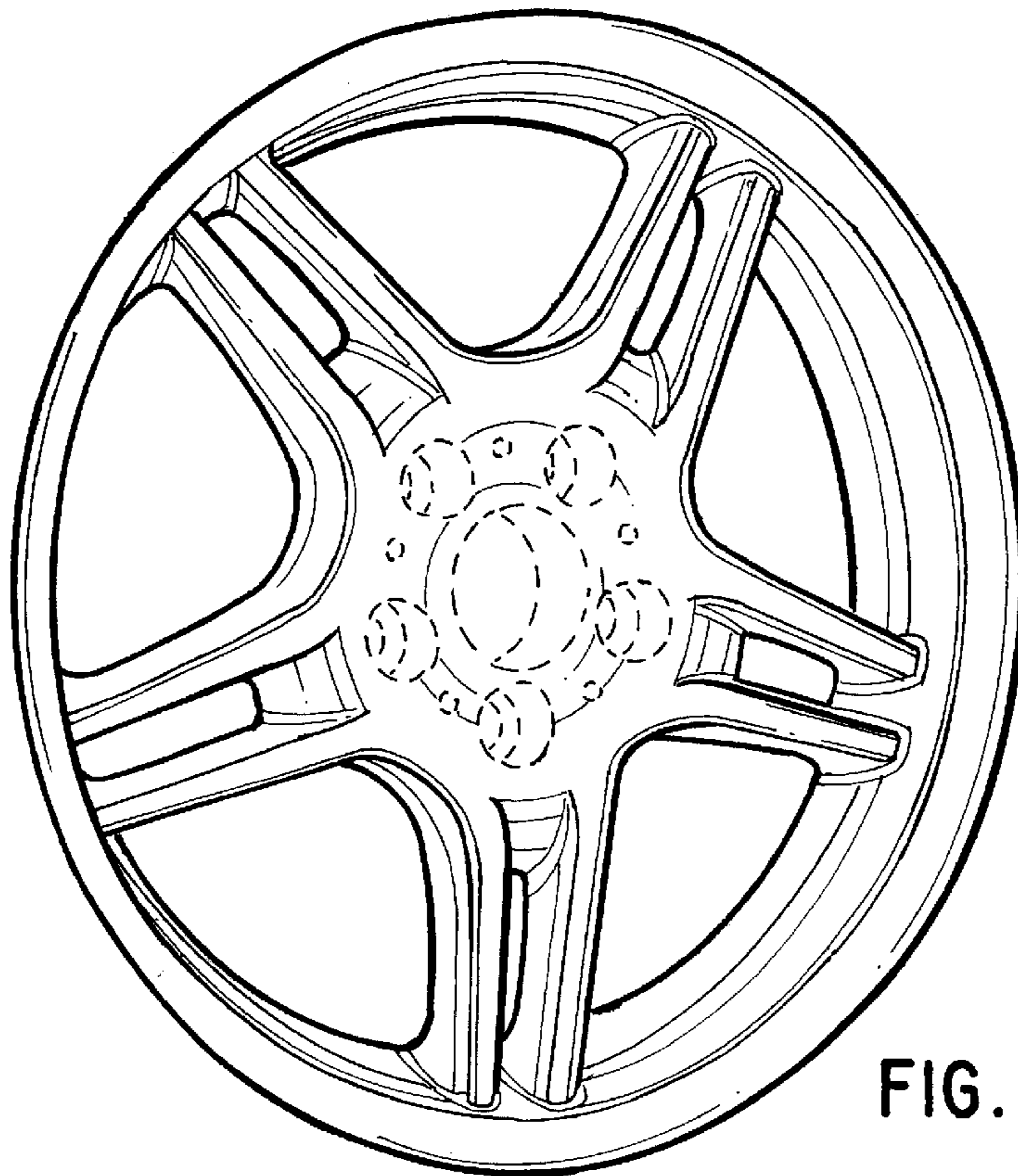


FIG. 2