



US00D486769S

(12) **United States Design Patent**
Gallert

(10) **Patent No.:** **US D486,769 S**

(45) **Date of Patent:** **** Feb. 17, 2004**

(54) **FRONT FACE OF A VEHICLE WHEEL**

(75) **Inventor:** **Michael Gallert, Stuttgart (DE)**

(73) **Assignee:** **Dr. Ing. h.c.F. Porsche
Aktiengesellschaft, Stuttgart (DE)**

(**) **Term:** **14 Years**

(21) **Appl. No.:** **29/162,237**

(22) **Filed:** **Jun. 13, 2002**

(30) **Foreign Application Priority Data**

Dec. 14, 2001 (DE) 401 10 967

(51) **LOC (7) Cl.** **12-16**

(52) **U.S. Cl.** **D12/209**

(58) **Field of Search** D12/204-211;
301/37.101, 64.101, 65

(56) **References Cited**

U.S. PATENT DOCUMENTS

- D422,959 S * 4/2000 Hussaini et al. D12/211
- D432,974 S * 10/2000 Jablonski D12/211
- D433,374 S * 11/2000 Wang D12/209

- D450,647 S * 11/2001 Pfeiffer D12/211
- D453,134 S * 1/2002 Murkett et al. D12/209
- D454,527 S * 3/2002 Bhambra D12/209
- D457,478 S * 5/2002 Minamisawa D12/211
- D460,037 S * 7/2002 Takechi D12/211
- D469,048 S * 1/2003 Van Hooydonk D12/209
- D474,139 S * 5/2003 Warming D12/209
- D477,262 S * 7/2003 Koch D12/209

* cited by examiner

Primary Examiner—Stacia Cadmus

(74) *Attorney, Agent, or Firm*—Crowell & Moring LLP

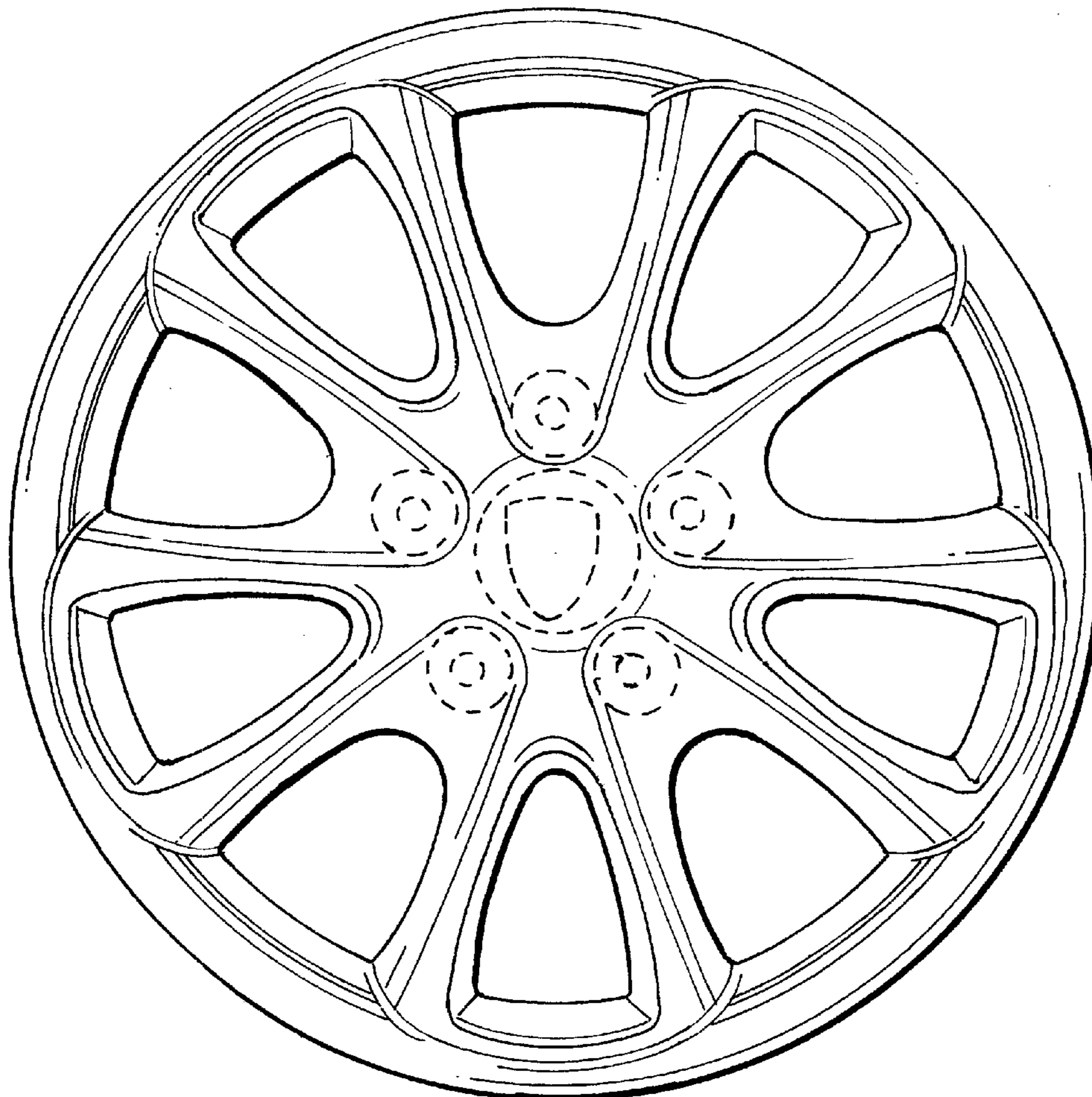
(57) **CLAIM**

The ornamental design for a front face of a vehicle wheel, as shown and described.

DESCRIPTION

FIG. 1 is a front view of a front face of a vehicle wheel according to my novel design; and, FIG. 2 is a perspective view of the front face of a vehicle wheel according to my novel design. The dash lines included depict environment and are not part of the claimed design.

1 Claim, 1 Drawing Sheet



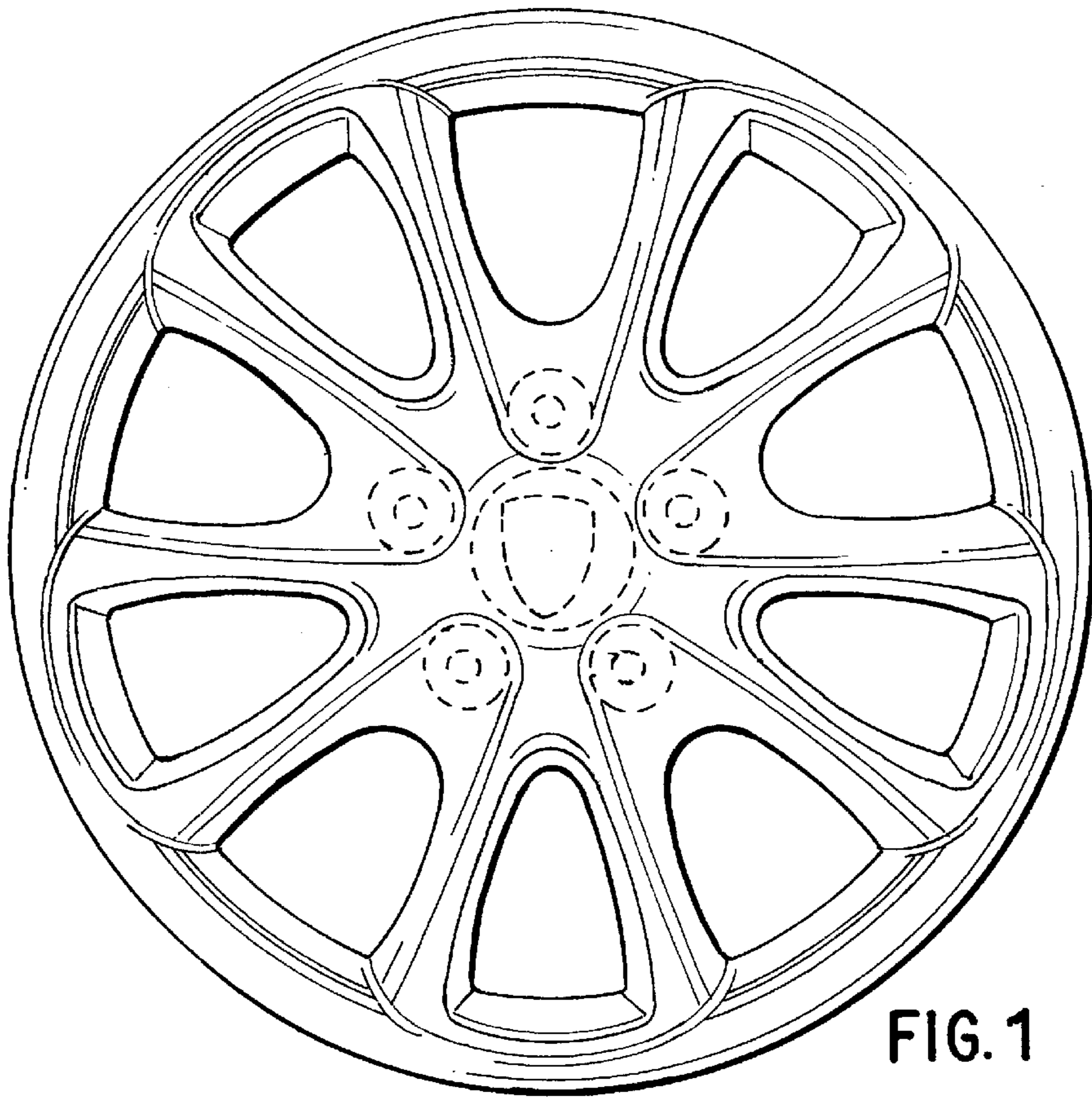


FIG. 1

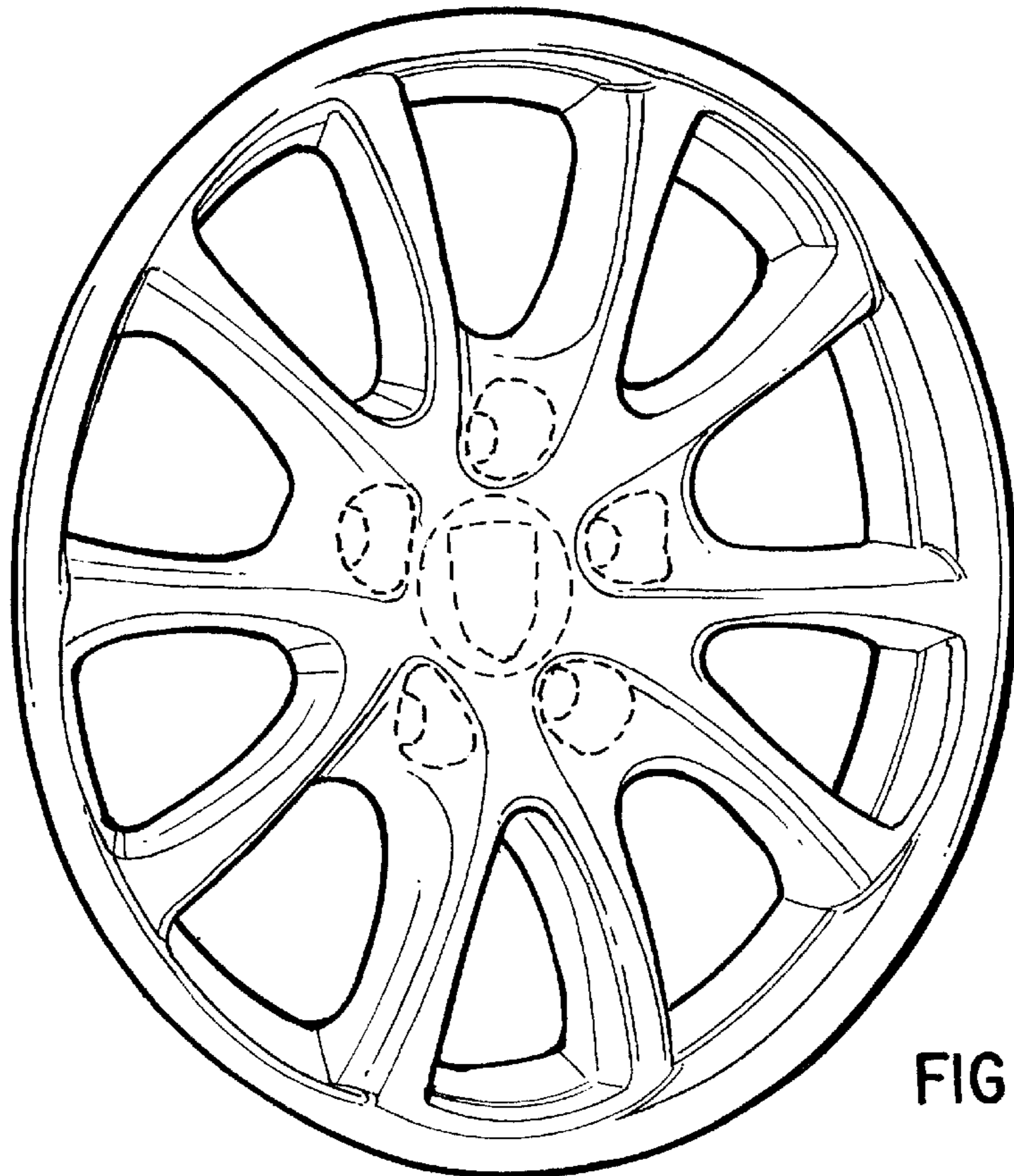


FIG. 2