



US00D486764S

(12) **United States Design Patent**
Tachibana

(10) **Patent No.:** **US D486,764 S**

(45) **Date of Patent:** **** Feb. 17, 2004**

(54) **FRONT GRILLE FOR AN AUTOMOBILE**

(75) Inventor: **Kunihiko Tachibana, Wako (JP)**

(73) Assignee: **Honda Giken Kogyo Kabushiki Kaisha, Tokyo (JP)**

(**) Term: **14 Years**

(21) Appl. No.: **29/177,310**

(22) Filed: **Mar. 10, 2003**

(30) **Foreign Application Priority Data**

Sep. 11, 2002 (JP) 2002-024762

(51) **LOC (7) Cl.** **12-16**

(52) **U.S. Cl.** **D12/163**

(58) **Field of Search** D12/163, 90-92;
180/86.1, 86.6; 296/194; 293/102, 115

(56) **References Cited**

U.S. PATENT DOCUMENTS

D448,329 S * 9/2001 Maeda et al. D12/163

D450,639 S * 11/2001 Nakamuta D12/163

D452,465 S * 12/2001 Sacco et al. D12/163

D452,837 S * 1/2002 Kitamura et al. D12/163

D460,390 S * 7/2002 Sinkwitz D12/163

D461,751 S * 8/2002 Suzuki D12/163

* cited by examiner

Primary Examiner—Melody N. Brown

(74) *Attorney, Agent, or Firm*—Sughrue Mion, PLLC

(57) **CLAIM**

The ornamental design for a front grille for an automobile, as shown and described.

DESCRIPTION

FIG. 1 is a perspective view of the front and right side of a front grille for an automobile showing my design;
FIG. 2 is a perspective view of the rear and left side thereof;
FIG. 3 is a front view thereof;
FIG. 4 is a rear view thereof;
FIG. 5 is a top view thereof;
FIG. 6 is a bottom view thereof; and,
FIG. 7 is a left side view thereof, the right side view being a mirror image thereof.

1 Claim, 7 Drawing Sheets

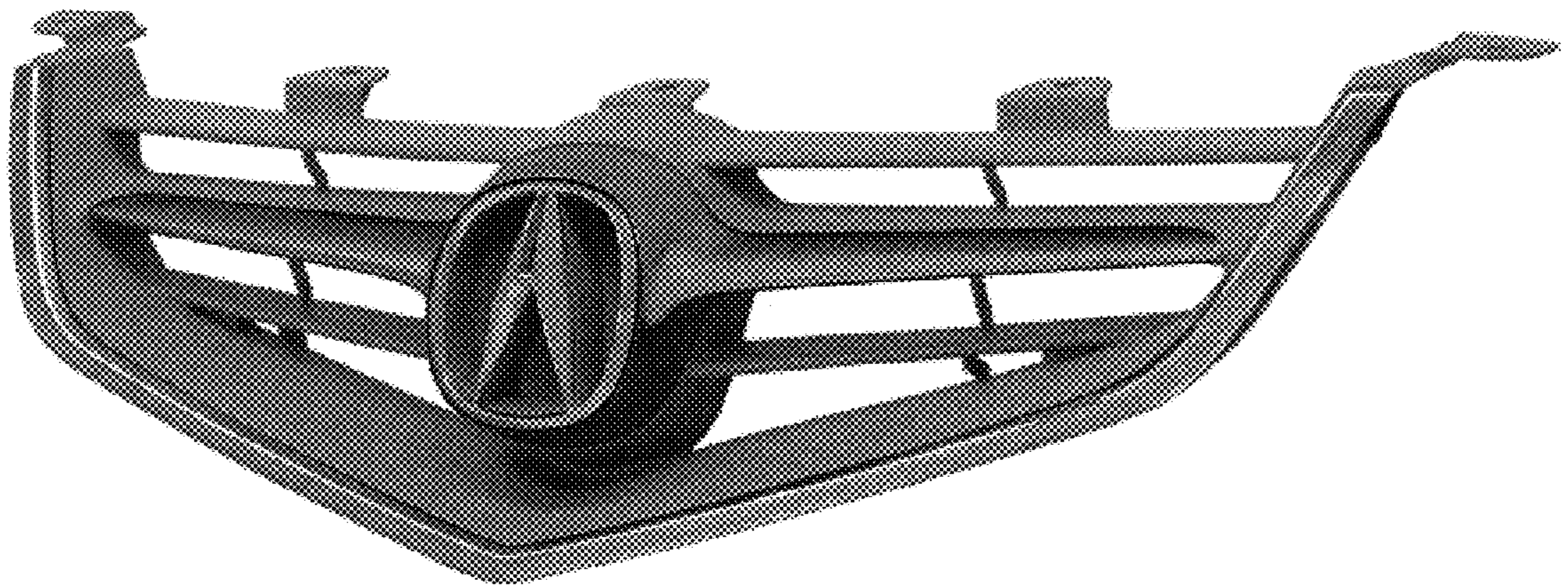


FIG. 1

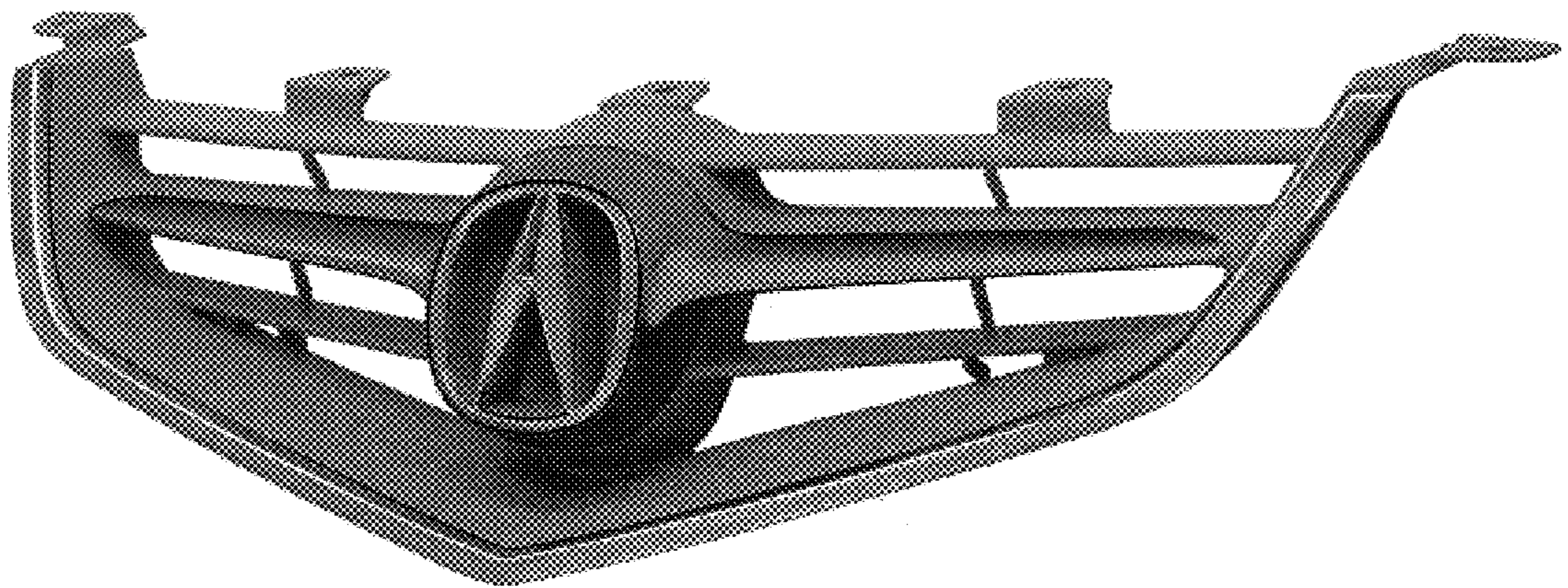


FIG. 2

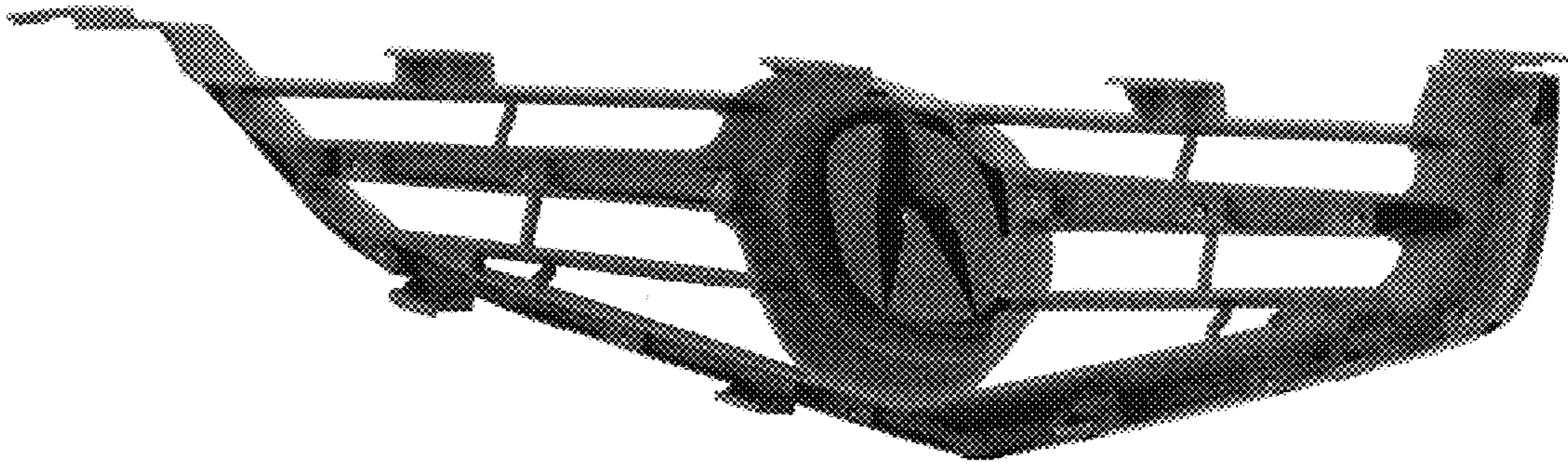


FIG. 3

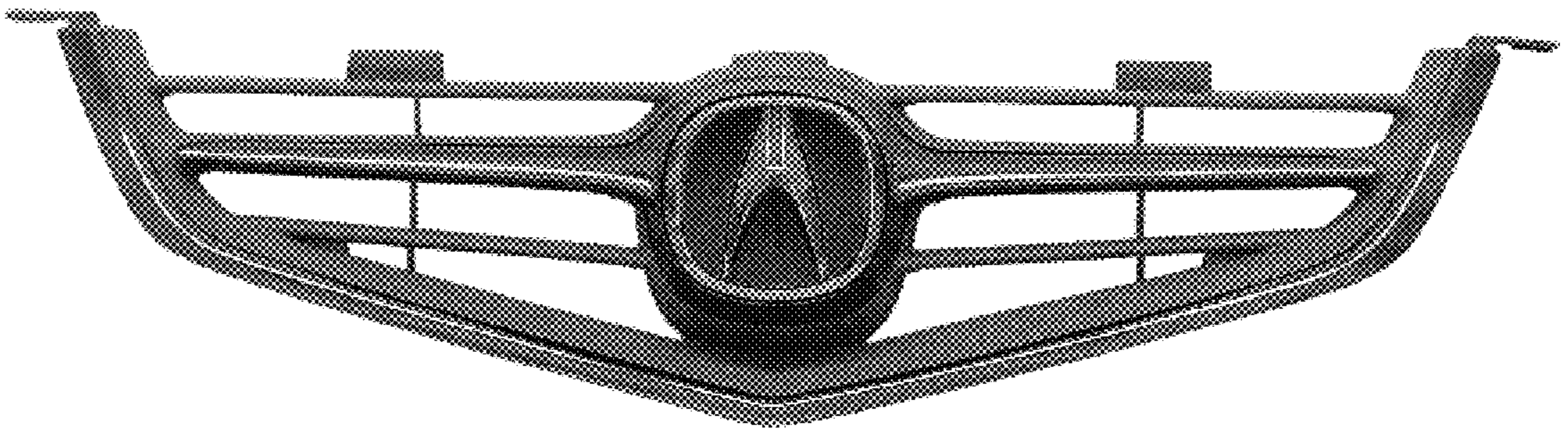


FIG. 4

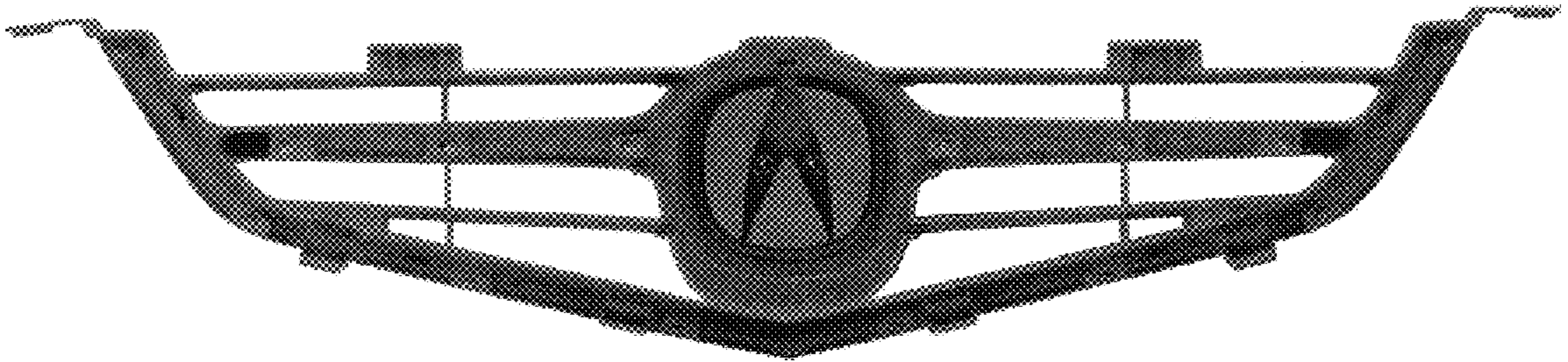


FIG. 5

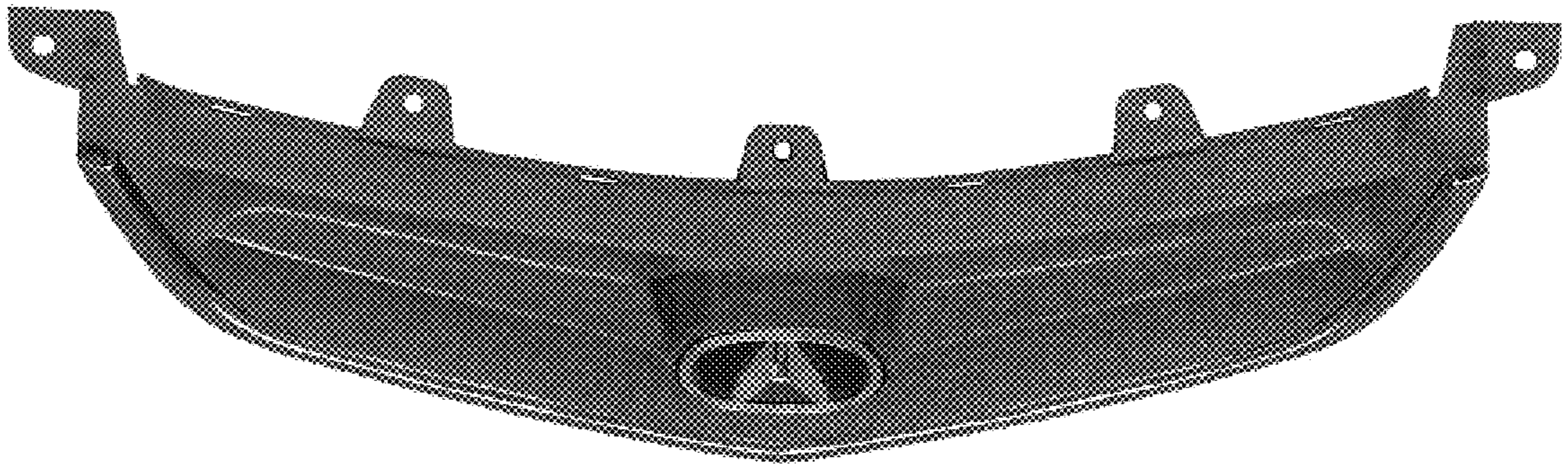


FIG. 6

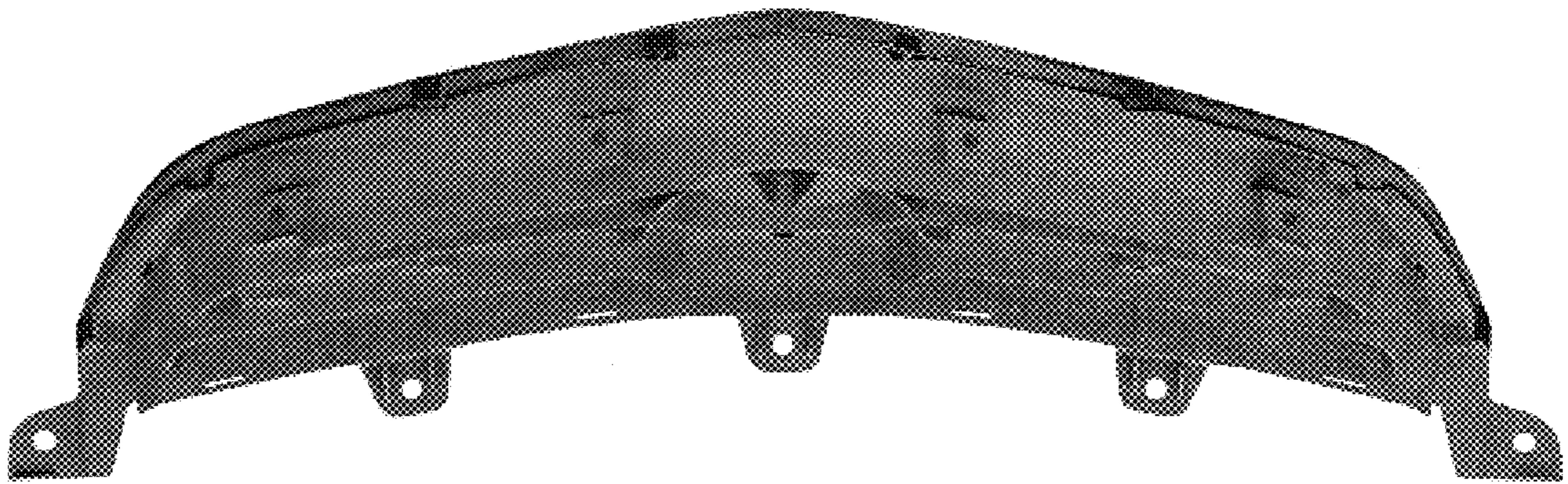


FIG. 7

