



US00D486757S

(12) **United States Design Patent**
Peterson

(10) **Patent No.:** **US D486,757 S**

(45) **Date of Patent:** **** Feb. 17, 2004**

(54) **INFLATABLE SNOW TUBE**
(75) Inventor: **Leroy L. Peterson**, Omaha, NE (US)
(73) Assignee: **Sportsstuff, Inc.**, Omaha, NE (US)
(**) Term: **14 Years**

5,471,690 A * 12/1995 McNeil 5/644
5,813,066 A * 9/1998 Gebhard et al. 5/655
D401,982 S * 12/1998 Peterson D21/803
D427,656 S * 7/2000 Peterson D21/803
D428,955 S * 8/2000 Peterson D21/801
D429,592 S * 8/2000 Dohan D6/604

* cited by examiner

(21) Appl. No.: **29/172,072**
(22) Filed: **Dec. 5, 2002**
(51) **LOC (7) Cl.** **12-14**
(52) **U.S. Cl.** **D12/11**
(58) **Field of Search** D12/6, 9-11; D21/805;
280/18, 21.1; D6/601; 441/129-132, 65-66

Primary Examiner—Nelson C. Holtje
(74) *Attorney, Agent, or Firm*—Sturm & Fix LLP

(57) **CLAIM**

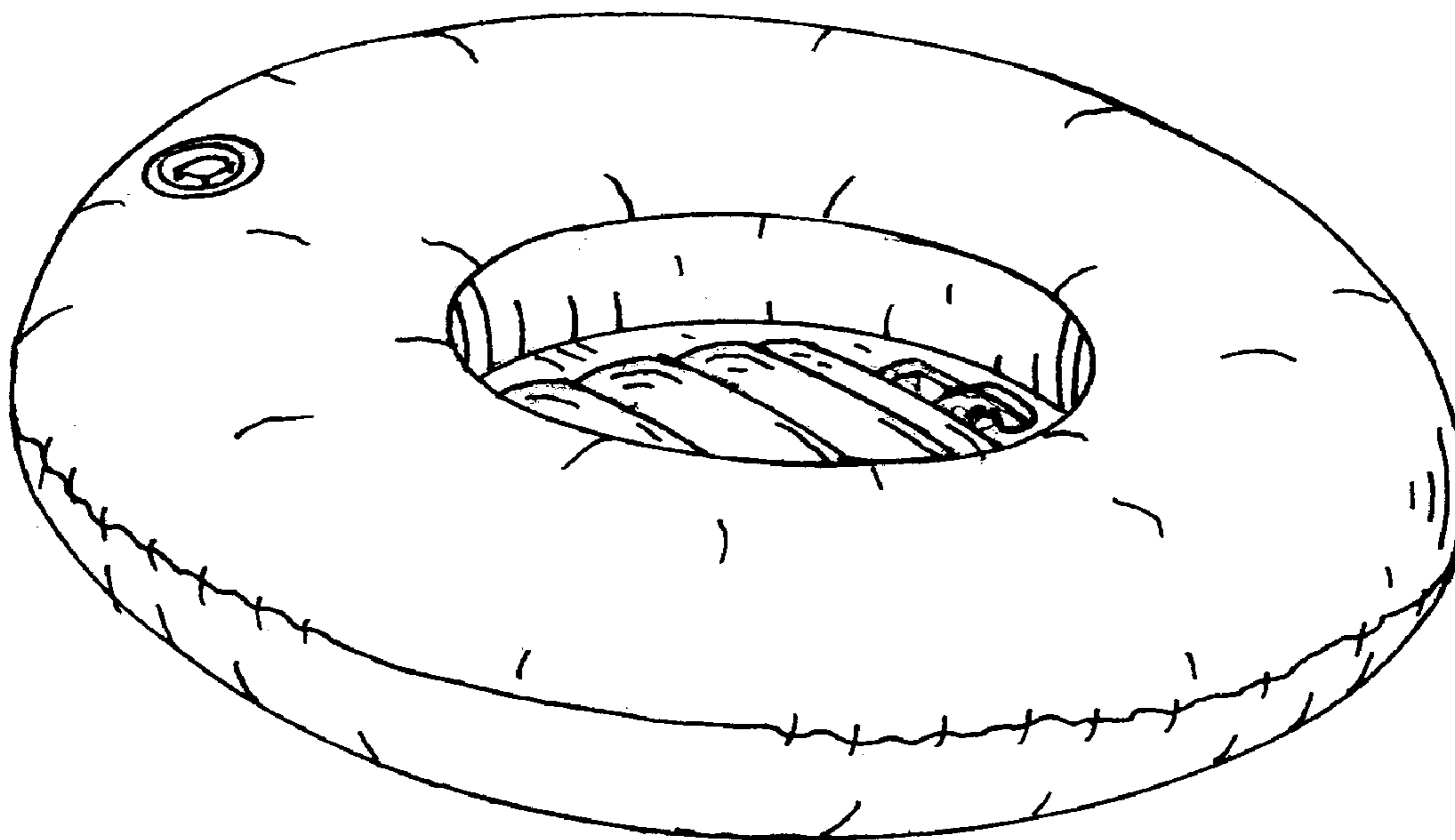
The ornamental design for an inflatable snow tube, as shown and described.

DESCRIPTION

FIG. 1 is a perspective view of the inflatable snow tube showing my new design;
FIG. 2 is a top plan view thereof;
FIG. 3 is a bottom plan view thereof;
FIG. 4 is a right side elevational view thereof;
FIG. 5 is a left side elevational view thereof;
FIG. 6 is a front elevational view thereof; and,
FIG. 7 is a rear elevational view thereof.

(56) **References Cited**
U.S. PATENT DOCUMENTS
1,960,474 A * 5/1934 Browne 441/129
2,216,818 A * 10/1940 Kuhlman 297/461
2,552,476 A * 5/1951 Barton D6/601
D224,127 S * 7/1972 Frank D12/11
D230,454 S * 2/1974 Thompson D6/604
3,848,281 A * 11/1974 Mathews 5/636
4,552,539 A * 11/1985 Hoenstine et al. 441/66

1 Claim, 2 Drawing Sheets



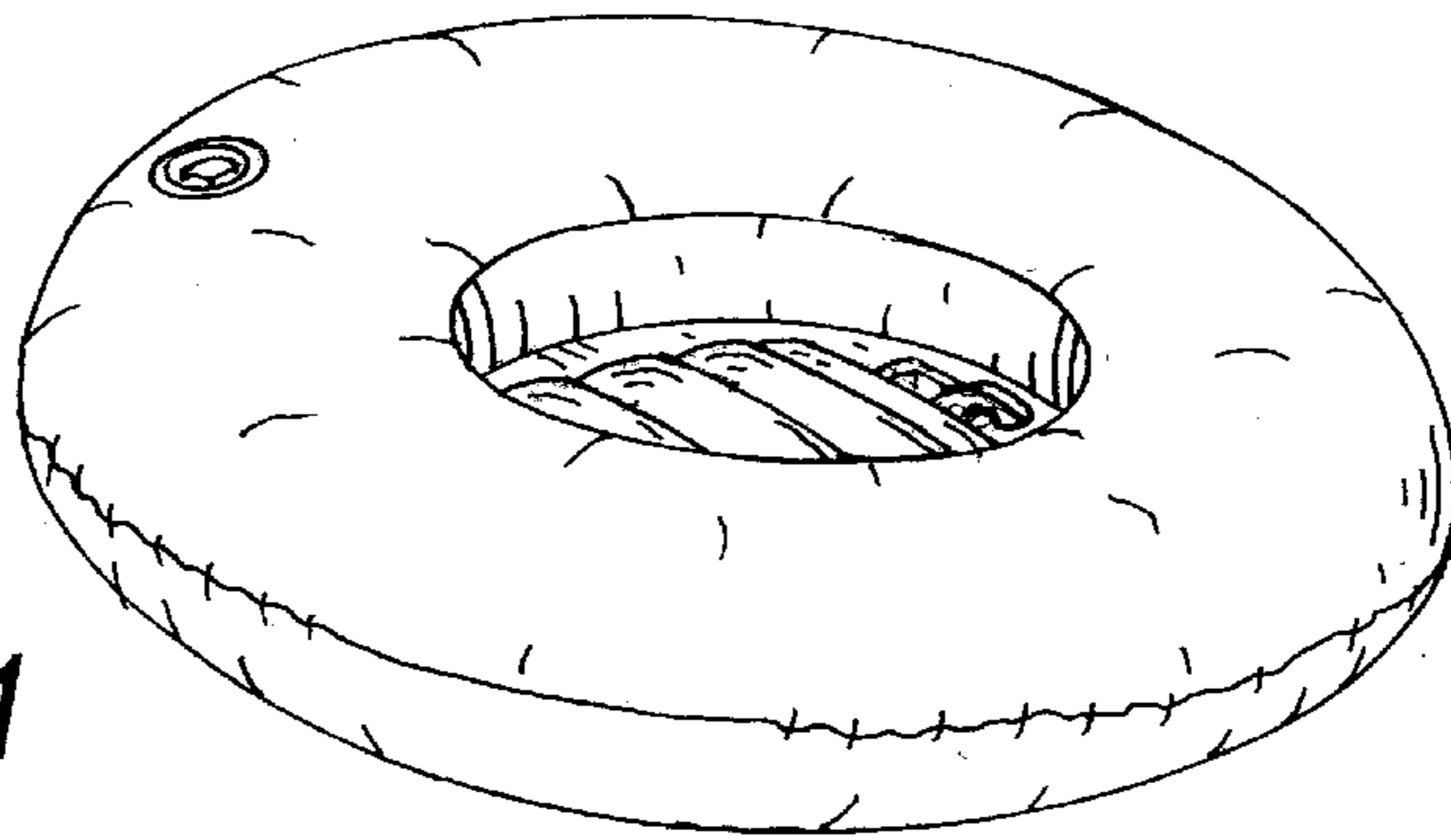


Fig. 1

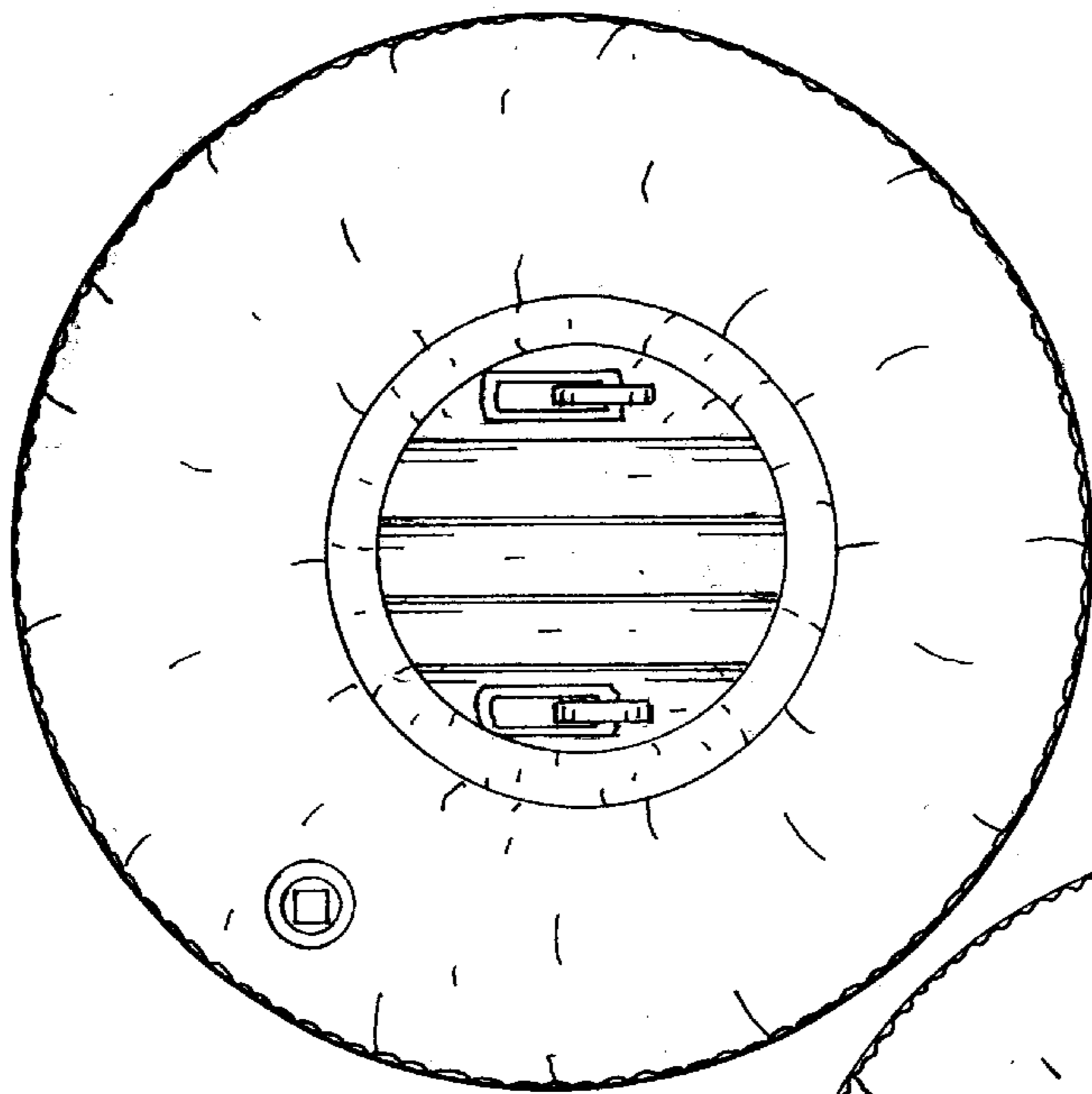


Fig. 2

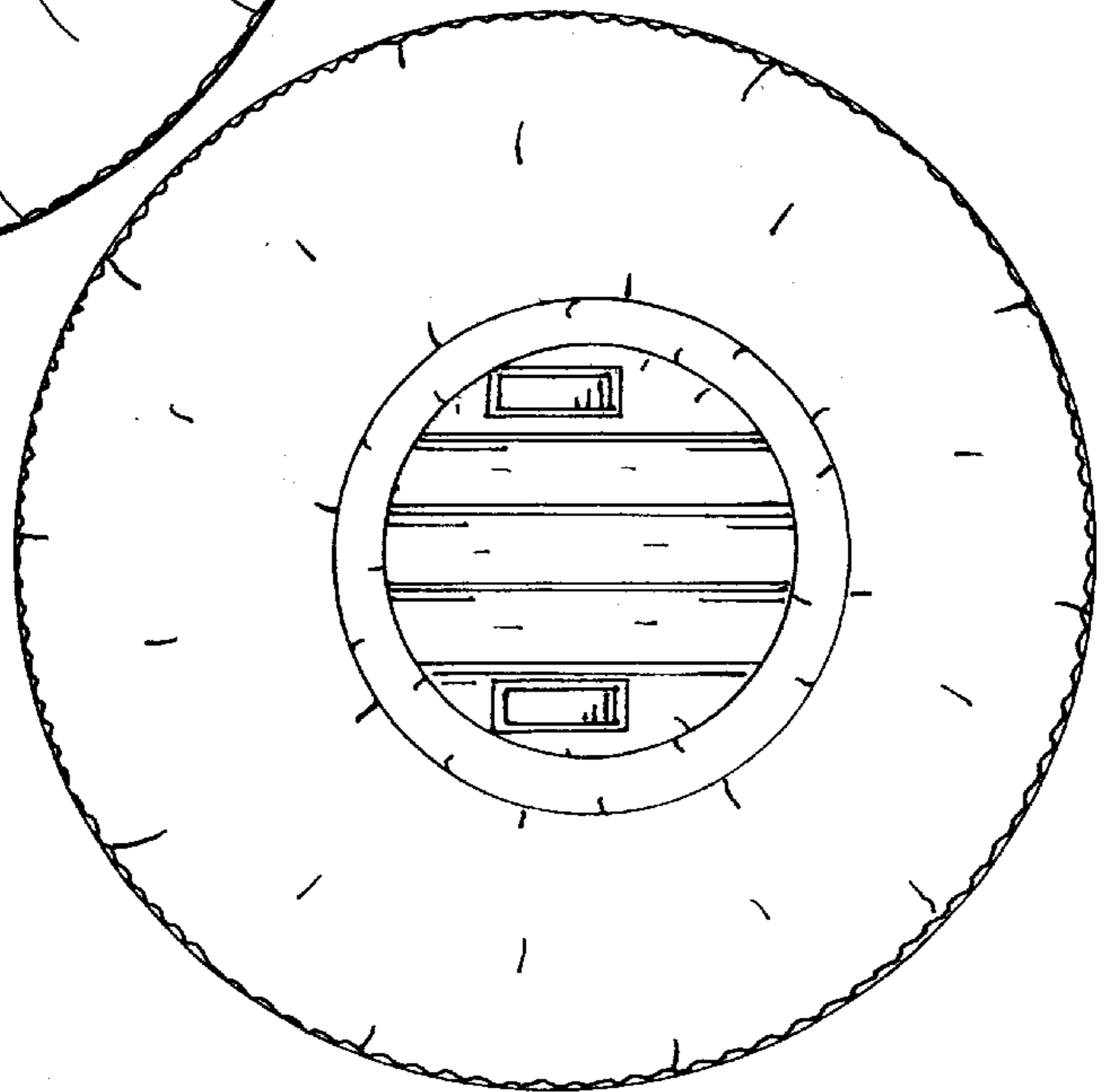


Fig. 3

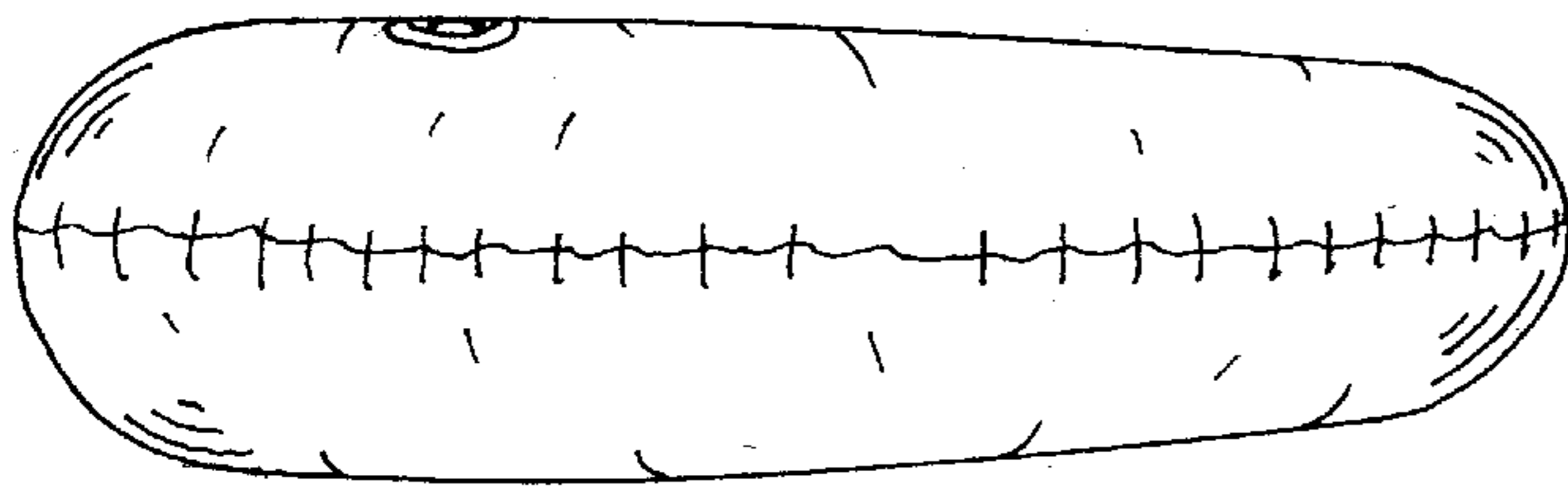


Fig. 4

Fig. 5

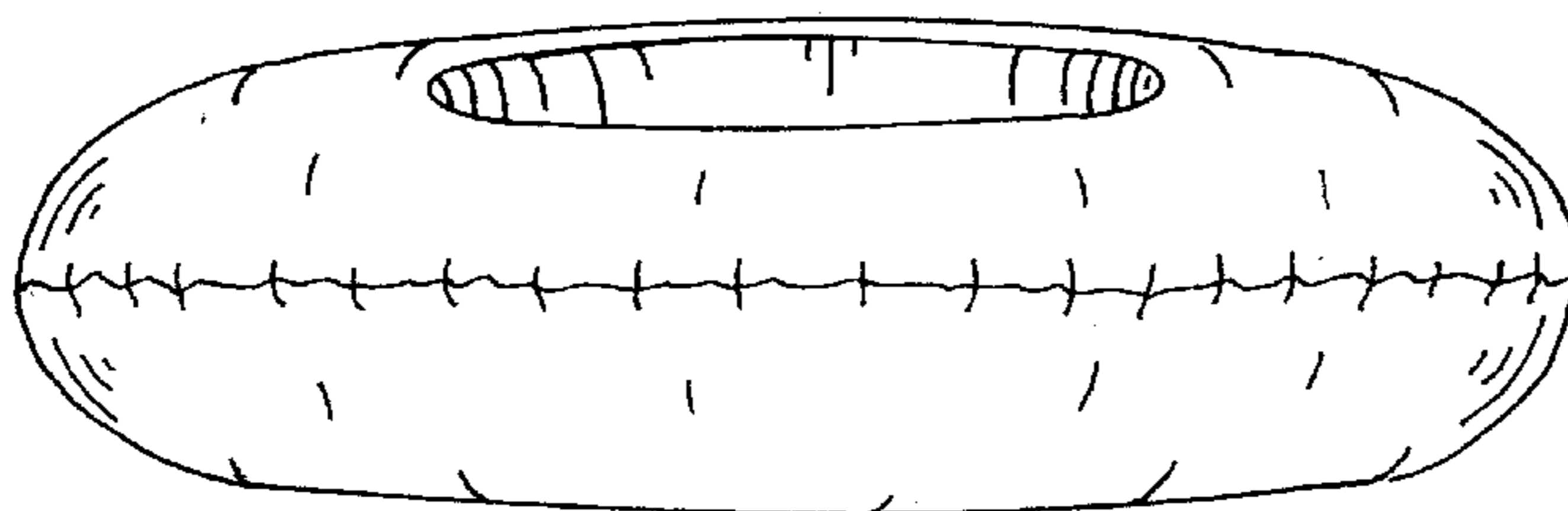
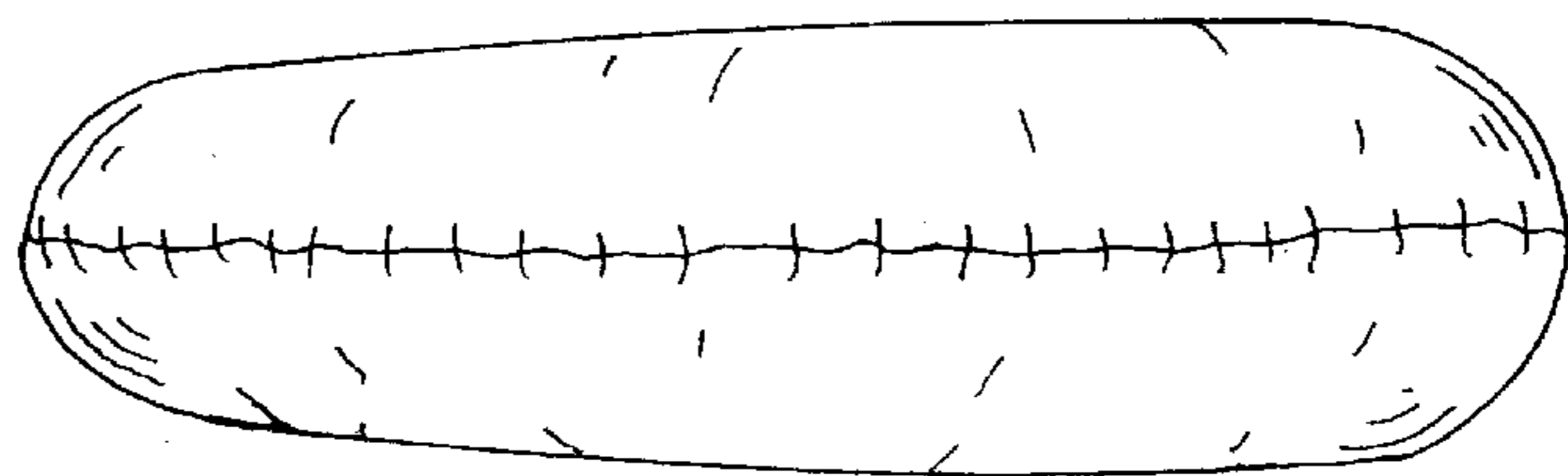


Fig. 6

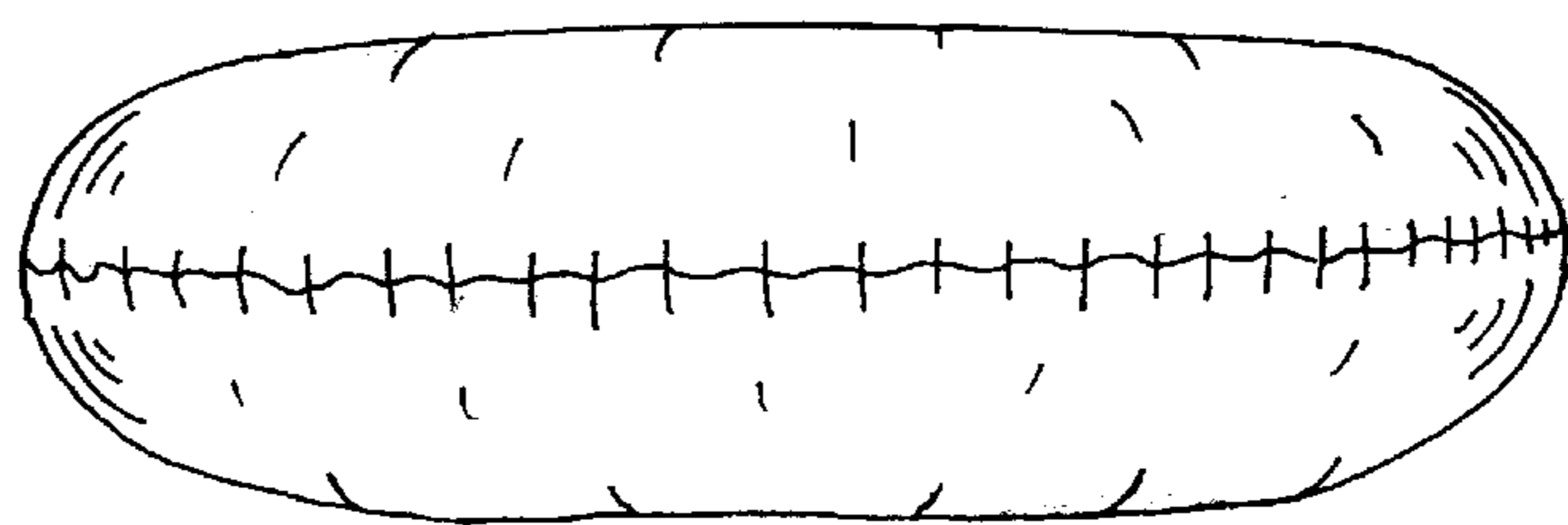


Fig. 7