



US00D486756S

(12) **United States Design Patent**  
**Mondigo et al.**

(10) **Patent No.:** **US D486,756 S**

(45) **Date of Patent:** **\*\* Feb. 17, 2004**

(54) **LITTER PICK-UP MACHINE**

6,148,595 A \* 11/2000 Rabe et al. .... 56/320.2  
D439,586 S \* 3/2001 Moehle et al. .... D15/33

(75) Inventors: **Jesse V. Mondigo**, Aurora, IL (US);  
**Robert C. Schwerdlin**, Bolingbrook, IL (US)

\* cited by examiner

*Primary Examiner*—Cynthia E. Ramirez  
(74) *Attorney, Agent, or Firm*—Emrich & Dithmar

(73) Assignee: **Minuteman International, Inc.**,  
Addison, IL (US)

(57) **CLAIM**

(\*\*) Term: **14 Years**

The ornamental design for a litter pick-up machine, as shown and described in the drawing.

(21) Appl. No.: **29/153,331**

**DESCRIPTION**

(22) Filed: **Jan. 4, 2002**

(51) **LOC (7) Cl.** ..... **12-14**

(52) **U.S. Cl.** ..... **D12/1**

(58) **Field of Search** ..... 414/406, 408;  
100/100; 296/183; D12/1, 14, 15; D34/1,  
3, 34; D15/30, 33, 123, 140; 56/202

FIG. 1 is a right side view of a litter pick-up machine incorporating the inventive design;  
FIG. 2 is a left side view of the machine incorporating the inventive design;  
FIG. 3 is a top view of the machine incorporating the inventive design;  
FIG. 4 is a front view of the machine incorporating the inventive design;  
FIG. 5 is a rear view of the machine incorporating the inventive design;  
FIG. 6 is bottom view of the machine incorporating the inventive design;  
FIG. 7 is a right, frontal perspective view of the machine incorporating the inventive design; and,  
FIG. 8 is a left, rear perspective view of the machine incorporating the inventive design.

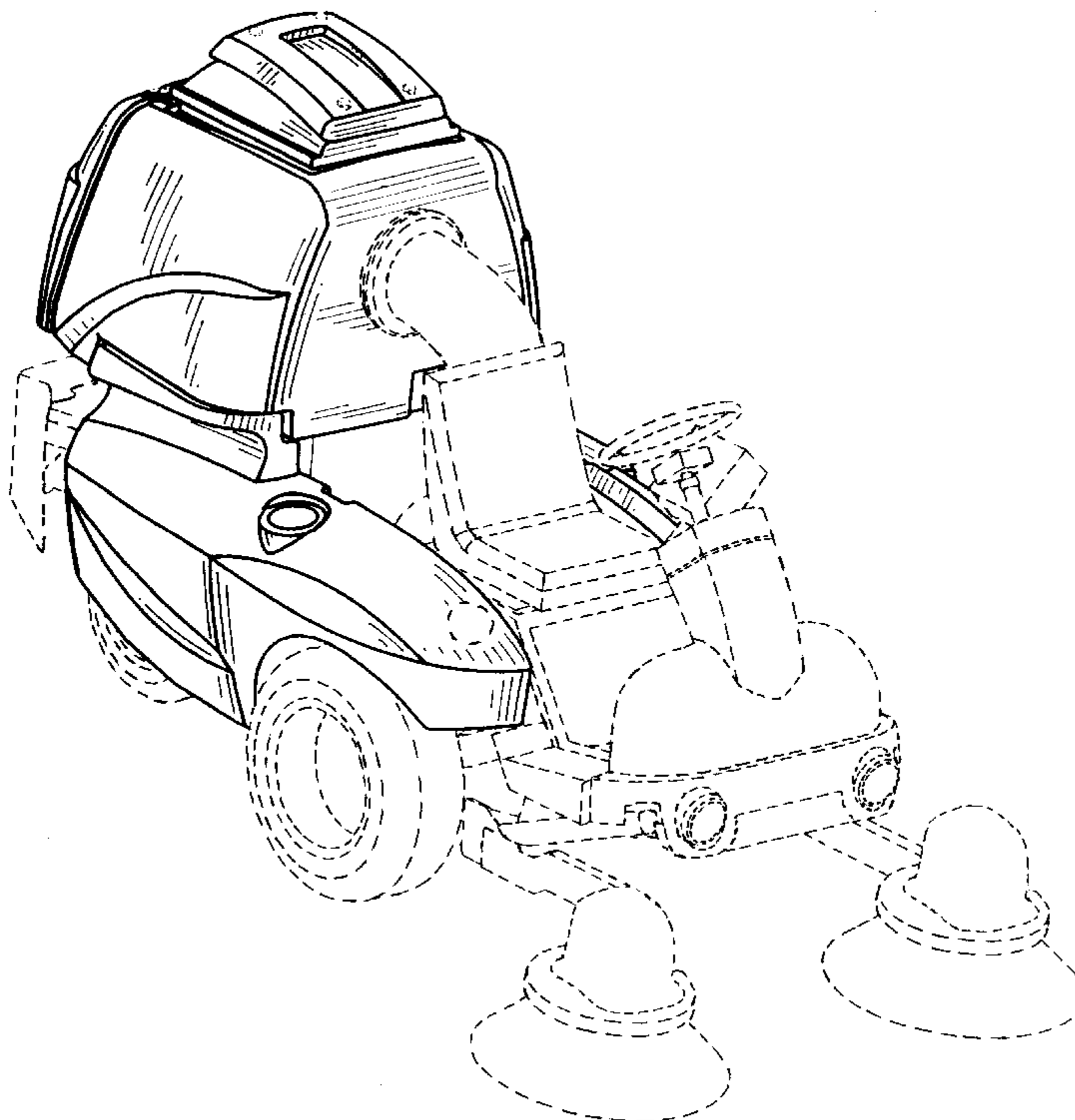
(56) **References Cited**

**U.S. PATENT DOCUMENTS**

3,809,267	A	*	5/1974	Knight	.....	414/492
4,168,600	A	*	9/1979	Klug et al.	.....	56/202
D257,766	S	*	1/1981	Smith	.....	D12/15
4,708,570	A	*	11/1987	Smith et al.	.....	414/408
5,036,650	A	*	8/1991	Tesch et al.	.....	56/16.6
5,138,825	A	*	8/1992	Trefz et al.	.....	56/11.1
D349,265	S	*	8/1994	Patton	.....	D12/14
D370,875	S	*	6/1996	McNeilus	.....	D12/15
5,546,738	A	*	8/1996	Turner	.....	56/202
D397,121	S	*	8/1998	Smith	.....	D15/15
D428,425	S	*	7/2000	Ratcliffe	.....	D15/23

In the drawing, broken, dashed or phantom lines represent elements of the machine which form no part of the inventive Design.

**1 Claim, 8 Drawing Sheets**



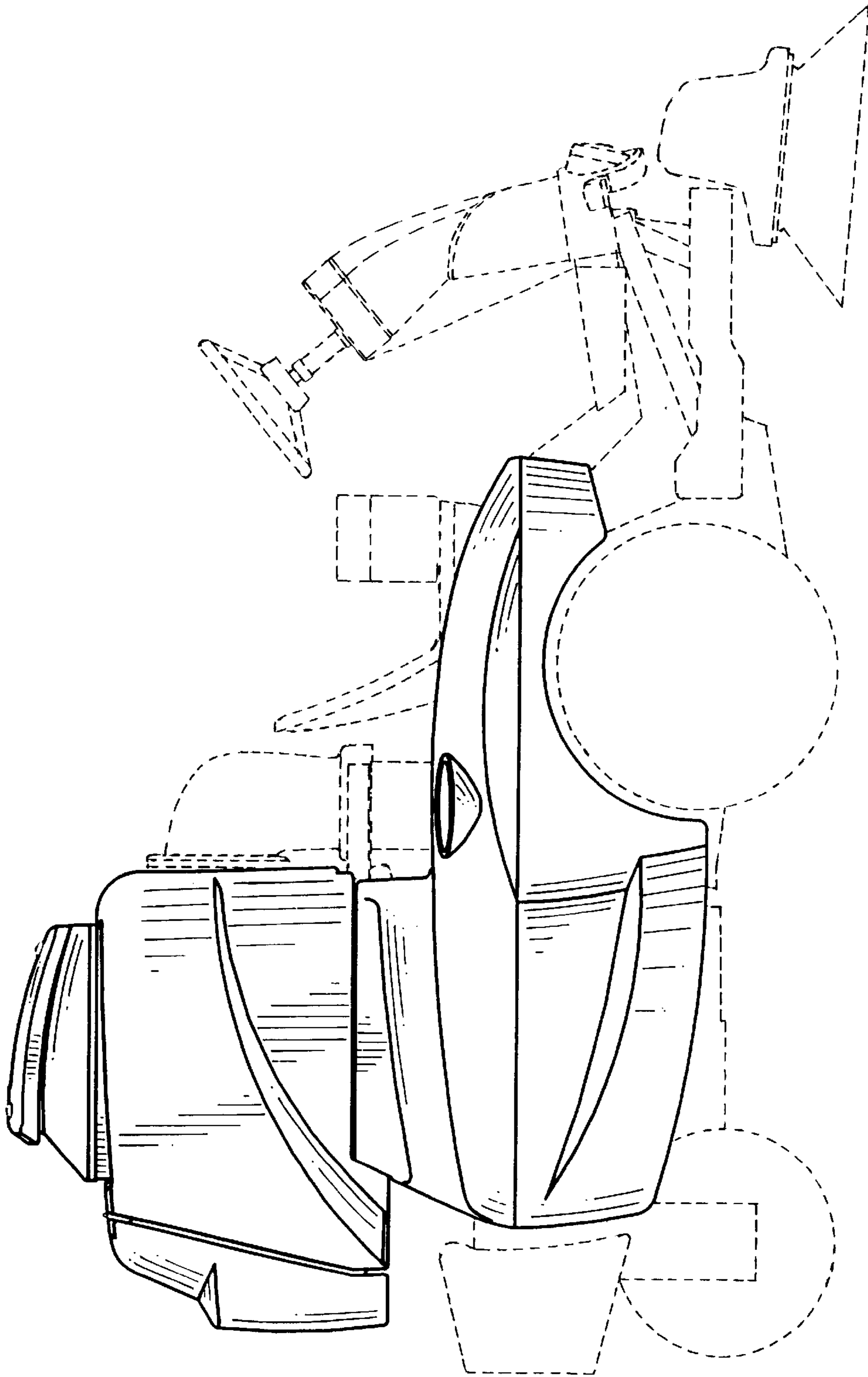


FIG. 1

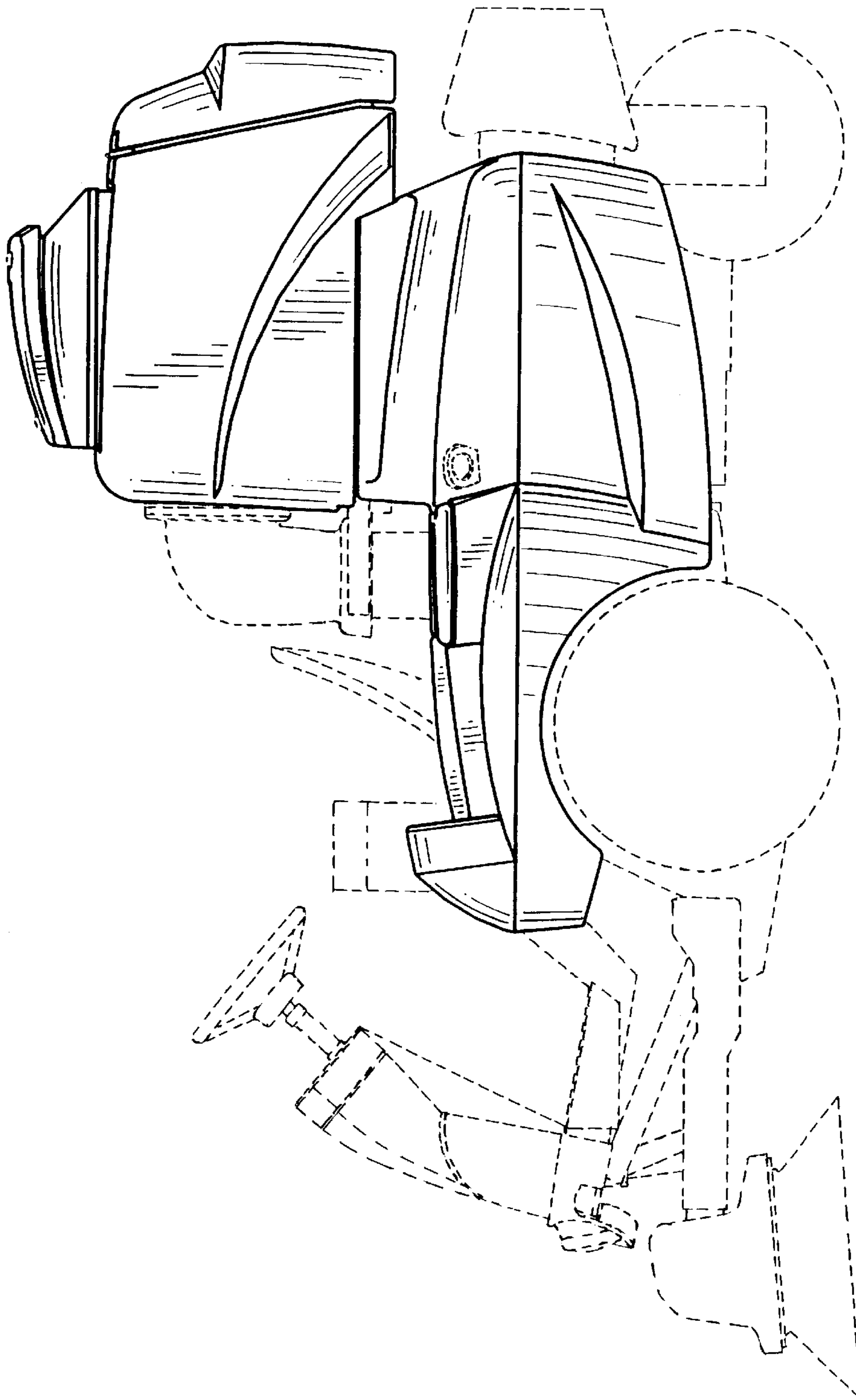


FIG. 2

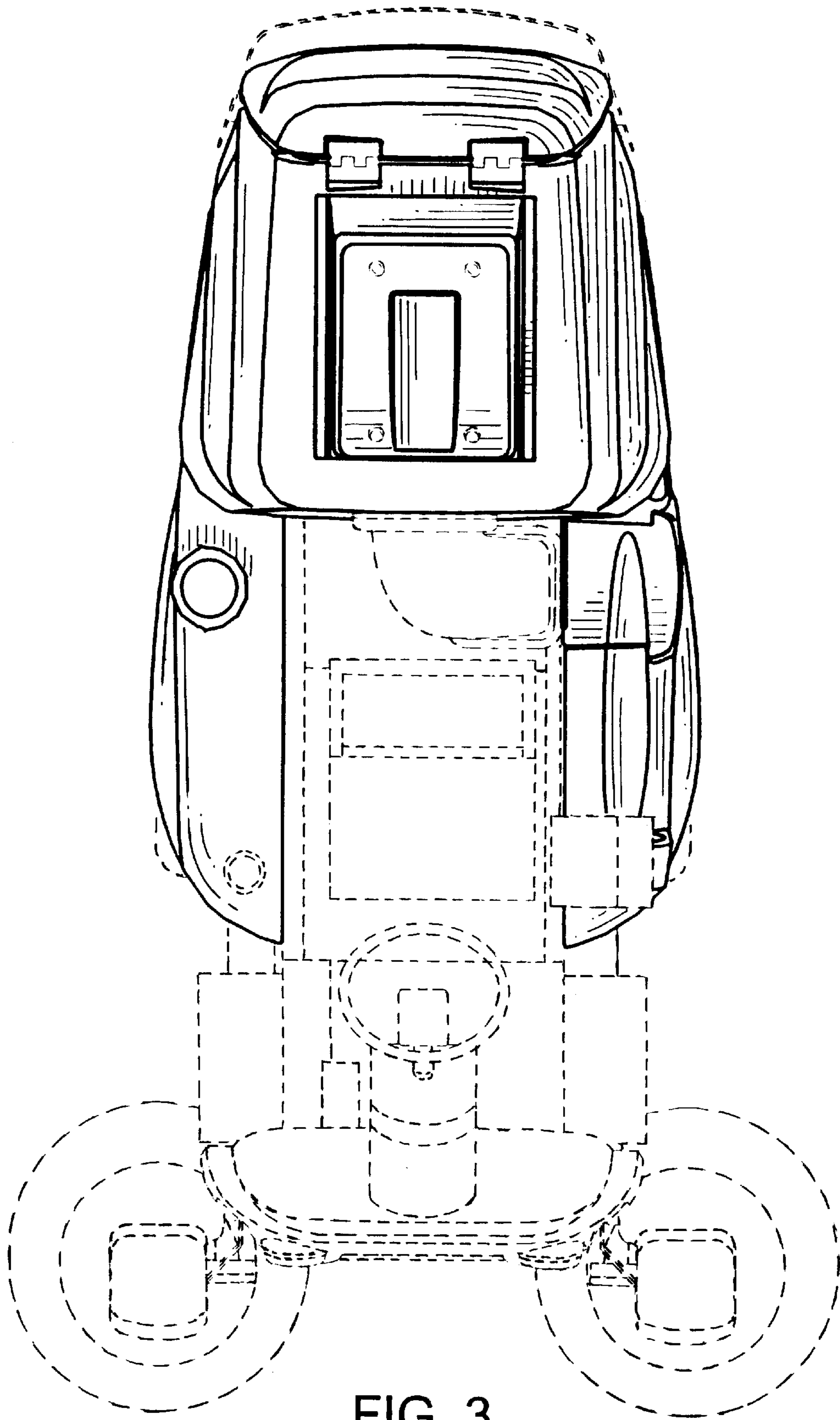


FIG. 3

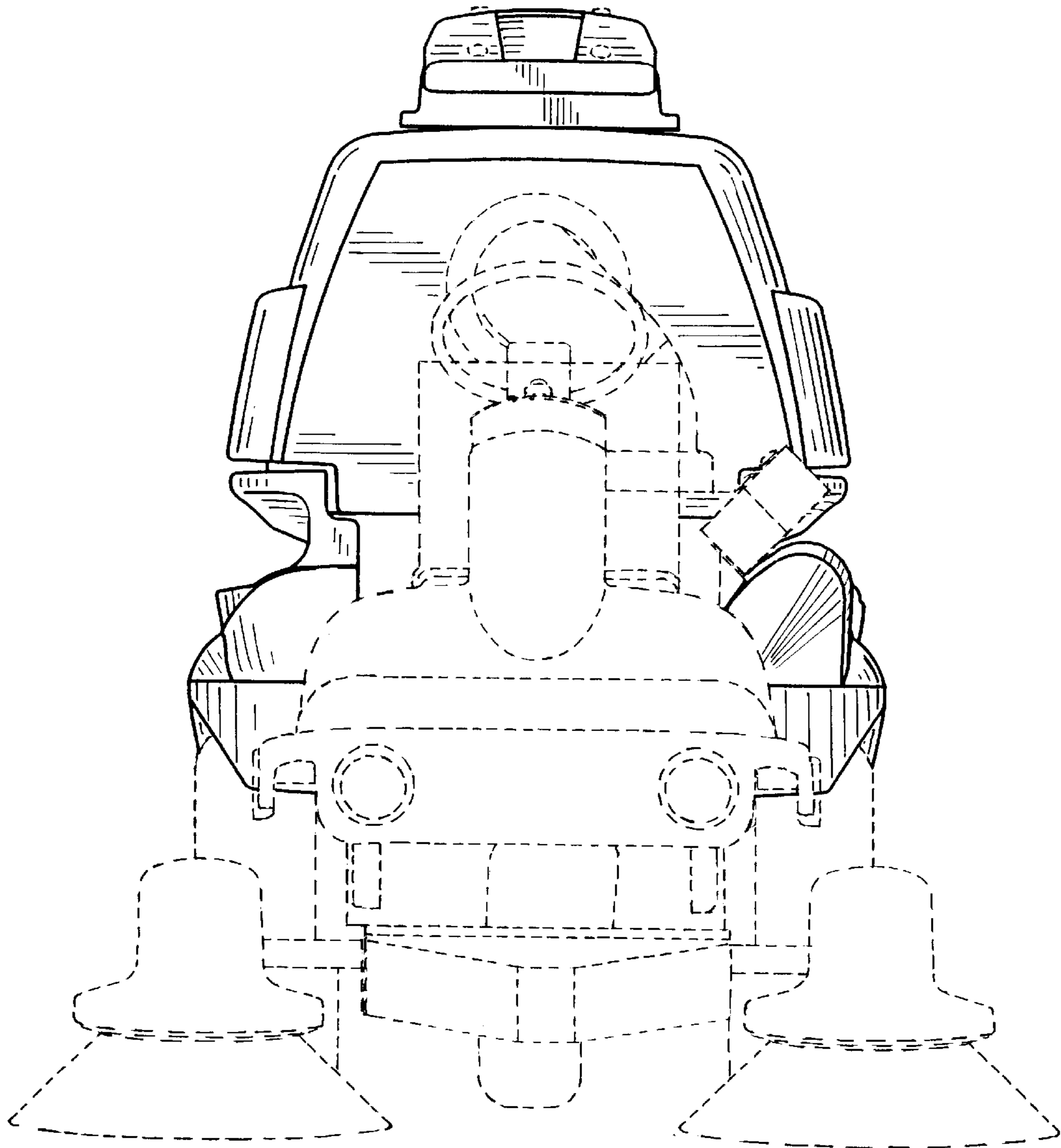


FIG. 4



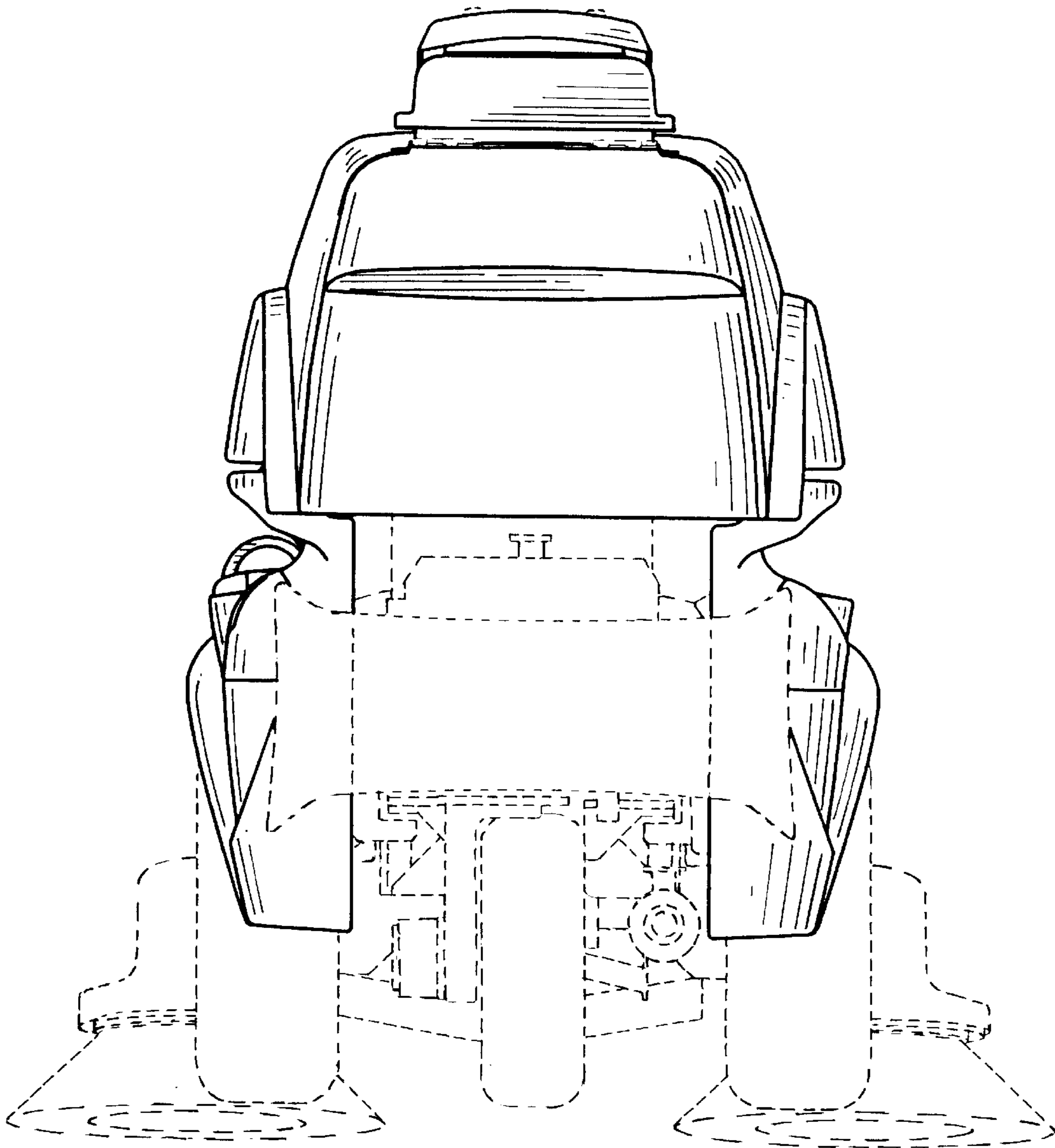


FIG. 5

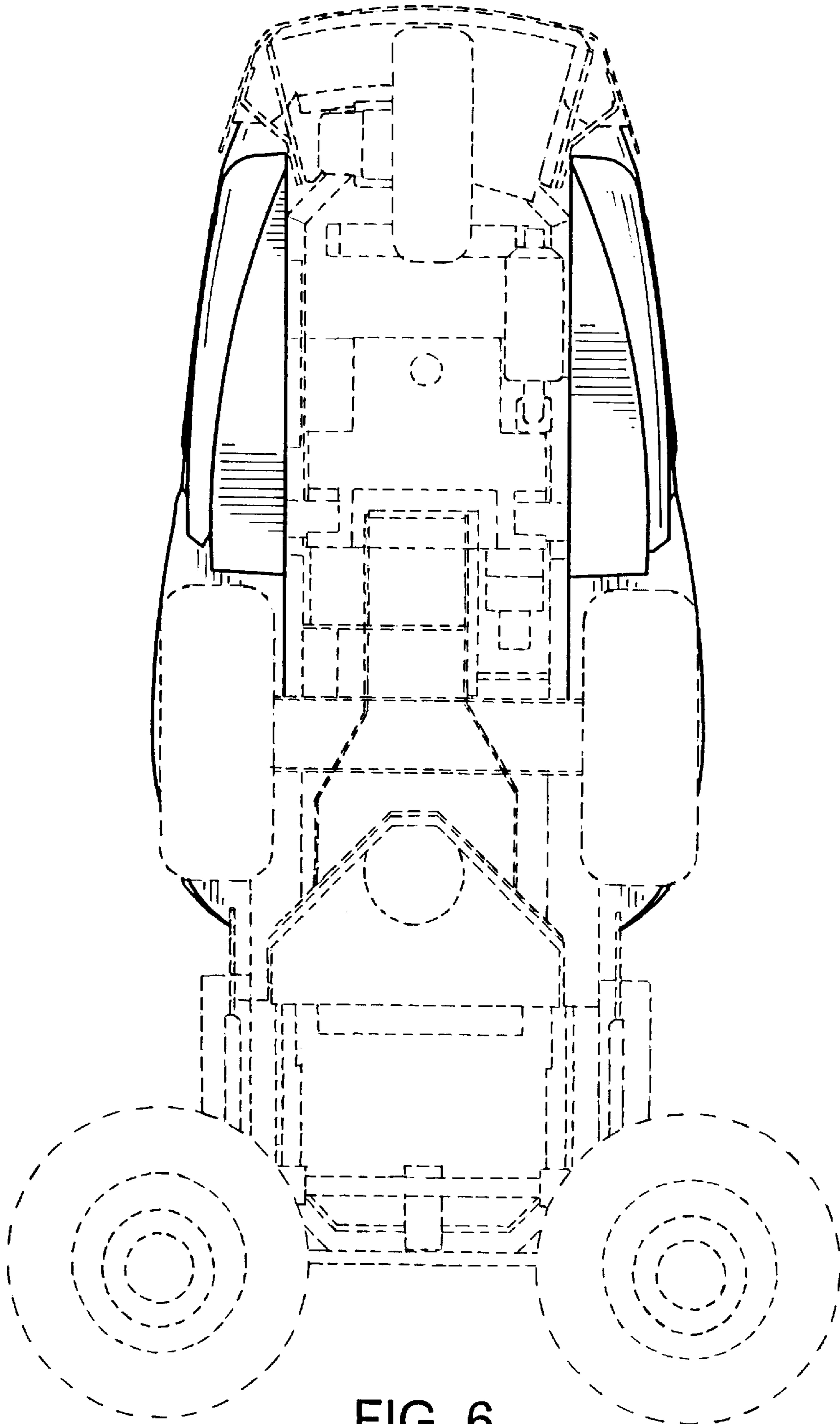


FIG. 6

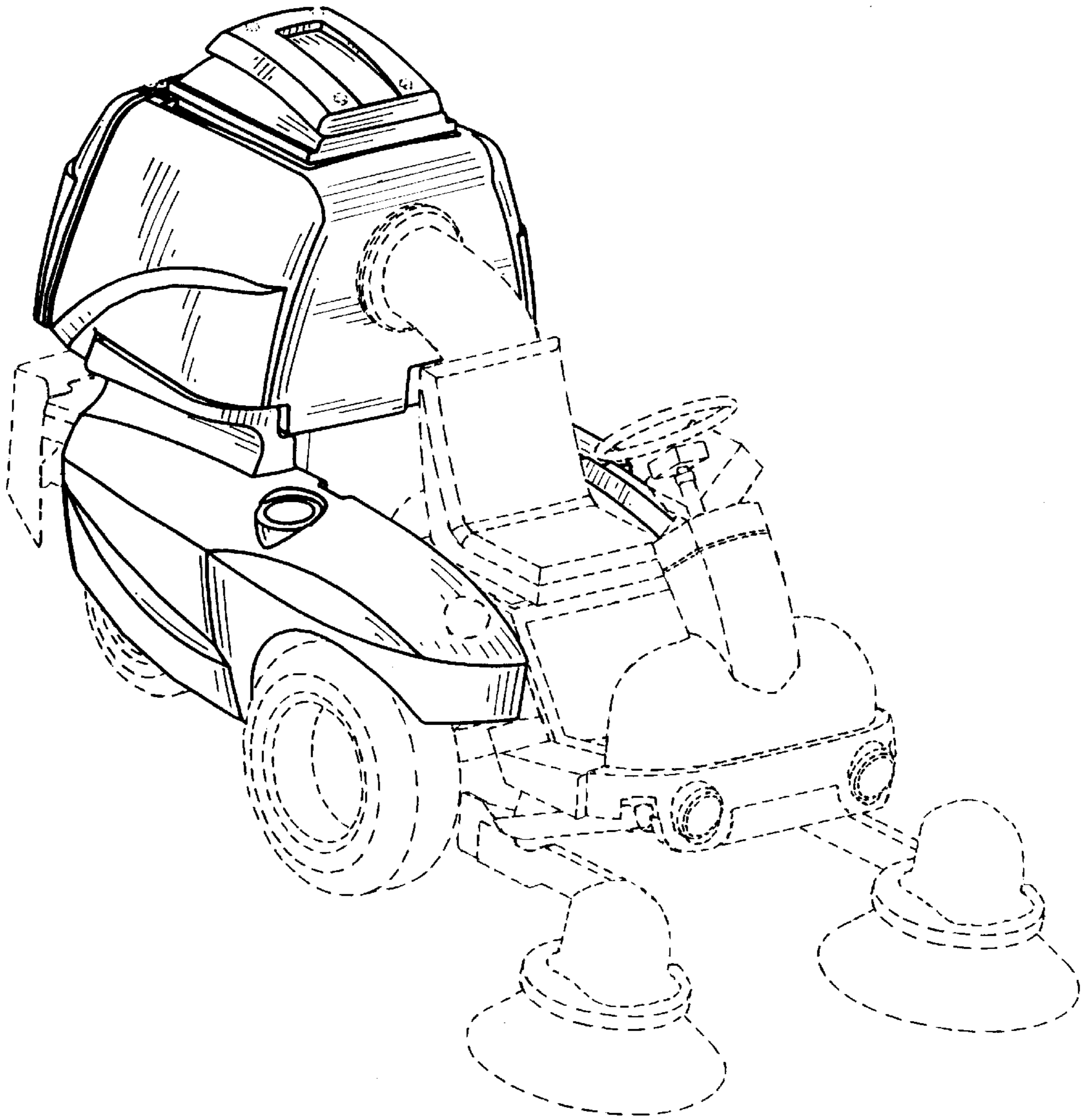


FIG. 7



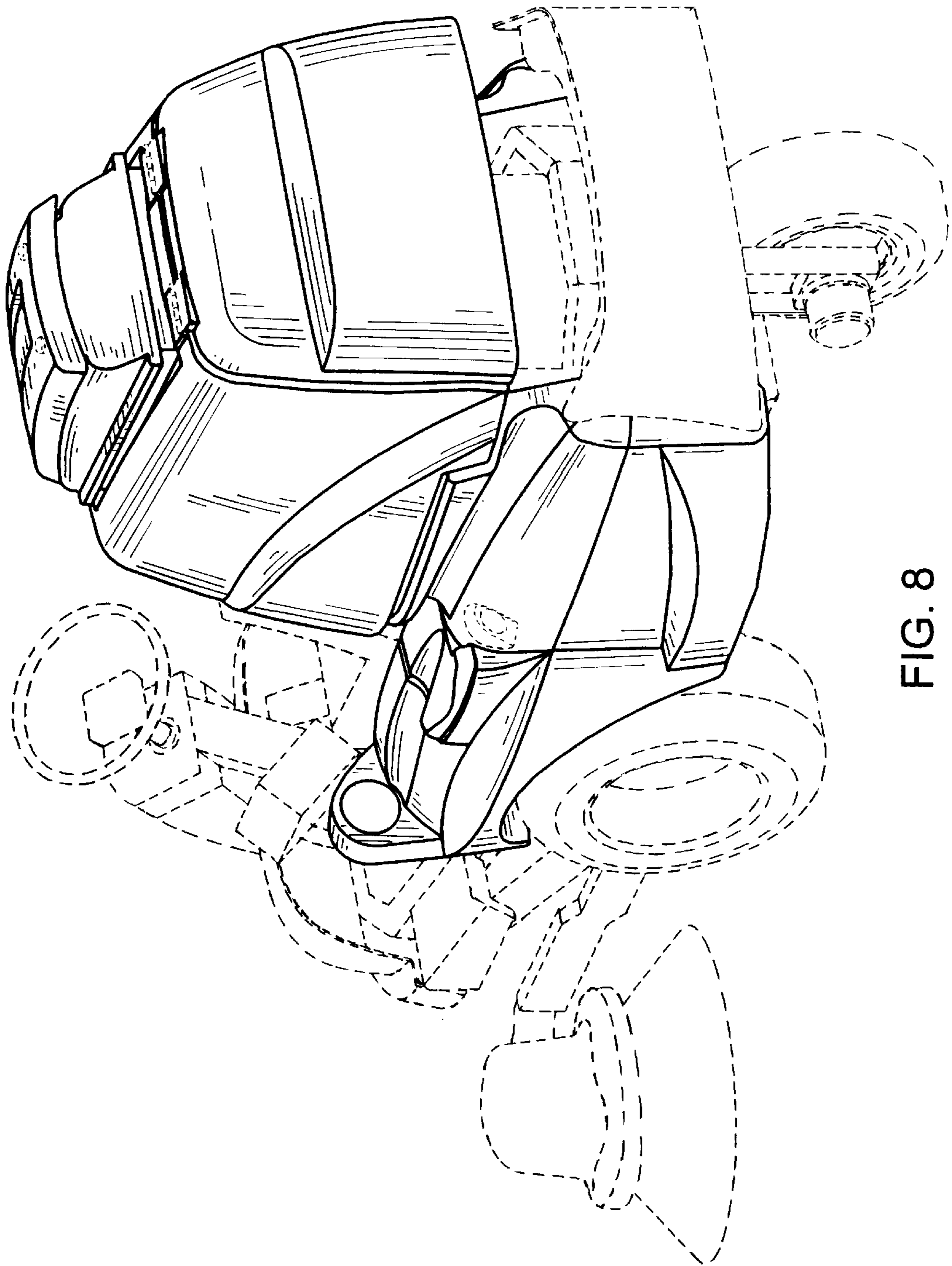


FIG. 8