



US00D486736S

(12) **United States Design Patent**
Kokubo

(10) **Patent No.:** **US D486,736 S**

(45) **Date of Patent:** **** Feb. 17, 2004**

(54) **NOZZLE FOR CONTAINER**

(75) Inventor: **Shigehiko Kokubo**, Osaka (JP)

(73) Assignee: **Rohto Pharmaceutical Co., Ltd.**,
Osaka (JP)

(**) Term: **14 Years**

(21) Appl. No.: **29/177,103**

(22) Filed: **Mar. 4, 2003**

(30) **Foreign Application Priority Data**

Sep. 11, 2002	(JP)	2002-024709
Sep. 11, 2002	(JP)	2002-024710
Sep. 11, 2002	(JP)	2002-024711
Sep. 11, 2002	(JP)	2002-024712
Sep. 11, 2002	(JP)	2002-024713

(51) **LOC (7) Cl.** **09-07**

(52) **U.S. Cl.** **D9/449; D9/447**

(58) **Field of Search** D9/544, 523, 447,
D9/449, 516; D7/510, 511; D27/190; 222/525,
562, 565, 568, 183

(56) **References Cited**

U.S. PATENT DOCUMENTS

D68,835	S	*	11/1925	Sherman	D27/190
1,909,802	A	*	5/1933	Bass	222/183
D99,615	S	*	5/1936	Werner	D9/447

D102,857	S	*	1/1937	Peters	D9/447
D183,662	S	*	9/1958	Libit	D9/447
3,107,829	A	*	10/1963	Makowski	222/525
D198,598	S	*	7/1964	Milenkevitch	D9/447
D199,547	S	*	11/1964	Russo	D9/447
D200,023	S	*	1/1965	Porter	D9/449
D205,425	S	*	8/1966	Porter et al.	D9/447
4,606,481	A	*	8/1986	Conti et al.	222/562
D399,391	S	*	10/1998	Malvasi et al.	D7/510

* cited by examiner

Primary Examiner—Louis S. Zarfes

Assistant Examiner—Gregory Andoll

(74) *Attorney, Agent, or Firm*—Jordan and Hamburg LLP

(57) **CLAIM**

The ornamental design for a nozzle for container, as shown and described.

DESCRIPTION

FIG. 1 is a front perspective view of a nozzle for container; FIG. 2 is a front view thereof, the opposite side being a mirror image of the side shown herein; FIG. 3 is a left side view thereof, the opposite side being a mirror image of the side shown herein; FIG. 4 is a top view thereof; and, FIG. 5 is a bottom view thereof.

The portion shown by broken lines is for illustrative purposes only and forms no part of the claimed design.

1 Claim, 3 Drawing Sheets

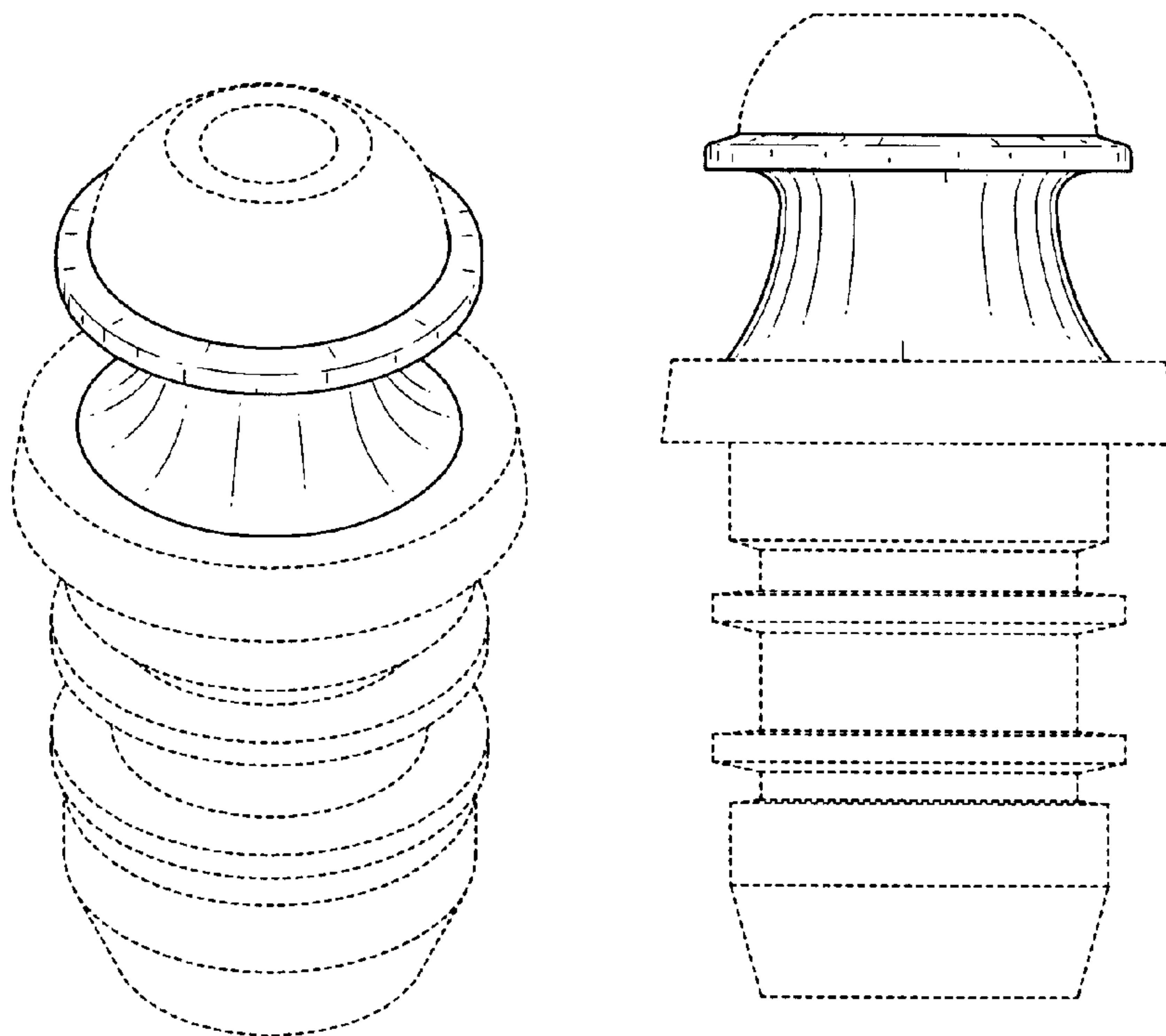


Fig. 1

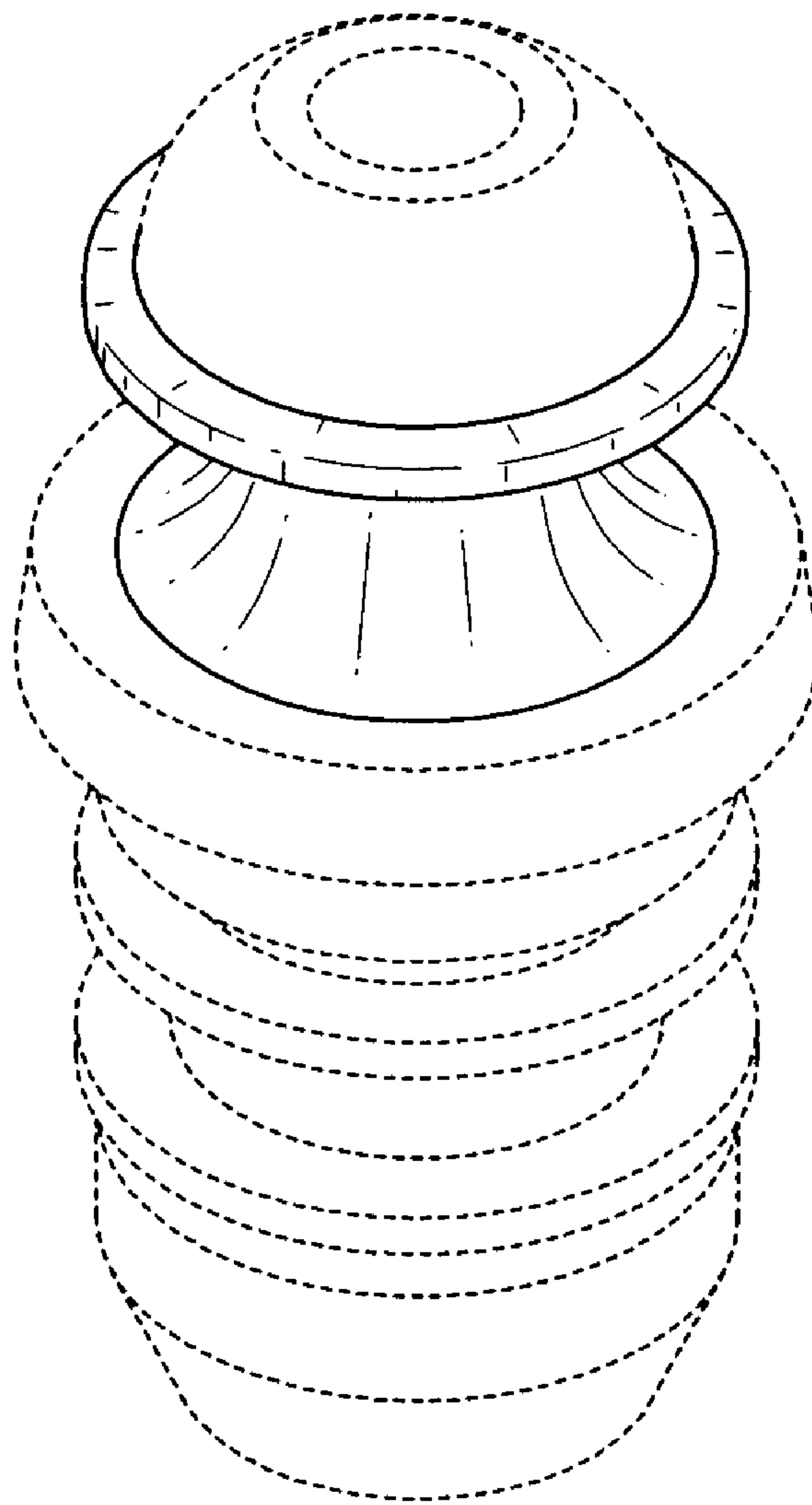


Fig. 2

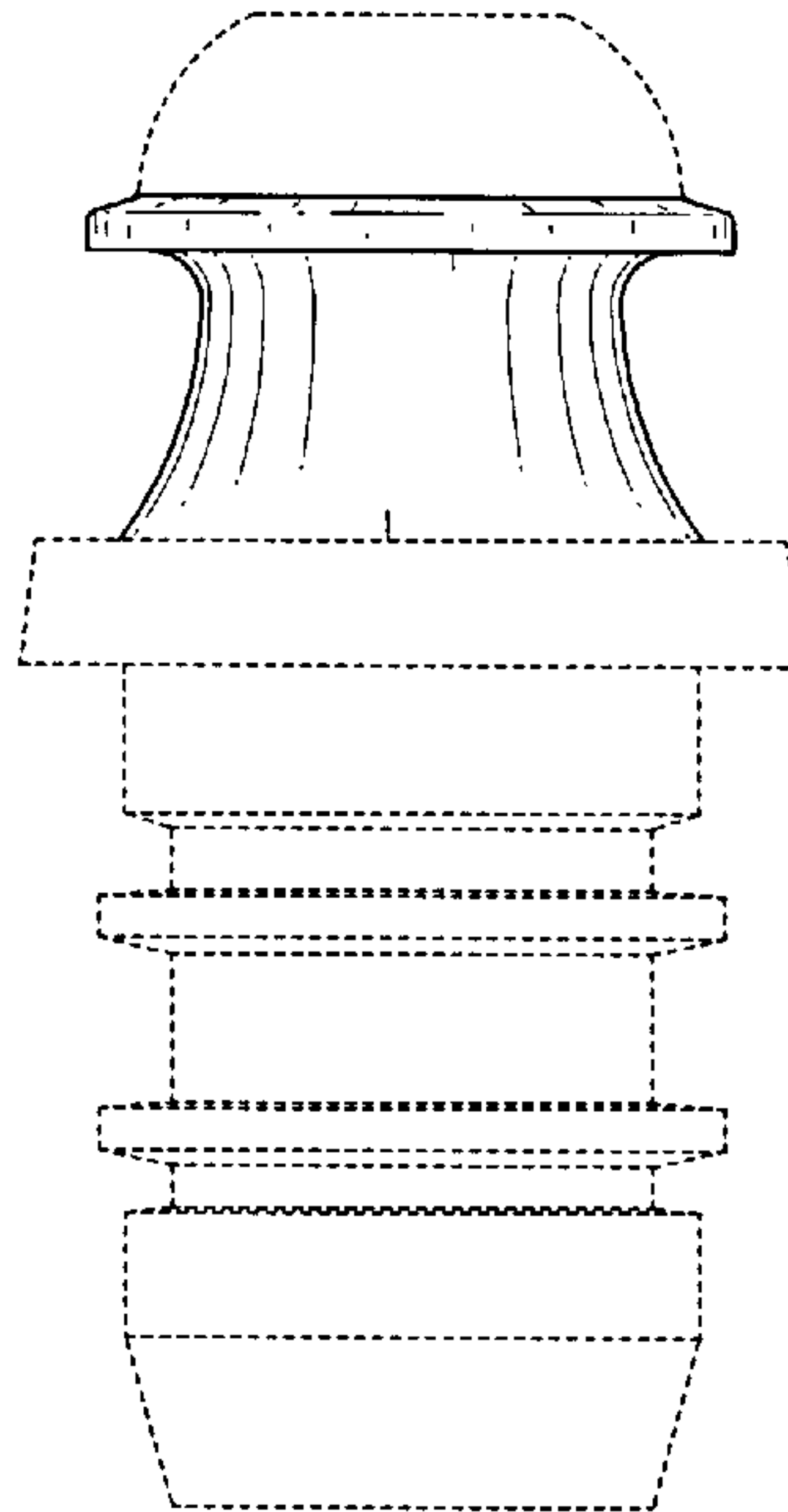


Fig. 3

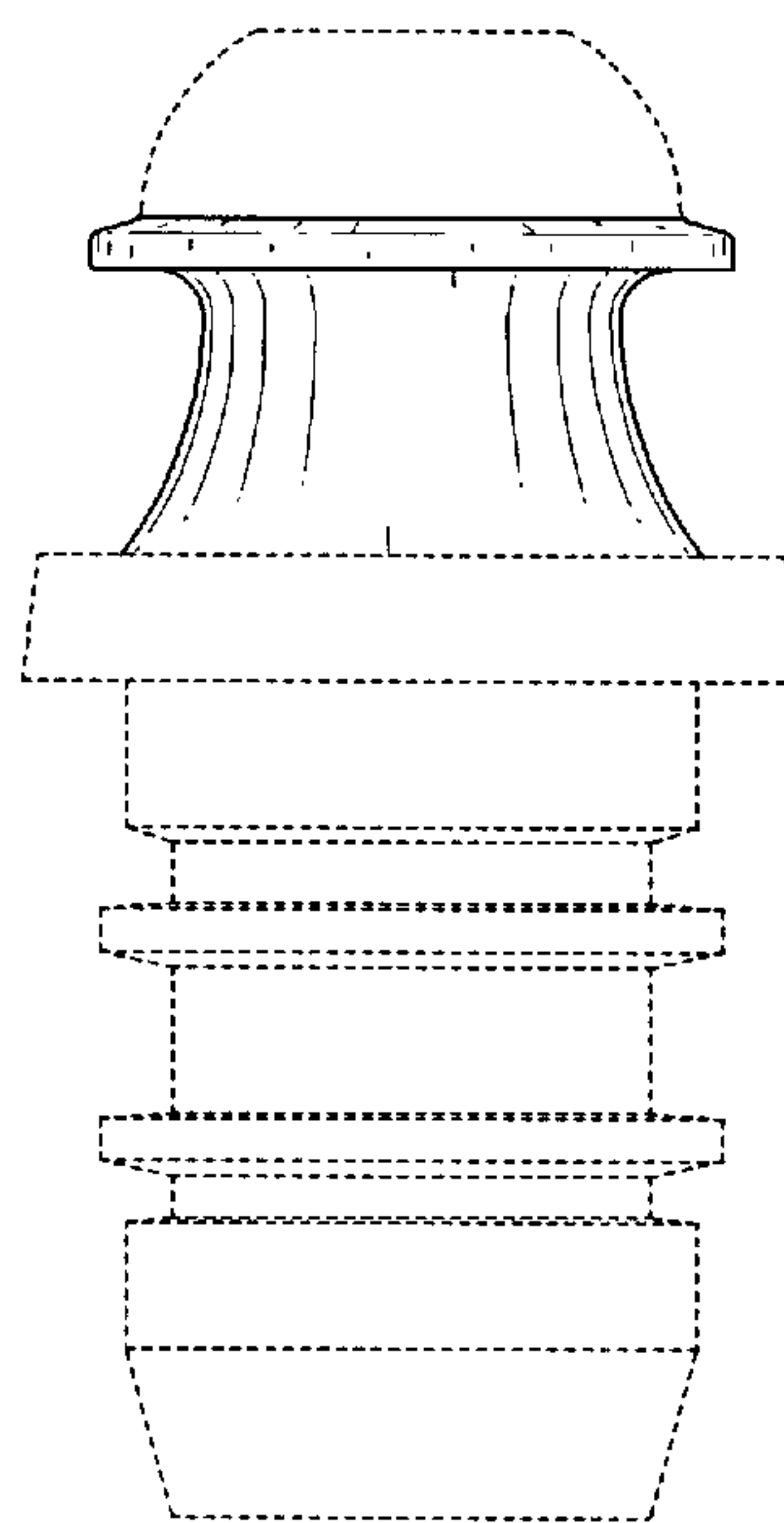


Fig. 4

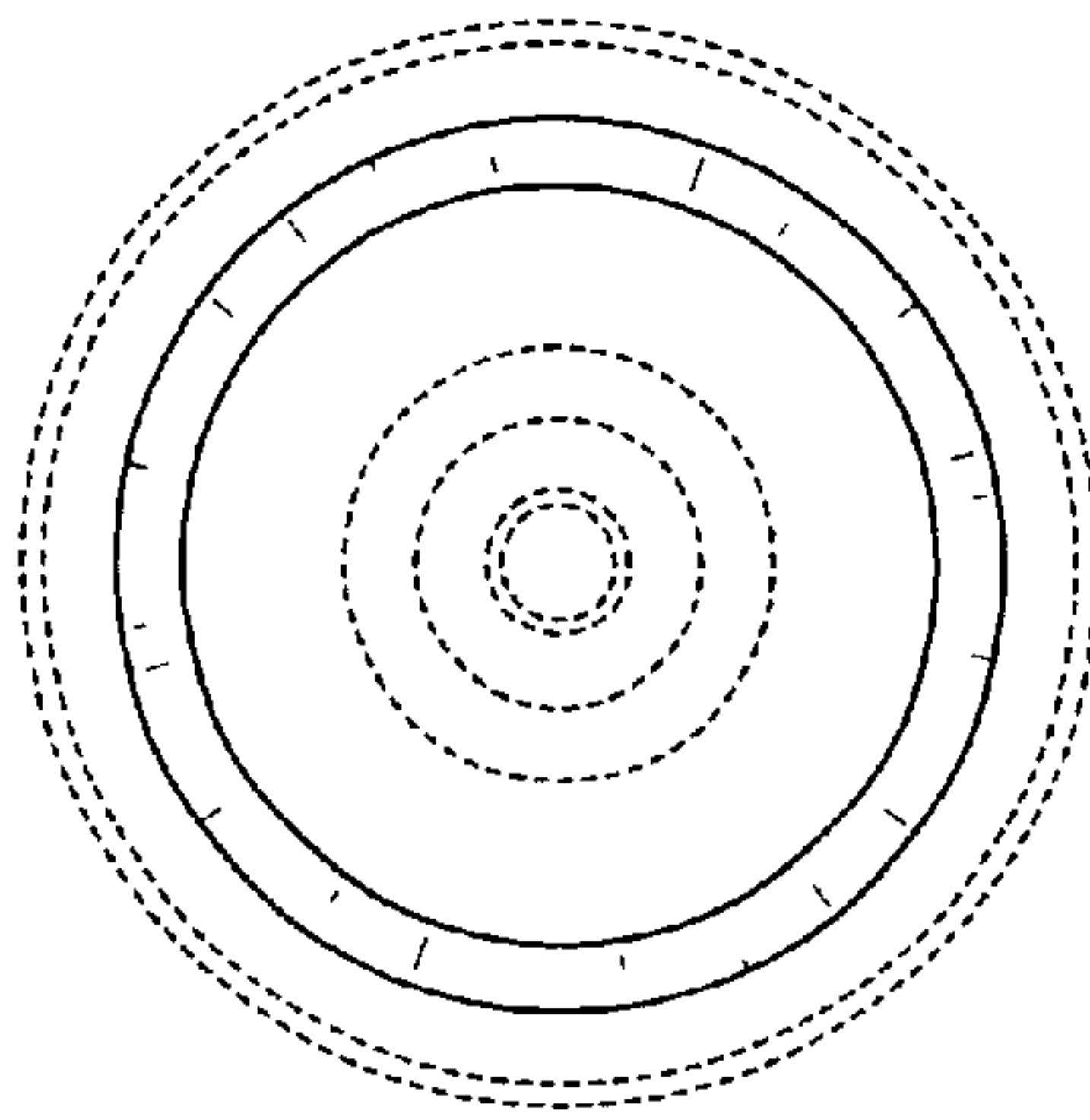


Fig. 5

