



US00D486733S

(12) **United States Design Patent**
Murning et al.

(10) **Patent No.:** **US D486,733 S**

(45) **Date of Patent:** **** Feb. 17, 2004**

(54) **CONTAINER**

(75) Inventors: **Michaela Murning**, Chalfont St Peter (GB); **Philippe Bourgoïn**, Venice (IT)

(73) Assignee: **Reckitt Benckiser (UK) Limited**, Slough (GB)

(**) Term: **14 Years**

(21) Appl. No.: **29/170,896**

(22) Filed: **Nov. 13, 2002**

(30) **Foreign Application Priority Data**

May 15, 2002 (GB) 3003616

(51) **LOC (7) Cl.** **09-03**

(52) **U.S. Cl.** **D9/432**

(58) **Field of Search** D9/414, 416, 418, D9/430, 432, 499, 424, 425; 206/527, 822, 6.1; 220/200, 890, 675; 229/406

(56) **References Cited**

U.S. PATENT DOCUMENTS

2,542,173 A * 2/1951 Wolf 312/236

D194,429 S * 1/1963 Kuhn D35/3
3,166,234 A * 1/1965 Amberg 229/123.1
3,765,595 A * 10/1973 Bernhardt 229/43
D332,397 S * 1/1993 Schea, III et al. D9/341
D363,663 S * 10/1995 Plater D9/425
D422,412 S * 4/2000 Greene D3/314
D473,136 S * 4/2003 McLeish D9/418

* cited by examiner

Primary Examiner—Philip S. Hyder

Assistant Examiner—Daniel Bui

(74) *Attorney, Agent, or Firm*—Norris, McLaughlin & Marcus P.A.

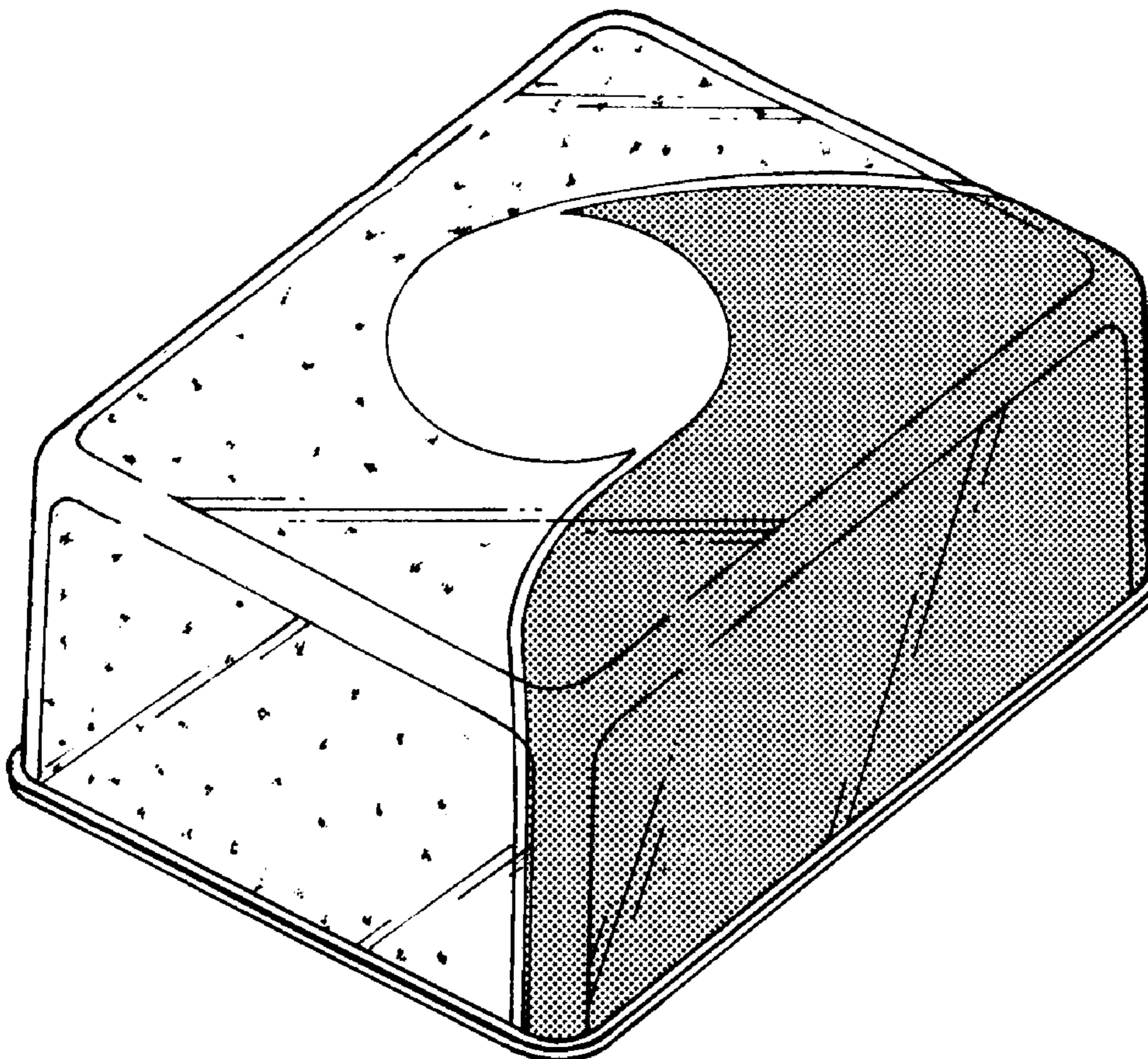
(57) **CLAIM**

The ornamental design for a container, as shown and described.

DESCRIPTION

FIG. 1 is a perspective view of the container, showing our new design;
FIG. 2 is a plan view of the bottom thereof;
FIG. 3 is a side elevation view thereof; and,
FIG. 4 is an end elevation view thereof.

1 Claim, 1 Drawing Sheet



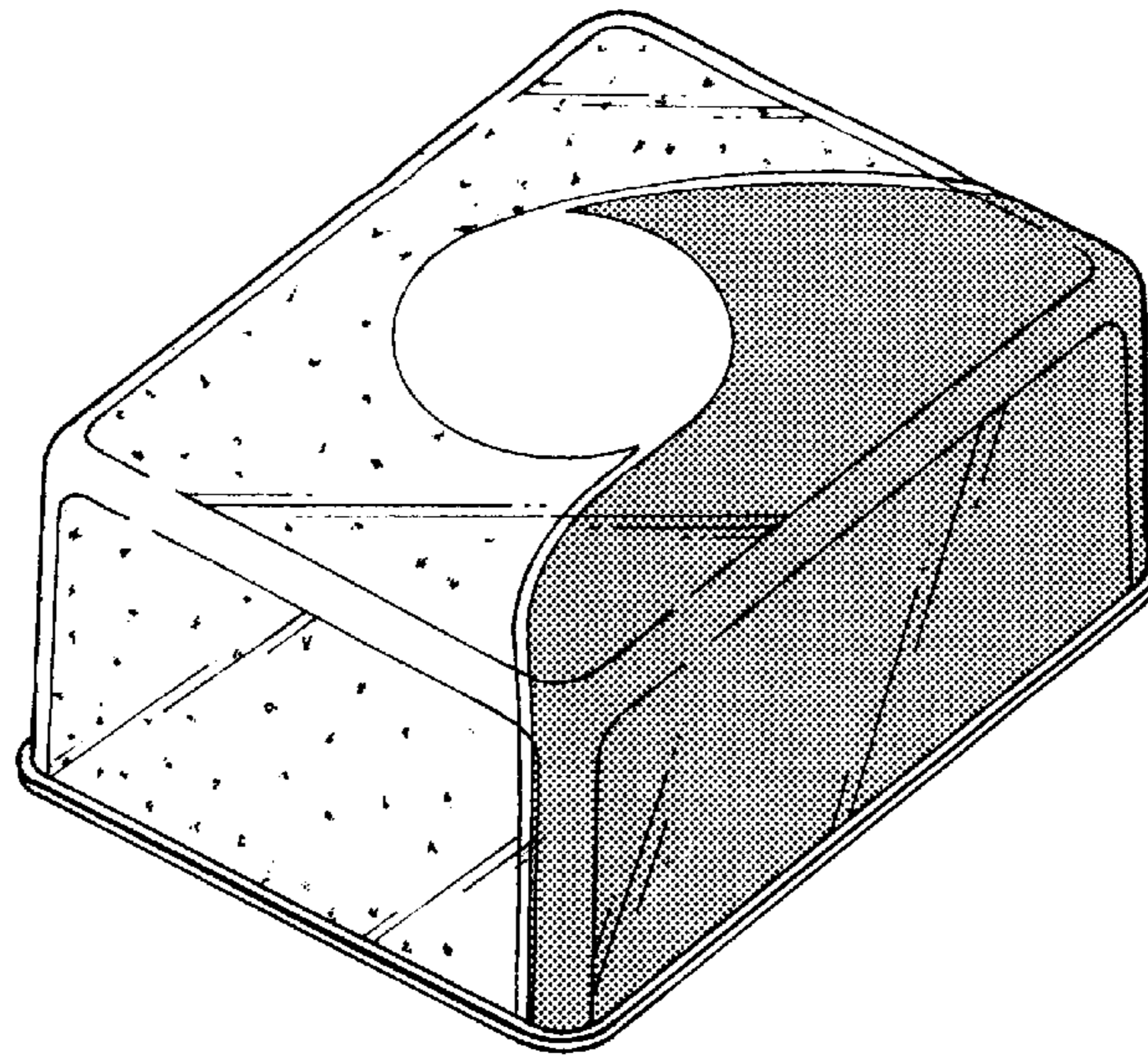


Fig. 1.

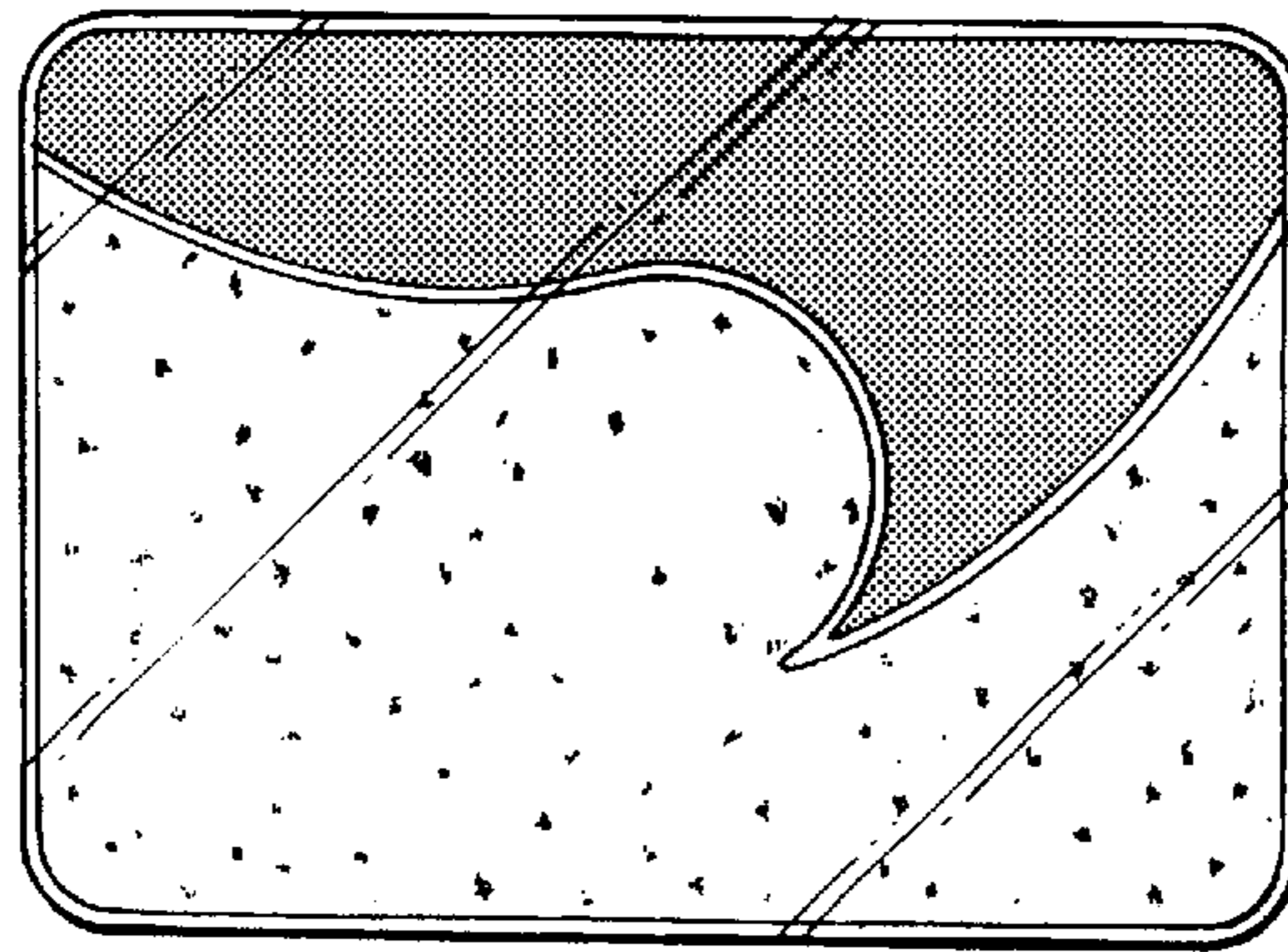


Fig. 2.

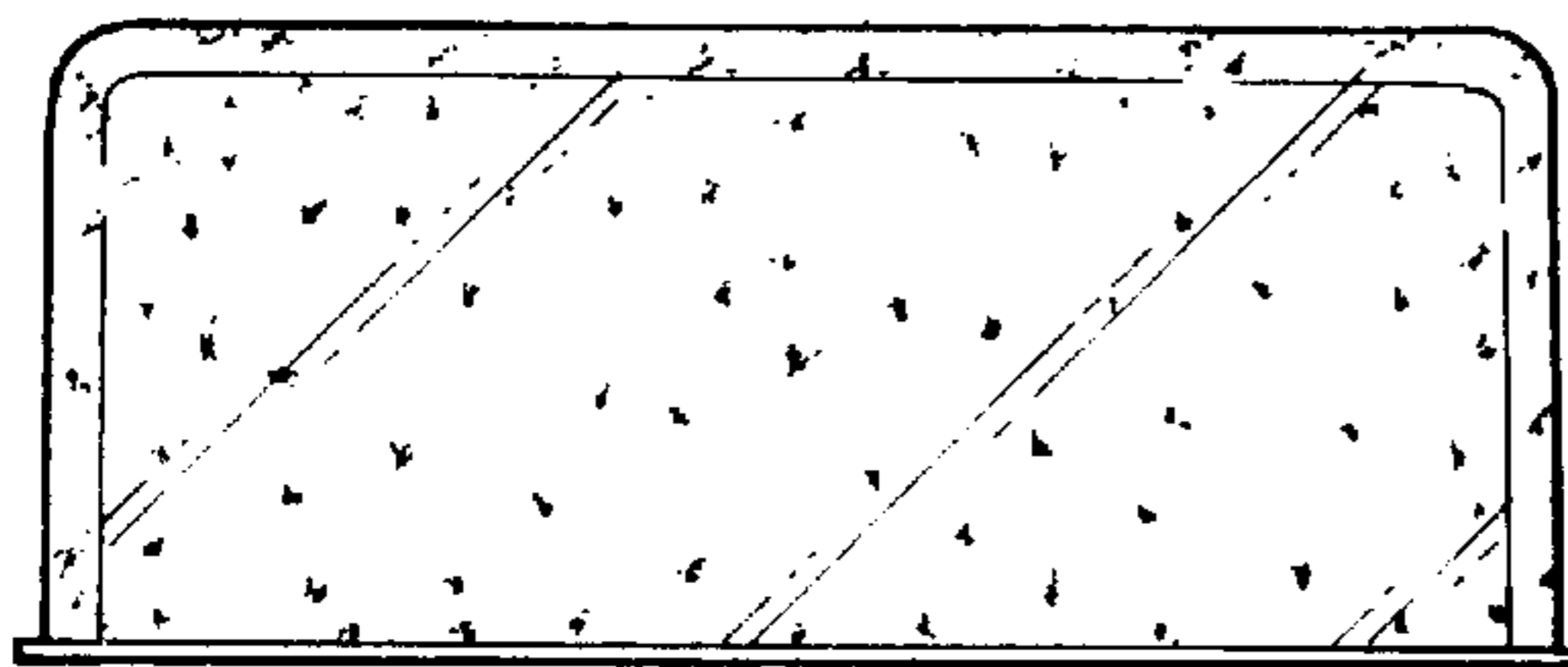


Fig. 3.

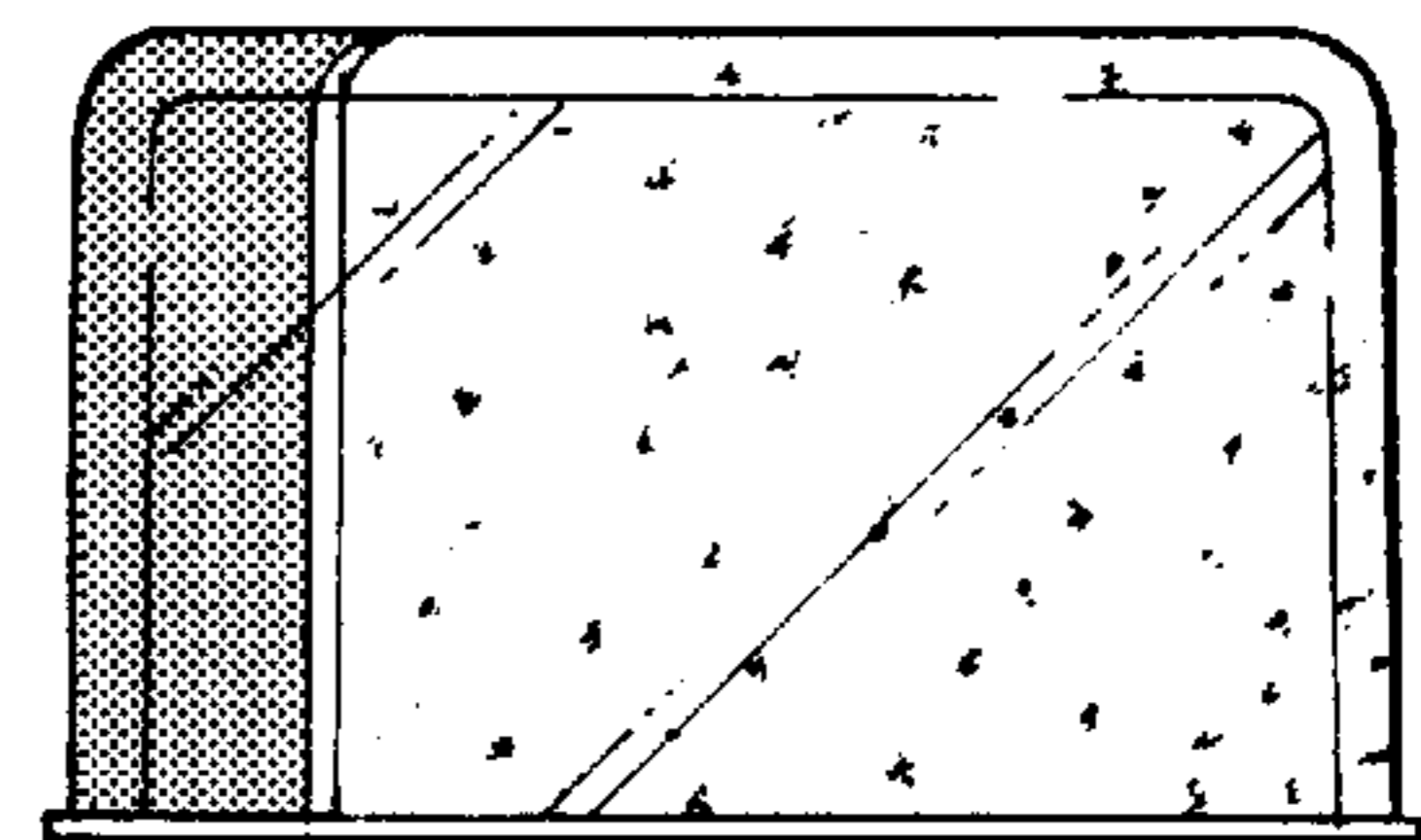


Fig. 4.