



US00D486731S

(12) **United States Design Patent**
Meeker et al.

(10) **Patent No.:** **US D486,731 S**

(45) **Date of Patent:** **** Feb. 17, 2004**

(54) **BOX**

(75) Inventors: **Shane Edwin Meeker**, Maineville, OH (US); **Julie Jane Baker**, Hamilton, OH (US); **Molly Eileen Stocker**, Villa Hills, KY (US); **Leslie Virgil Hall**, Cincinnati, OH (US); **Jimmy Joseph Hanko**, Lexington, KY (US)

(73) Assignee: **The Procter & Gamble Company**, Cincinnati, OH (US)

(**) Term: **14 Years**

(21) Appl. No.: **29/158,899**

(22) Filed: **Apr. 11, 2002**

(51) **LOC (7) Cl.** **09-03**

(52) **U.S. Cl.** **D9/416; D9/430; D9/431**

(58) **Field of Search** **D9/414-417, 430, D9/432; 229/123.3, 200, 201, 210, 230, 108, 106, 116.1, 207, 232, 221, 125.33, 125.15; 206/781, 783, 776, 777, 769, 770, 233, 494**

(56) **References Cited**

U.S. PATENT DOCUMENTS

3,349,985 A	*	10/1967	Salway	206/557
3,357,631 A	*	12/1967	Aid et al.	229/232
3,737,095 A	*	6/1973	DeRauf	229/232
3,905,646 A	*	9/1975	Brackmann et al.	...	229/117.16
D270,041 S	*	8/1983	Vestal	D9/416
4,687,104 A	*	8/1987	Ielmini	229/207

4,738,365 A	*	4/1988	Pratr	229/123.3
D311,493 S	*	10/1990	Boone	D9/416
D412,114 S	*	7/1999	Hansen	D9/416
D447,689 S	*	9/2001	Navet et al.	D9/430
D472,141 S	*	3/2003	Buschkiel et al.	D9/416

* cited by examiner

Primary Examiner—Prabhakar Deshmukh
(74) *Attorney, Agent, or Firm*—Jeffrey V. Bamber

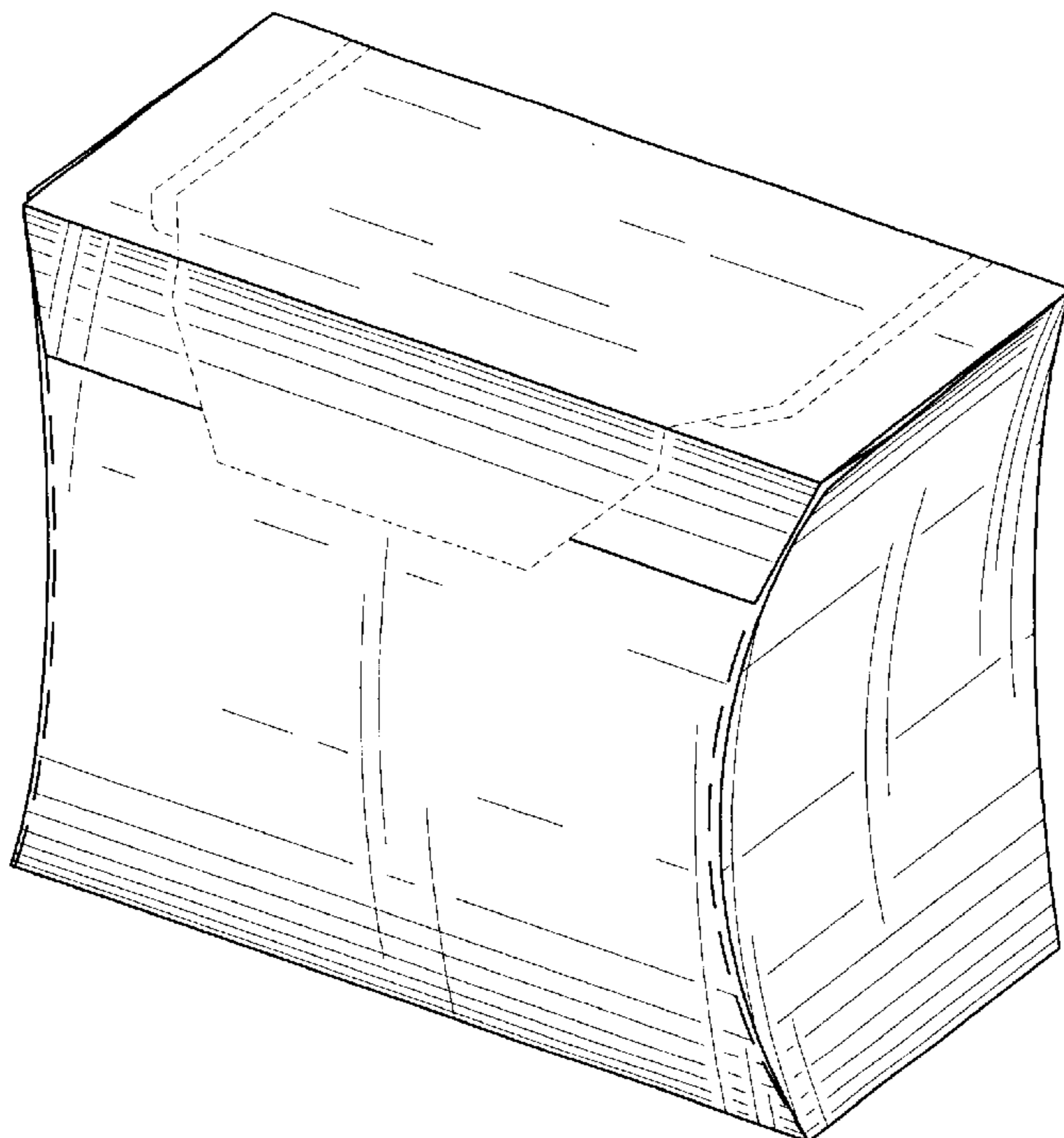
(57) **CLAIM**

The ornamental design for a box, as shown and described.

DESCRIPTION

FIG. 1 is a perspective view of one embodiment of a box embodying our new design;
 FIG. 2 is a right side view of the box shown in FIG. 1, the left side view being the same;
 FIG. 3 is a front view of the box shown in FIG. 1;
 FIG. 4 is a rear view of the box shown in FIG. 1;
 FIG. 5 is a top view of the box shown in FIG. 1;
 FIG. 6 is a bottom view of the box shown in FIG. 1;
 FIG. 7 is a perspective view of another embodiment of a box embodying our new design;
 FIG. 8 is a right side view of the box shown in FIG. 7, the left side view being the same;
 FIG. 9 is a front view of the box shown in FIG. 7;
 FIG. 10 is a rear view of the box shown in FIG. 7;
 FIG. 11 is a top view of the box shown in FIG. 7; and,
 FIG. 12 is a bottom view of the box shown in FIG. 7.
 The broken lines shown in the drawings are for illustrative purposes only and form no part of the claimed design.

1 Claim, 6 Drawing Sheets



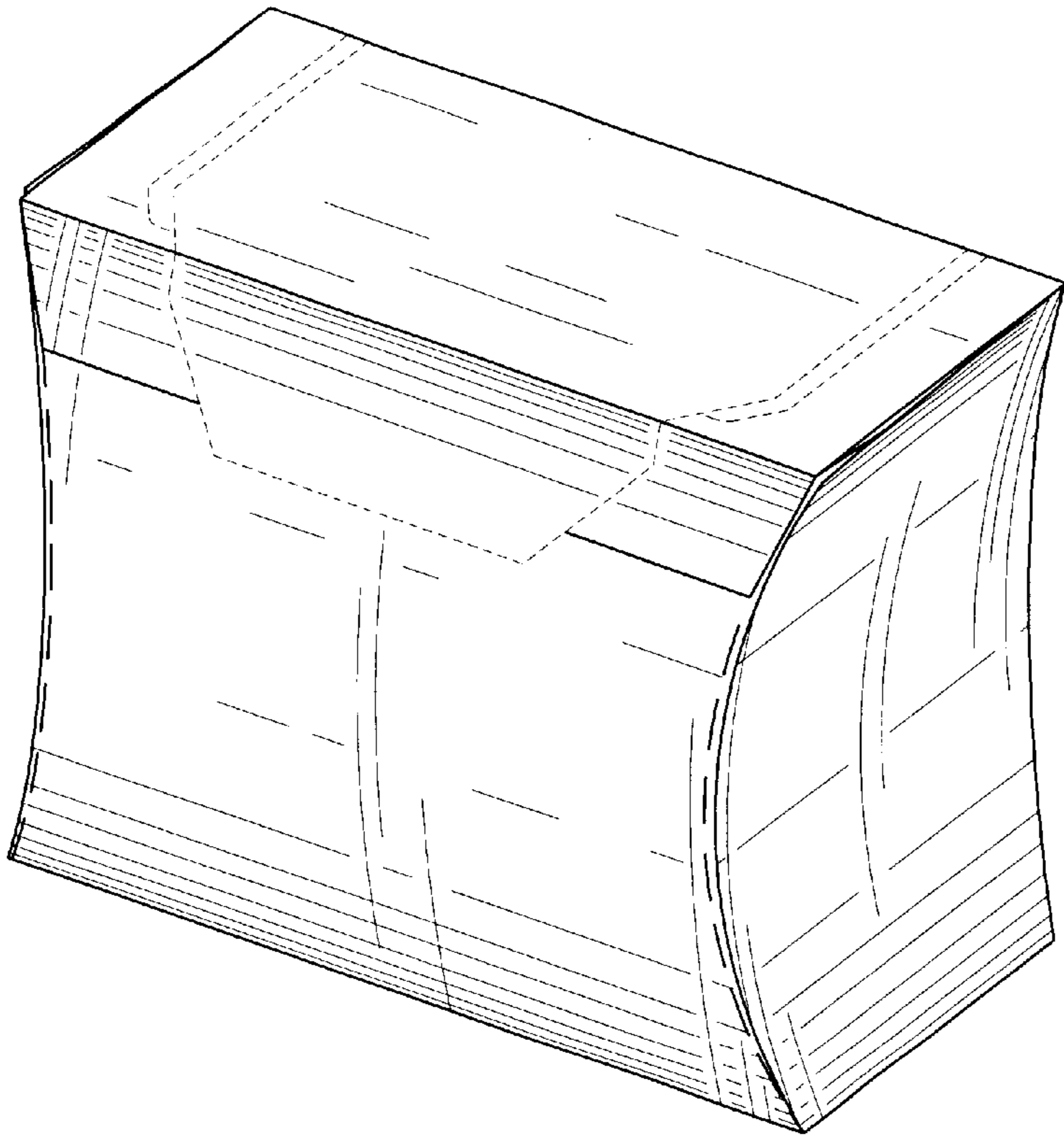


Fig. 1

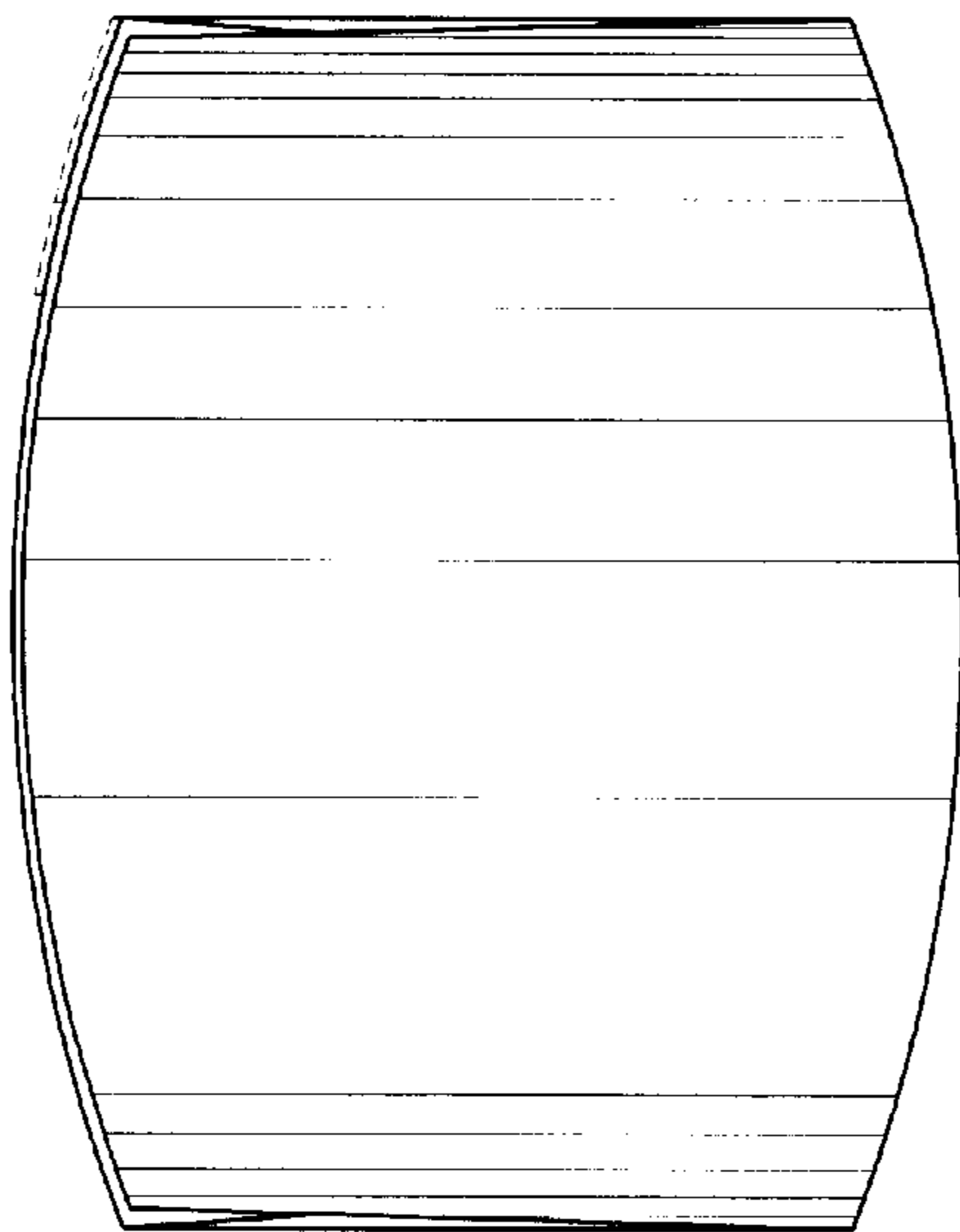


Fig. 2

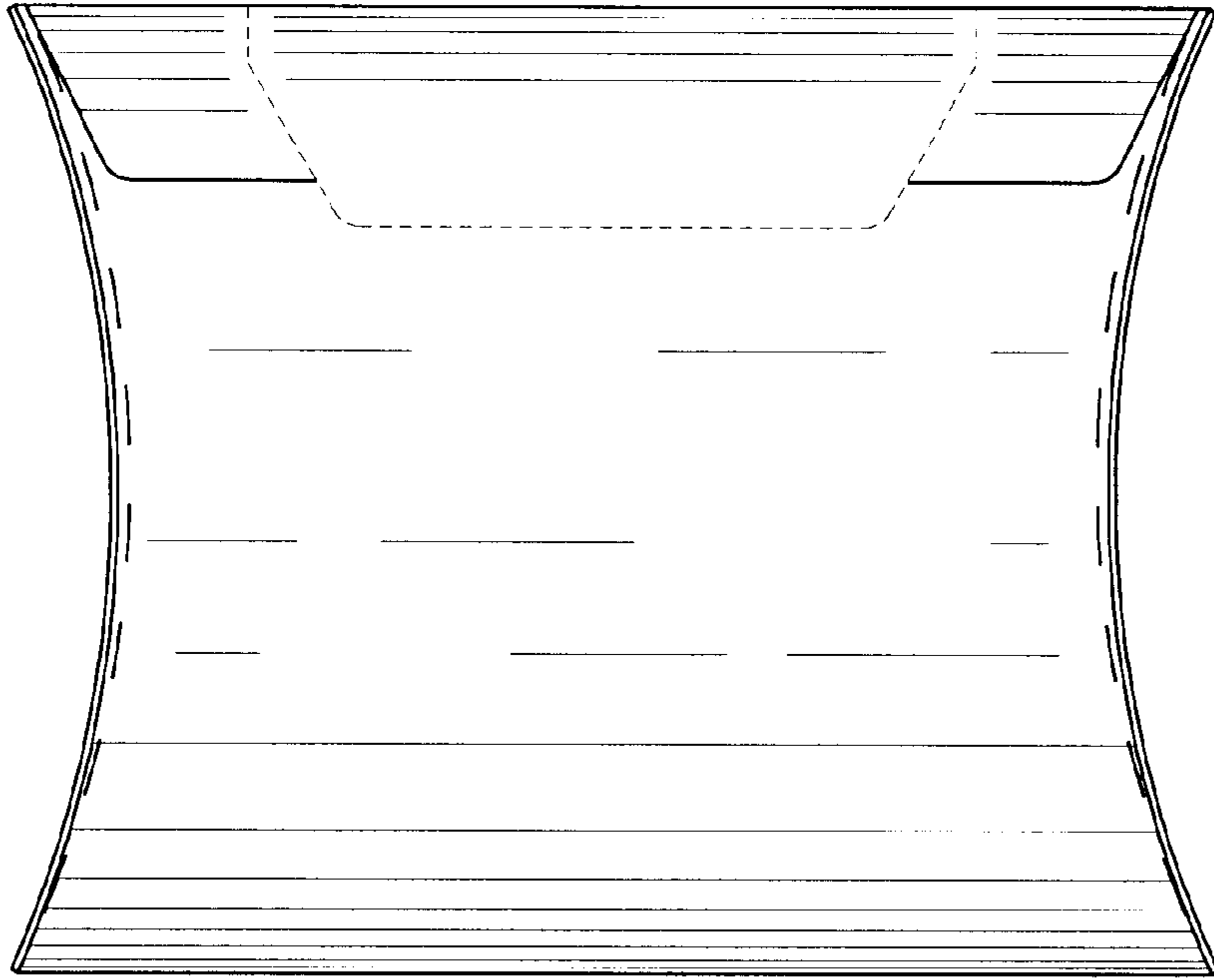


Fig. 3

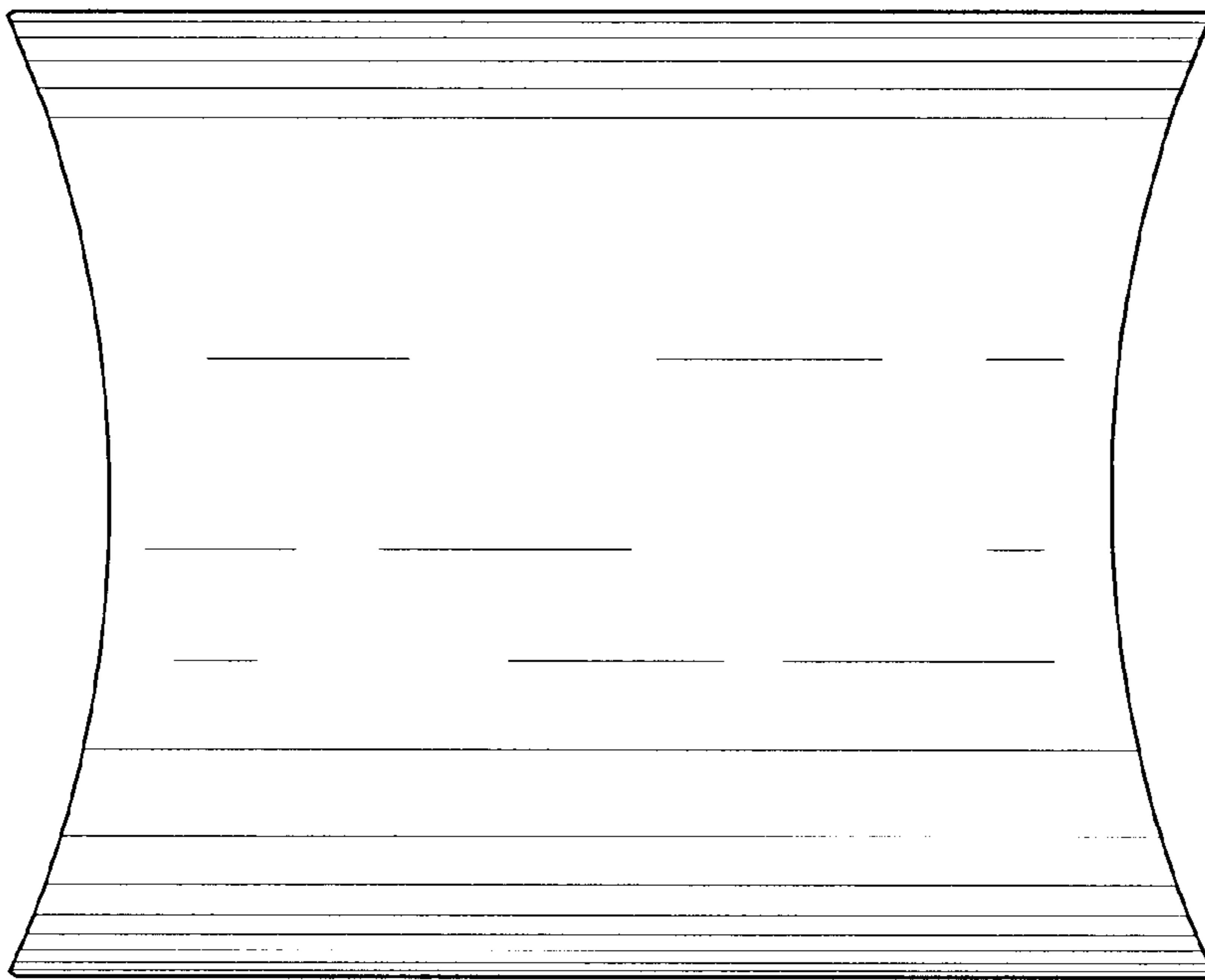


Fig. 4

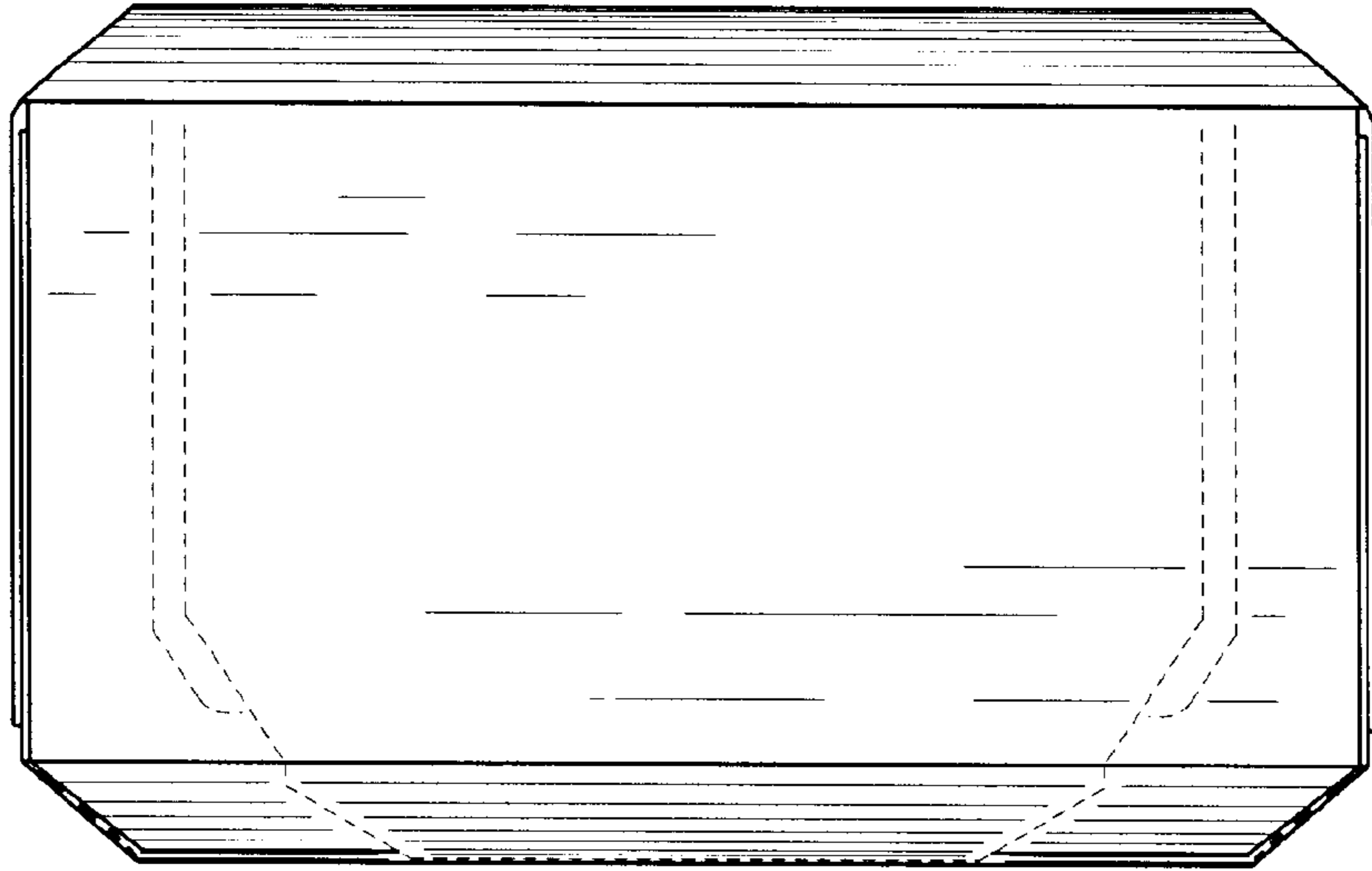


Fig. 5

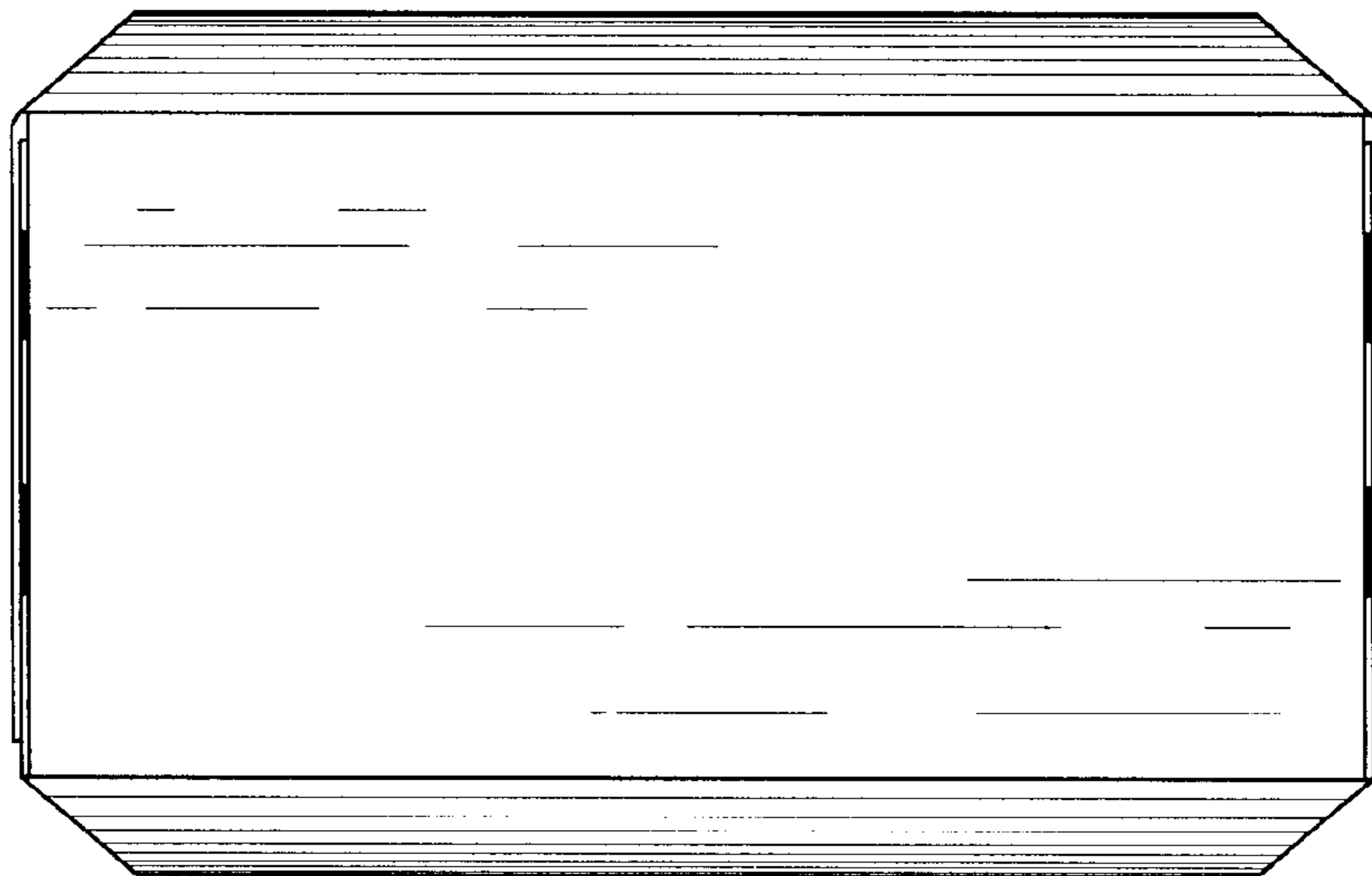


Fig. 6

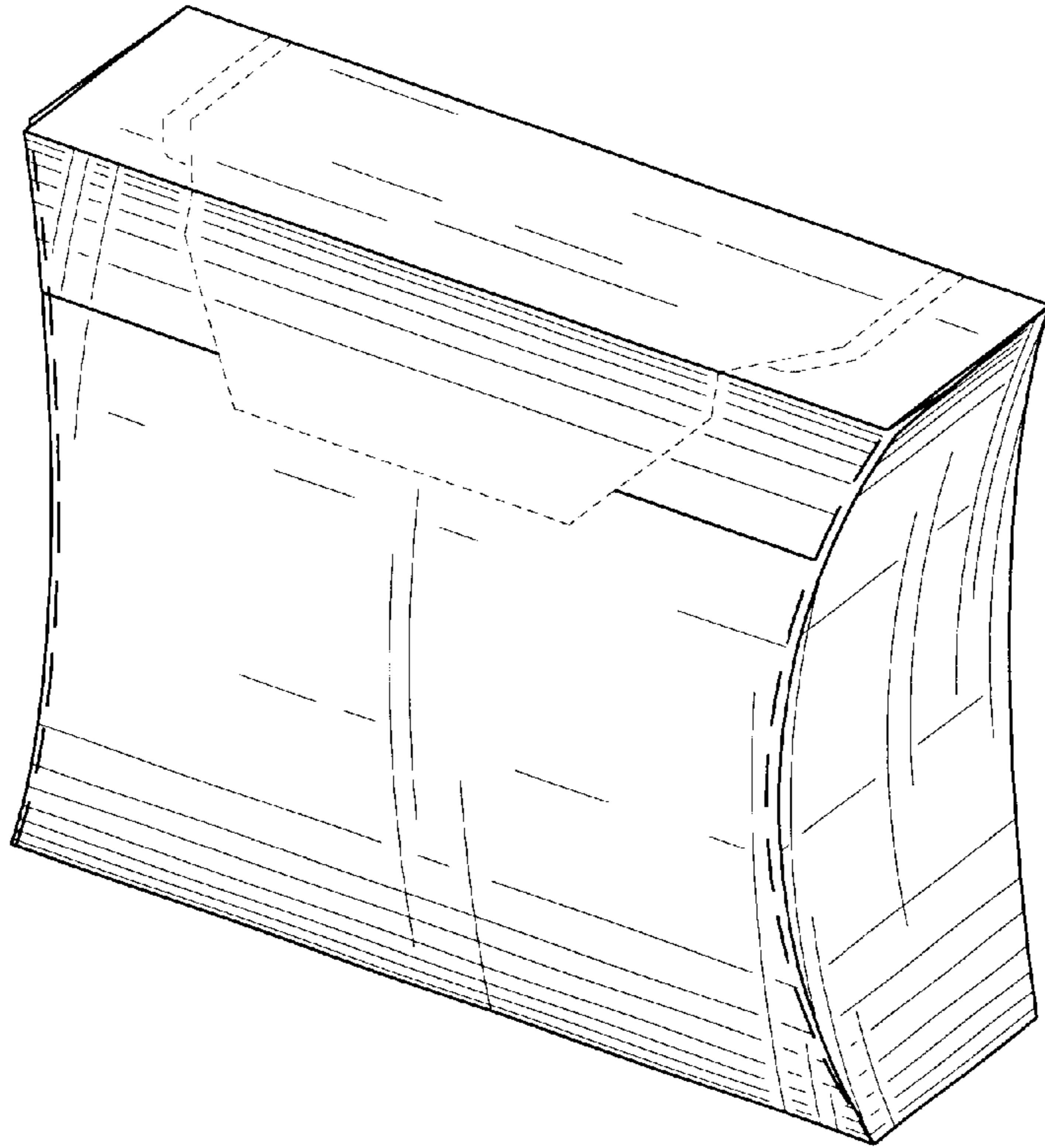


Fig. 7

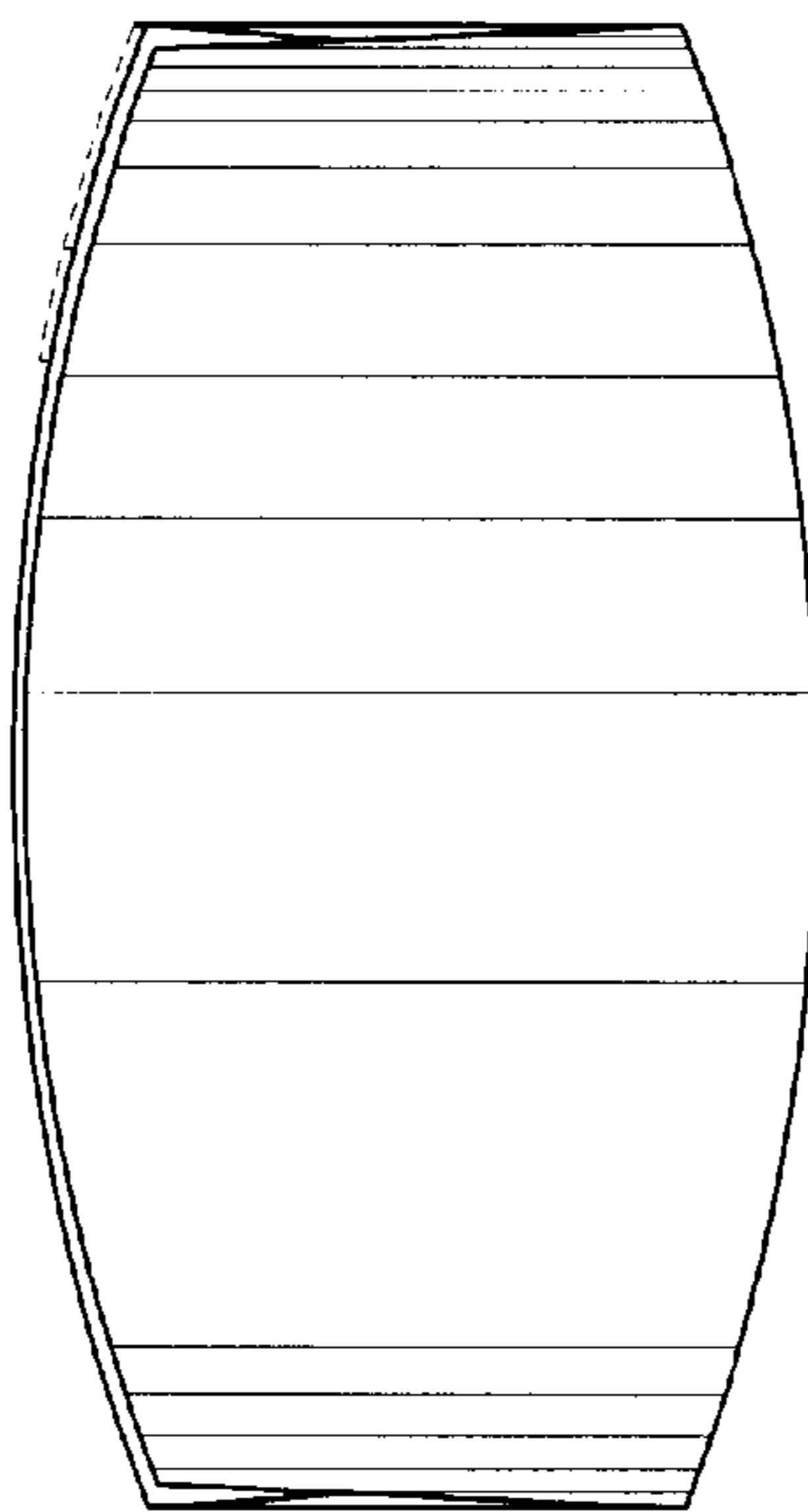


Fig. 8

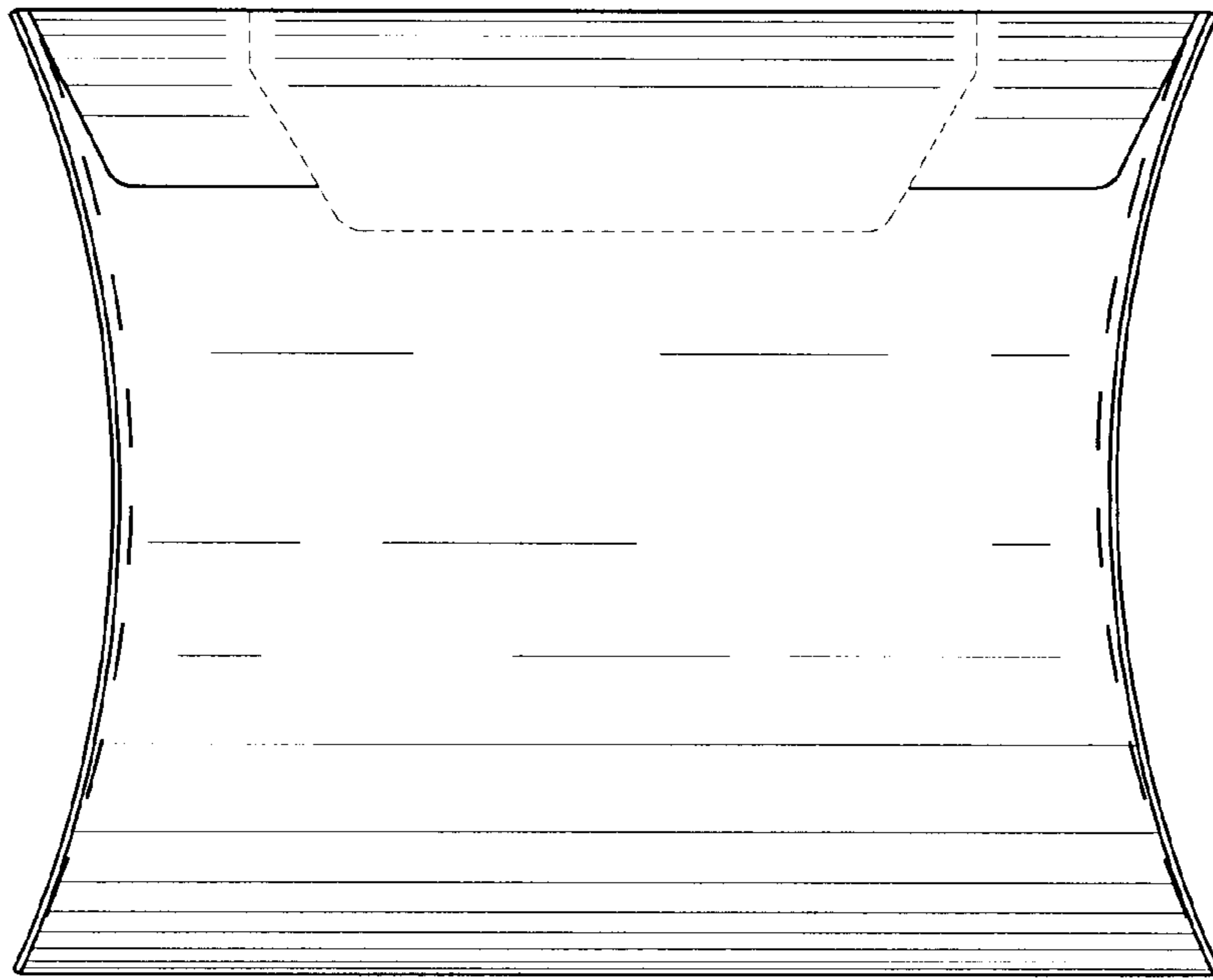


Fig. 9

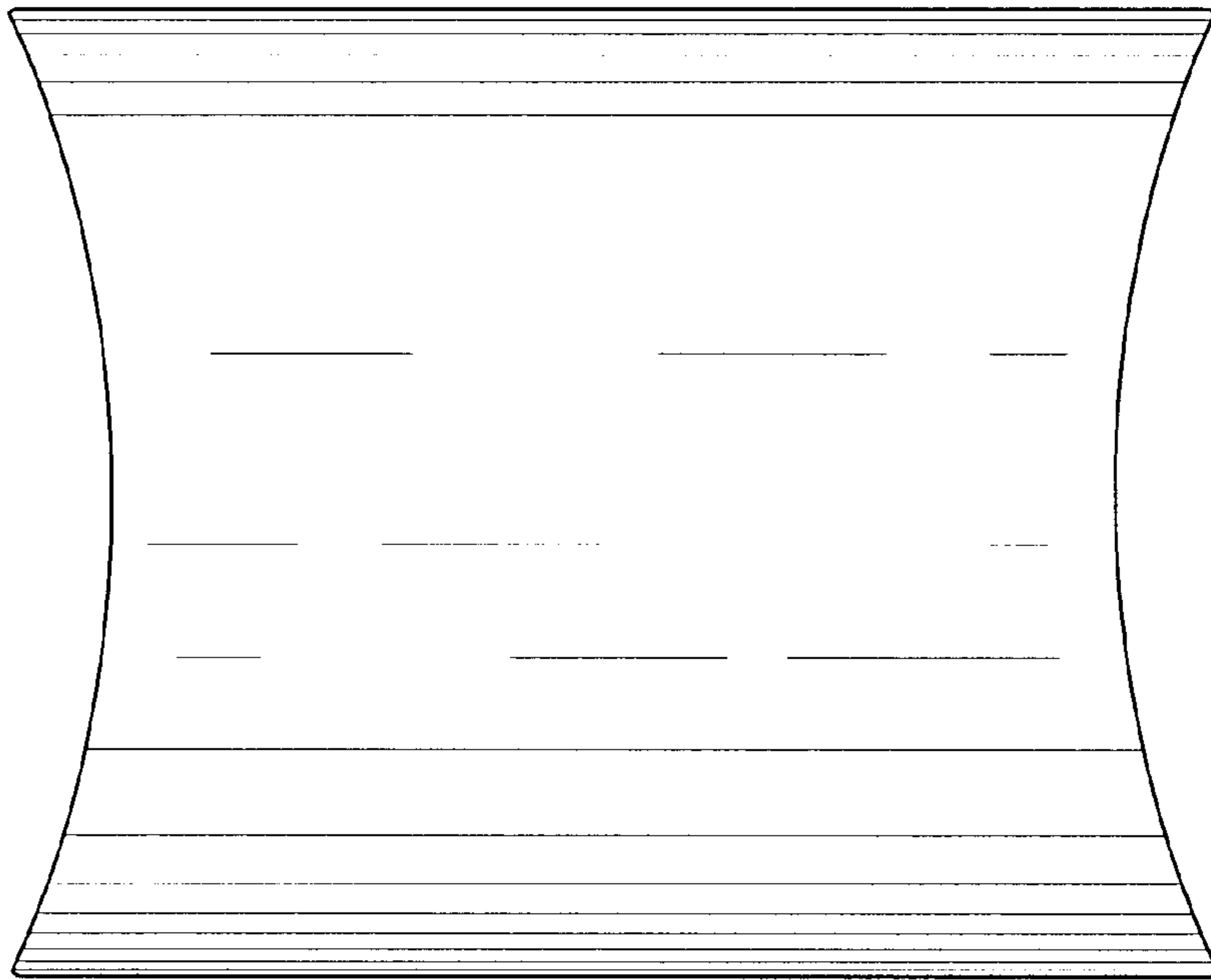


Fig. 10

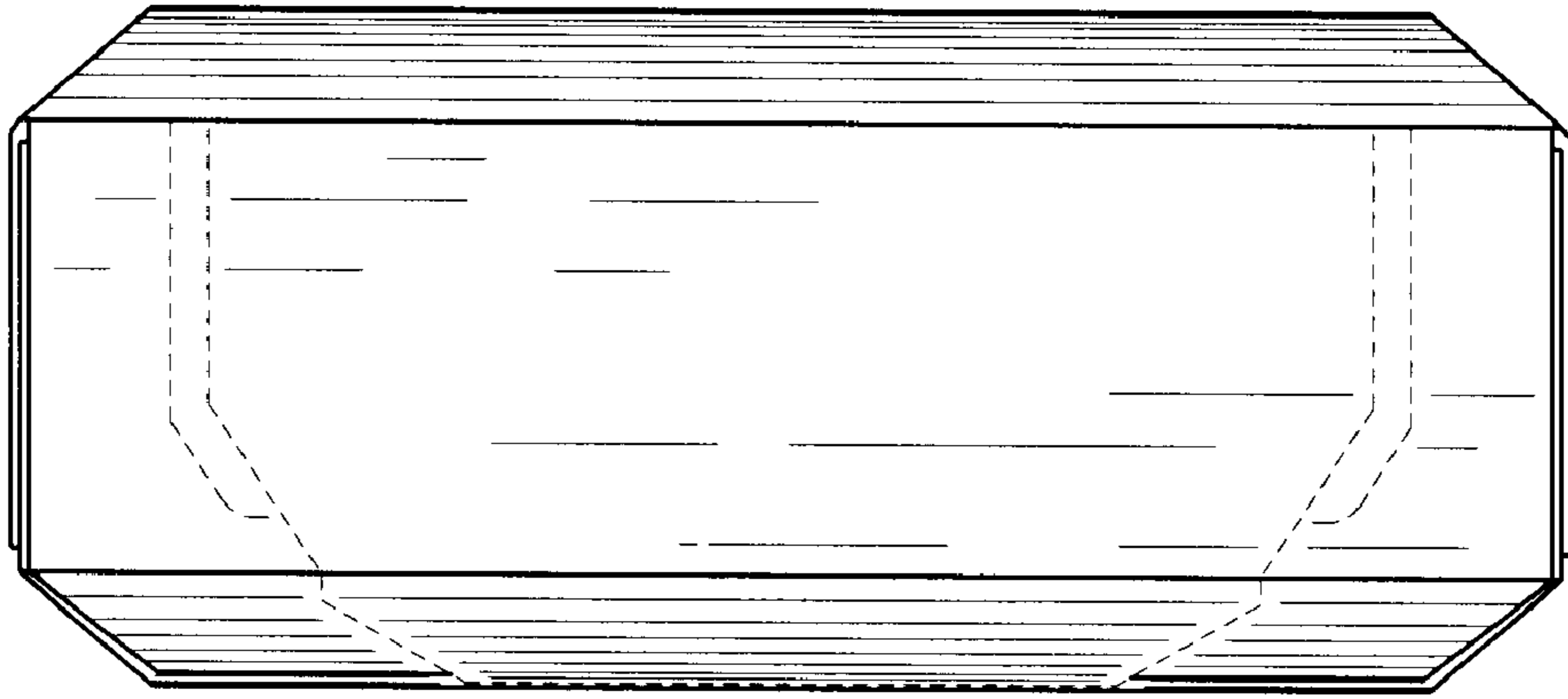


Fig. 11

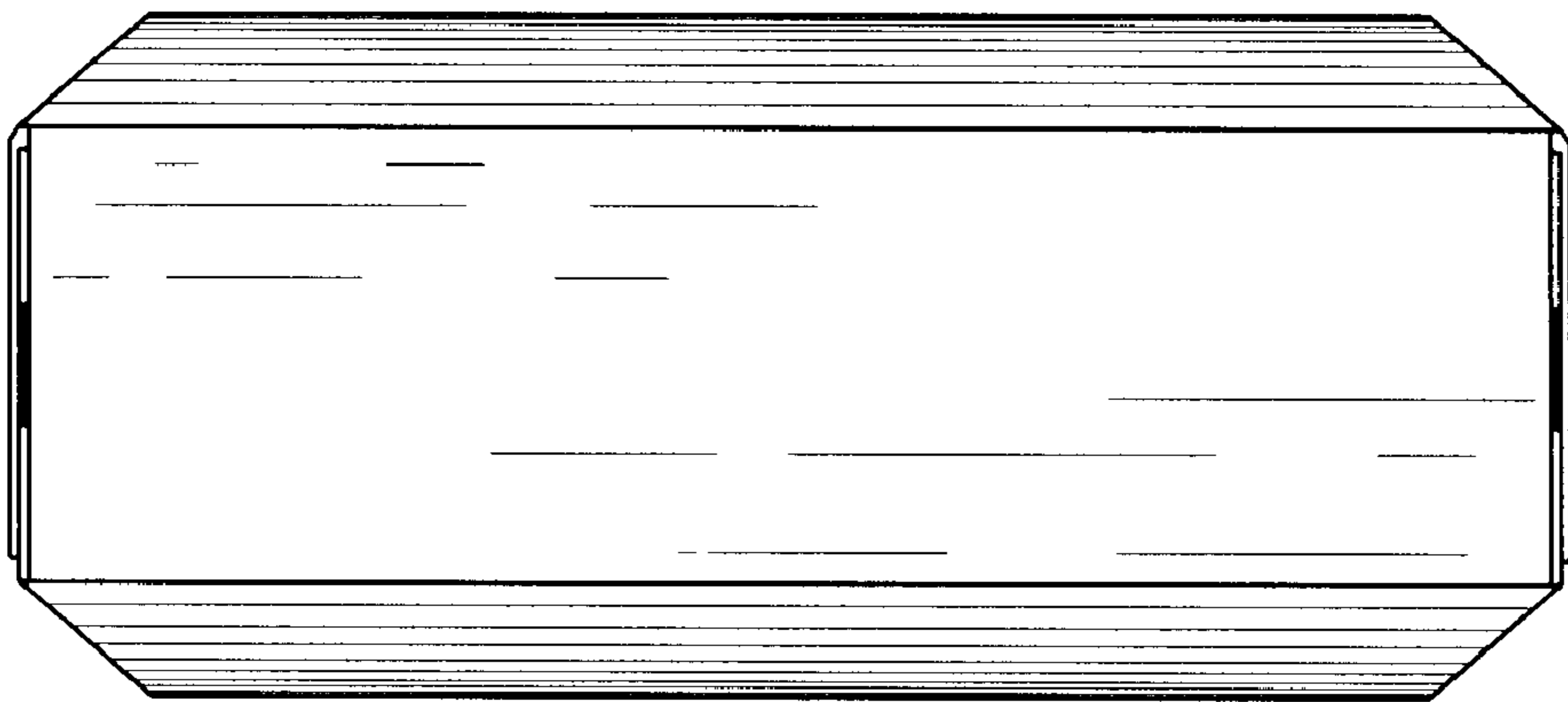


Fig. 12