



US00D486728S

(12) **United States Design Patent**  
**Malin**

(10) **Patent No.:** **US D486,728 S**

(45) **Date of Patent:** **\*\* Feb. 17, 2004**

(54) **SCREW CLIP**

(75) **Inventor:** **Glen K. Malin**, New York, NY (US)

(73) **Assignee:** **Allied Bolt, Inc.**, Hollis, NY (US)

(\*\*) **Term:** **14 Years**

(21) **Appl. No.:** **29/144,907**

(22) **Filed:** **Jul. 12, 2001**

(51) **LOC (7) Cl.** ..... **08-08**

(52) **U.S. Cl.** ..... **D8/396**

(58) **Field of Search** ..... 248/71, 74.1, 222.14,  
248/214, 229.26, 300; D8/354, 371, 394-396,  
399

(56) **References Cited**

**U.S. PATENT DOCUMENTS**

1,578,634 A *	3/1926	Borgmann	.....	411/368
1,968,596 A *	7/1934	Benander	.....	D8/395
2,545,347 A *	3/1951	Embree	.....	248/300
3,378,806 A *	4/1968	Wilkerson et al.	.....	411/337
4,042,198 A *	8/1977	Takeuchi	.....	248/62
4,667,910 A *	5/1987	Atterby et al.	.....	248/71
4,823,752 A *	4/1989	Uuskallio	.....	248/74.1
D302,655 S	8/1989	Sachs		
D331,358 S	12/1992	Sachs		

D342,013 S	12/1993	Sachs		
5,521,460 A *	5/1996	Zhu	.....	411/221
5,759,049 A *	6/1998	Gerber	.....	D8/395
D398,218 S *	9/1998	Coll et al.	.....	D8/356
D400,090 S *	10/1998	Coll	.....	D8/356

\* cited by examiner

*Primary Examiner*—Louis S. Zarfes

*Assistant Examiner*—Deanne Levy

(74) *Attorney, Agent, or Firm*—Baker Botts L.L.P.

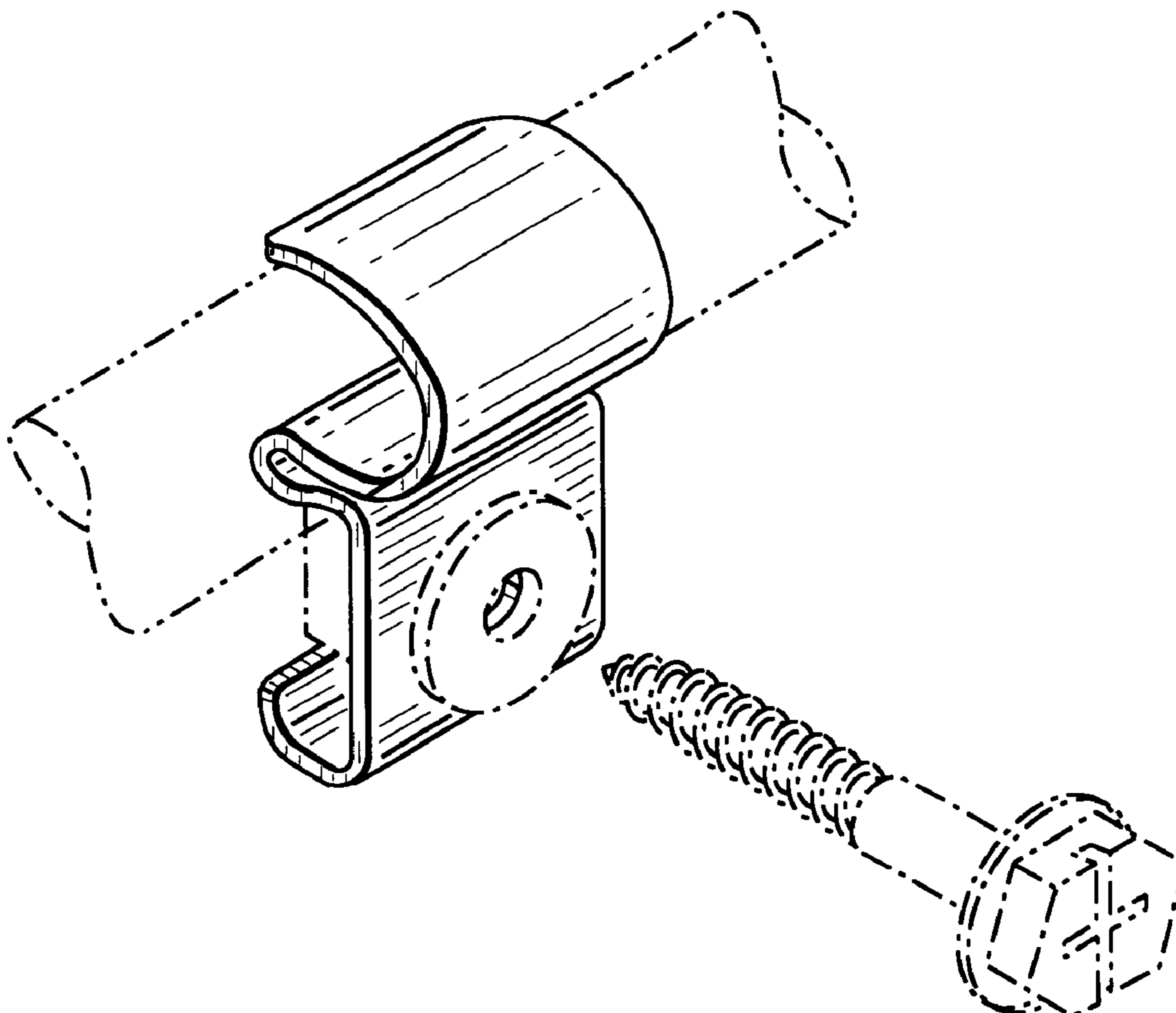
(57) **CLAIM**

I claim a screw clip, as shown and described.

**DESCRIPTION**

FIG. 1 is a perspective view of a screw clip showing my new design;  
 FIG. 2 is a front elevational view of the screw clip of FIG. 1;  
 FIG. 3 is a left-side elevational view of the screw clip of FIG. 1;  
 FIG. 4 is a rear elevational view of the screw clip of FIG. 1;  
 FIG. 5 is a top plan view of the screw clip of FIG. 1; and,  
 FIG. 6 is a bottom plan view of the screw clip of FIG. 1.  
 The broken lines are provided for illustrative purposes only and form no part of the claimed design.

**1 Claim, 1 Drawing Sheet**



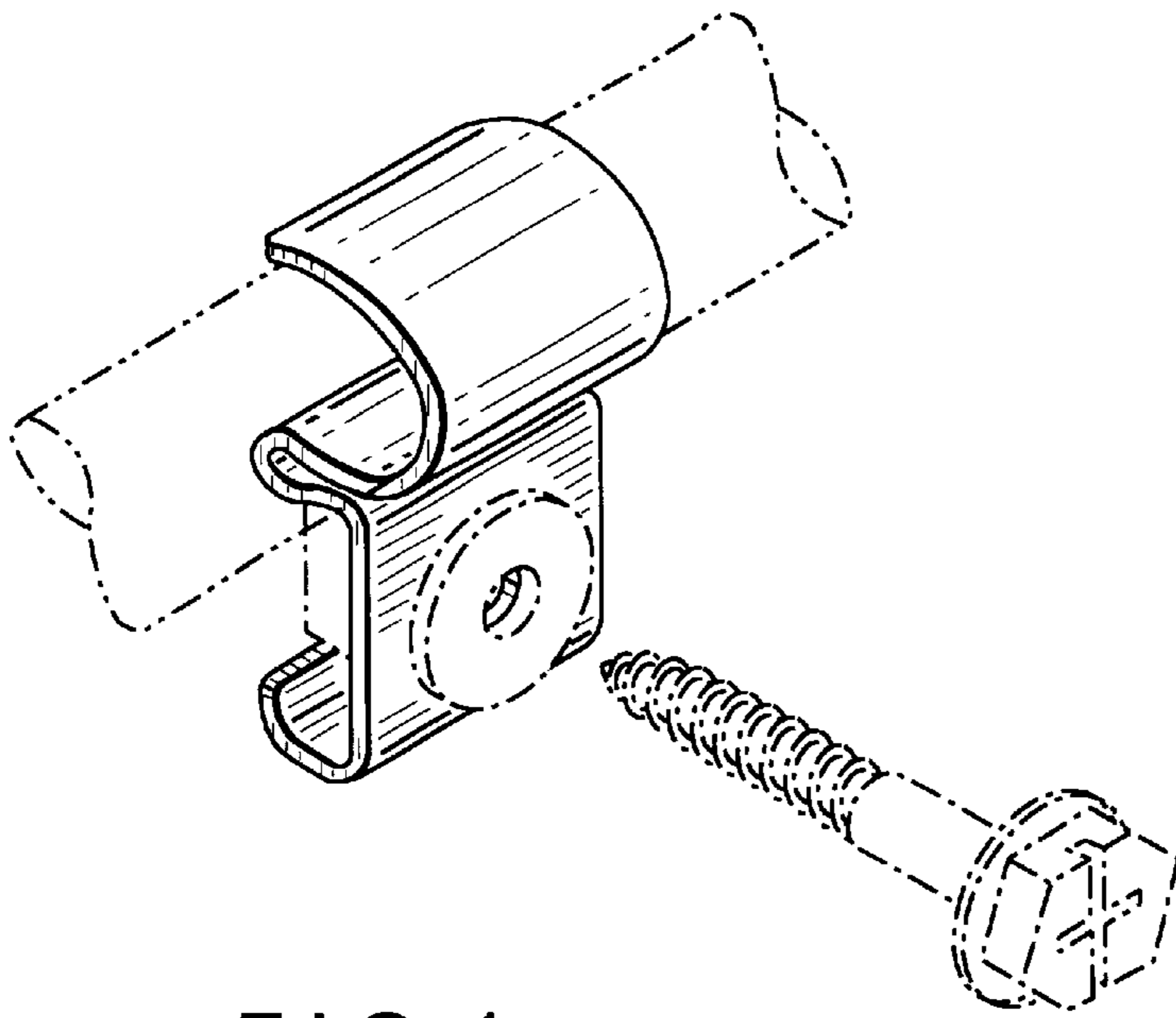


FIG. 1

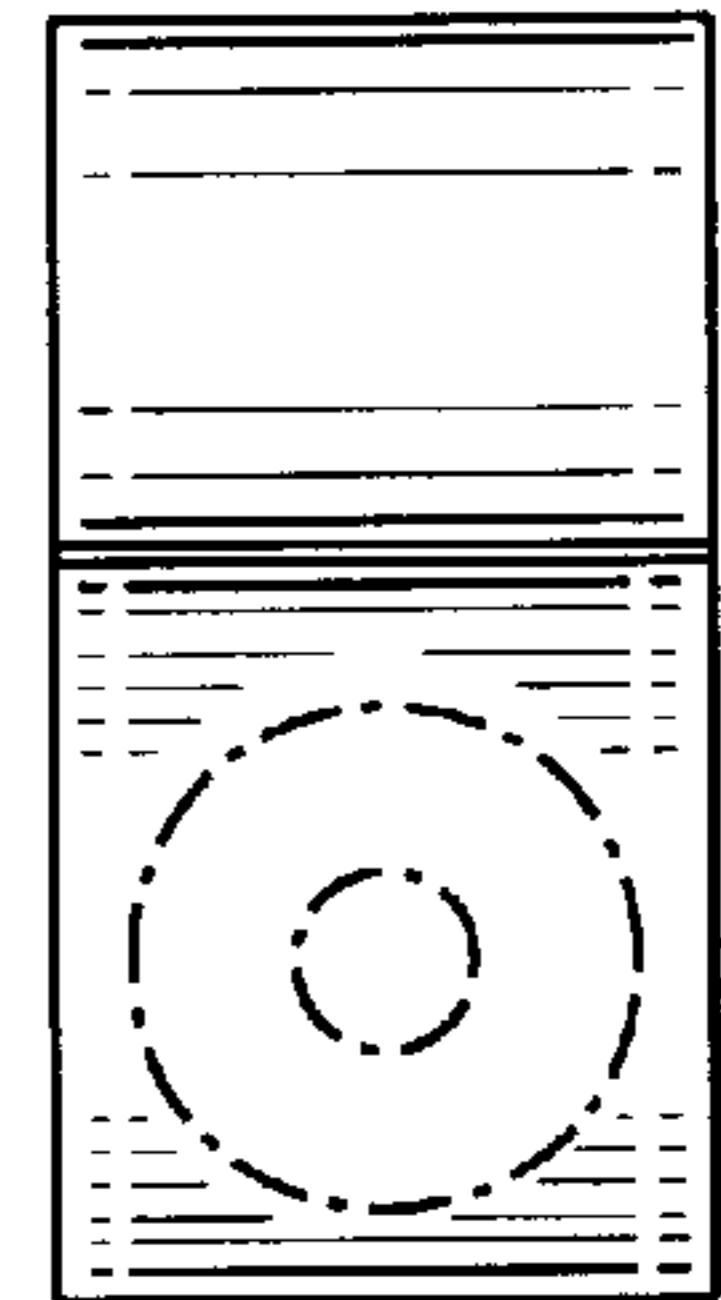


FIG. 2

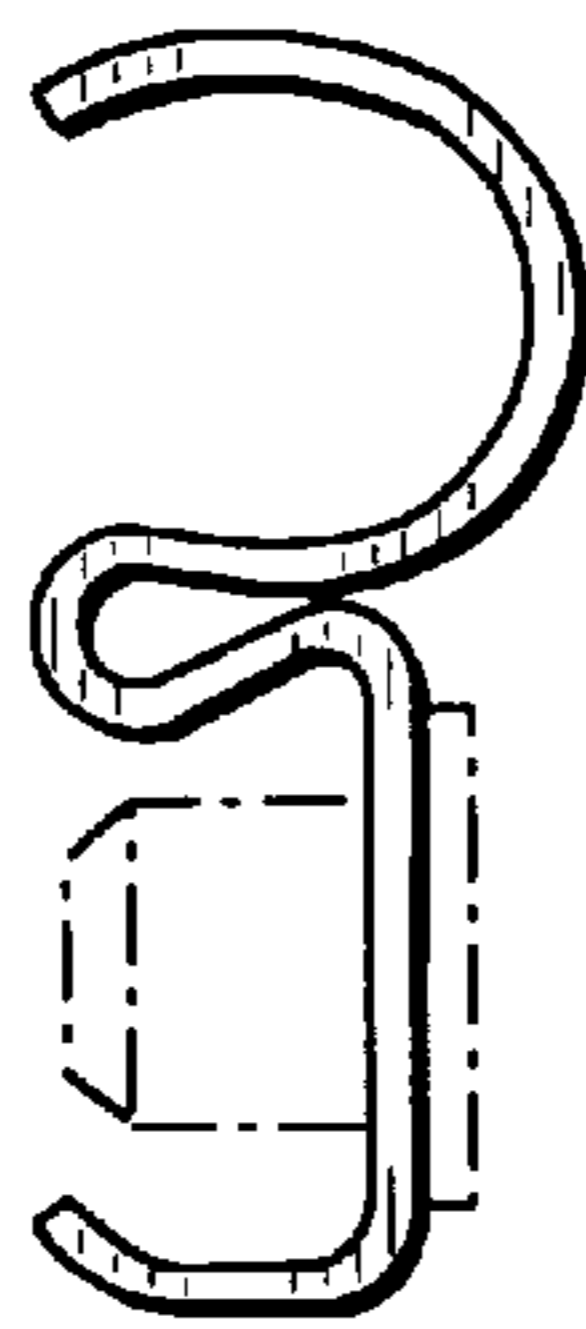


FIG. 3

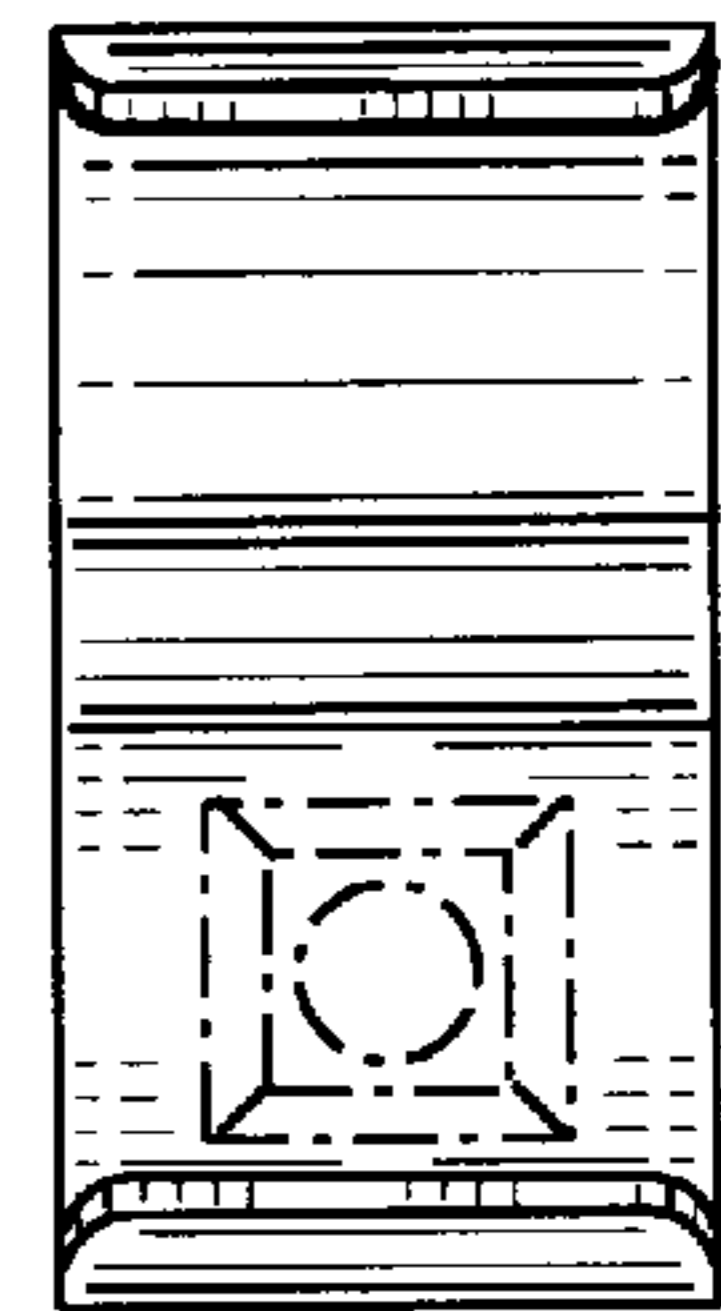


FIG. 4

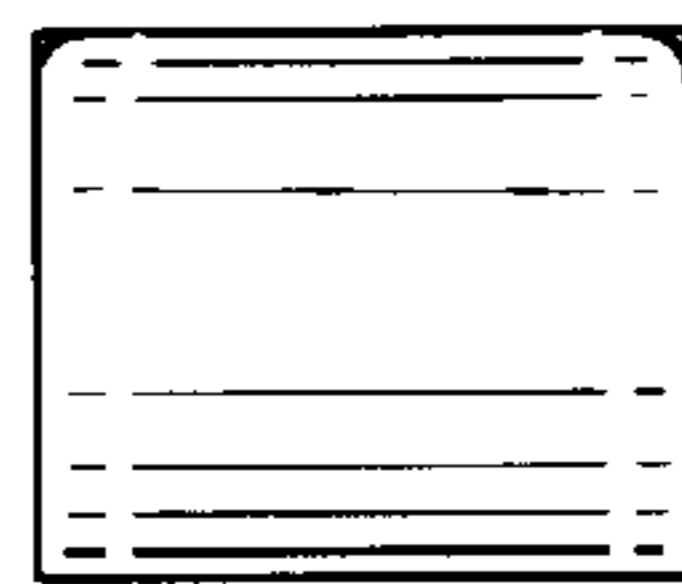


FIG. 5



FIG. 6