



US00D486712S

(12) **United States Design Patent**
Yao

(10) **Patent No.:** **US D486,712 S**

(45) **Date of Patent:** **** Feb. 17, 2004**

(54) **NAILER**

(75) **Inventor:** **Jerry Yao, Taichung (TW)**

(73) **Assignee:** **Bentley Fastening Tools Co., Ltd.,
Taichung (TW)**

(**) **Term:** **14 Years**

(21) **Appl. No.:** **29/173,074**

(22) **Filed:** **Dec. 23, 2002**

(51) **LOC (7) Cl.** **08-05**

(52) **U.S. Cl.** **D8/68**

(58) **Field of Search** D8/61, 62, 63,
D8/64, 65, 66, 67, 68, 69, 70; 81/57.11,
429, 464, 465, 466, 469, 489; 173/13, 169,
178, 213, 217; 227/8, 114, 120, 130, 136,
142; 310/50; 408/20, 124, 125, 234, 241 R;
451/358

(56) **References Cited**

U.S. PATENT DOCUMENTS

D332,561 S	*	1/1993	Fushiya et al.	D8/69
D334,329 S	*	3/1993	Ogawa et al.	D8/69
D338,606 S	*	8/1993	Oda	D8/69
D358,749 S	*	5/1995	Matsunaga et al.	D8/69
D392,170 S	*	3/1998	Hattori	D8/68
5,816,469 A	*	10/1998	Ohuchi	227/120
D403,938 S	*	1/1999	Matsuoka et al.	D8/68
D416,182 S	*	11/1999	Kaiser et al.	D8/69
D420,878 S	*	2/2000	Li	D8/69

D435,770 S	*	1/2001	Arai	D8/68
6,186,386 B1	*	2/2001	Canlas et al.	227/8
6,189,759 B1	*	2/2001	Canlas et al.	227/120
6,199,739 B1	*	3/2001	Mukoyama et al.	227/120
D447,031 S	*	8/2001	Oh	D8/63
6,290,115 B1	*	9/2001	Chen	227/120
6,371,348 B1	*	4/2002	Canlas et al.	227/8
D458,525 S	*	6/2002	Buck	D8/68
D461,694 S	*	8/2002	Buck	D8/68
6,431,429 B1	*	8/2002	Canlas et al.	227/130
6,450,387 B1	*	9/2002	Chen	227/130
6,494,355 B2	*	12/2002	Adachi et al.	227/120
6,502,737 B2	*	1/2003	Akiba	227/120
D472,780 S	*	4/2003	Matsuoka et al.	D8/68

* cited by examiner

Primary Examiner—Robert M. Spear

Assistant Examiner—T. Chase Nelson

(74) *Attorney, Agent, or Firm*—Troxell Law Office PLLC

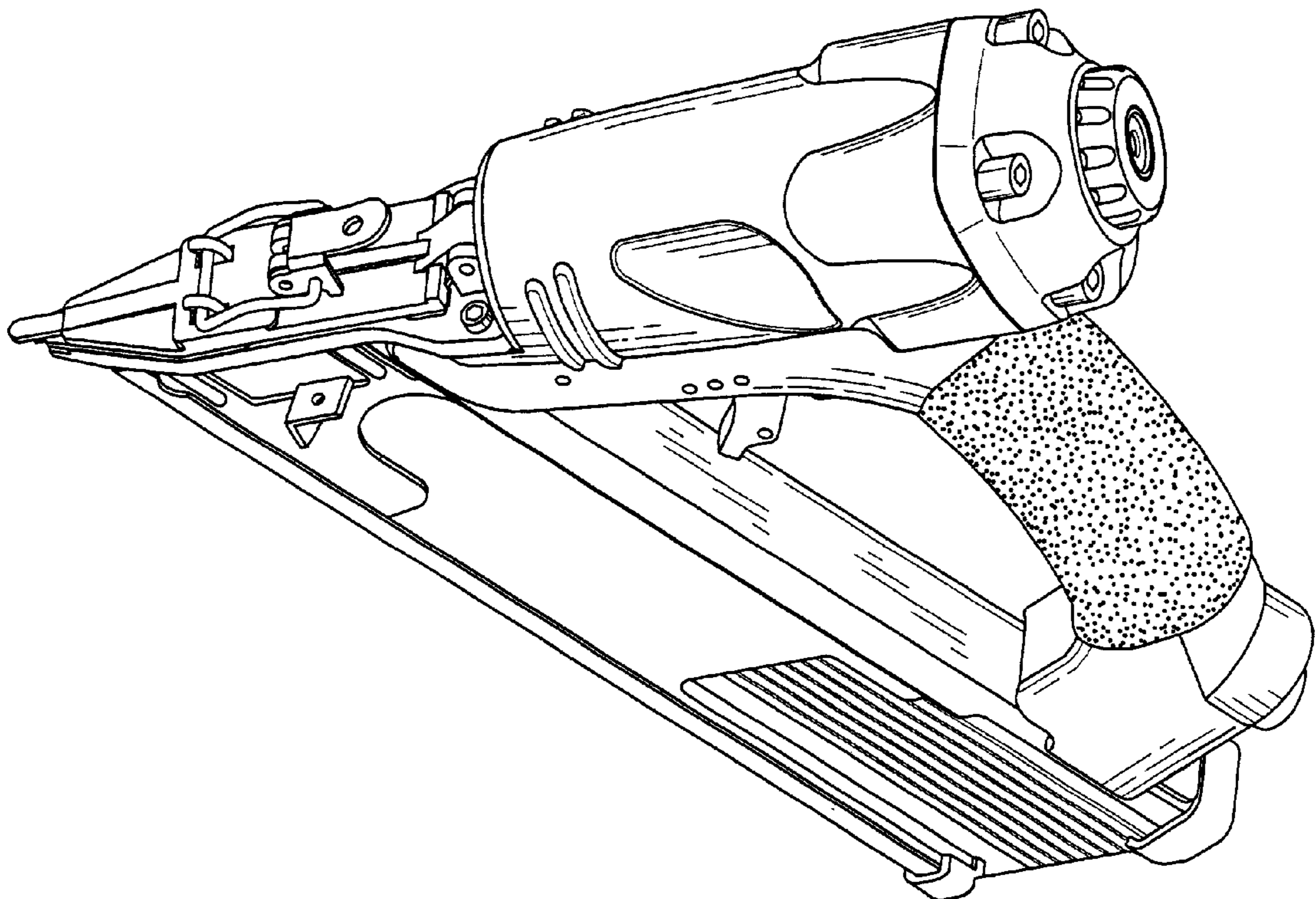
(57) **CLAIM**

The ornamental design for a nailer, as shown and described.

DESCRIPTION

FIG. 1 is a perspective view of a nailer in the present design; FIG. 2 is a front view of a nailer in the present design; FIG. 3 is a rear view of a nailer in the present design; FIG. 4 is a left view of a nailer in the present design; FIG. 5 is a right view of a nailer in the present design; FIG. 6 is a top view of a nailer in the present design; and, FIG. 7 is a bottom view of a nailer in the present design.

1 Claim, 5 Drawing Sheets



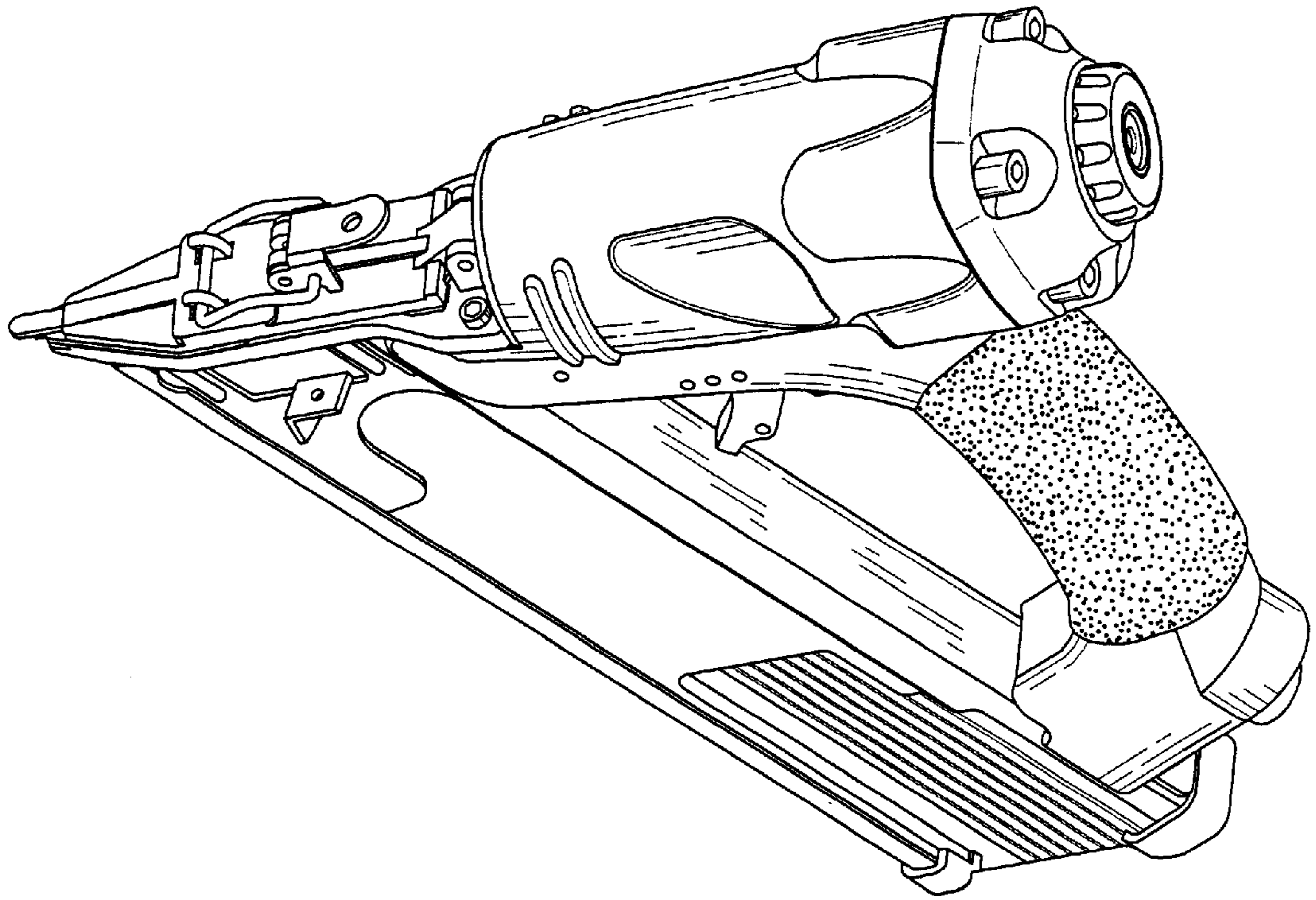


FIG. 1

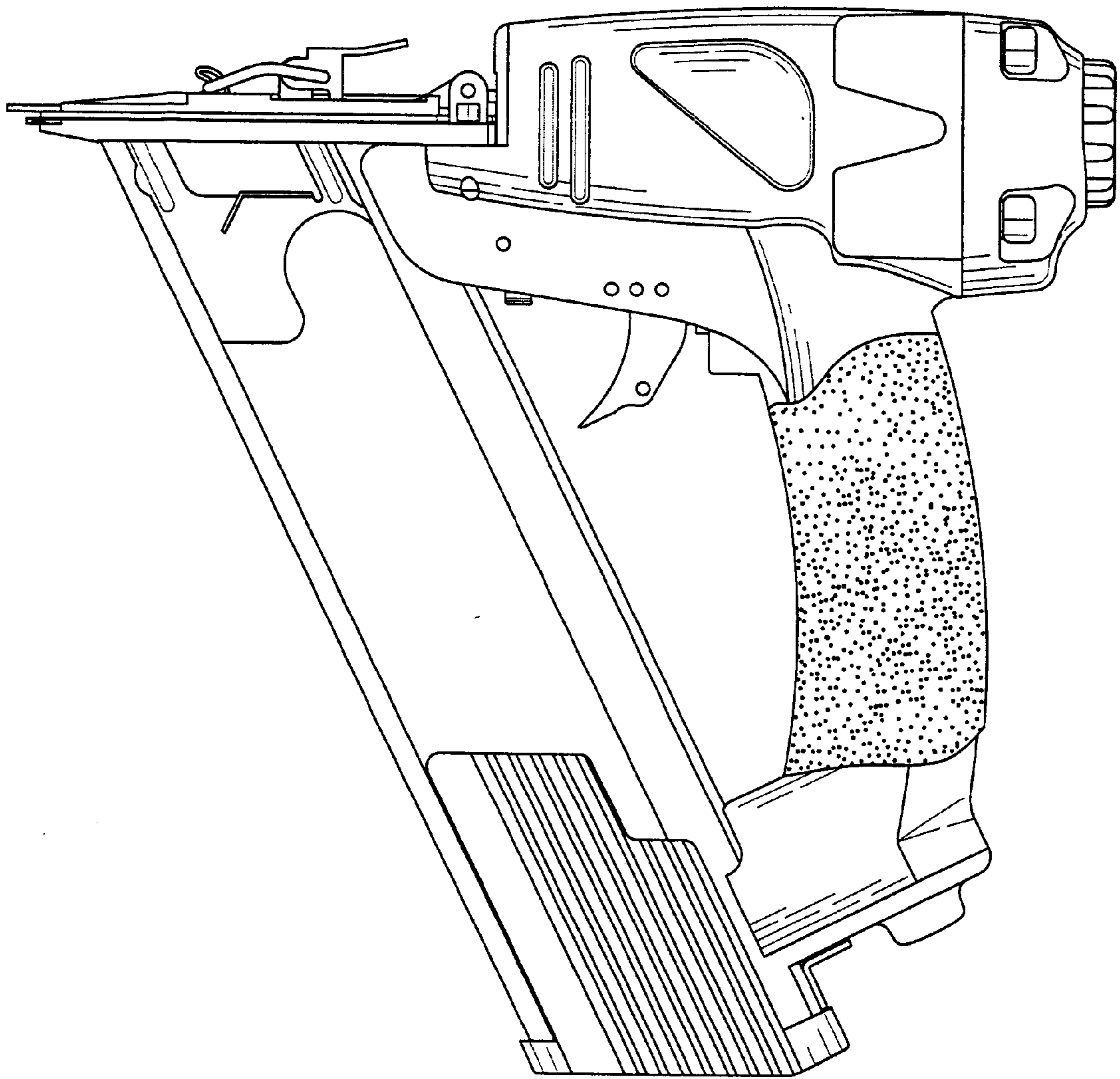


FIG. 2

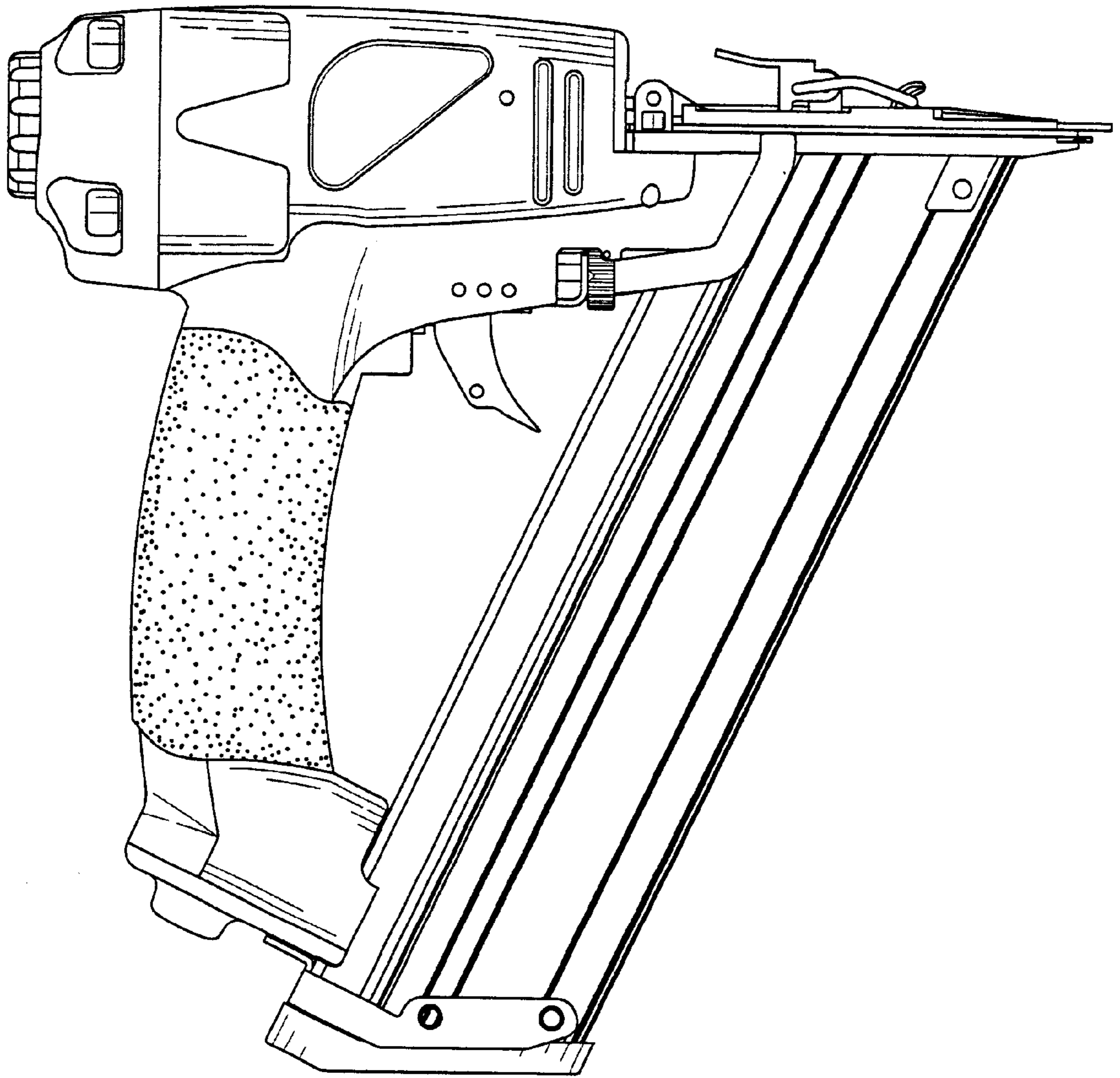


FIG. 3

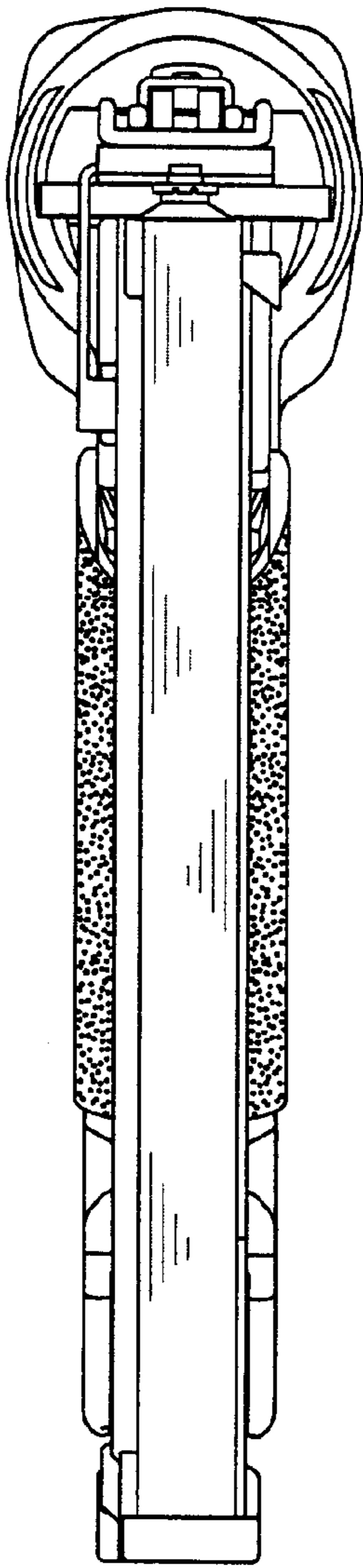


FIG. 4

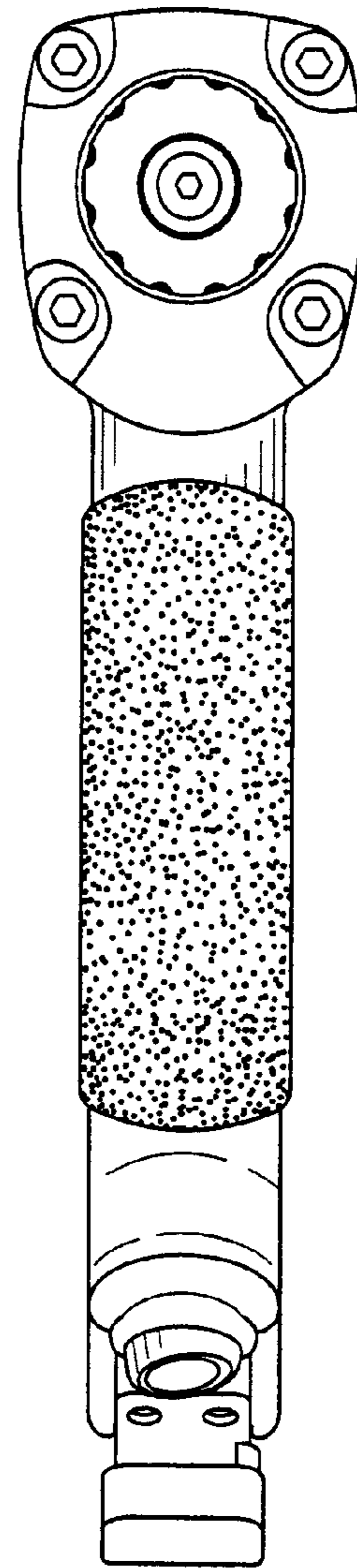


FIG. 5

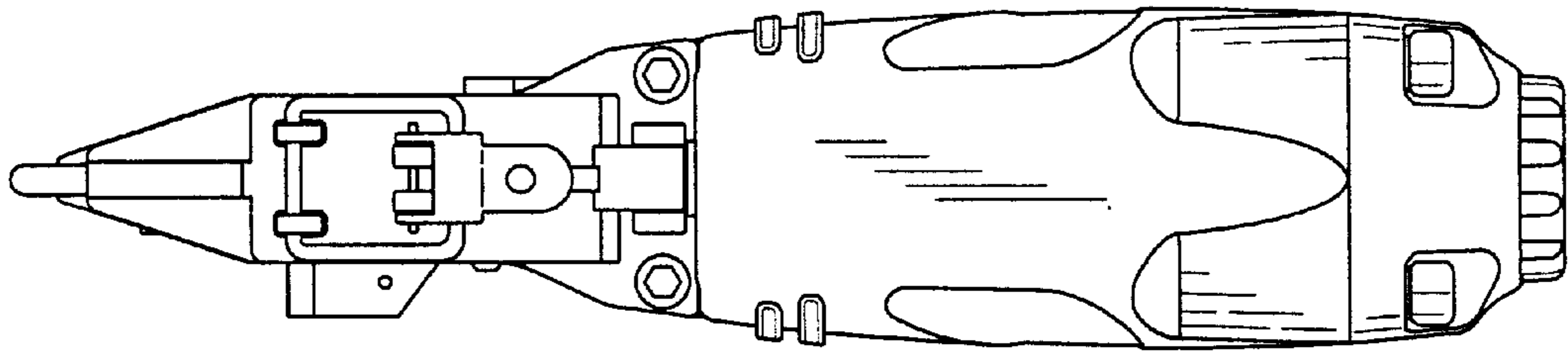


FIG. 6

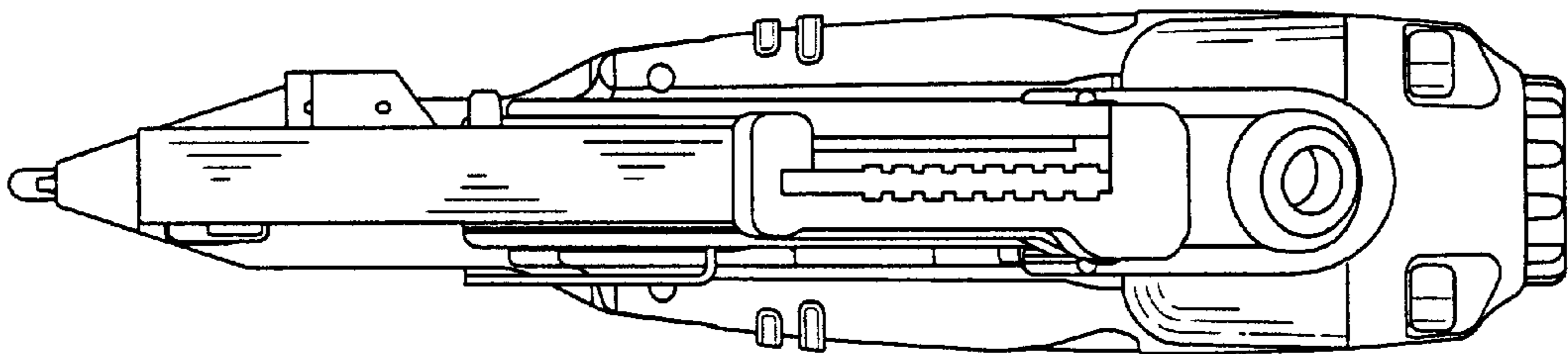


FIG. 7