



US00D486711S

(12) **United States Design Patent**
Tam et al.

(10) **Patent No.: US D486,711 S**

(45) **Date of Patent: ** Feb. 17, 2004**

(54) **JIGSAW WITH VACUUM PORT**

(75) Inventors: **Ramon Tam**, Chicago, IL (US); **Jaime Moreno**, Wheeling, IL (US); **Marcus Burzynski**, Glendale Heights, IL (US); **Jason Schickerling**, Mount Prospect, IL (US); **Christopher Weiland**, Glenview, IL (US); **Frank Sterpka**, Hartford, CT (US)

(73) Assignee: **Credo Technology Corporation**, Broadview, IL (US)

(**) Term: **14 Years**

(21) Appl. No.: **29/178,532**

(22) Filed: **Mar. 27, 2003**

(51) **LOC (7) Cl. 08-03**

(52) **U.S. Cl. D8/64**

(58) **Field of Search** D8/61, 64, 67, D8/69, 70; D24/146; 30/373, 374, 375, 376, 377, 388, 389, 390, 391, 392, 393, 394; 83/699.21; 173/170

(56) **References Cited**

U.S. PATENT DOCUMENTS

3,260,290	A	*	7/1966	Happe et al.	30/375
3,863,342	A	*	2/1975	Griffies et al.	30/393
D262,472	S	*	12/1981	Wildman	D8/64
D282,625	S	*	2/1986	Schultz et al.	D8/64
4,693,009	A	*	9/1987	Bone	30/392
D297,208	S	*	8/1988	Somers	D8/64
4,870,755	A	*	10/1989	Schnizler	30/123.3
5,205,043	A	*	4/1993	Batt et al.	30/393
D337,709	S	*	7/1993	Ogawa et al.	D8/64
D339,276	S	*	9/1993	Matsuoka et al.	D8/64
D362,783	S	*	10/1995	Cruz	D7/379
5,535,520	A	*	7/1996	Armstrong	30/375
5,634,277	A	*	6/1997	Wada et al.	30/392
D404,274	S	*	1/1999	Ogasawara et al.	D8/64
D409,469	S	*	5/1999	Niwa et al.	D8/69

D414,094	S	*	9/1999	Heun	D8/64
5,987,758	A	*	11/1999	McCurry et al.	30/392
D418,010	S	*	12/1999	Chan	D7/379
D420,876	S	*	2/2000	Bosten et al.	D8/64
D423,314	S	*	4/2000	Robson	D8/64
D430,774	S	*	9/2000	Naft et al.	D7/379
D440,474	S	*	4/2001	Heun	D8/64
D451,356	S	*	12/2001	Pretzell	D8/64
D463,963	S		10/2002	Metaxatos et al.	
D474,384	S	*	5/2003	Andriolo	D8/64
D475,264	S	*	6/2003	Kondo et al.	D8/64
D476,871	S	*	7/2003	Santarsiero et al.	D8/64

OTHER PUBLICATIONS

Skil® Model No. 4380-02 Jigsaw: 1 page with photo prepared from product sample. This product corresponds to U.S. D463,963.

* cited by examiner

Primary Examiner—Doris V. Coles

Assistant Examiner—Elizabeth A. Albert

(74) *Attorney, Agent, or Firm*—Victor A. Henzi

(57) **CLAIM**

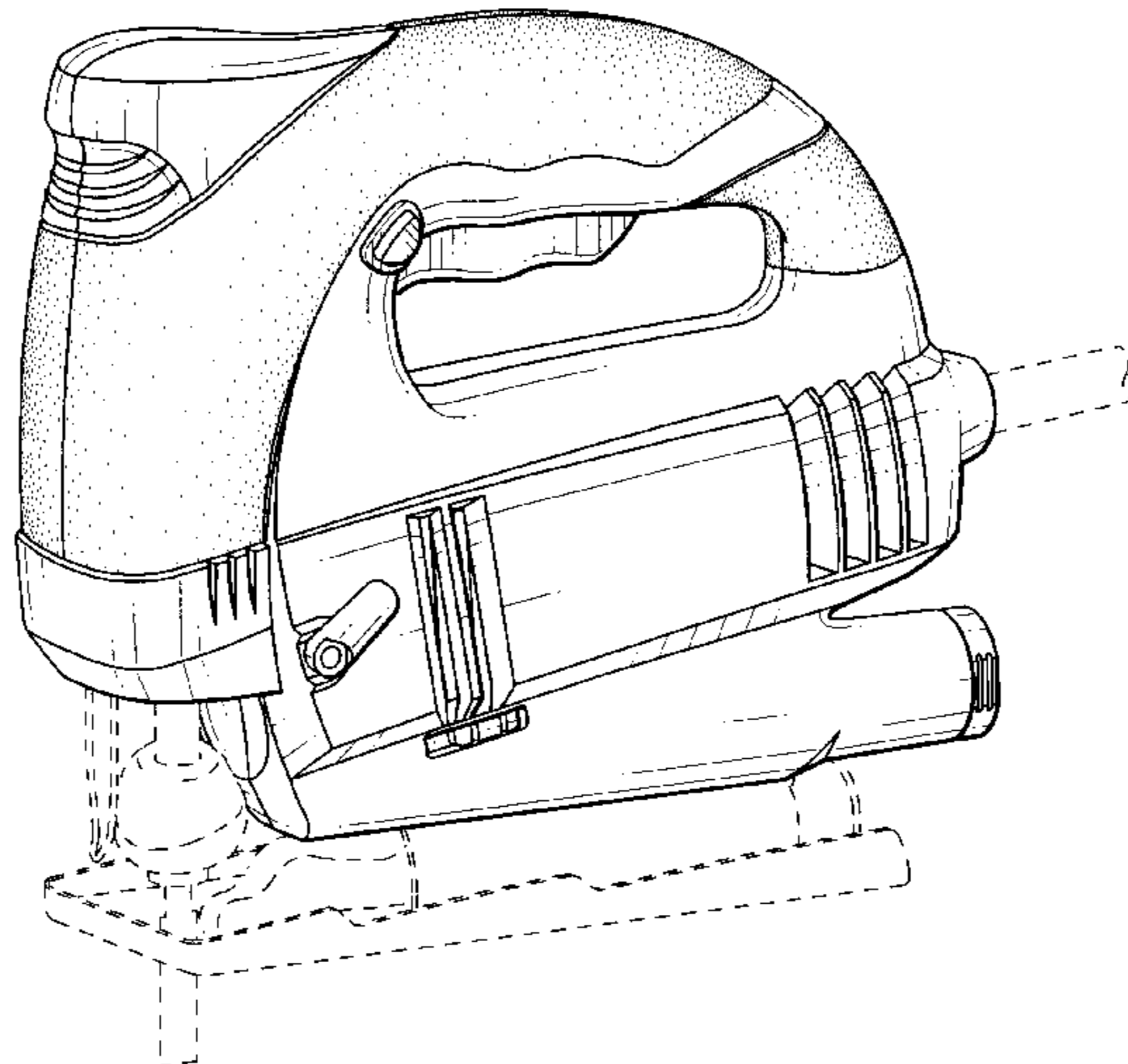
The ornamental design for a jigsaw with vacuum port, as shown and described.

DESCRIPTION

FIG. 1 is a front left perspective view of the present new design for a jigsaw with vacuum port; FIG. 2 is a left side view thereof; FIG. 3 is a right side view thereof; FIG. 4 is a front view thereof; FIG. 5 is a rear view thereof; FIG. 6 is top view thereof; and, FIG. 7 is a bottom view thereof.

The broken lines showing various features of a jigsaw with vacuum port are for illustrative purposes only and form no part of the claimed design.

1 Claim, 5 Drawing Sheets



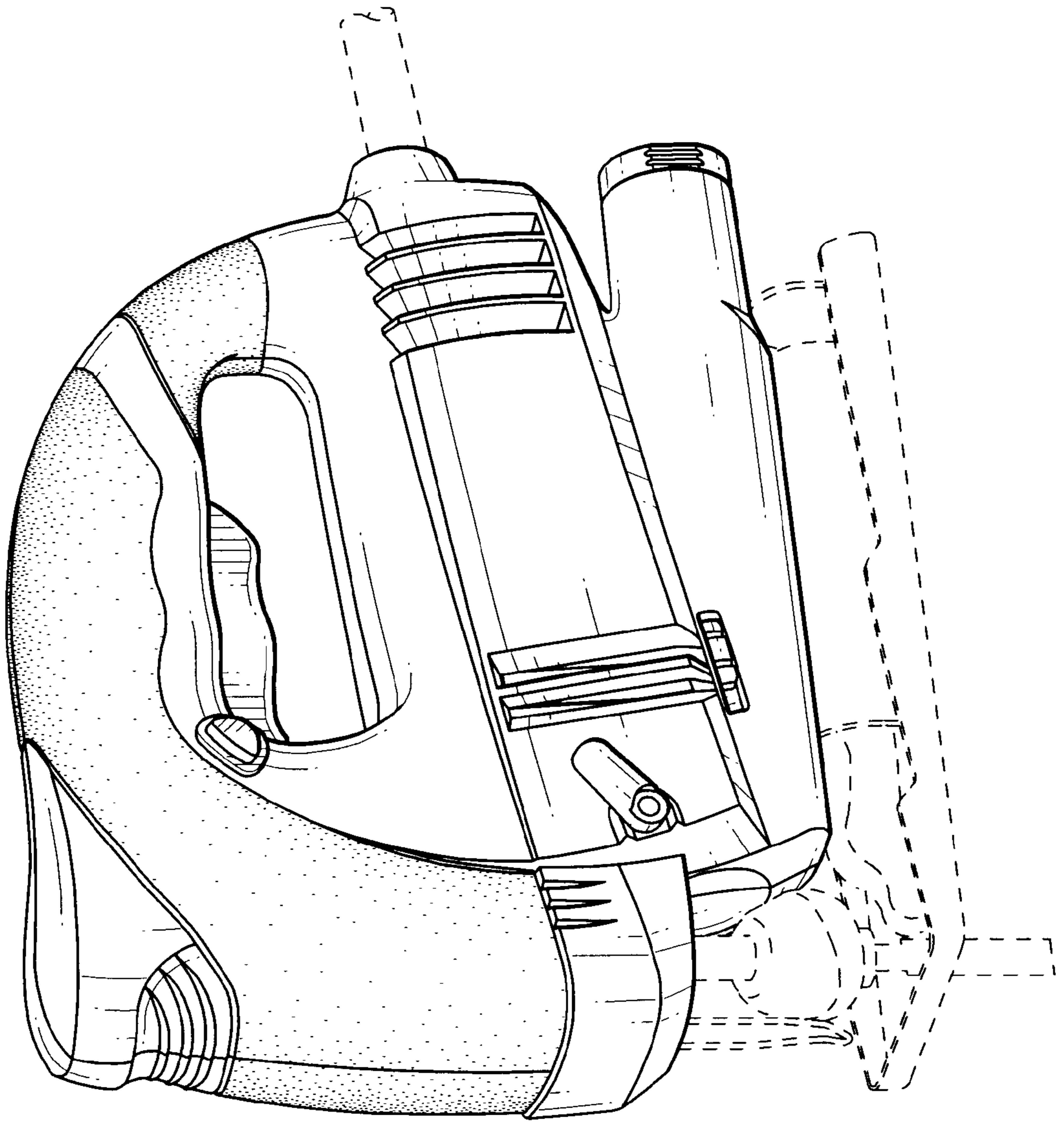


FIG. 1

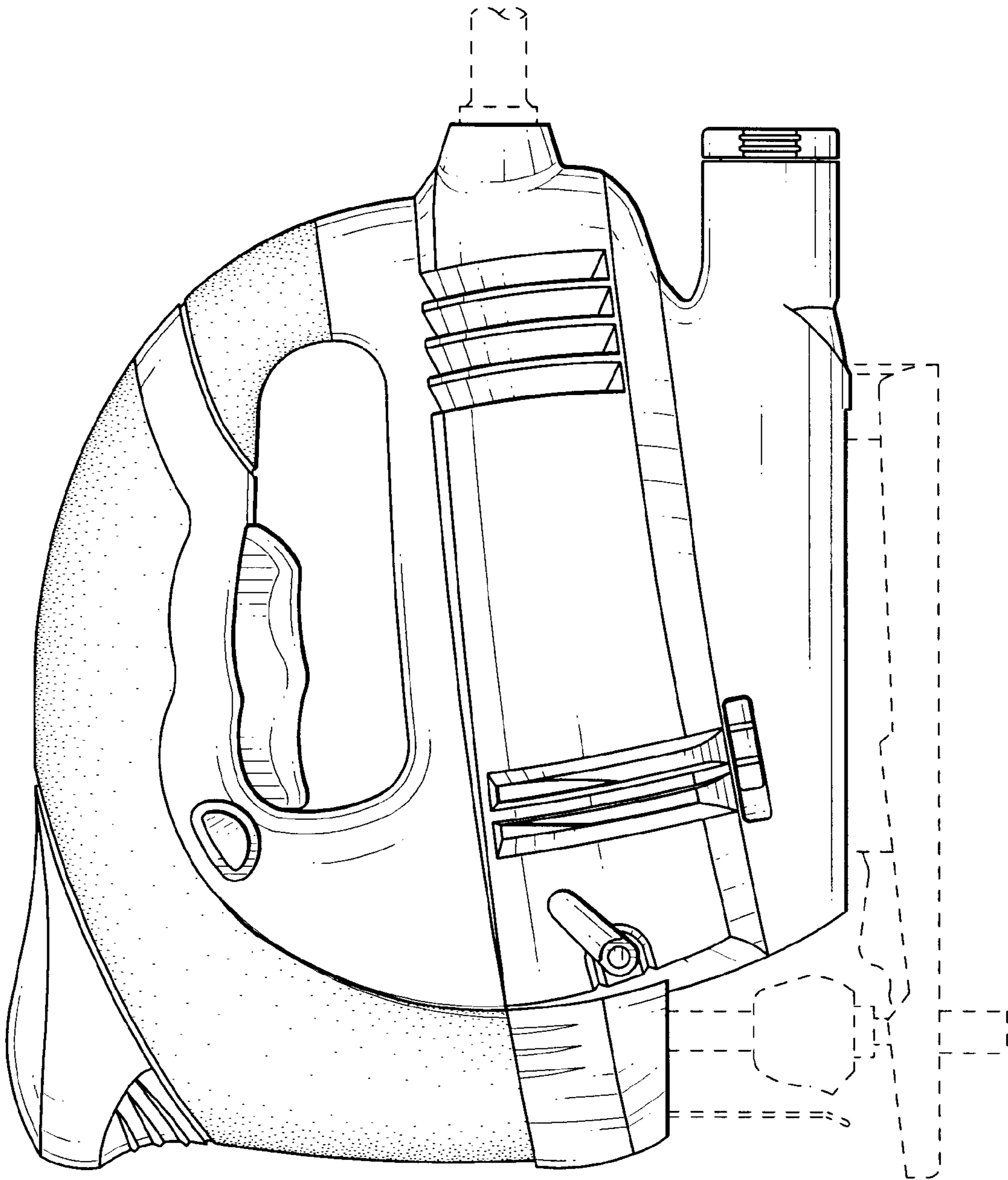
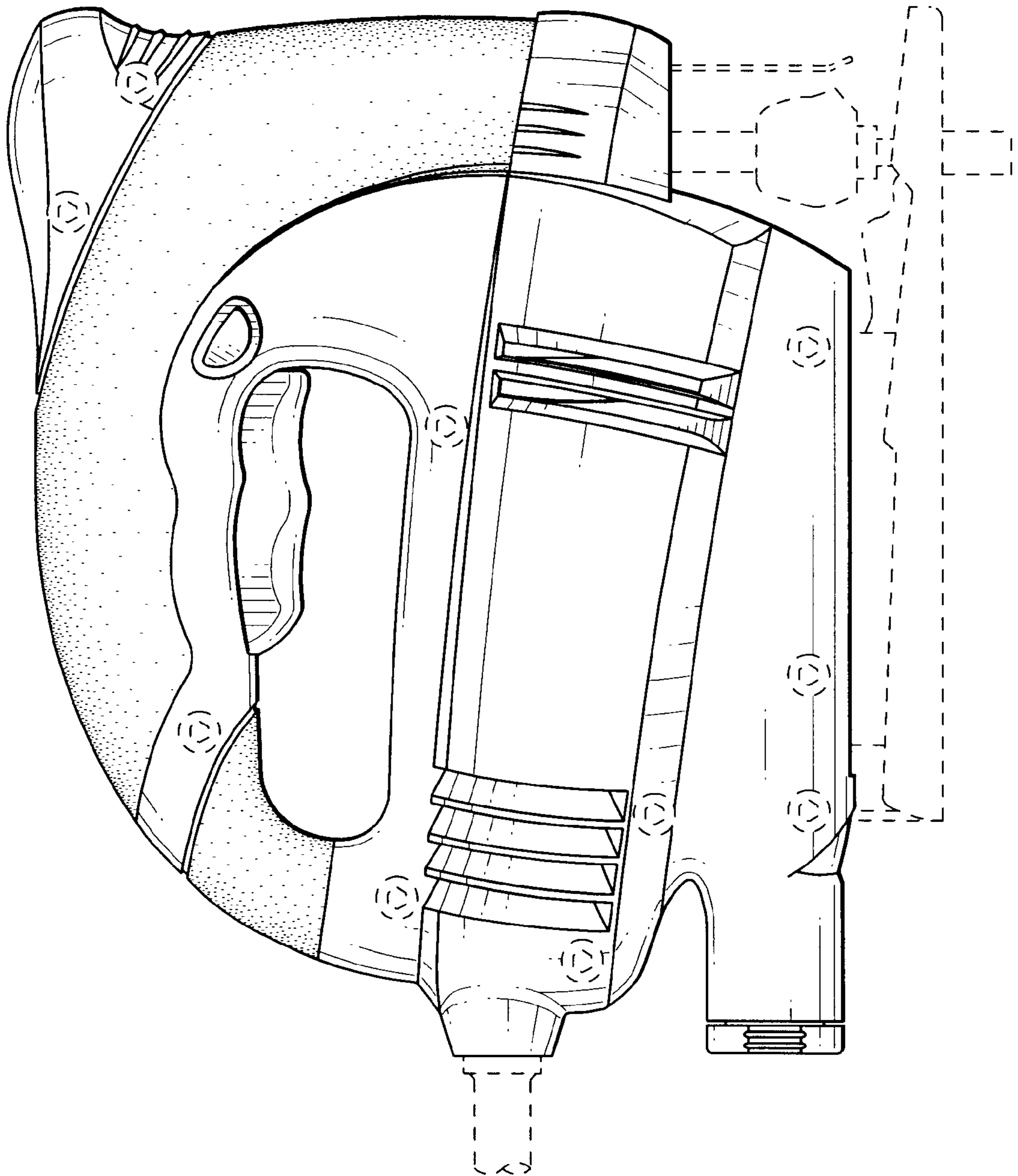


FIG. 2

FIG. 3



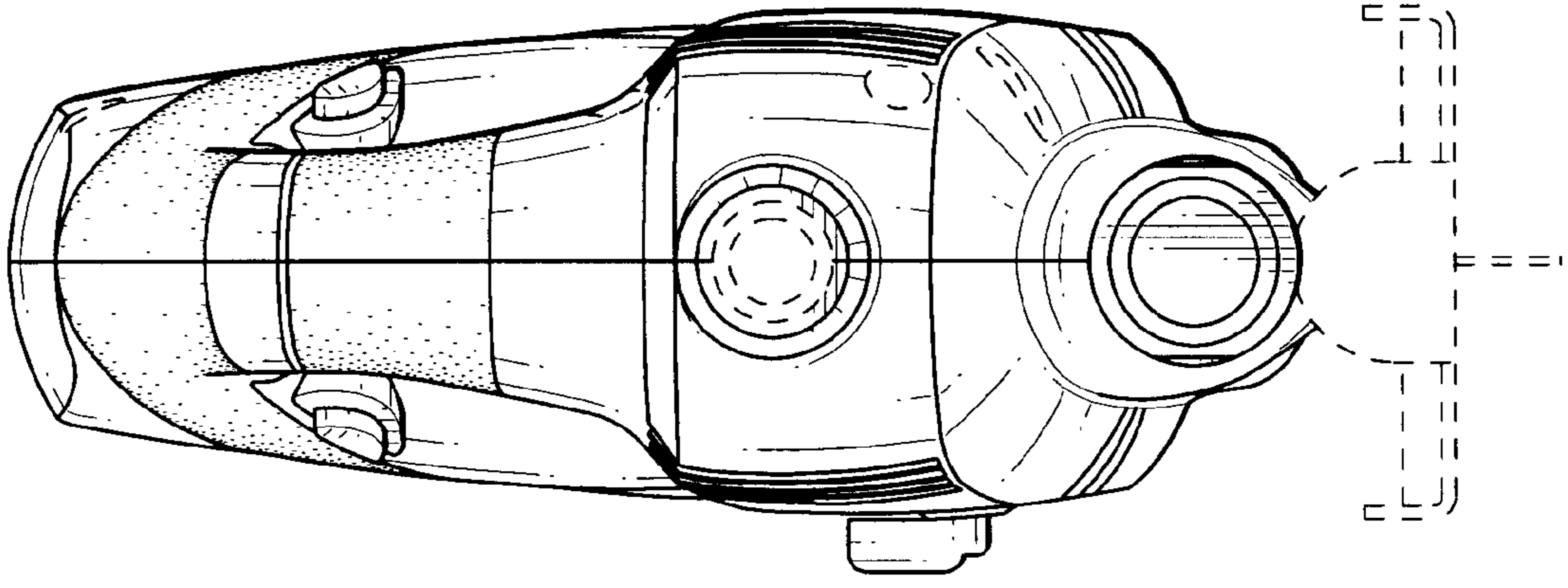


FIG. 5

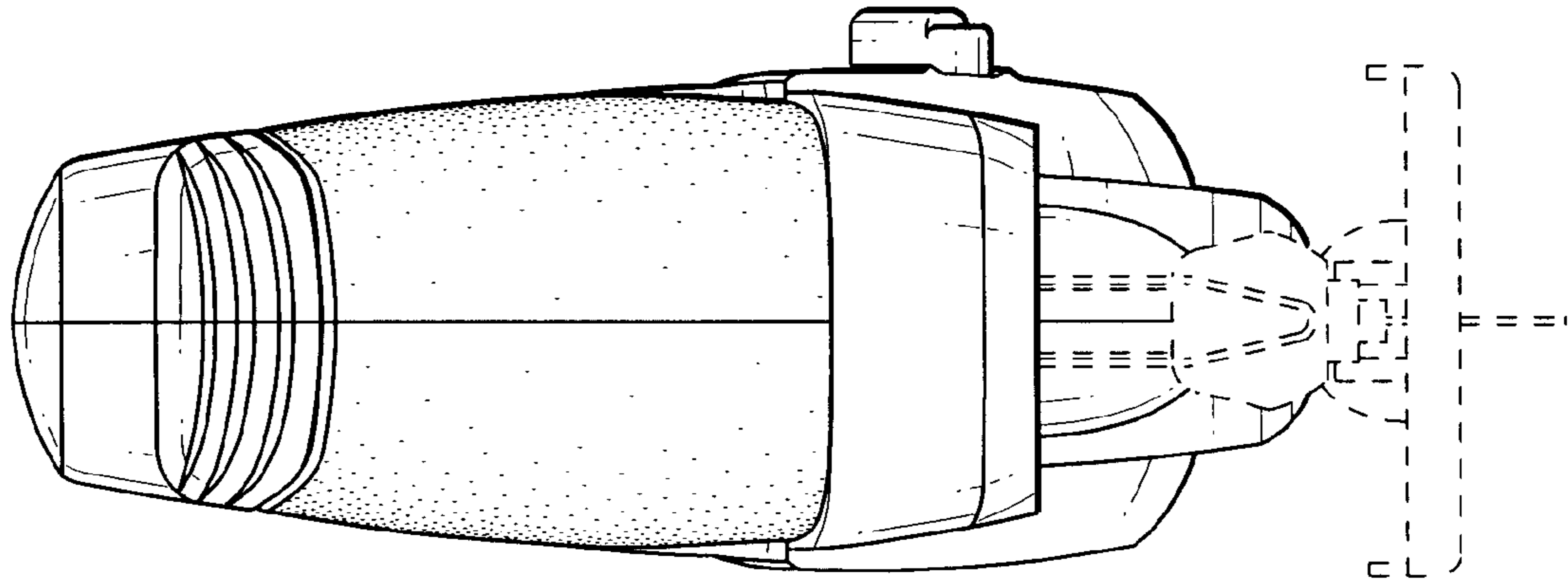


FIG. 4

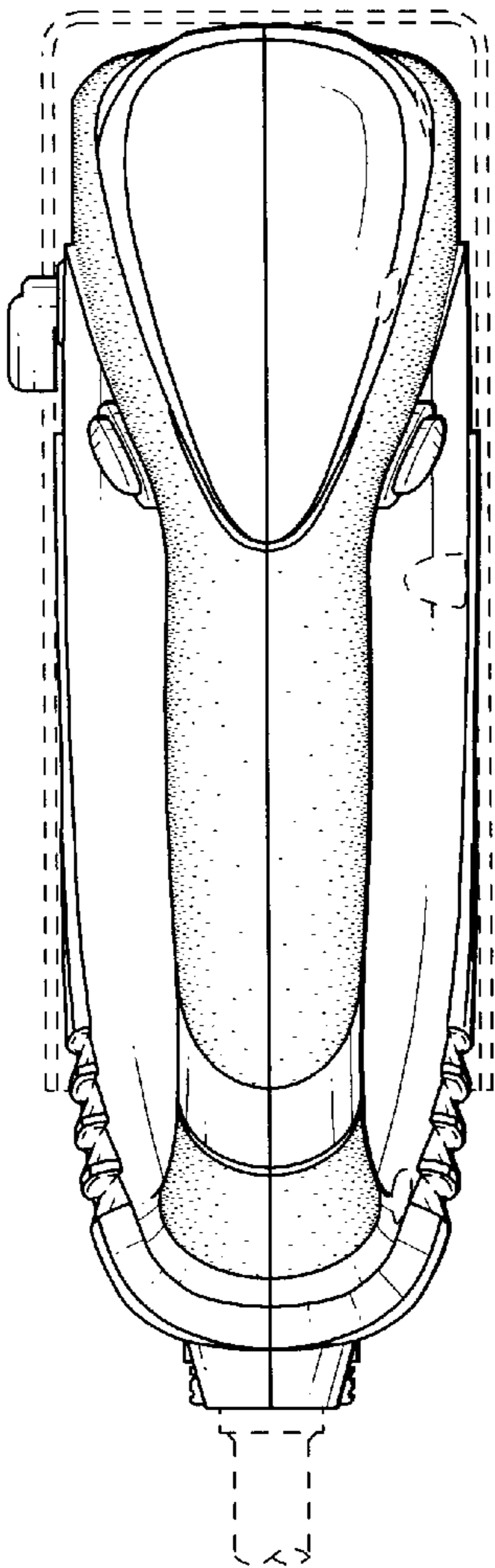


FIG. 6

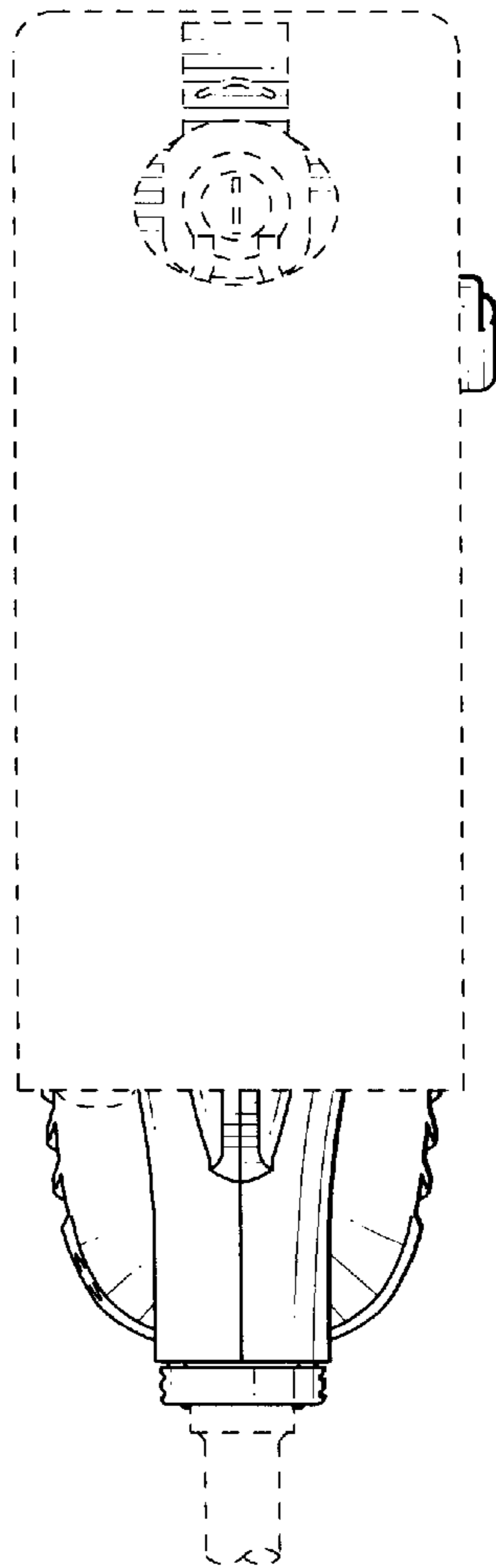


FIG. 7