



US00D486710S

(12) **United States Design Patent**
Whitney

(10) **Patent No.:** **US D486,710 S**

(45) **Date of Patent:** **** Feb. 17, 2004**

(54) **LIFTING DEVICE**

(76) Inventor: **Denzil E. Whitney**, 643 Rio Vista,
Napa, CA (US) 94558

(**) Term: **14 Years**

(21) Appl. No.: **29/166,915**

(22) Filed: **Sep. 4, 2002**

(51) **LOC (7) Cl.** **08-05**

(52) **U.S. Cl.** **D8/51**

(58) **Field of Search** D34/28; D8/14,
D8/51, 71-74, 107; D9/434; 294/15, 16,
22, 28, 50.9

(56) **References Cited**

U.S. PATENT DOCUMENTS

2,404,224	A	*	7/1946	Fink	294/28
3,367,703	A	*	2/1968	Pittis	294/16
4,809,399	A	*	3/1989	Hersker	16/8
4,965,958	A	*	10/1990	Cedergreen et al.	43/55
D333,901	S	*	3/1993	Swartz	D34/28
5,871,242	A		2/1999	Whitney		
D443,489	S	*	6/2001	Walser	D8/51
D458,827	S	*	6/2002	Liversidge	D8/98

D459,047 S * 6/2002 Tanaka D34/28
D472,030 S * 3/2003 Lee D34/33

* cited by examiner

Primary Examiner—Cynthia E. Ramirez
(74) *Attorney, Agent, or Firm*—Coudert Brothers LLP

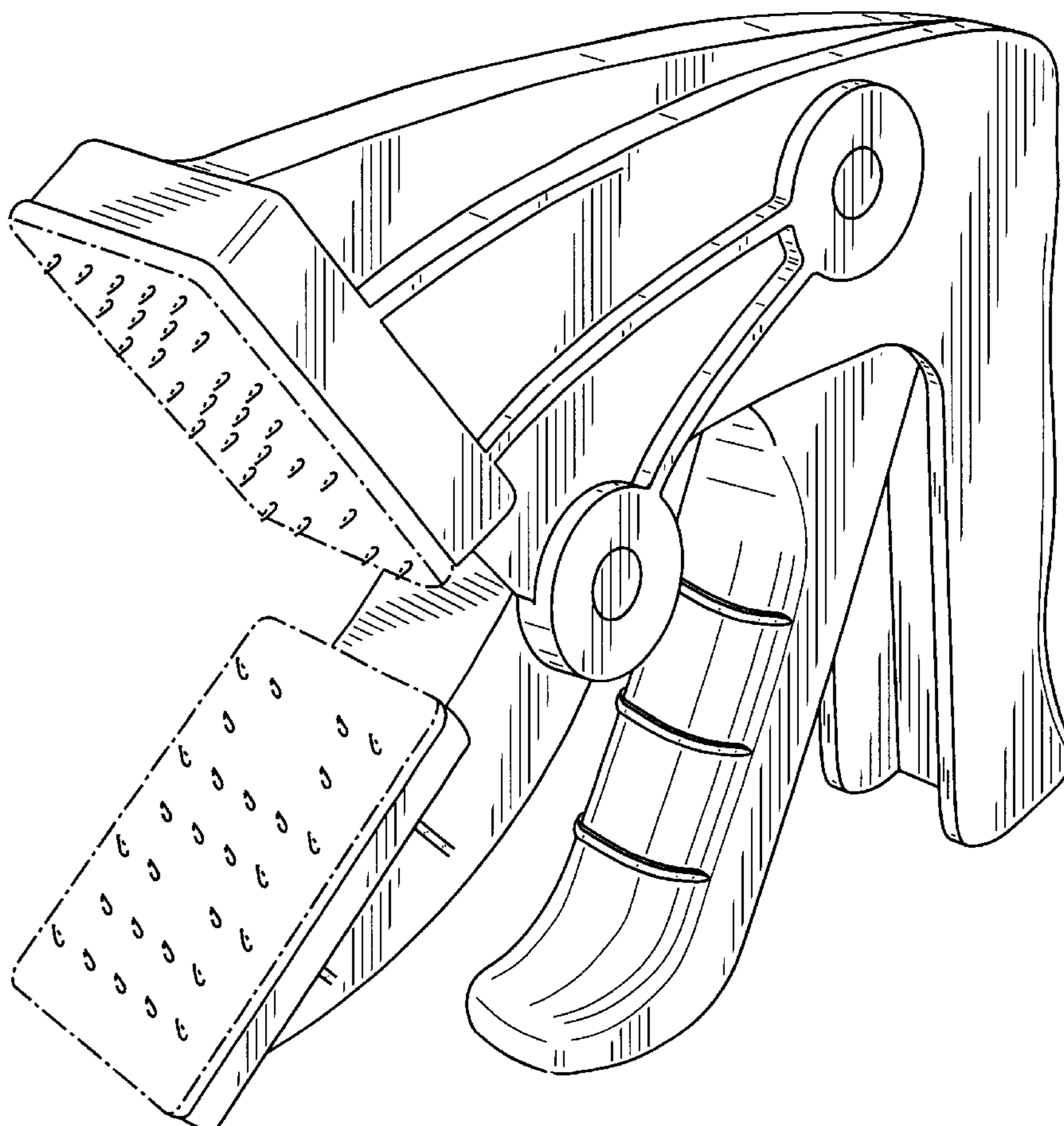
(57) **CLAIM**

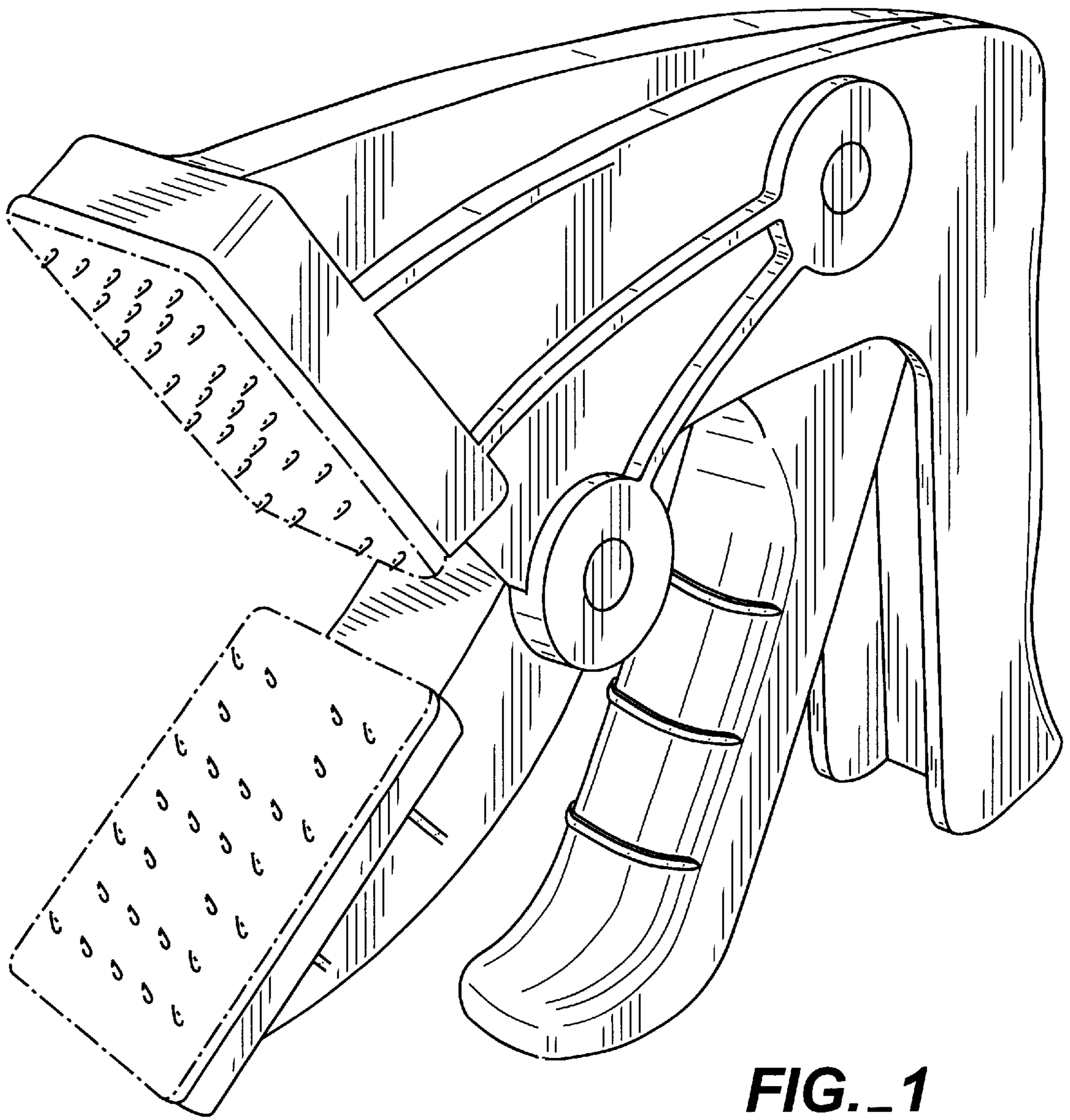
I claim the ornamental design for a lifting device, as shown and described.

DESCRIPTION

FIG. 1 is an upper right front perspective view of a lifting device showing my new design;
FIG. 2 is a upper right front perspective view of a lifting device with the unclaimed portion removed;
FIG. 3 is a front elevational view thereof;
FIG. 4 is a left side elevational view of the lifting device, the other side being a mirror image thereof;
FIG. 5 is a rear elevational view thereof;
FIG. 6 is a top plan view thereof; and,
FIG. 7 is a bottom plan view thereof.
The broken lines in FIGS. 1 and 4 are for illustrative purposes only and form no part of the claimed design.

1 Claim, 4 Drawing Sheets





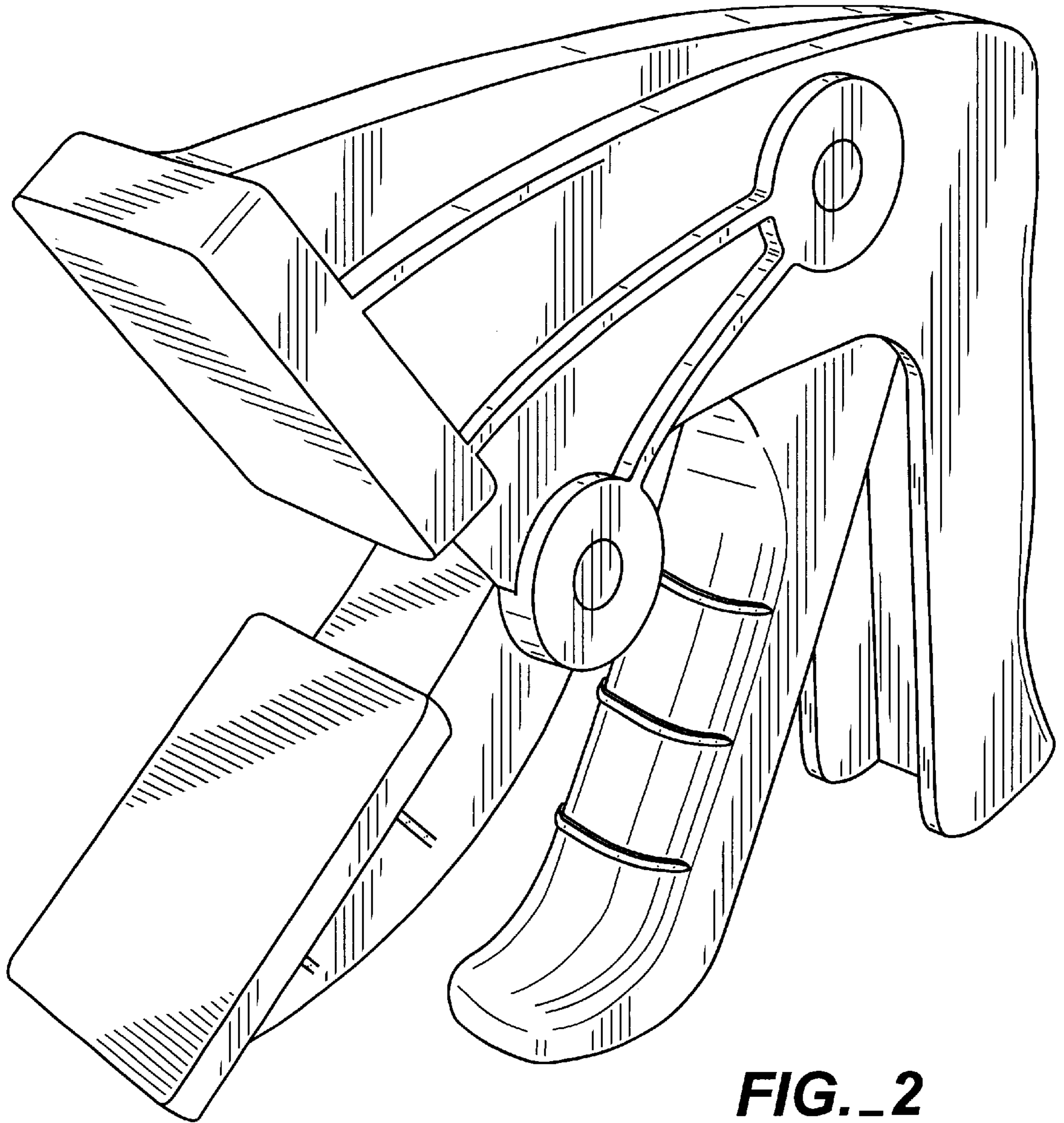


FIG. 2

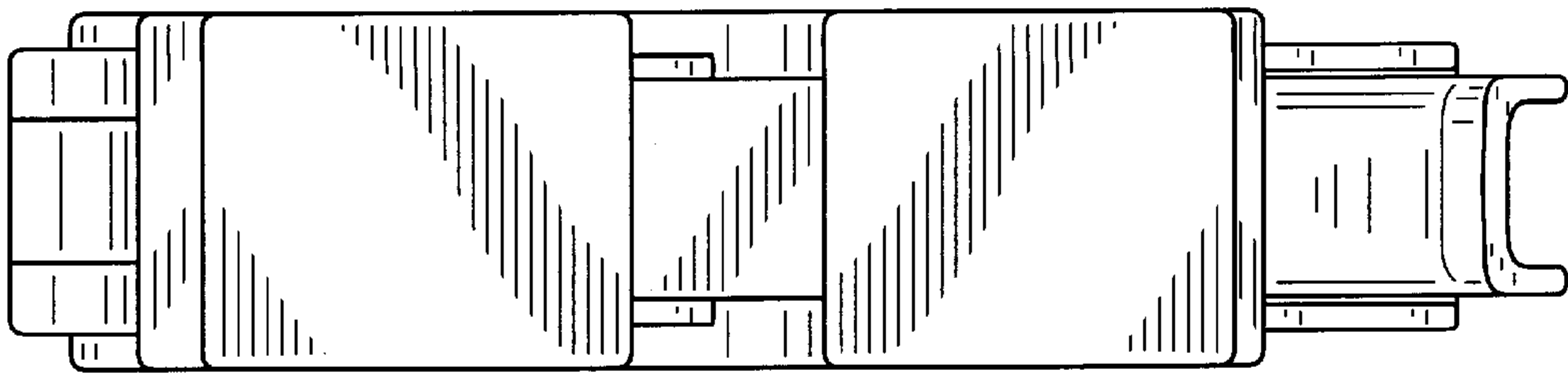


FIG. 3

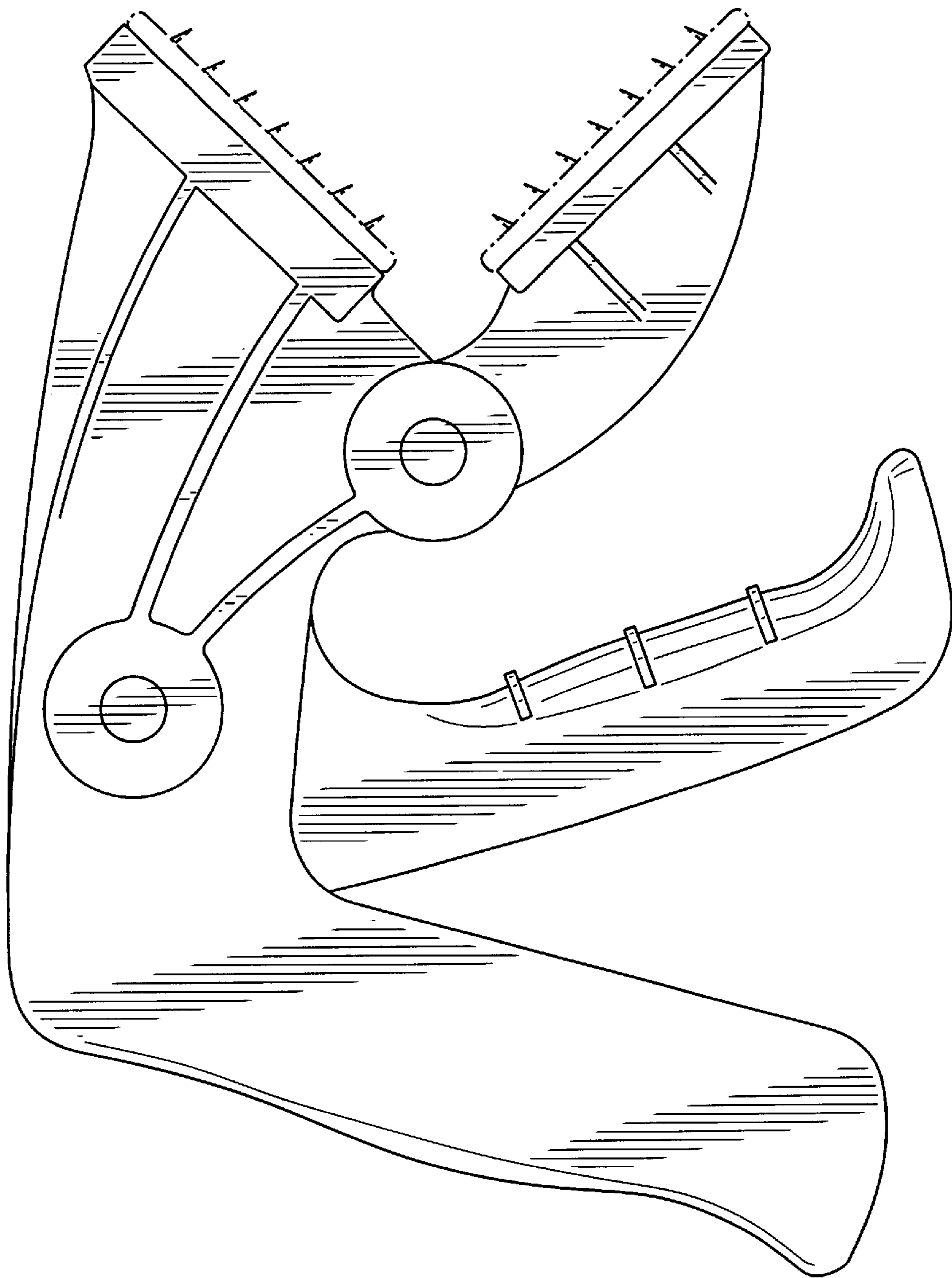


FIG. 4

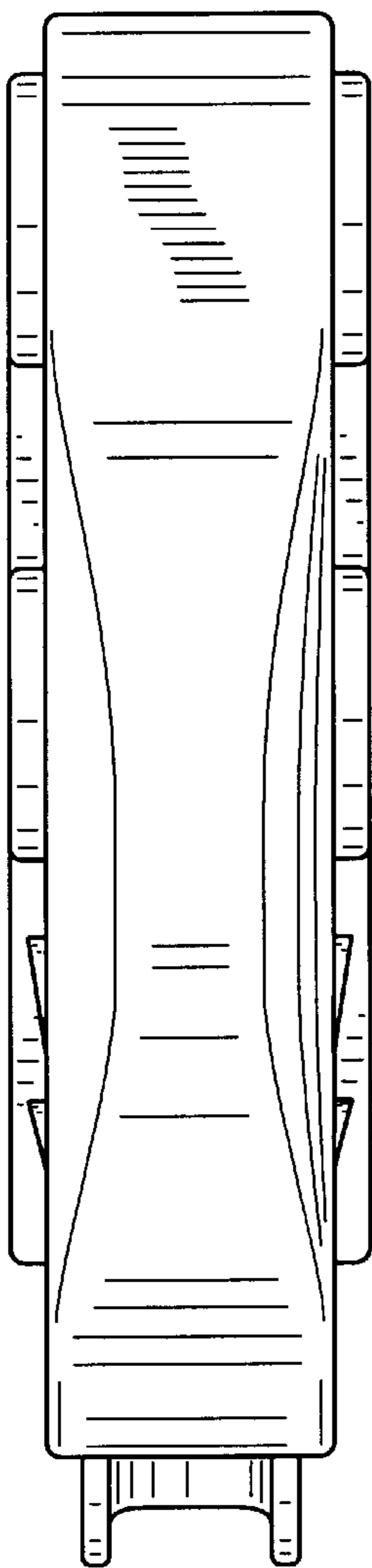


FIG._5

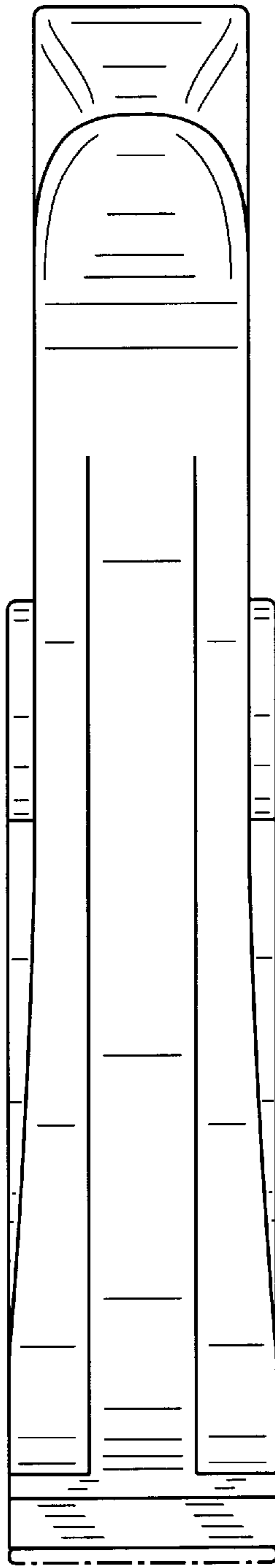


FIG._6

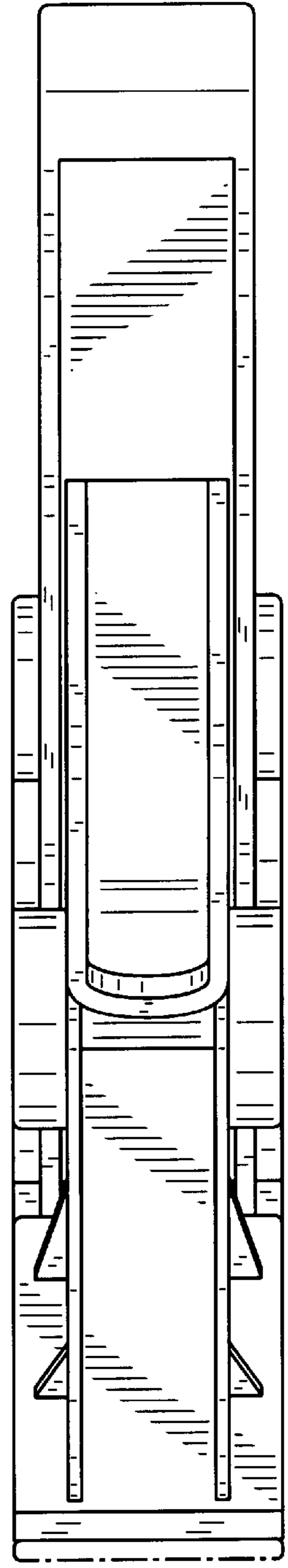


FIG._7