



US00D486707S

(12) **United States Design Patent**  
**Altman**

(10) **Patent No.:** **US D486,707 S**

(45) **Date of Patent:** **\*\* Feb. 17, 2004**

(54) **CURVED DOUBLE-CHANNEL PULLING DEVICE**

(76) **Inventor:** **Steve Altman**, 24432 Calle Tassjara, Murrieta, CA (US) 92562

(\*\*) **Term:** **14 Years**

(21) **Appl. No.:** **29/163,161**

(22) **Filed:** **Jun. 27, 2002**

(51) **LOC (7) Cl.** ..... **08-05**

(52) **U.S. Cl.** ..... **D8/19**

(58) **Field of Search** ..... D8/14, 16, 19, D8/71, 349, 354; D12/223; 29/244, 283.5; 72/446, 447, 450, 457, 458, 479, 705; 254/131, 133 R; 248/228.7, 231.81, 300; 280/480; 294/92, 132

(56) **References Cited**

**U.S. PATENT DOCUMENTS**

- 1,616,653 A \* 2/1927 Frasier et al. .... 72/458
- 3,452,575 A \* 7/1969 Williams et al. .... 72/447
- 3,760,625 A \* 9/1973 Archambault ..... 72/705
- 4,038,727 A \* 8/1977 Robbins ..... 24/461

- 4,107,974 A \* 8/1978 Kuhn ..... 72/357
- 5,044,191 A \* 9/1991 Combs ..... 72/705
- D340,226 S \* 10/1993 Sachs ..... D8/356
- 6,089,075 A \* 7/2000 Bramblett ..... 72/458

\* cited by examiner

*Primary Examiner*—Doris V. Coles

*Assistant Examiner*—Elizabeth A. Albert

(74) *Attorney, Agent, or Firm*—Gary L. Eastman, Esq.

(57) **CLAIM**

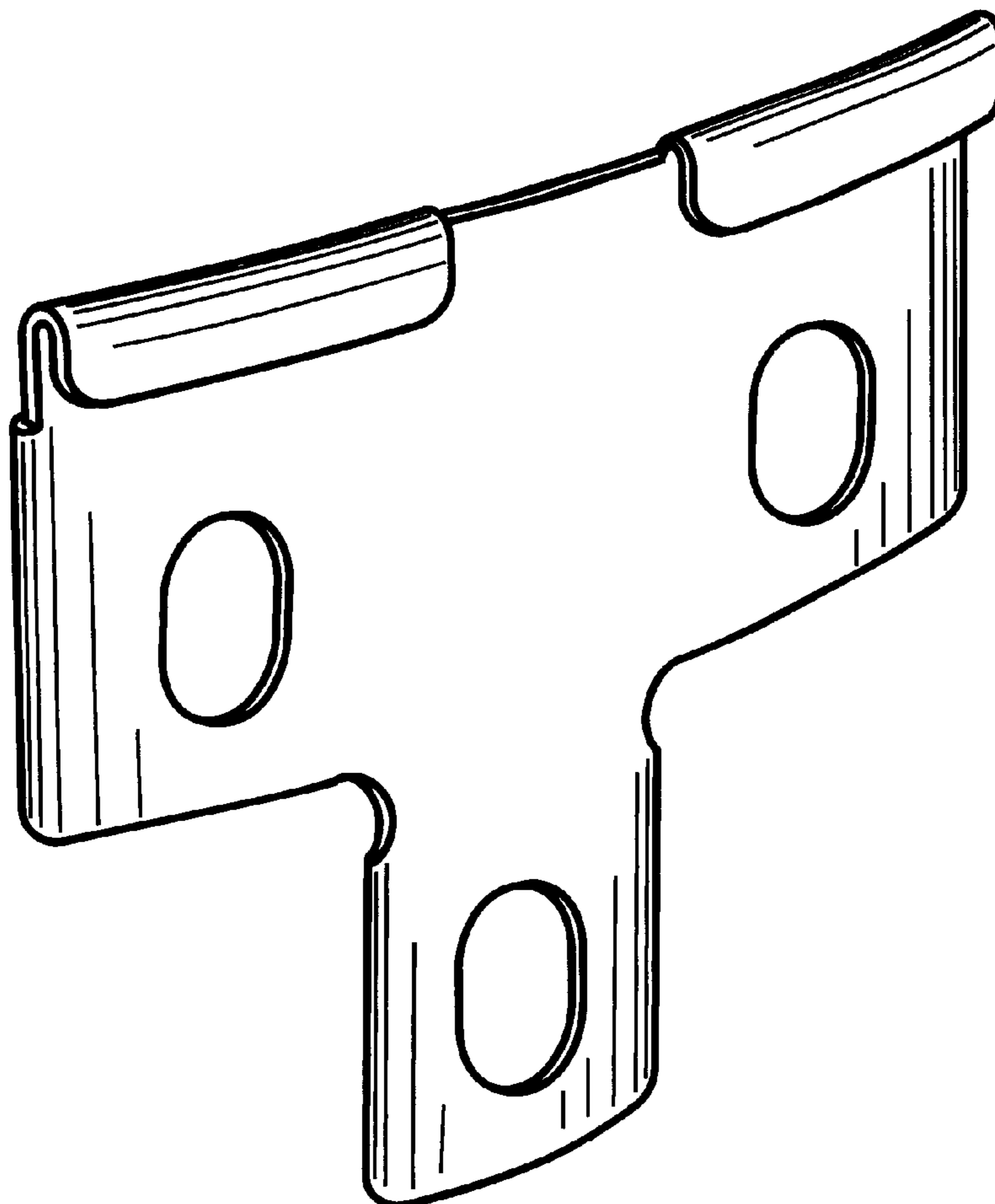
The ornamental design for a curved double-channel pulling device, as shown and described.

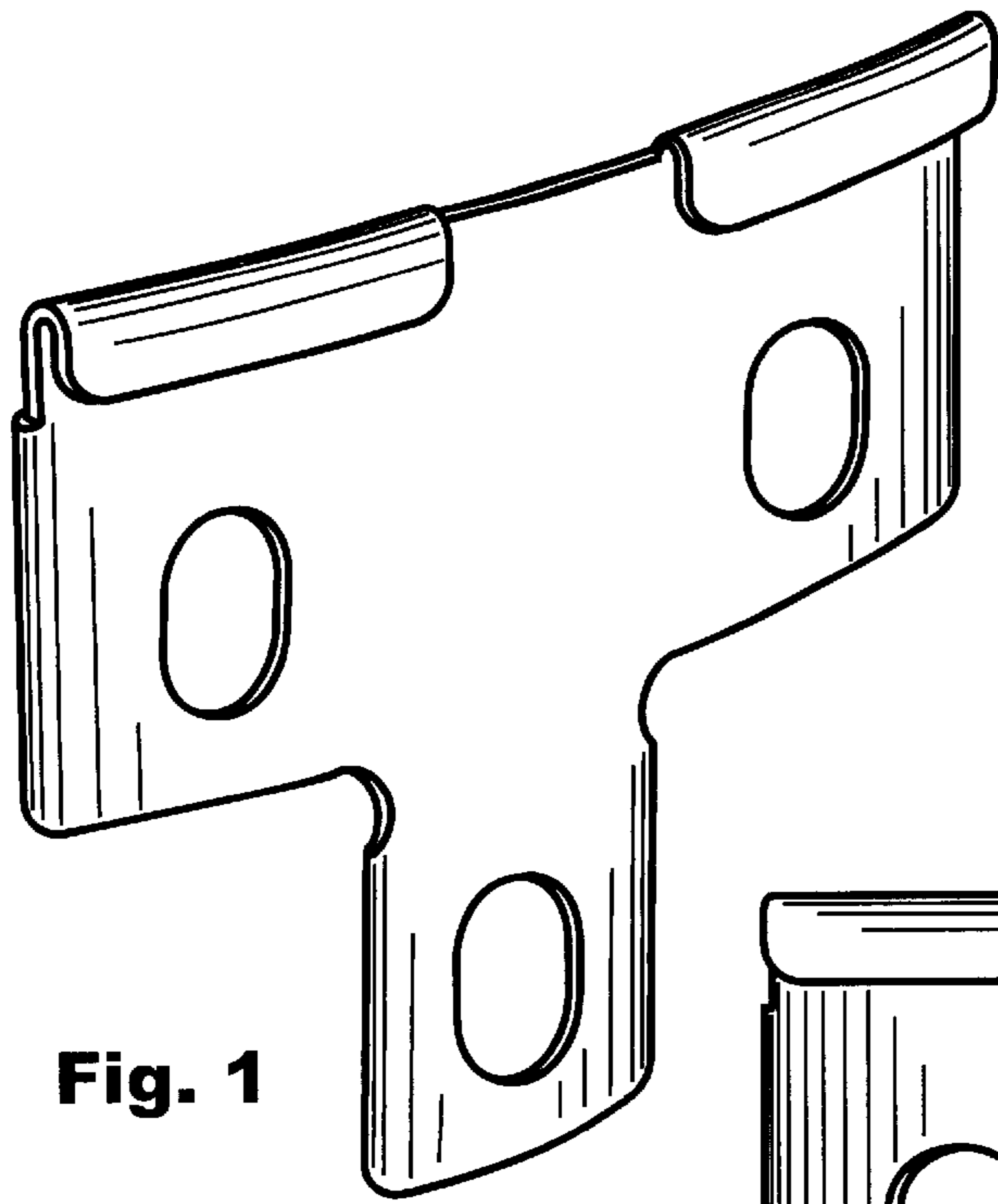
**DESCRIPTION**

FIG. 1 is a perspective view of a curved double-channel pulling device showing my new design; FIG. 2 is a front view thereof; FIG. 3 is a back view thereof; FIG. 4 is a left side view thereof; FIG. 5 is a top view thereof; and, FIG. 6 is a bottom view thereof.

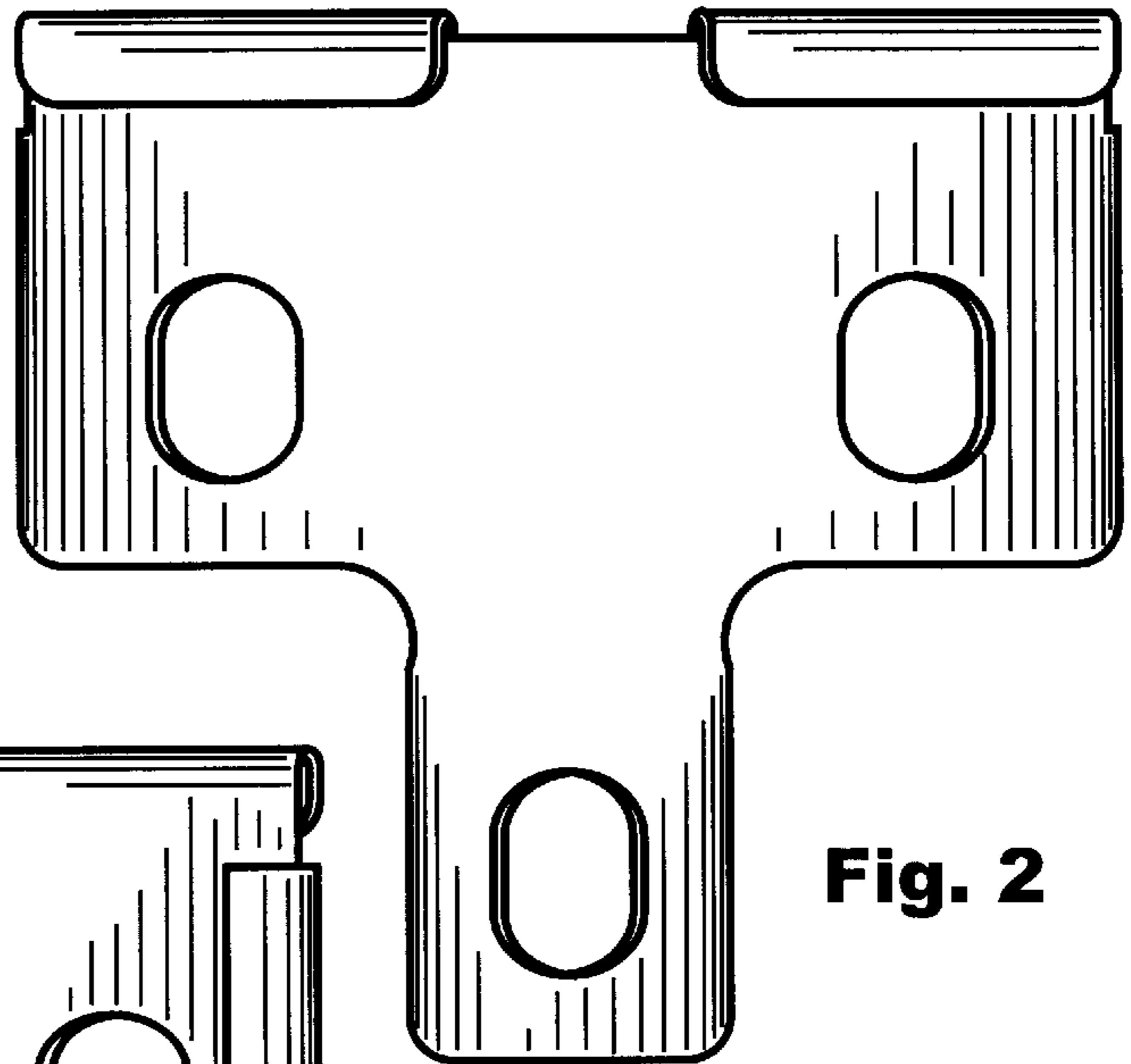
The right side view is a mirror image of FIG. 4.

**1 Claim, 2 Drawing Sheets**

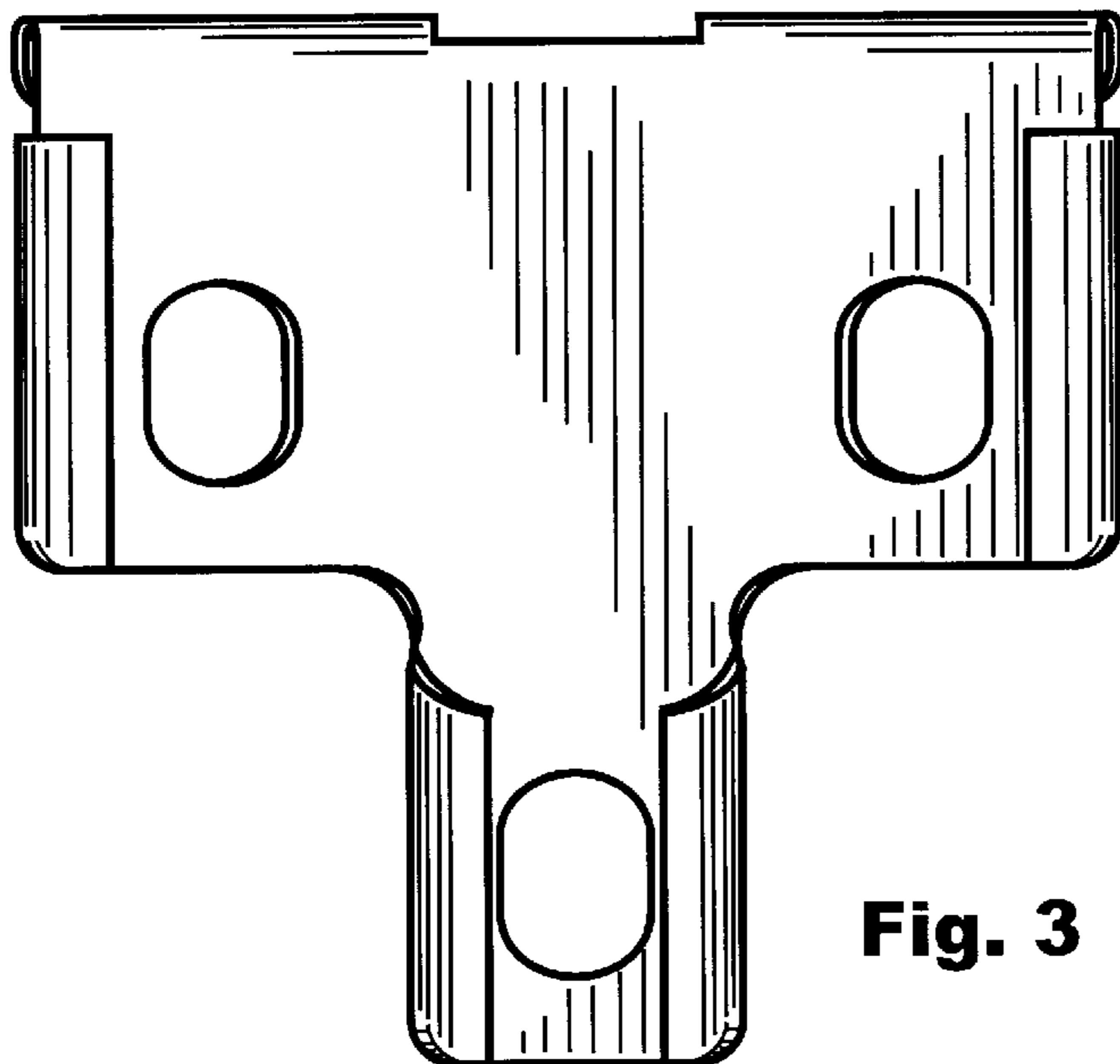




**Fig. 1**



**Fig. 2**



**Fig. 3**



**Fig. 4**



**Fig. 5**



**Fig. 6**