



US00D486705S

(12) **United States Design Patent**  
**McShane**

(10) **Patent No.:** **US D486,705 S**

(45) **Date of Patent:** **\*\* Feb. 17, 2004**

(54) **ADJUSTABLE SLEEVE ARMS WITH  
ADJUSTMENT RODS FOR HARMONIC  
BALANCER INSTALLATION**

**DESCRIPTION**

(76) **Inventor:** **Paul W. B. McShane**, 2136 S. Pine St.,  
Janesville, WI (US) 54546

(\*\*) **Term:** **14 Years**

(21) **Appl. No.:** **29/175,503**

(22) **Filed:** **Feb. 6, 2003**

(51) **LOC (7) Cl.** ..... **08-05**

(52) **U.S. Cl.** ..... **D8/14**

(58) **Field of Search** ..... D8/14, 355; 29/264

(56) **References Cited**

**U.S. PATENT DOCUMENTS**

4,457,061 A \* 7/1984 Eason ..... 29/264  
D382,194 S \* 8/1997 Hodges ..... D8/355

\* cited by examiner

*Primary Examiner*—Holly Baynham

(57) **CLAIM**

The ornamental design for an adjustable sleeve arms with adjustment rods for harmonic balancer installation, as shown and described.

FIG. 1 is a top elevational view of an adjustable sleeve arms with adjustment rods for harmonic balancer installation showing my new design;

FIG. 2 is an end plan view of FIG. 1. thereof;

FIG. 3 is a right side plan view thereof;

FIG. 4 is a left side plan view thereof;

FIG. 5 is an alternative modified to elevational view of FIG. 1 showing my new design therefor;

FIG. 6 is an end plan view of FIG. 5 therefor;

FIG. 7 is a right side plan view thereof;

FIG. 8 is a left side plan view thereof;

FIG. 9 is a side view of the adjustable sleeve arms without the adjustment arms therefor;

FIG. 10 is a top plan view of FIG. 9 in a fully extended condition therefor; and,

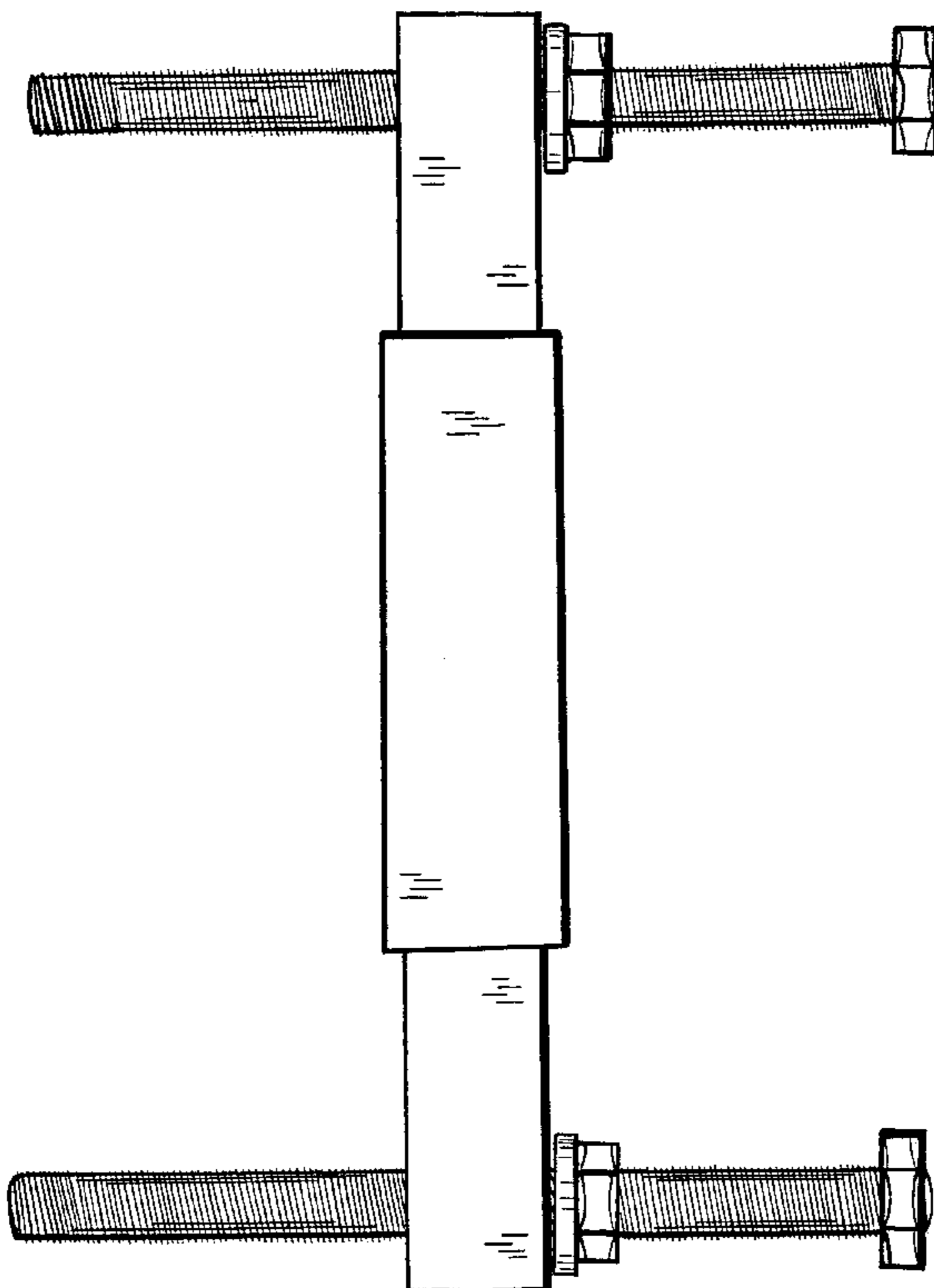
FIG. 11 is a side plan view of FIG. 9 shown in a retractable condition therefor.

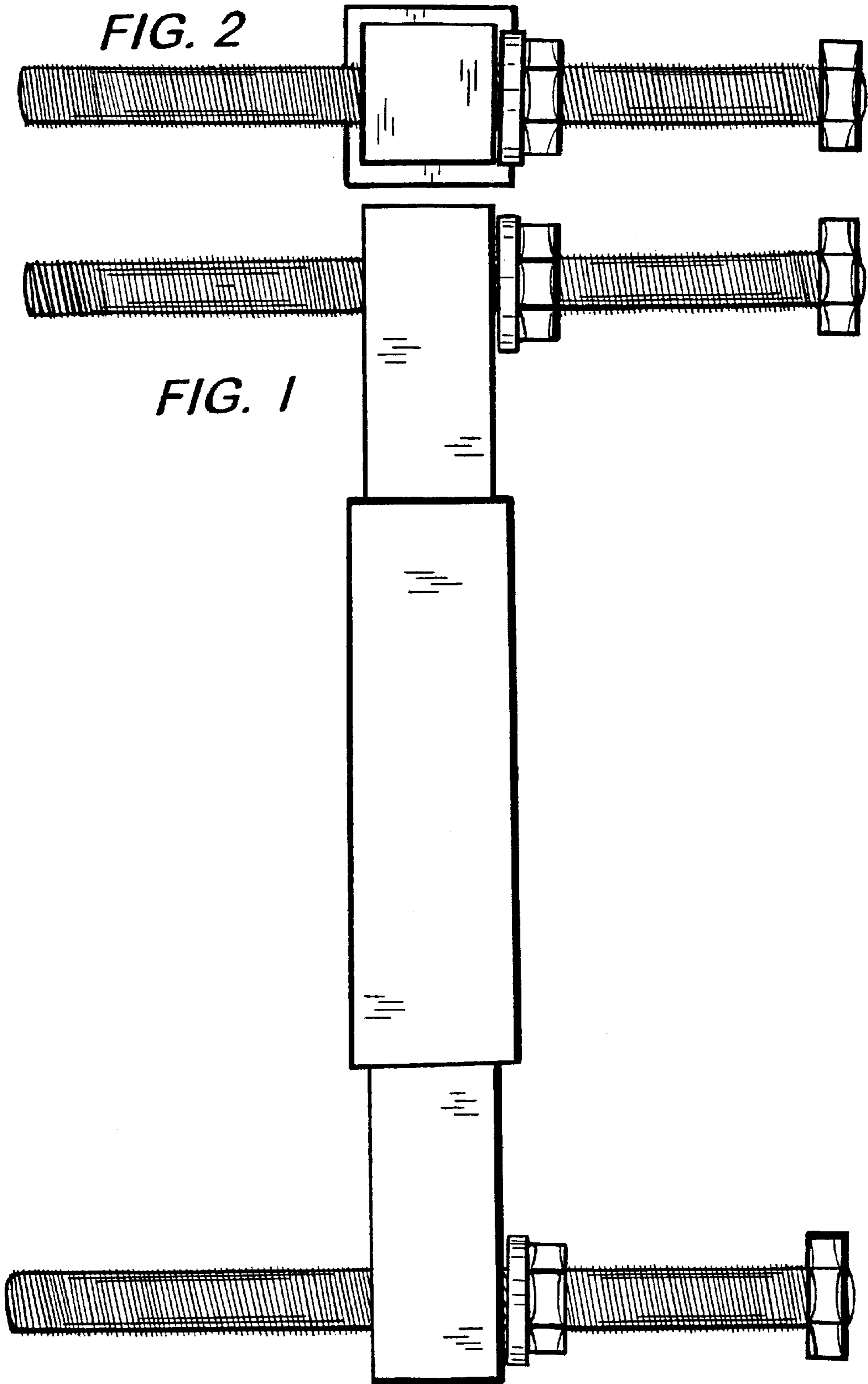
The diametrically opposing end views of FIGS. 2 & 6 are mirror images thereof.

The bottom view of FIGS. 1 and 5 is a mirror image thereof.

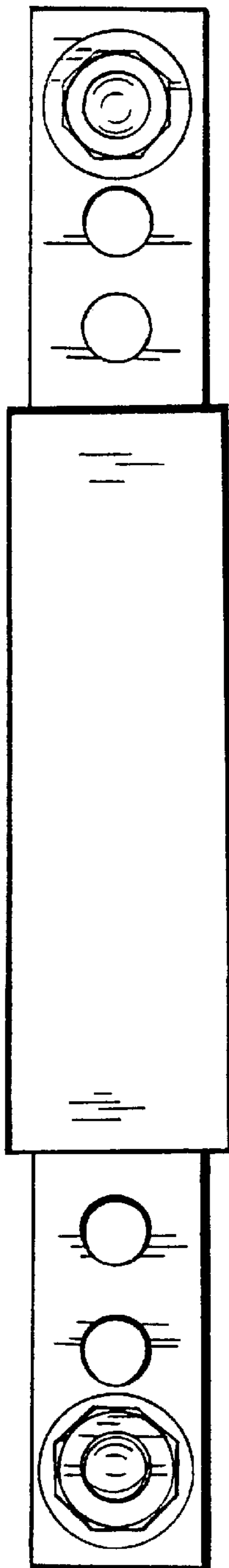
The views of FIGS. 9–11 have been shown without the adjusting elements for ease of illustration.

**1 Claim, 4 Drawing Sheets**

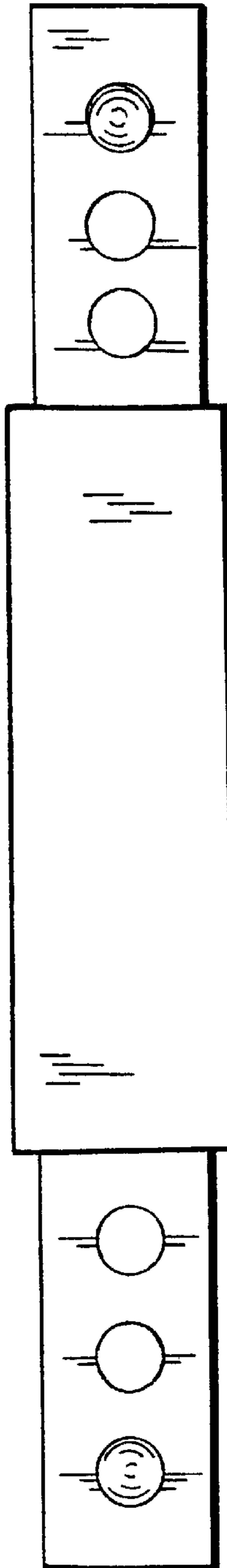




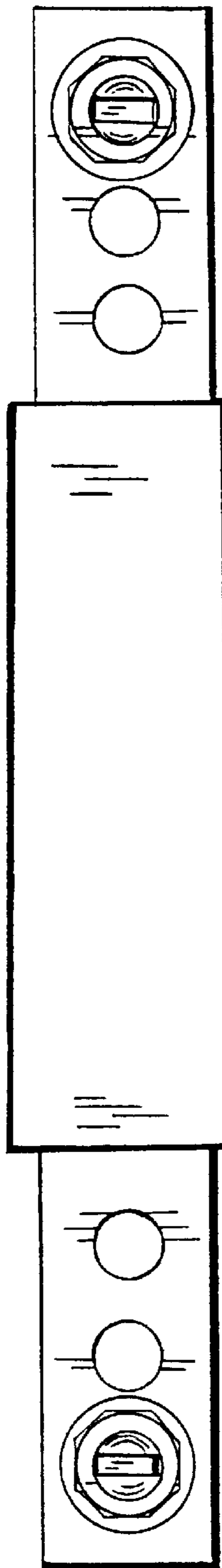
**FIG. 3**



**FIG. 4**



**FIG. 7**



**FIG. 8**

