



US00D486703S

(12) **United States Design Patent**
Settele

(10) **Patent No.:** **US D486,703 S**

(45) **Date of Patent:** **** Feb. 17, 2004**

(54) **CULINARY UTENSIL**

(75) Inventor: **Ignaz Settele**, Kaufbeuren (DE)

(73) Assignee: **Maxpat Trading & Marketing (Far East) Limited** (HK)

(**) Term: **14 Years**

(21) Appl. No.: **29/175,016**

(22) Filed: **Jan. 28, 2003**

(51) **LOC (7) Cl.** **07-04**

(52) **U.S. Cl.** **D7/695**

(58) **Field of Search** D7/693, 695, 393,
D7/395, 401.2; 16/110.1, 430, 431; 30/115,
116, 113.3, 123.5, 123.7, 278, 280, 282,
279.6, 279.4; 99/584, 588, 542-545

(56) **References Cited**

U.S. PATENT DOCUMENTS

691,861 A * 1/1902 Hemstrom 30/280
1,156,652 A * 10/1915 Aiken 30/280
2,355,312 A * 8/1944 Lui 99/588

D181,941 S * 1/1958 Murphree D7/695
3,328,877 A * 7/1967 Brown 30/280
D435,202 S * 12/2000 Ancona et al. D7/695

* cited by examiner

Primary Examiner—Terry A. Wallace

(74) *Attorney, Agent, or Firm*—Ostrolenk, Faber, Gerb & Soffen, LLP

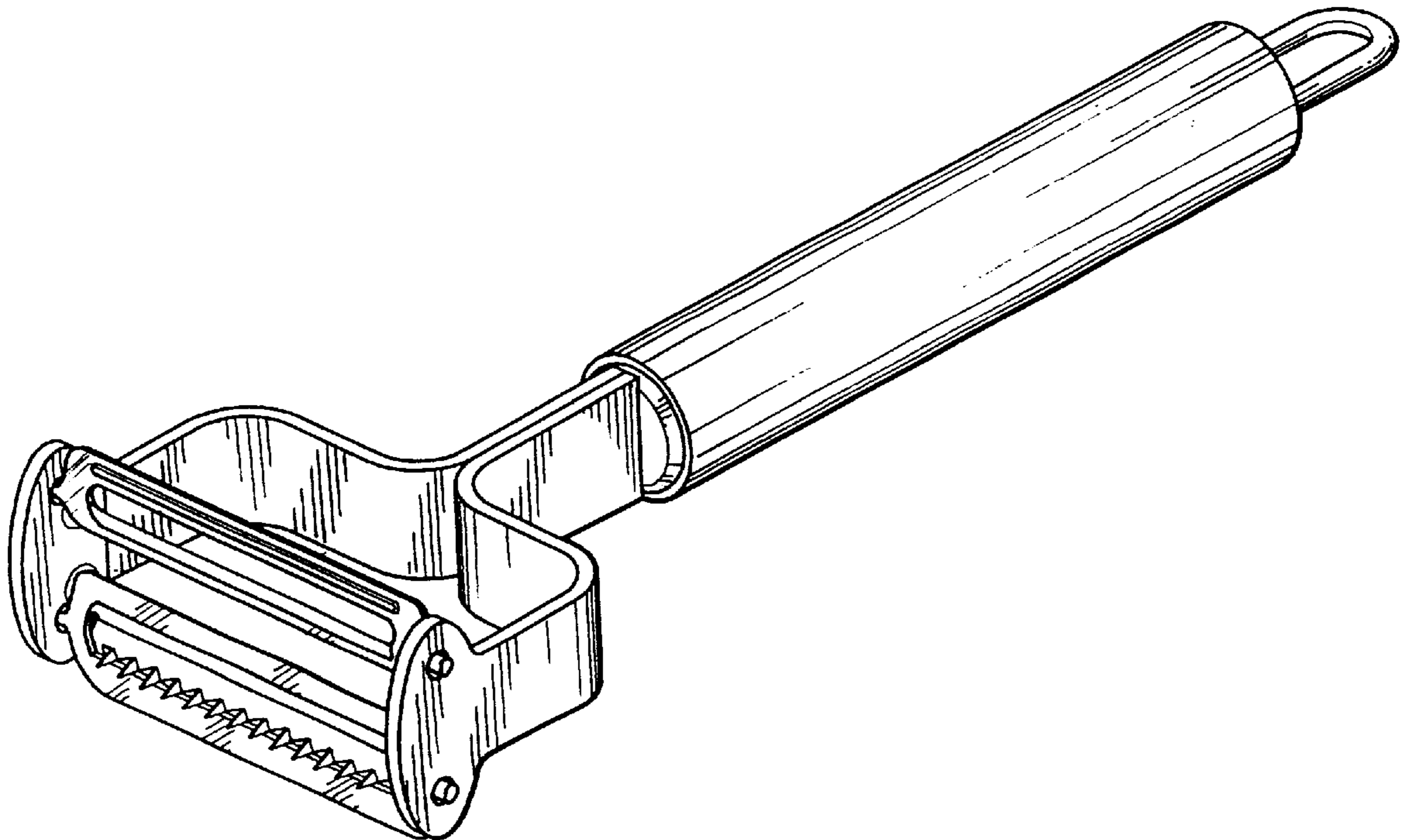
(57) **CLAIM**

The ornamental design for a “culinary utensil”, as shown and described.

DESCRIPTION

FIG. 1 is a front perspective view of a “culinary utensil” showing my new design;
FIG. 2 is a view from above thereof;
FIG. 3 is a view from below thereof;
FIG. 4 is a side view thereof;
FIG. 5 is an opposite side view thereof;
FIG. 6 is a front view thereof; and,
FIG. 7 is a rear view thereof.

1 Claim, 6 Drawing Sheets



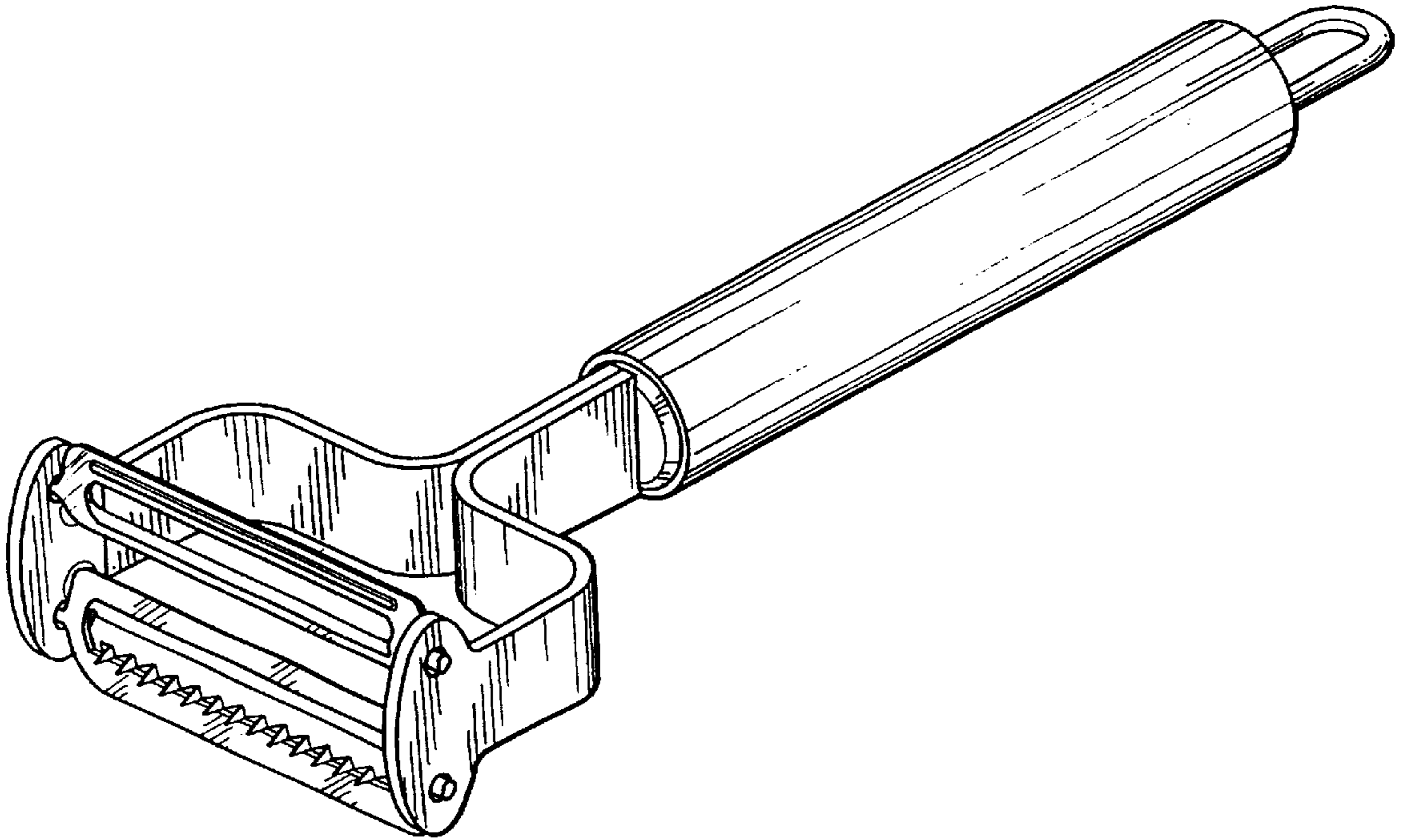


FIG. 1

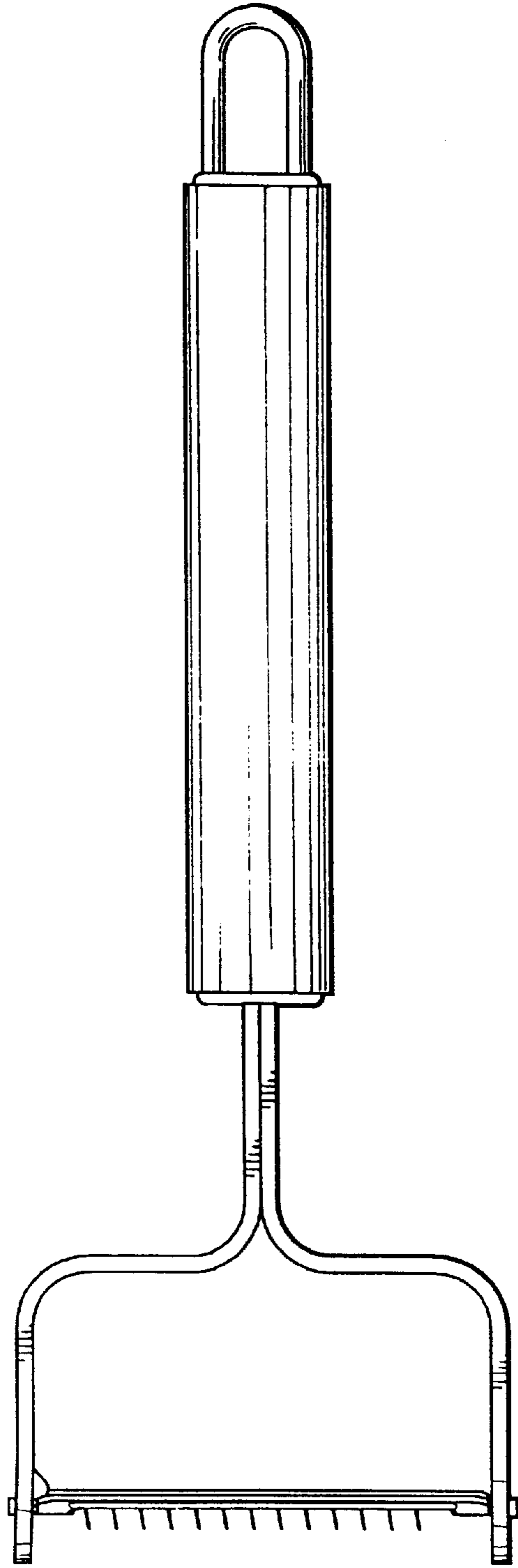


FIG. 2

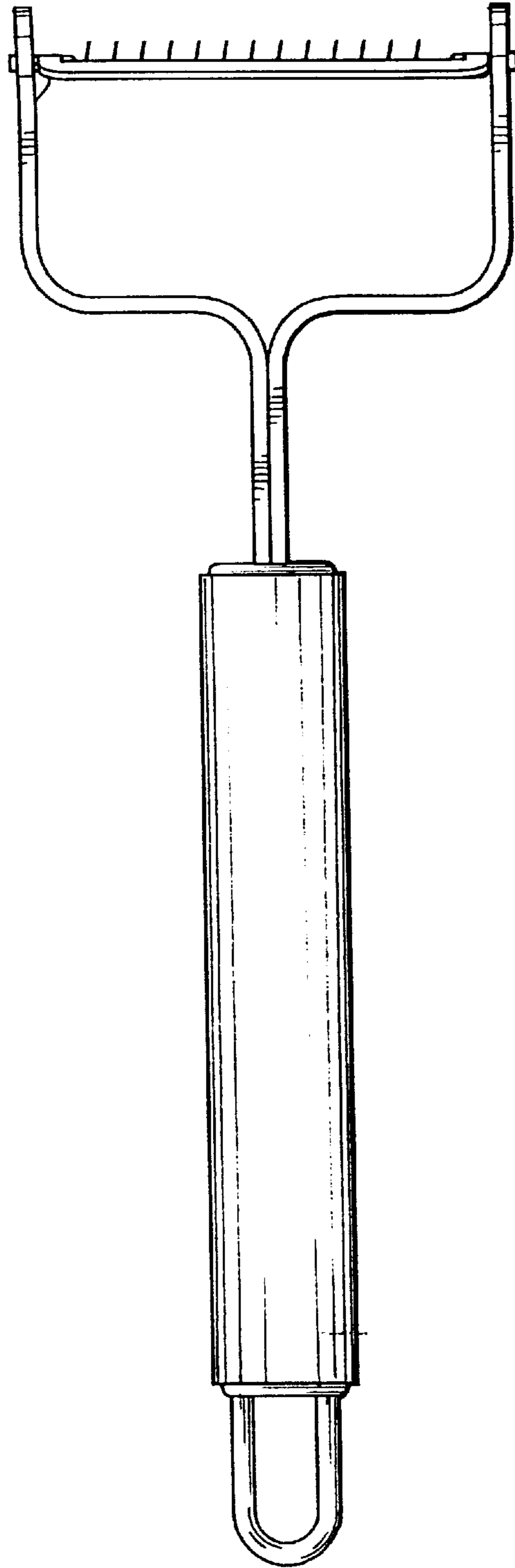


FIG. 3

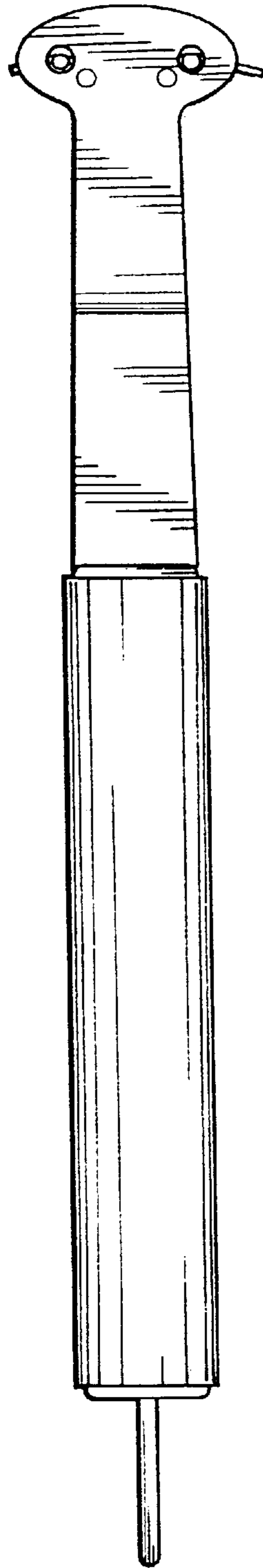


FIG. 4

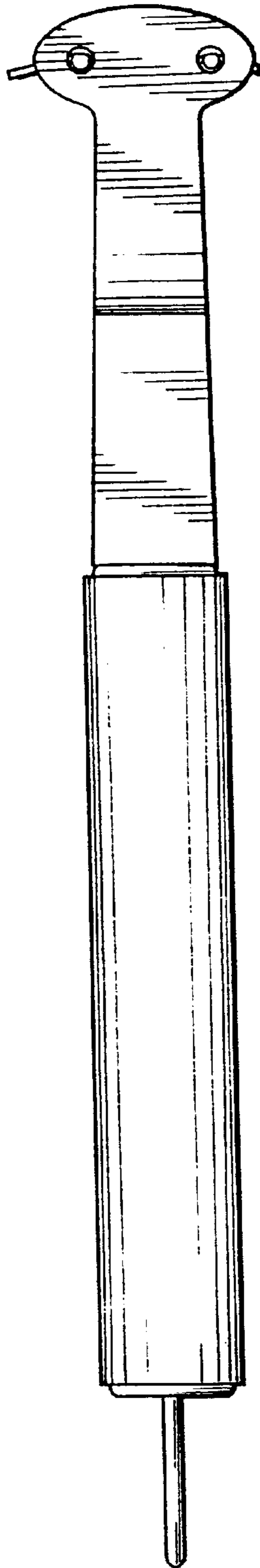


FIG. 5

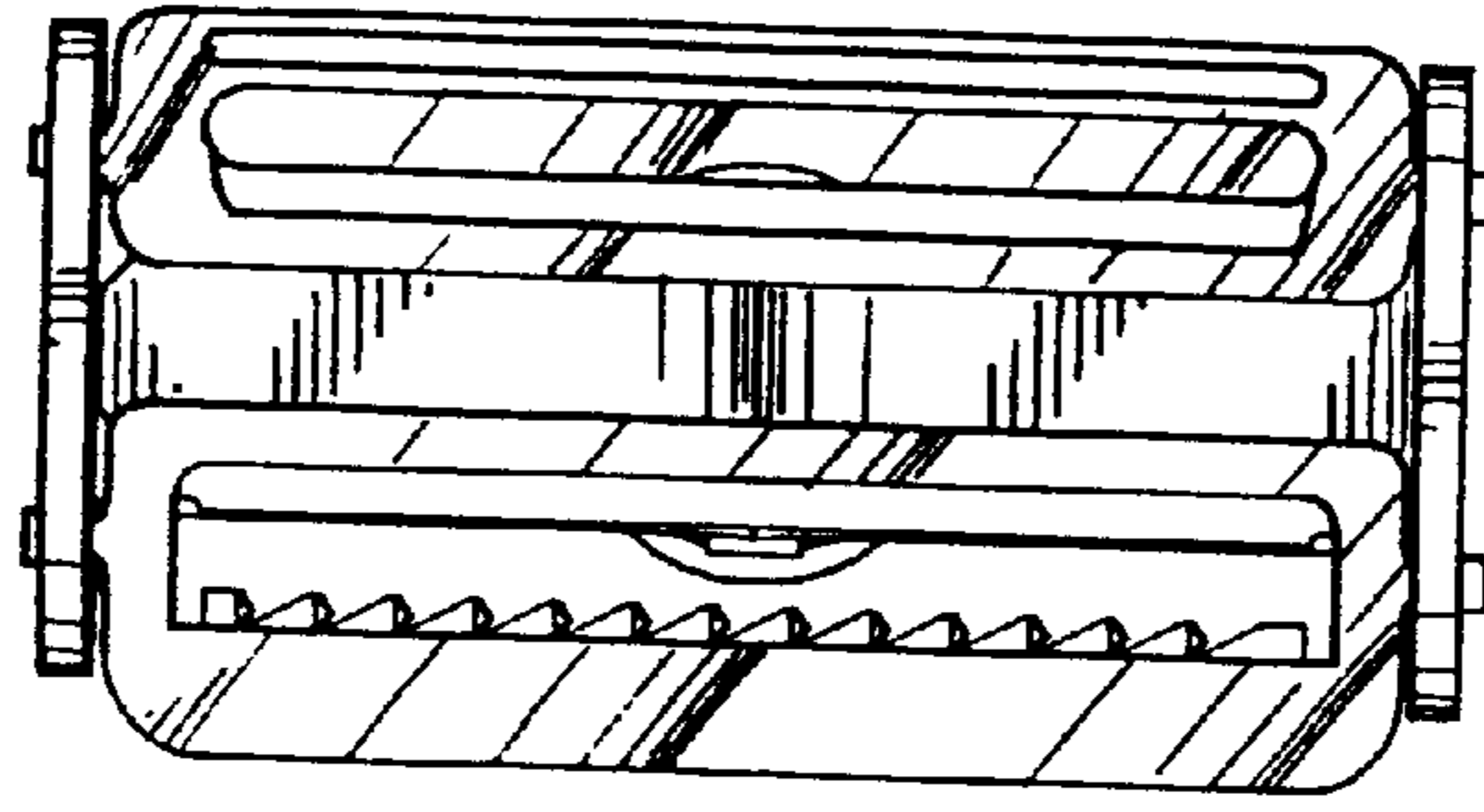


FIG. 6

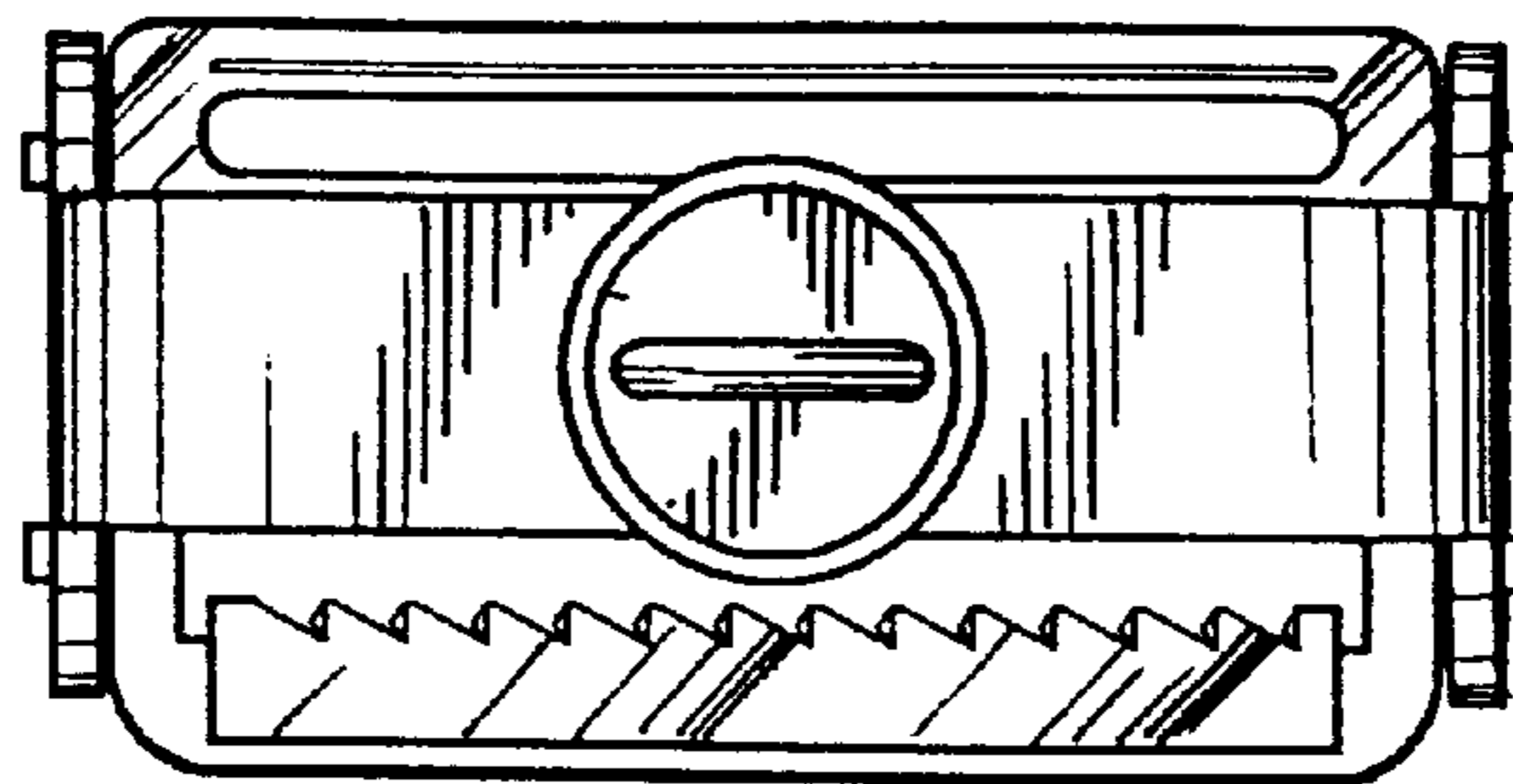


FIG. 7