



US00D486700S

(12) **United States Design Patent**  
**Wright**

(10) **Patent No.:** **US D486,700 S**

(45) **Date of Patent:** **\*\* Feb. 17, 2004**

(54) **ICE BUCKET WITH ACCESSORY**

(75) Inventor: **Randy Wright**, Hayward Hills, CA  
(US)

(73) Assignee: **Taymor Industries Ltd.**, Delta (CA)

(\*\*) Term: **14 Years**

(21) Appl. No.: **29/176,475**

(22) Filed: **Feb. 24, 2003**

(51) **LOC (7) Cl.** ..... **07-01**

(52) **U.S. Cl.** ..... **D7/603**

(58) **Field of Search** ..... D7/601-604, 612-615,  
D7/629; 62/371, 372, 457.1, 457.4, 457.5,  
457.8; 215/12.2, 13.1; 220/737, 739, 915.1,  
915.2

(56) **References Cited**

**U.S. PATENT DOCUMENTS**

3,977,552 A *	8/1976	Lombardo	.....	215/12.2
D260,066 S *	8/1981	Dark	.....	D7/603
D260,067 S *	8/1981	Dark	.....	D7/603
D279,533 S *	7/1985	Gildart	.....	D7/603
D407,608 S *	4/1999	Carrere	.....	D7/603

\* cited by examiner

*Primary Examiner*—Terry A. Wallace

(74) *Attorney, Agent, or Firm*—Reed Smith LLP

(57) **CLAIM**

The ornamental design for an ice bucket with accessory, as shown and described.

**DESCRIPTION**

FIG. 1 is a perspective view of an embodiment of an ice bucket with accessory in accordance with my new design.

FIG. 2 is a side view of the ice bucket with accessory shown in FIG. 1.

FIG. 3 is the opposite side view of the ice bucket with accessory shown in FIG. 1.

FIG. 4 is a top view of the ice bucket with accessory shown in FIG. 1.

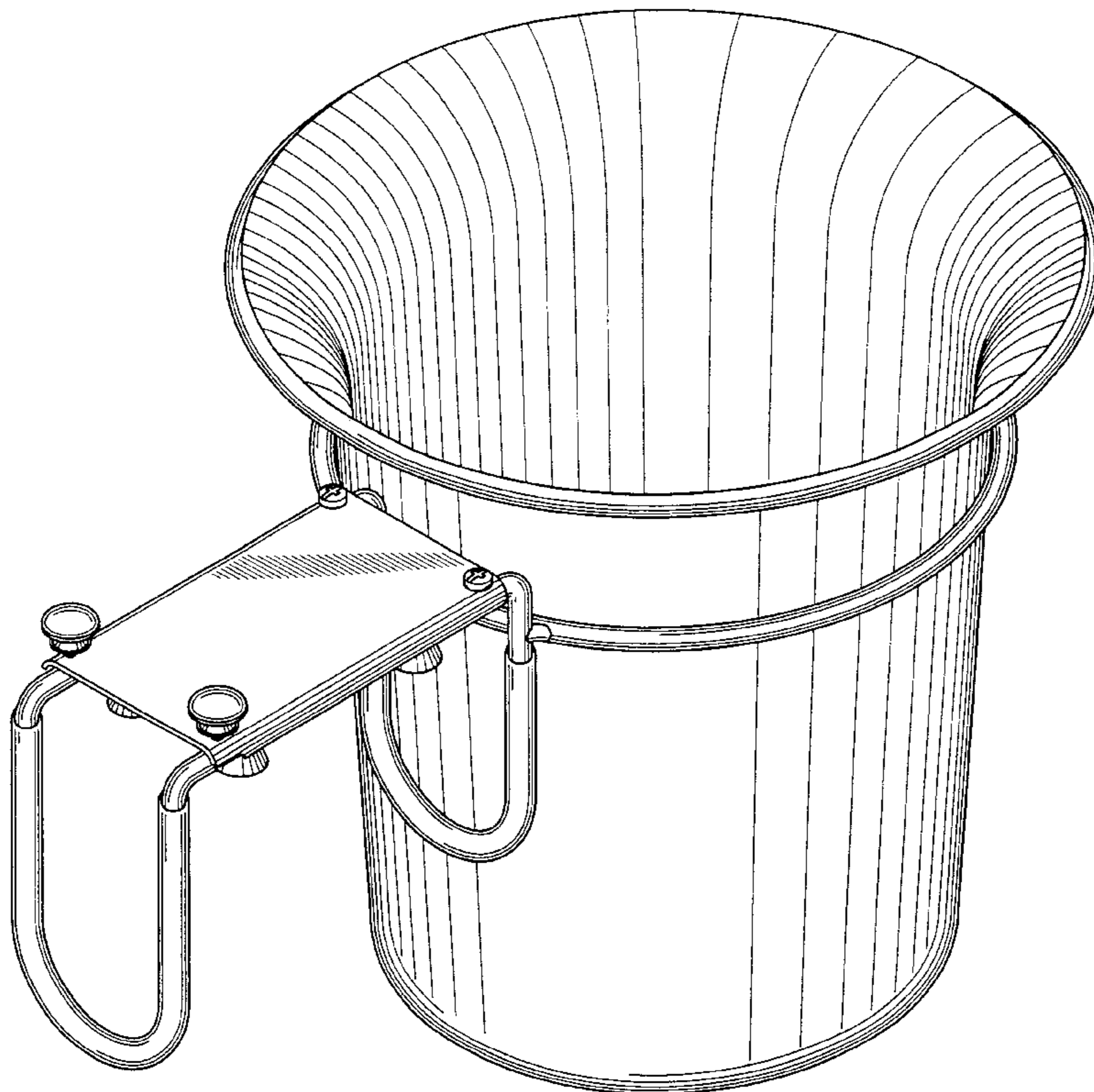
FIG. 5 is a bottom view of the ice bucket with accessory shown in FIG. 1.

FIG. 6 is a front view of the ice bucket with accessory shown in FIG. 1.

FIG. 7 is a back view of the ice bucket with accessory shown in FIG. 1; and,

FIG. 8 is a perspective view of the accessory shown in FIG. 1, shown separately for clarity of illustration.

**1 Claim, 5 Drawing Sheets**



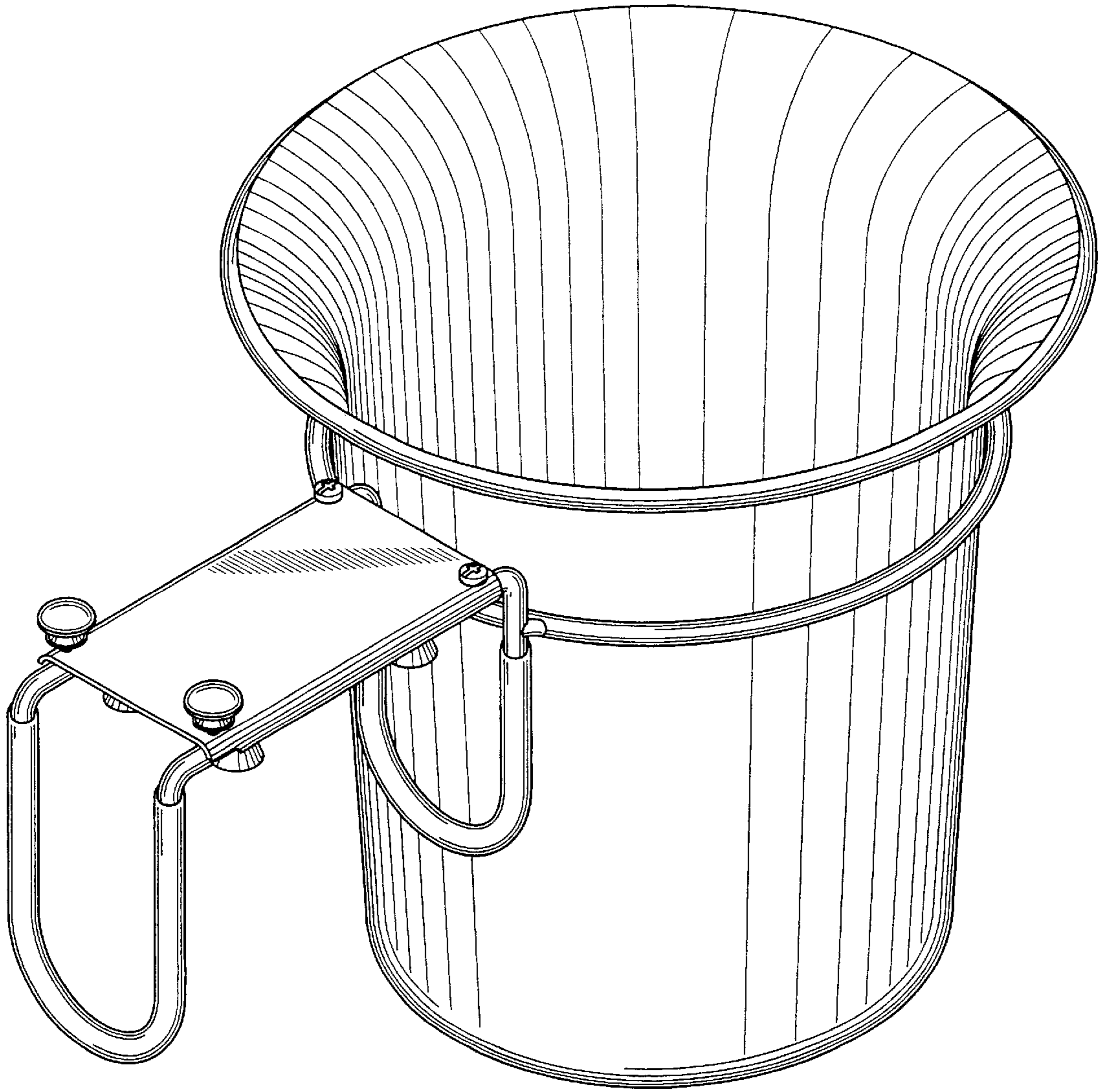


FIG. 1

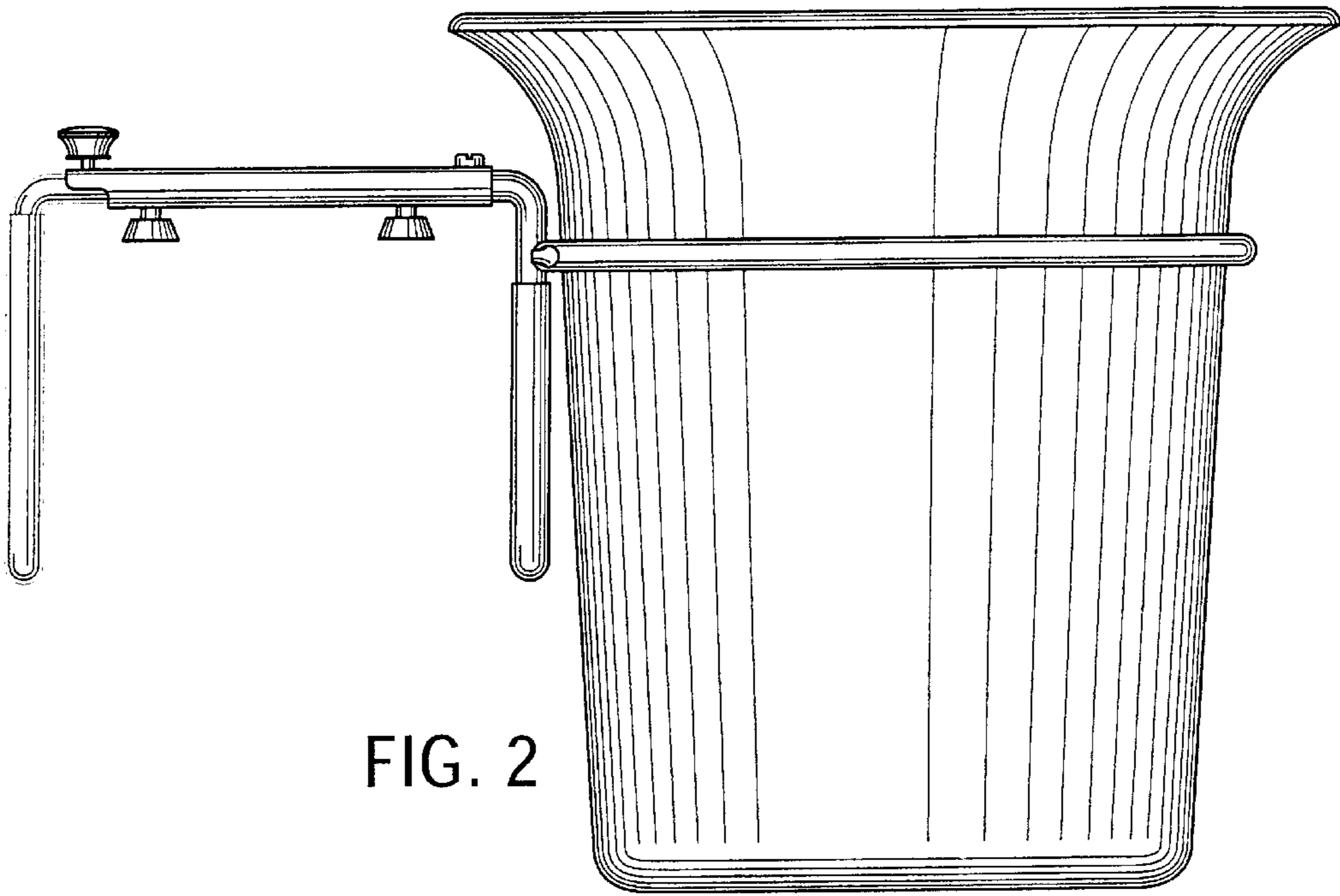


FIG. 2

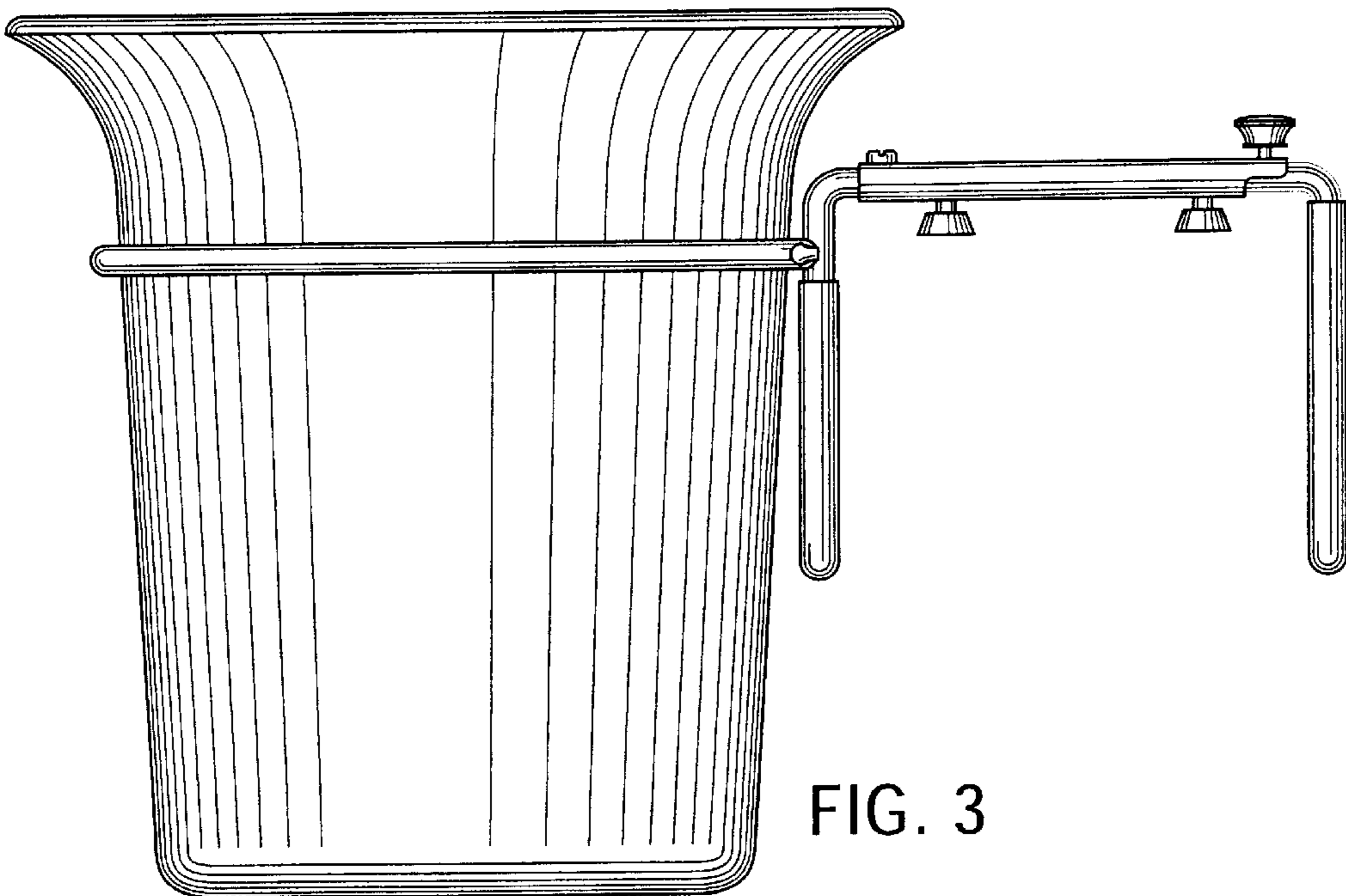


FIG. 3

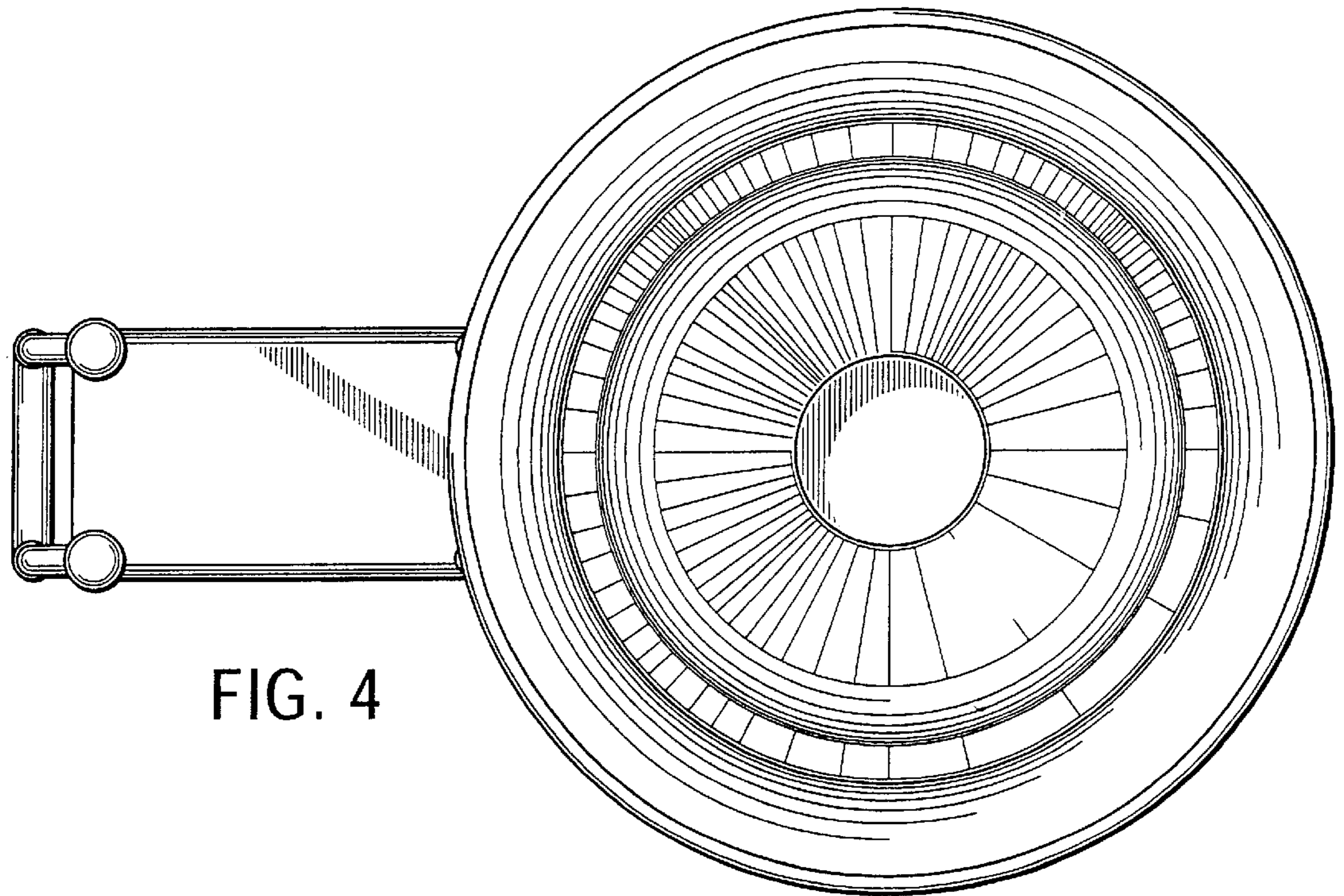


FIG. 4

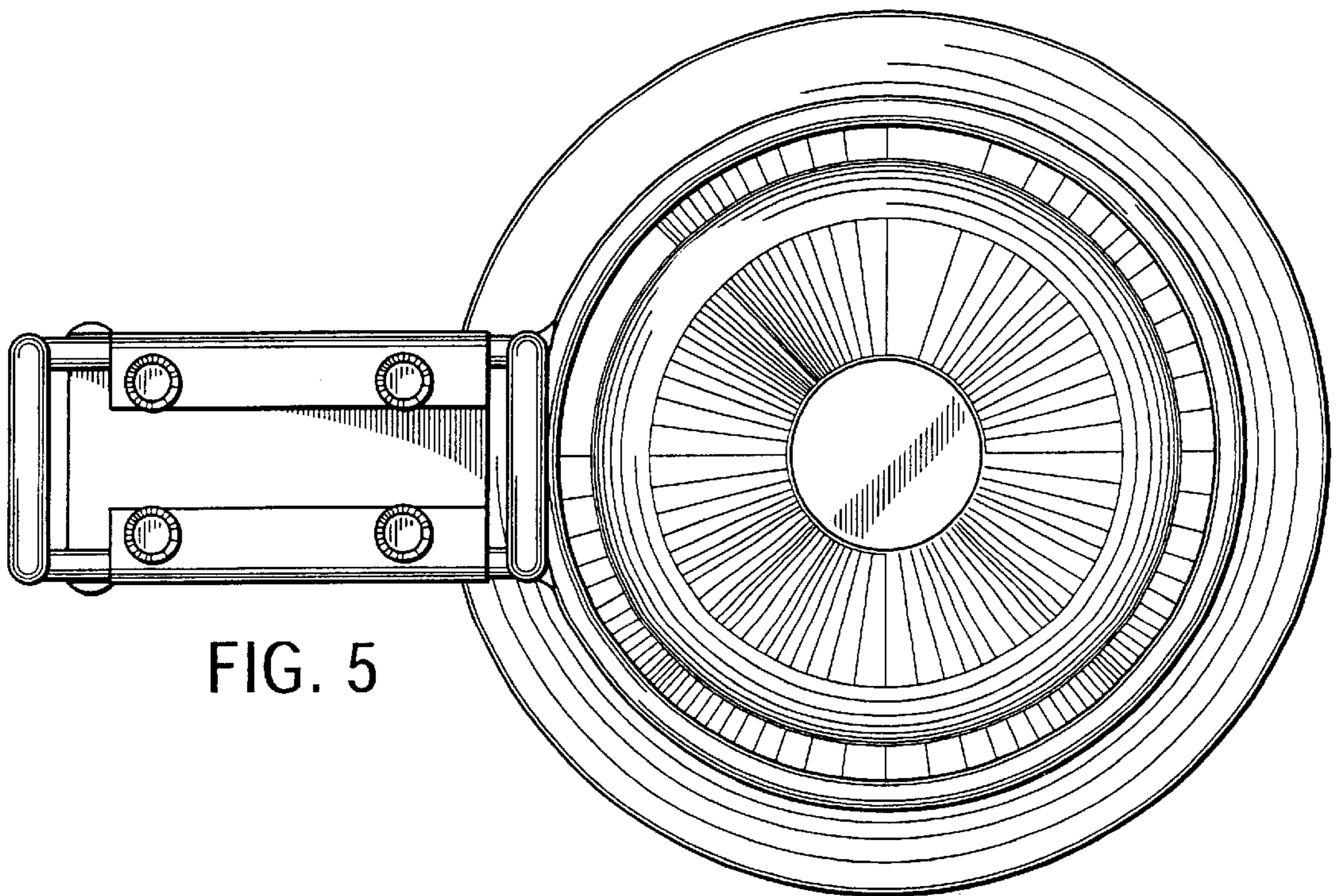


FIG. 5

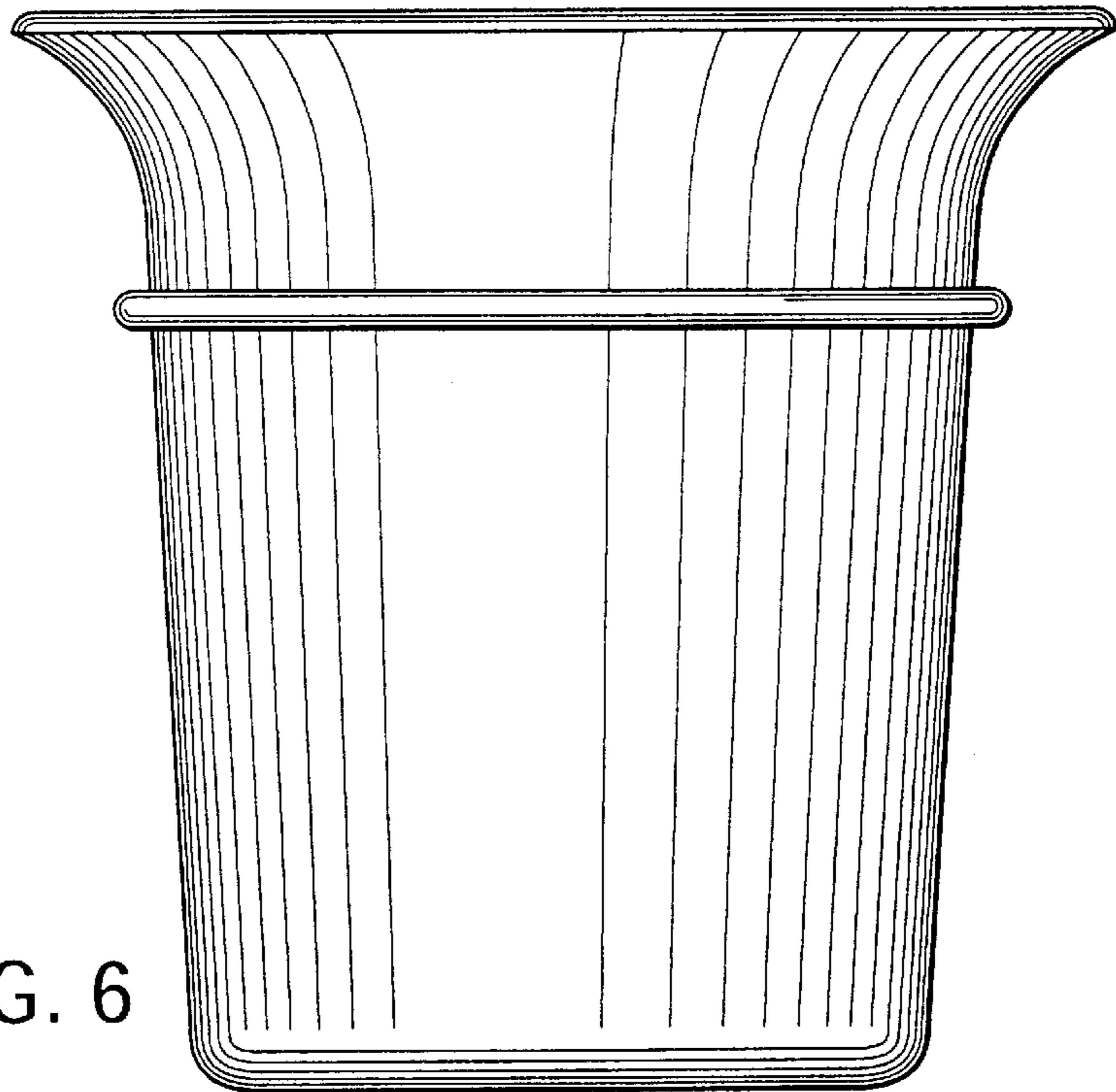


FIG. 6

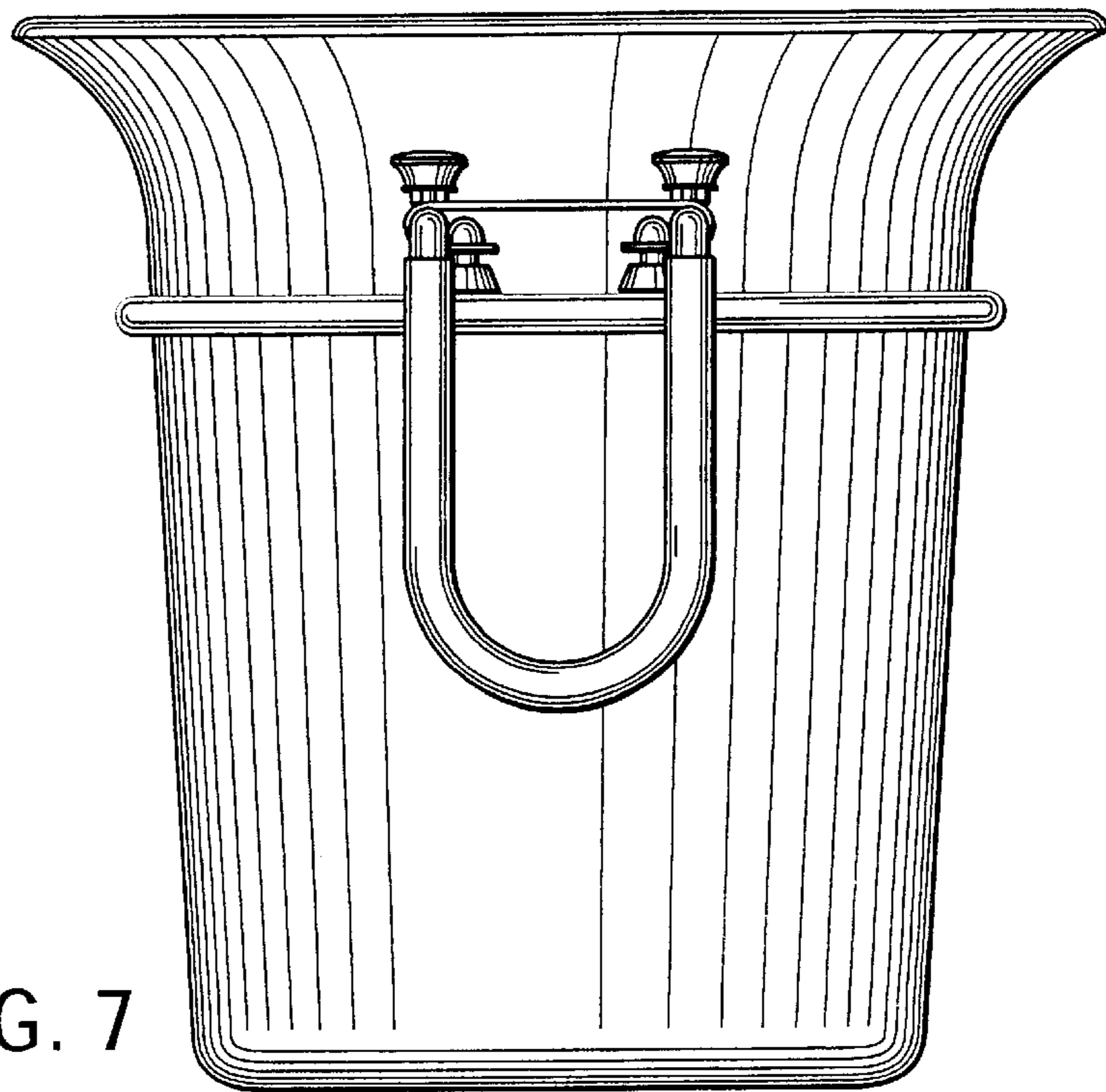


FIG. 7

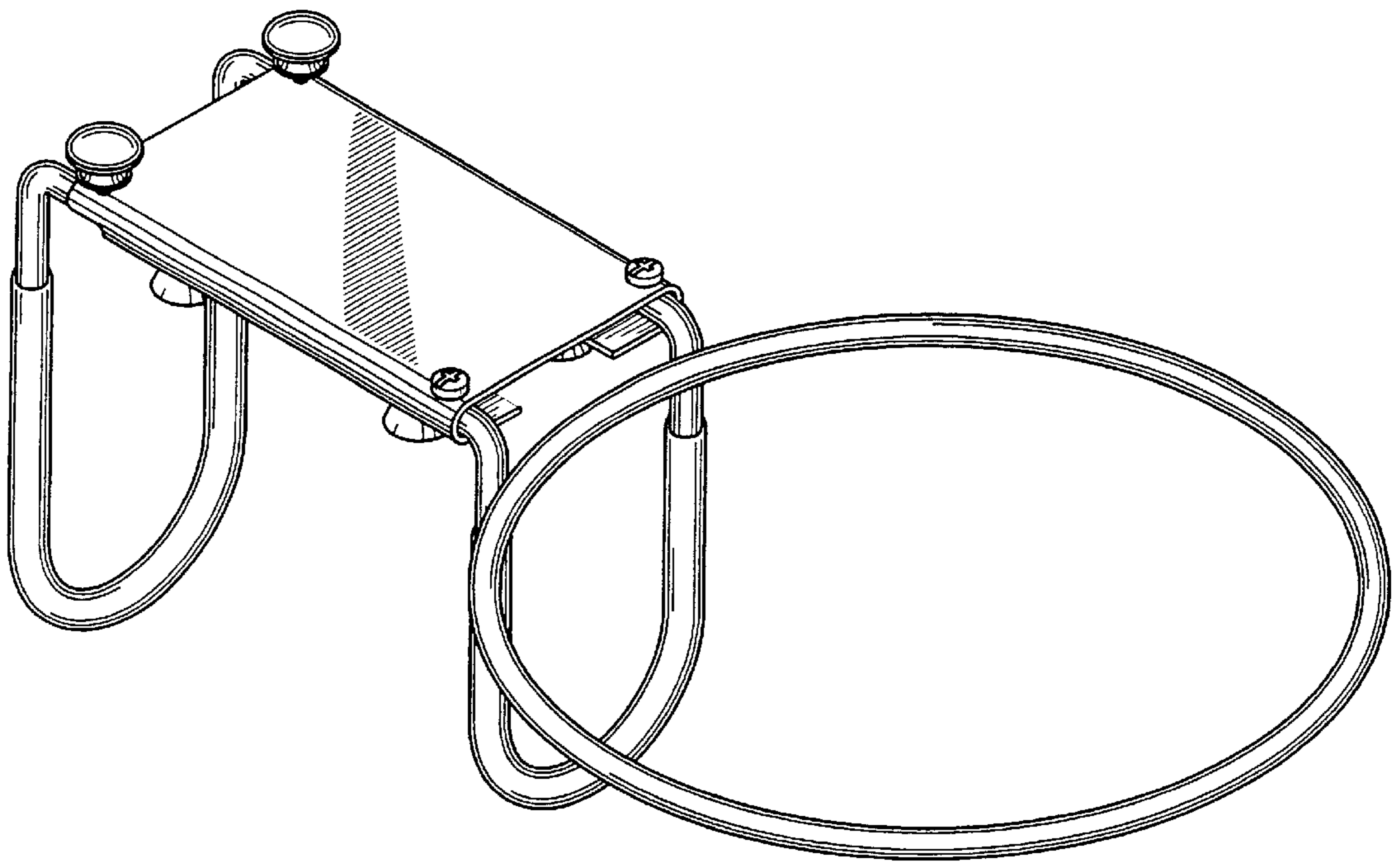


FIG. 8